



US00D556094S

(12) **United States Design Patent**
May

(10) **Patent No.:** **US D556,094 S**

(45) **Date of Patent:** **** Nov. 27, 2007**

(54) **FUEL TANK SKIDPLATE**

2002/0050413 A1* 5/2002 Renault 180/69.1
2006/0113747 A1* 6/2006 Grow 280/304.3

(76) Inventor: **Alex May**, 3 Spring La., Green Valley,
CA (US) 94534

* cited by examiner

(**) Term: **14 Years**

Primary Examiner—Ian Simmons

Assistant Examiner—Linda Brooks

(21) Appl. No.: **29/252,432**

(74) *Attorney, Agent, or Firm*—Raymond M. Galasso;
Galasso & Associates, LP

(22) Filed: **Jan. 23, 2006**

(51) **LOC (8) Cl.** **12-11**

(57) **CLAIM**

(52) **U.S. Cl.** **D12/126**

(58) **Field of Classification Search** D12/114,
D12/126, 223, 110, 218; 180/219, 68.5,
180/69.1, 232, 299, 312; 280/770, 781, 204.3,
280/288.4, 833, 835; 296/204, 187.03; 123/195 C
See application file for complete search history.

The ornamental design for a fuel tank skidplate, as shown.

DESCRIPTION

(56) **References Cited**

FIG. 1 is a perspective view of a fuel tank skidplate showing
my new design;

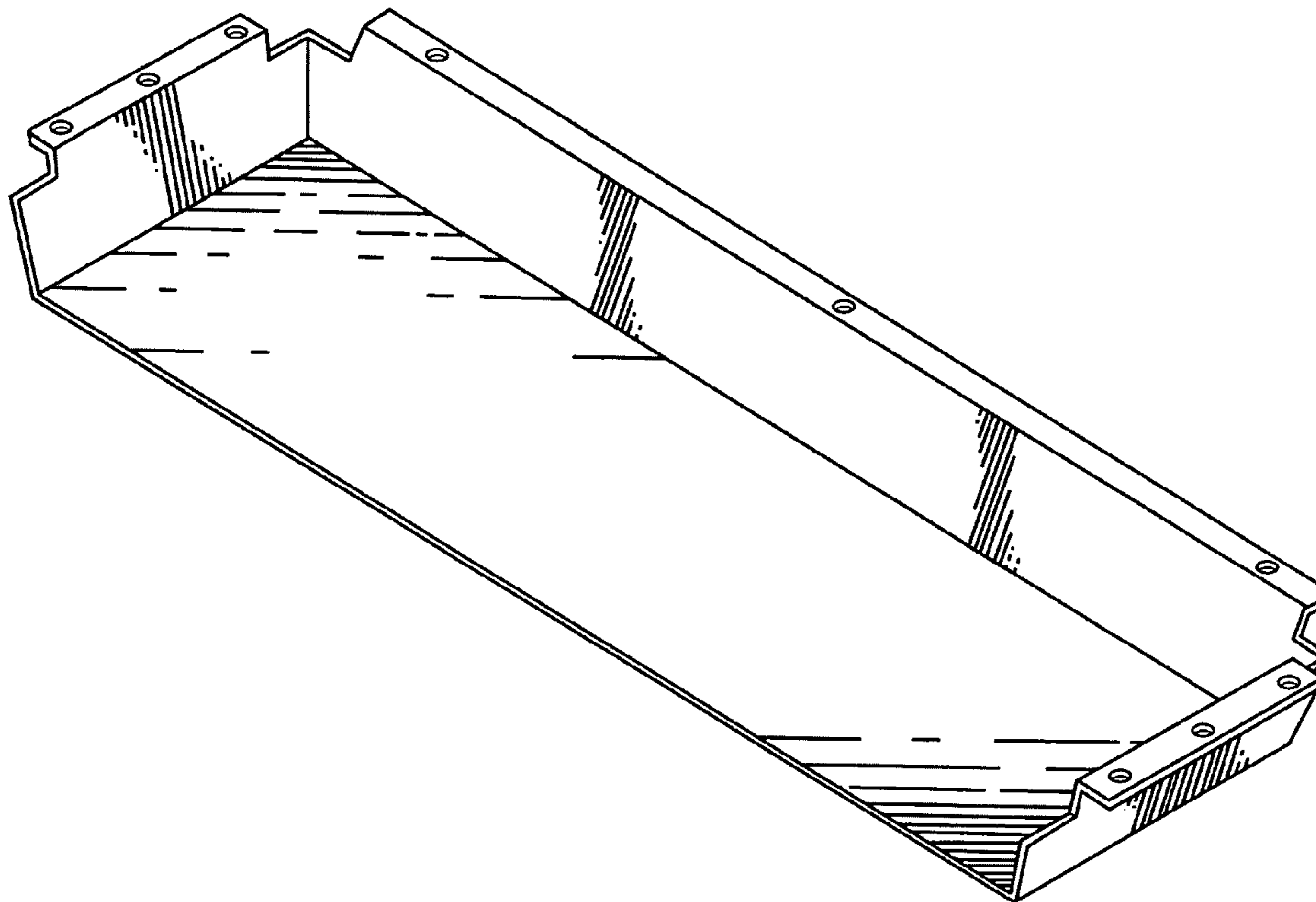
FIG. 2 is a top plan view thereof; and,

FIG. 3 is a back plan view thereof.

U.S. PATENT DOCUMENTS

3,486,737 A 12/1969 Campbell
D265,308 S * 7/1982 Zimmer, Jr. D12/190

1 Claim, 3 Drawing Sheets



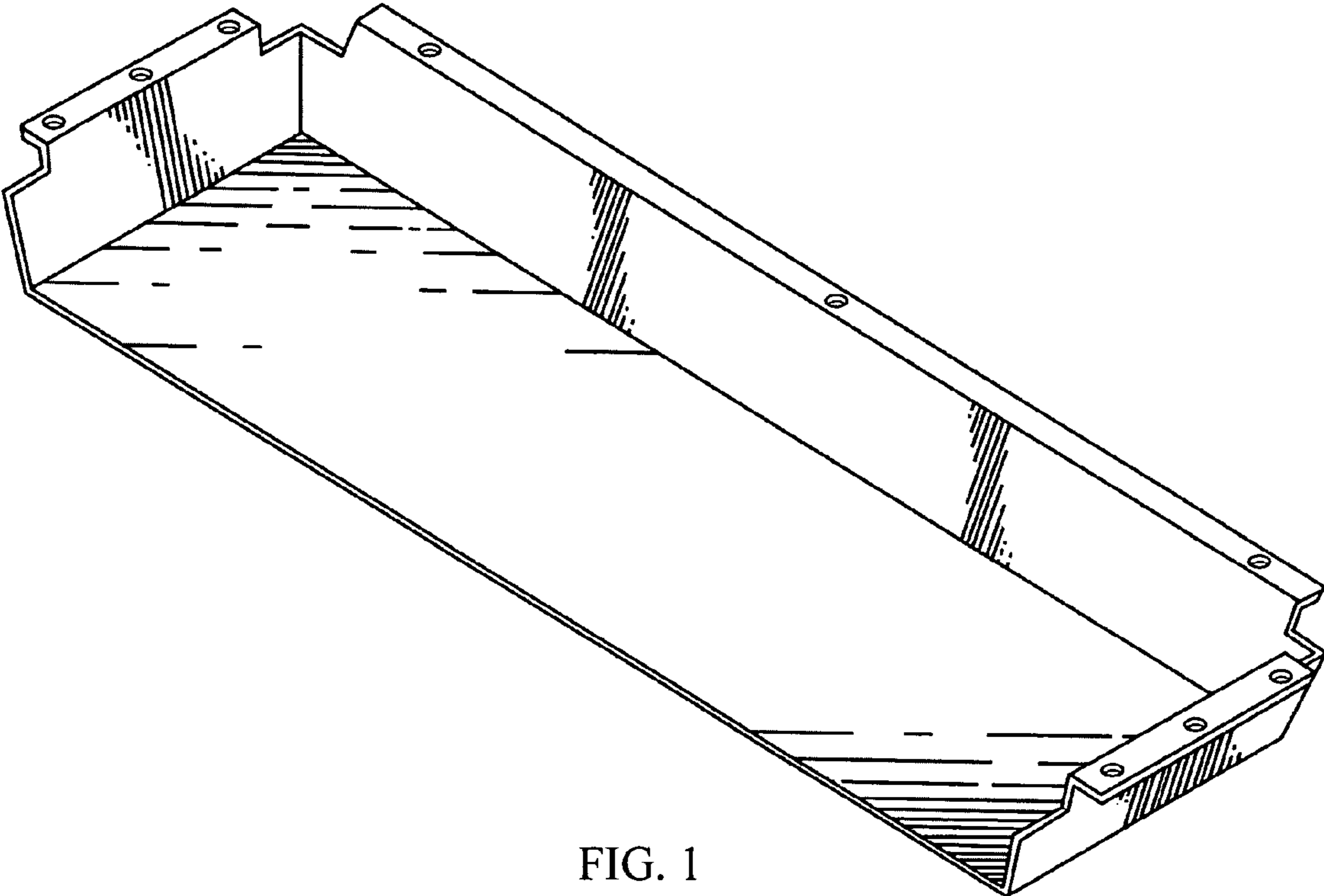


FIG. 1

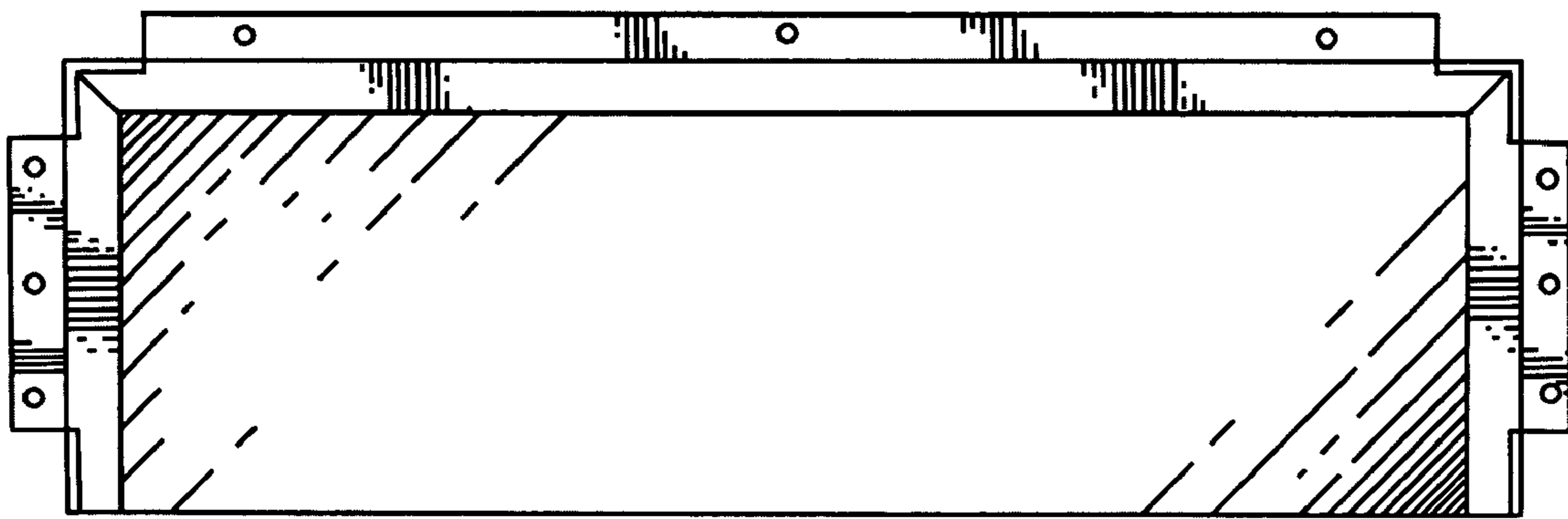


FIG. 2

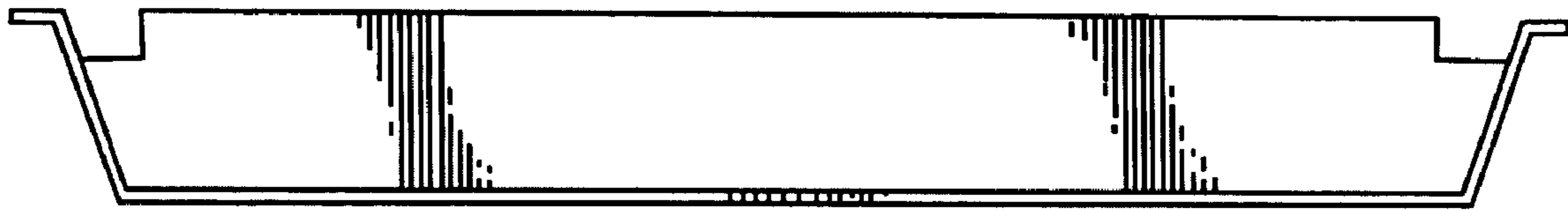


FIG. 3