



US00D556091S

(12) **United States Design Patent**  
**Racich**

(10) **Patent No.:** **US D556,091 S**

(45) **Date of Patent:** **\*\* Nov. 27, 2007**

(54) **ICE-CREAM CONE TRAILER**

(76) Inventor: **Bozidar Racich**, 4111 W. 5th St.,  
Lumberton, NC (US) 28358

(\*\*) Term: **14 Years**

(21) Appl. No.: **29/281,240**

(22) Filed: **Jun. 19, 2007**

(51) **LOC (8) Cl.** ..... **12-10**

(52) **U.S. Cl.** ..... **D12/102**

(58) **Field of Classification Search** ..... D12/101-106,  
D12/95, 97, 83; 280/475, 656, 763.1, 482,  
280/462; 206/181-183.1, 24.31, 156, 190;  
D25/10, 19, 16; D20/37; D34/19-20

See application file for complete search history.

(56) **References Cited**

U.S. PATENT DOCUMENTS

D168,828 S *	2/1953	Carvel	.....	D20/37
D202,982 S *	11/1965	Centrone	.....	D25/10
D237,790 S *	11/1975	Cone	.....	D12/102
D261,431 S *	10/1981	Barton	.....	D25/10
D268,922 S *	5/1983	Richer	.....	D12/105
D277,087 S *	1/1985	Fisher	.....	D12/102

D283,994 S *	5/1986	Perry	.....	D12/83
D286,076 S *	10/1986	DeStefano	.....	D25/10
D288,486 S *	2/1987	Skinner	.....	D25/10
D313,474 S *	1/1991	Anderson	.....	D25/10
D366,634 S *	1/1996	Anderson	.....	D12/102
D377,633 S *	1/1997	Hutchins	.....	D12/102
D544,815 S *	6/2007	Williams	.....	D12/101

\* cited by examiner

*Primary Examiner*—Stacia Cadmus

(57) **CLAIM**

The ornamental design for an ice-cream cone trailer, as shown.

**DESCRIPTION**

FIG. 1 is a front elevational view of an ice-cream cone trailer showing my new design;

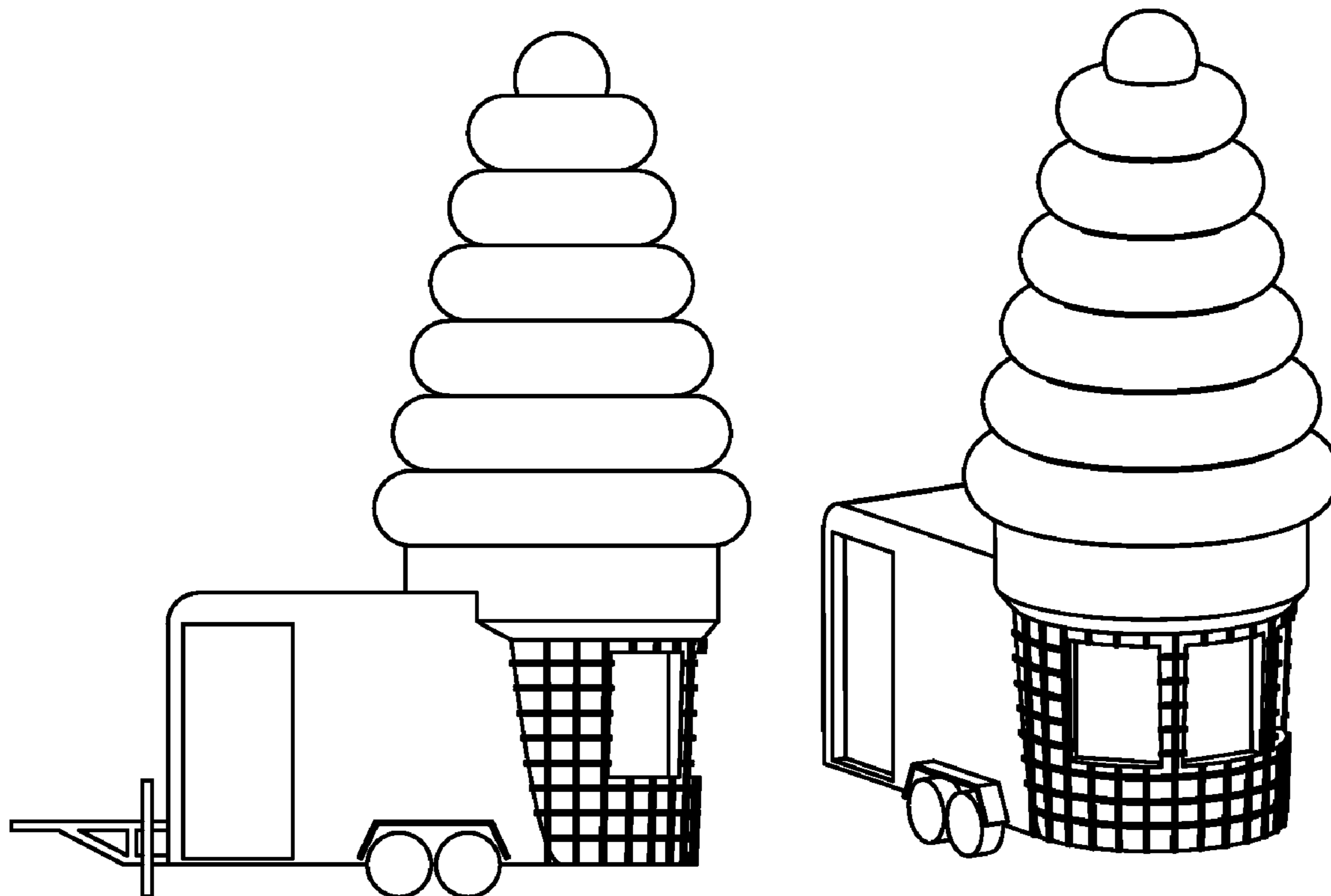
FIG. 2 is a left side elevational view thereof;

FIG. 3 is a right side elevational view thereof;

FIG. 4 is a top plan view thereof; and,

FIG. 5 is a perspective view thereof.

**1 Claim, 1 Drawing Sheet**



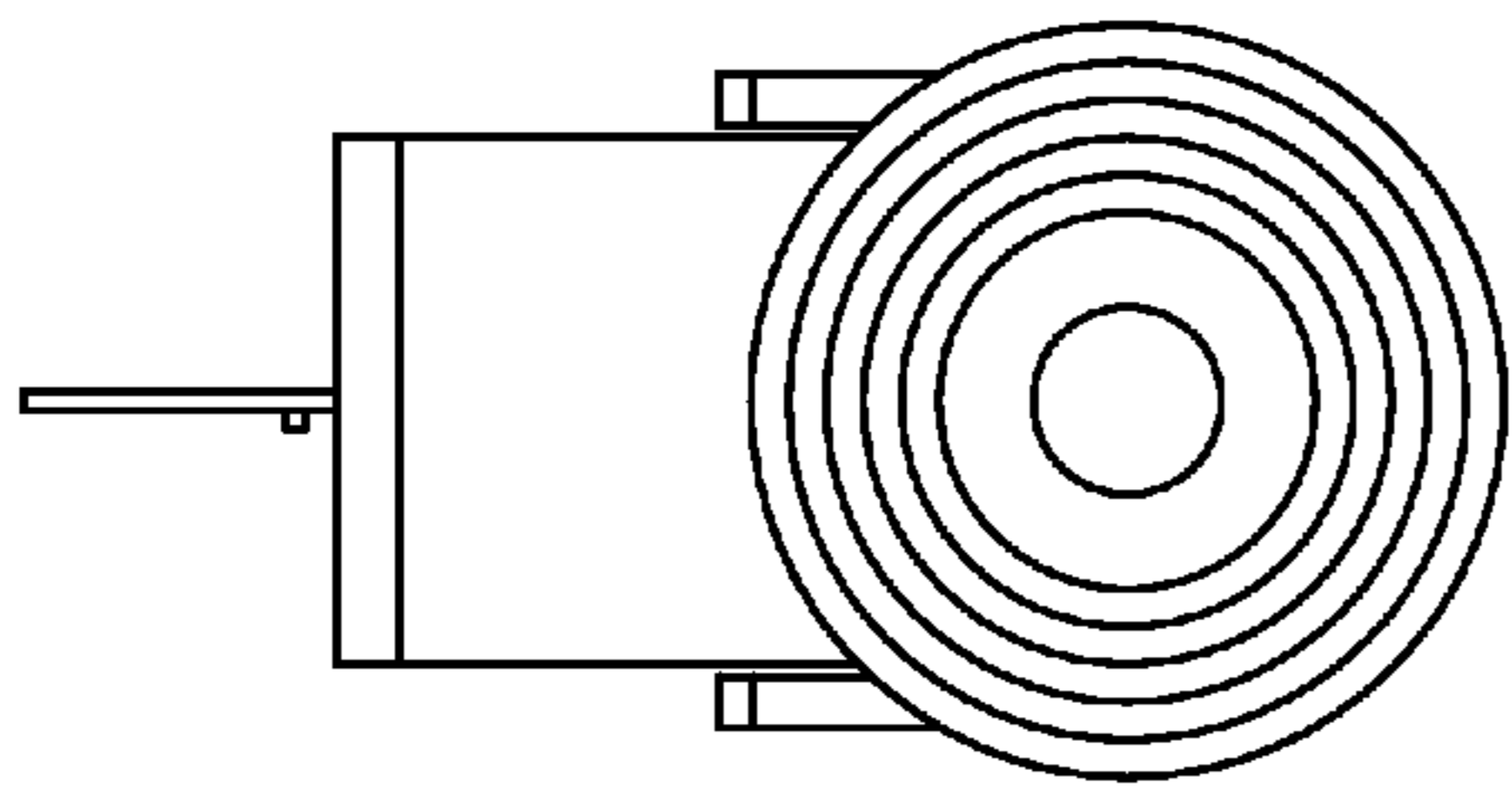


Fig. 4

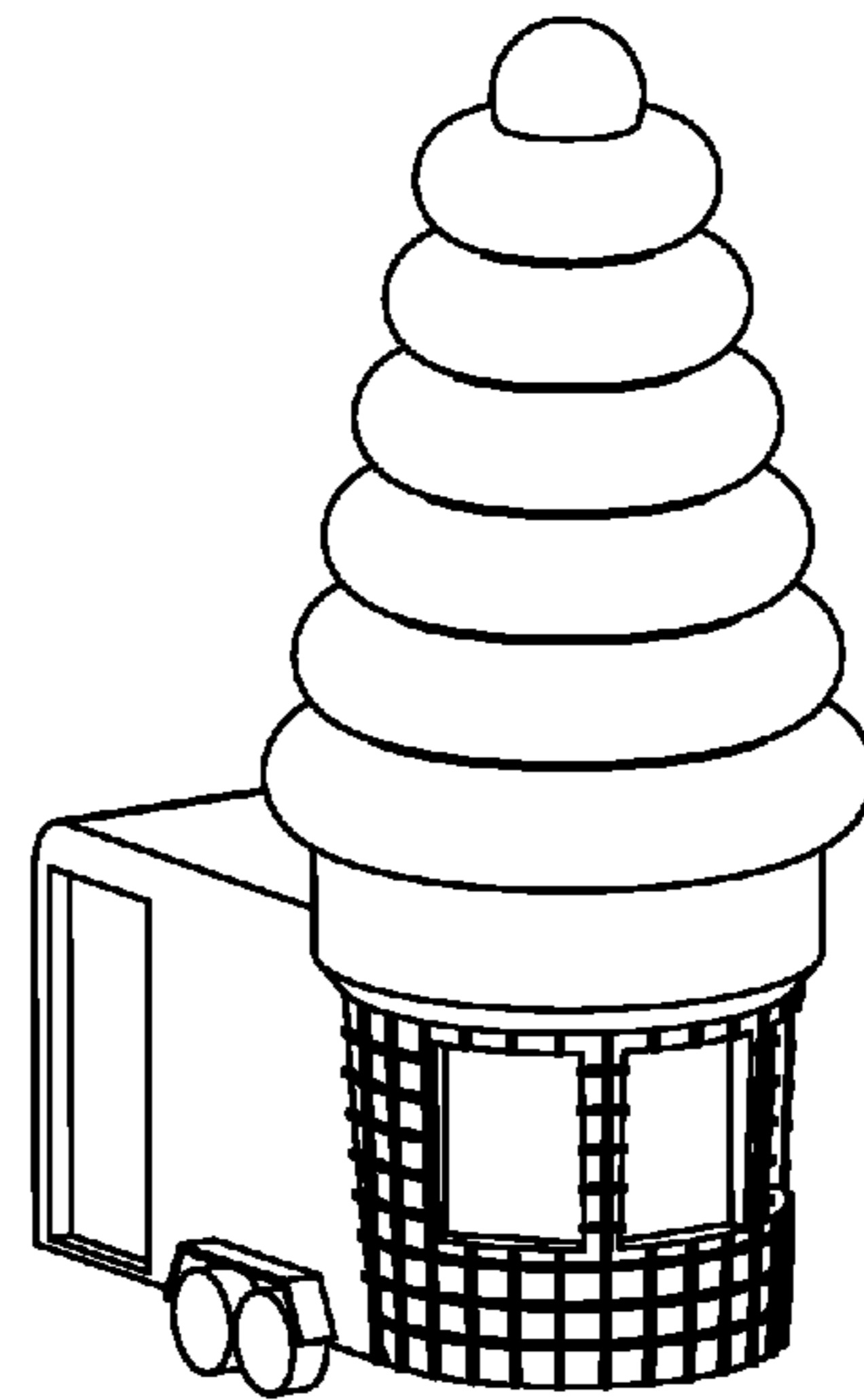


Fig. 5

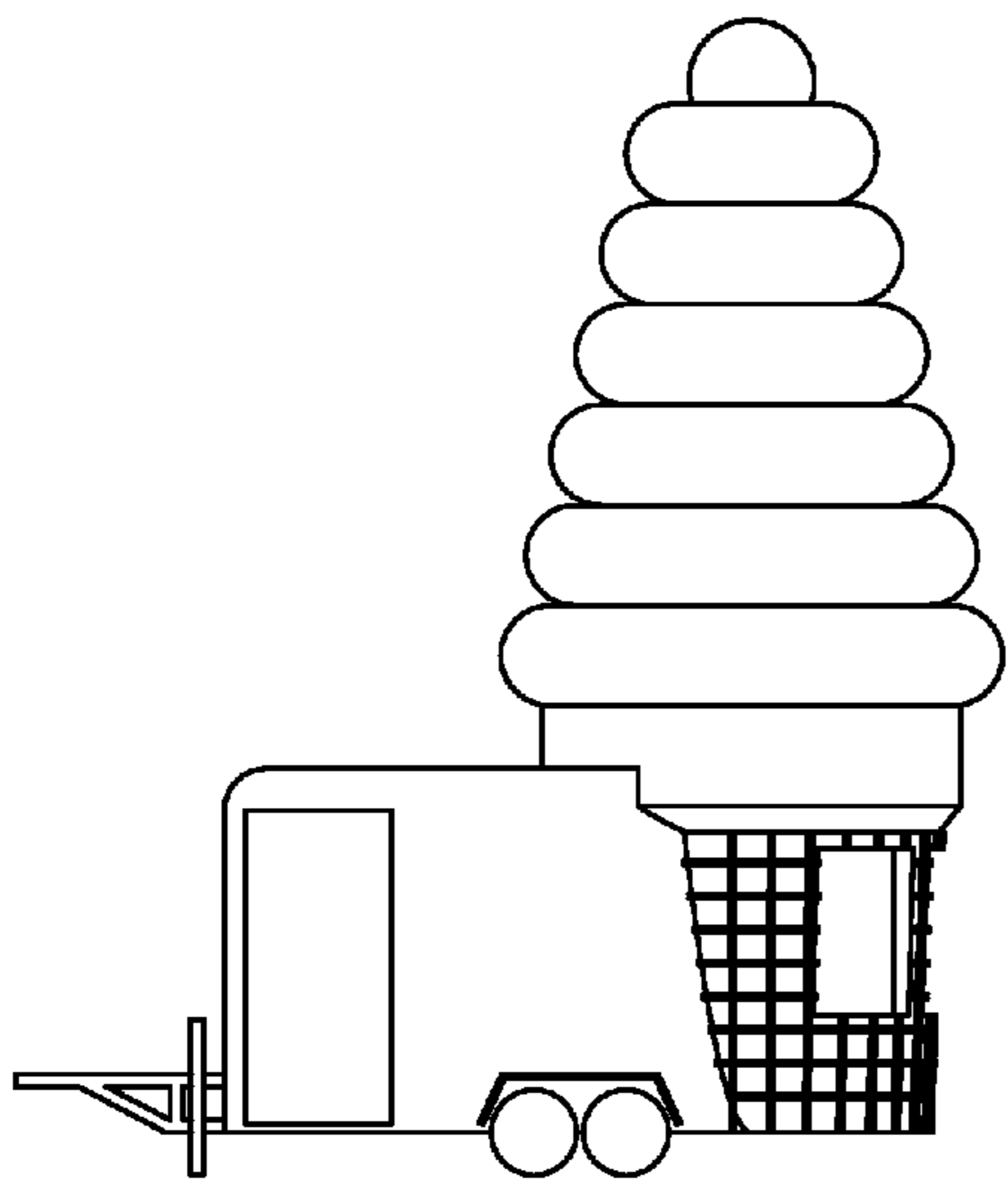


Fig. 2

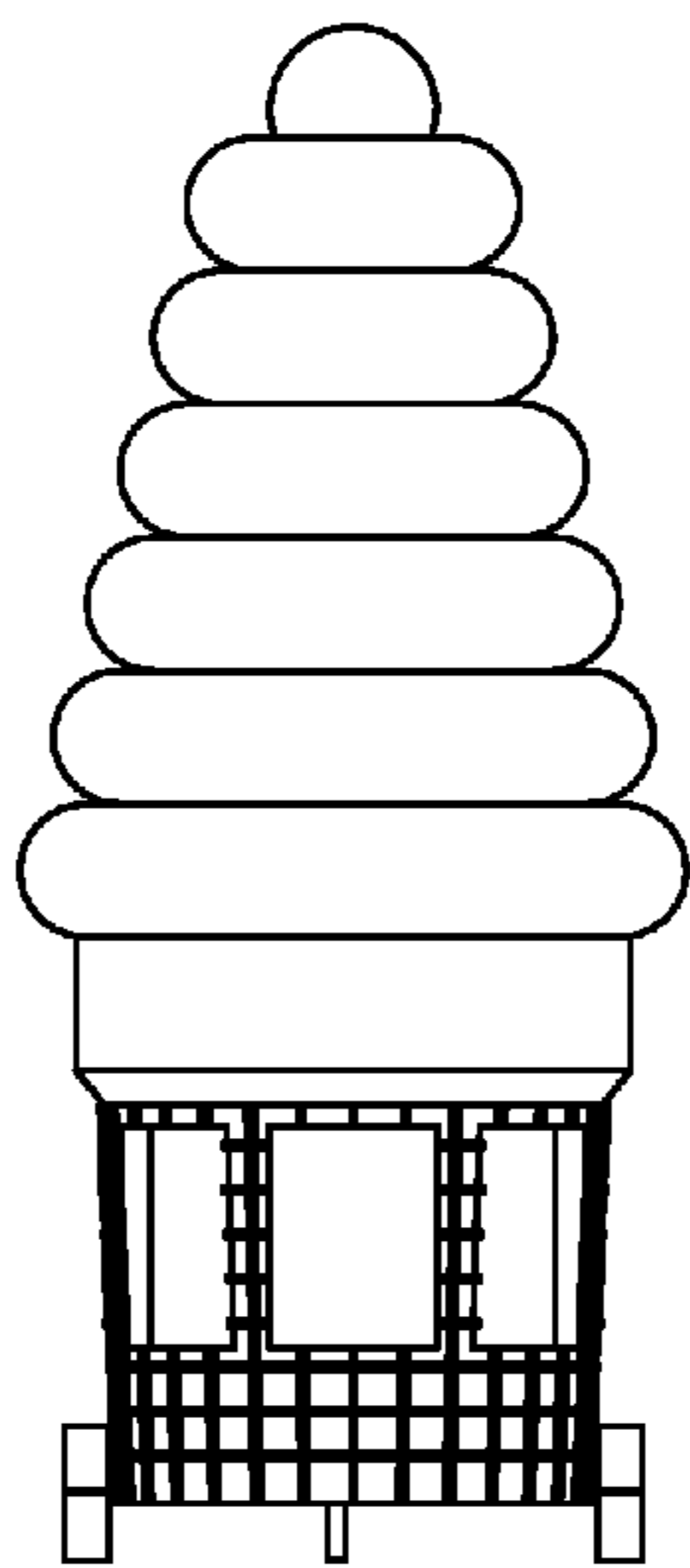


Fig. 1

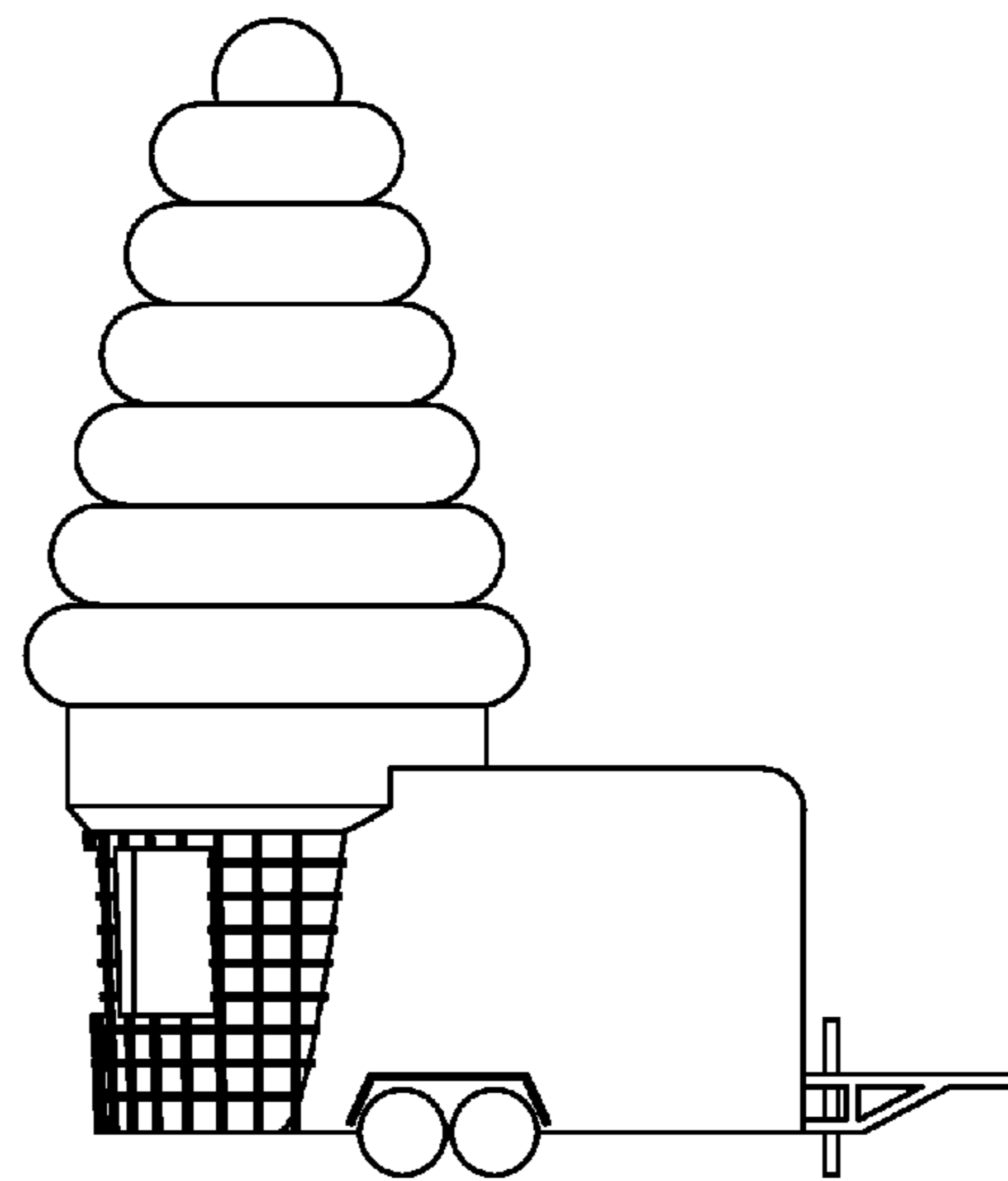


Fig. 3