



US00D556090S

(12) **United States Design Patent**
Hammick

(10) **Patent No.:** **US D556,090 S**

(45) **Date of Patent:** **** Nov. 27, 2007**

(54) **FRONT PORTION OF AN ARMORED VEHICLE**

(75) Inventor: **Murray P. Hammick**, Mt Pleasant, SC (US)

(73) Assignee: **Force Protection Industries, Inc.**, Ladson, SC (US)

(**) Term: **14 Years**

(21) Appl. No.: **29/273,420**

(22) Filed: **Mar. 6, 2007**

Related U.S. Application Data

(63) Continuation of application No. 29/253,830, filed on Feb. 14, 2006.

(51) **LOC (8) Cl.** **12-13**

(52) **U.S. Cl.** **D12/12; D12/164**

(58) **Field of Classification Search** D12/173, D12/164, 84, 93, 91, 95, 94, 190, 196, 206, D12/12, 1, 86-89, 92, 2-4, 98-100; D15/31, D15/33; D21/533, 539, 548-552, 557-60, D21/579-583, 442, 436, 560, 86, 91
See application file for complete search history.

(56) **References Cited**

U.S. PATENT DOCUMENTS

D253,763 S * 12/1979 Legueu D12/164

D266,063 S * 9/1982 Bemiss D12/12
D268,258 S * 3/1983 Fisk D12/164
D270,526 S * 9/1983 Legueu D12/12
D287,112 S * 12/1986 Legueu D12/84
D323,305 S * 1/1992 Smith D12/12
D367,027 S * 2/1996 Onopa D12/173
D391,908 S * 3/1998 Allendorph et al. D12/173
D425,446 S * 5/2000 Schnell D12/14

* cited by examiner

Primary Examiner—Louis S. Zarfaz

Assistant Examiner—Anna K Dworzecka

(74) *Attorney, Agent, or Firm*—Finnegan, Henderson, Farabow, Garrett & Dunner, L.L.P.

(57) **CLAIM**

The ornamental design for a front portion of an armored vehicle, as shown and described.

DESCRIPTION

FIG. 1 is left, front perspective view of a front portion of an armored vehicle of my new design;

FIG. 2 is a right side view thereof;

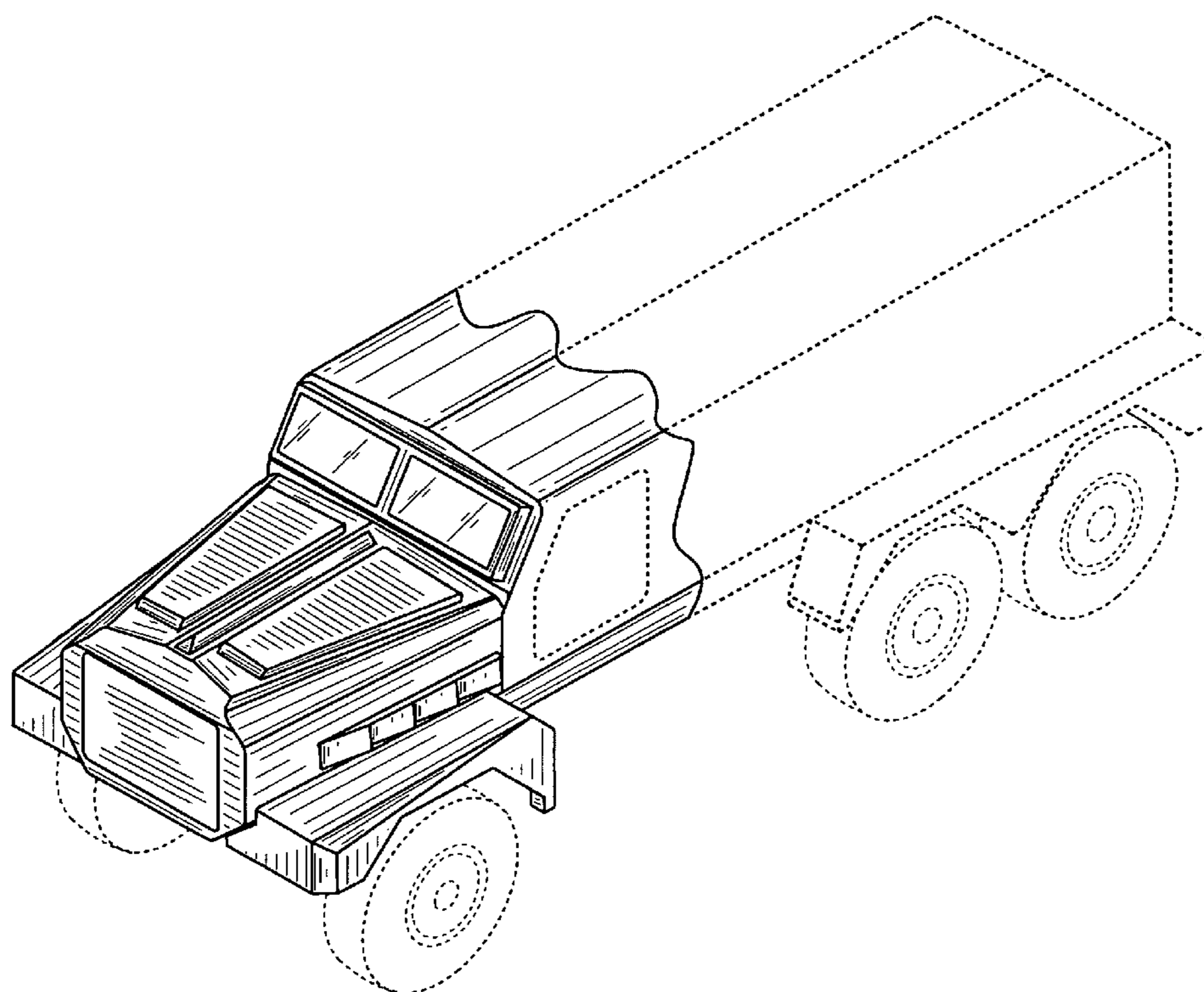
FIG. 3 is a left side thereof;

FIG. 4 is a front view thereof; and,

FIG. 5 is a top plan view thereof.

The portions of the depicted embodiment shown in broken lines form no part of the claimed design.

1 Claim, 5 Drawing Sheets



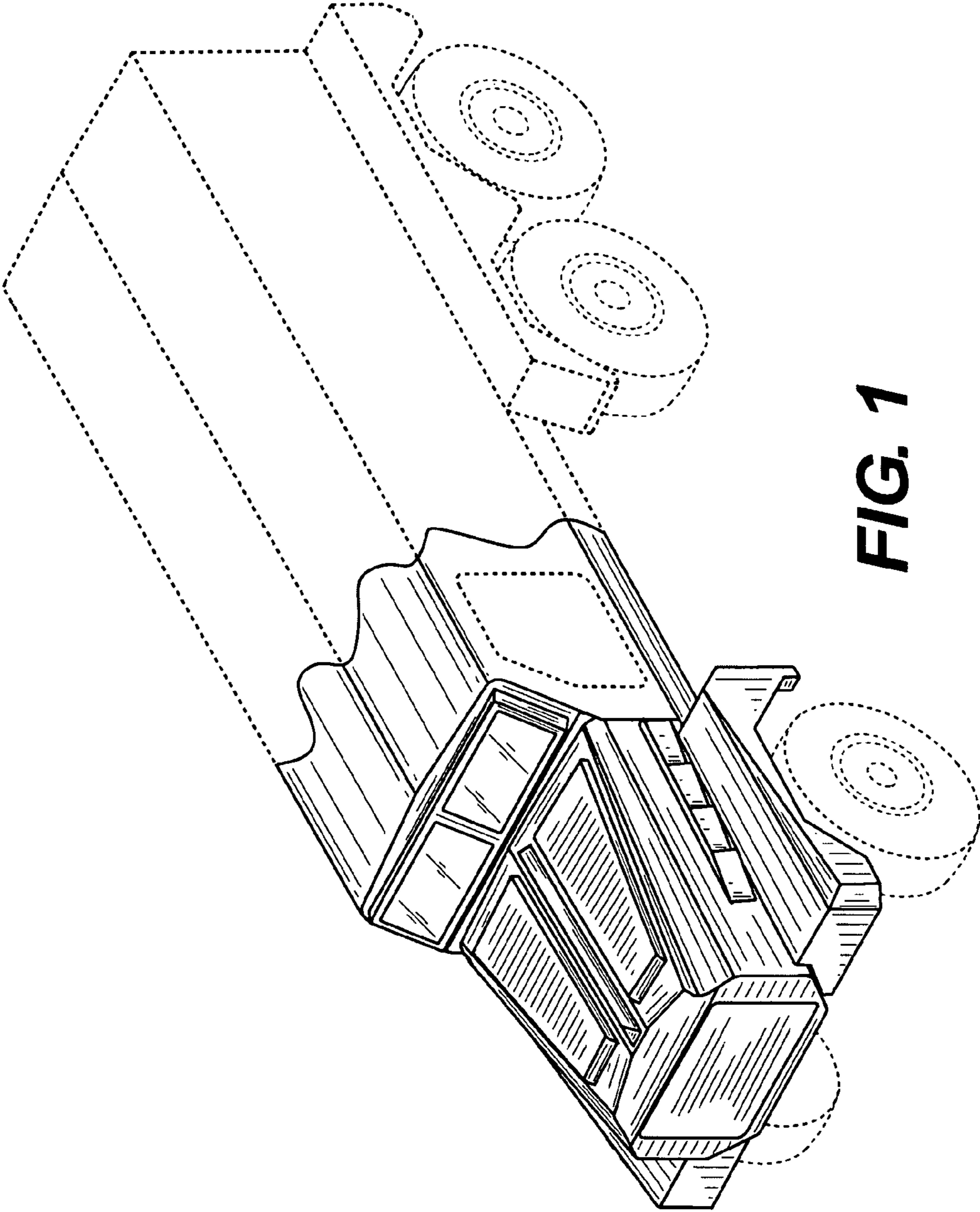


FIG. 1

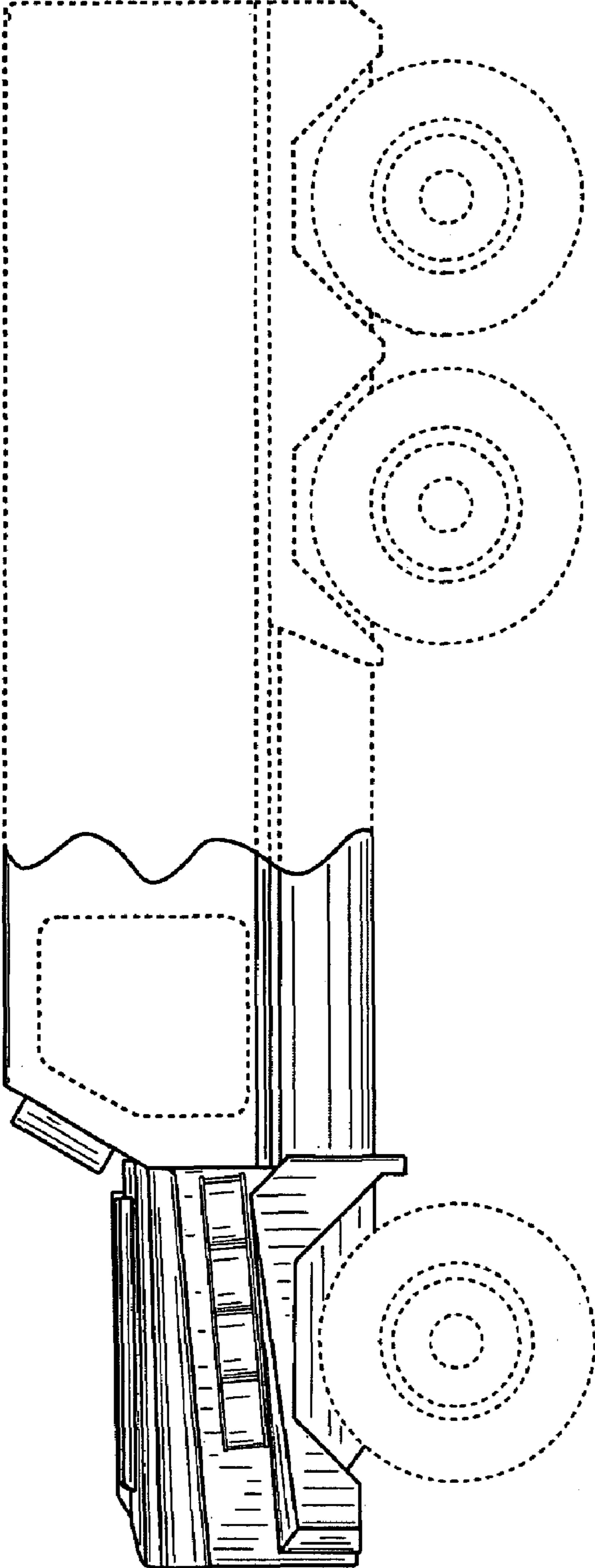


FIG. 2

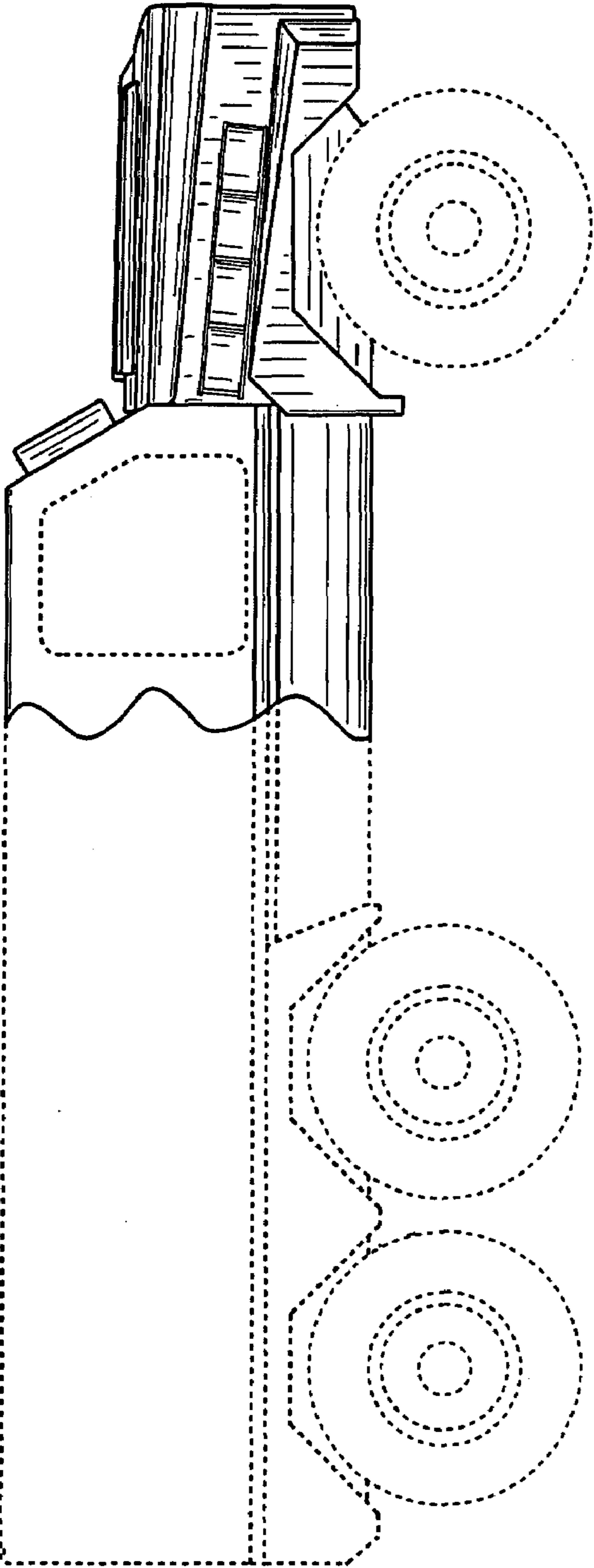


FIG. 3

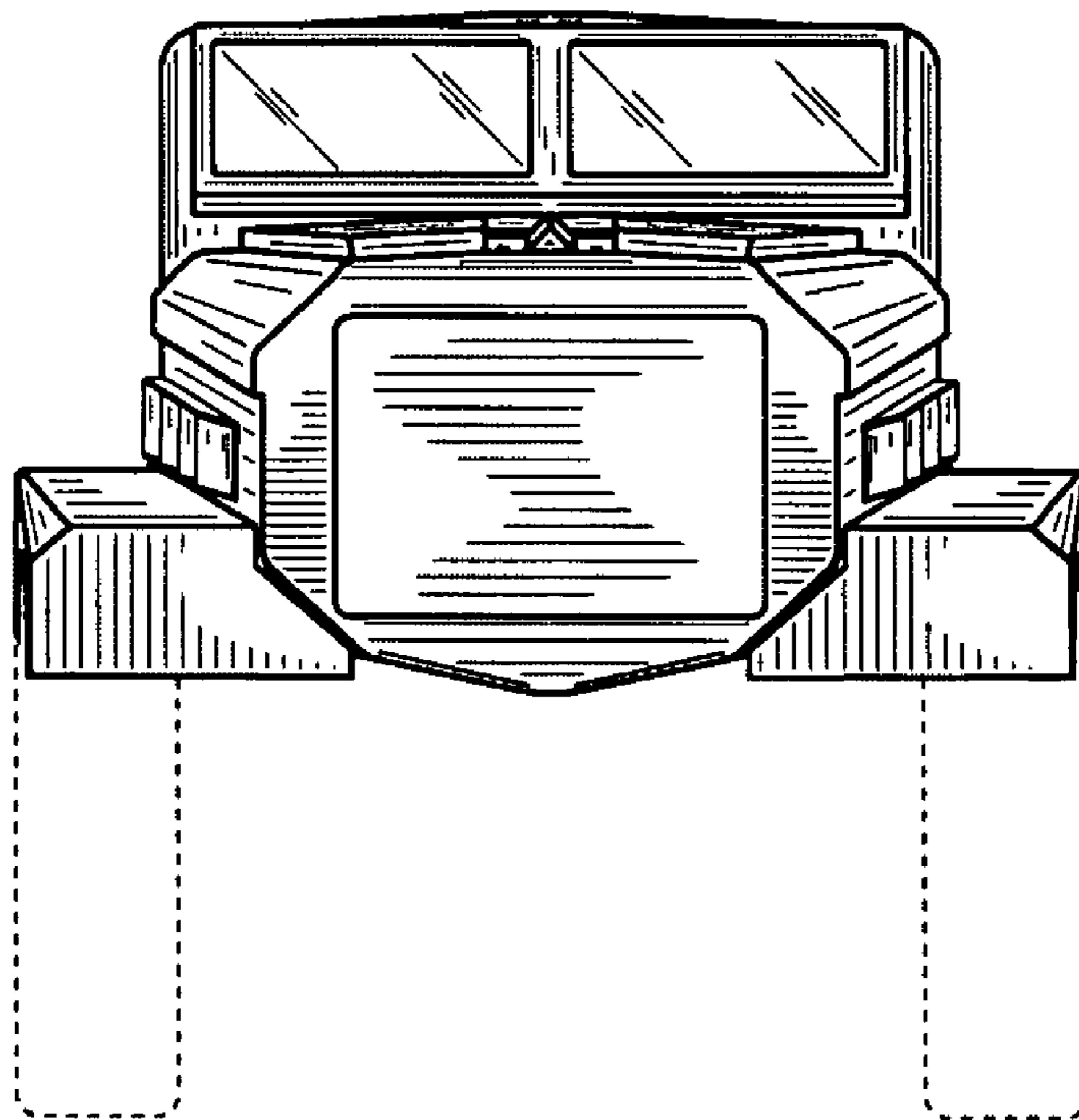


FIG. 4

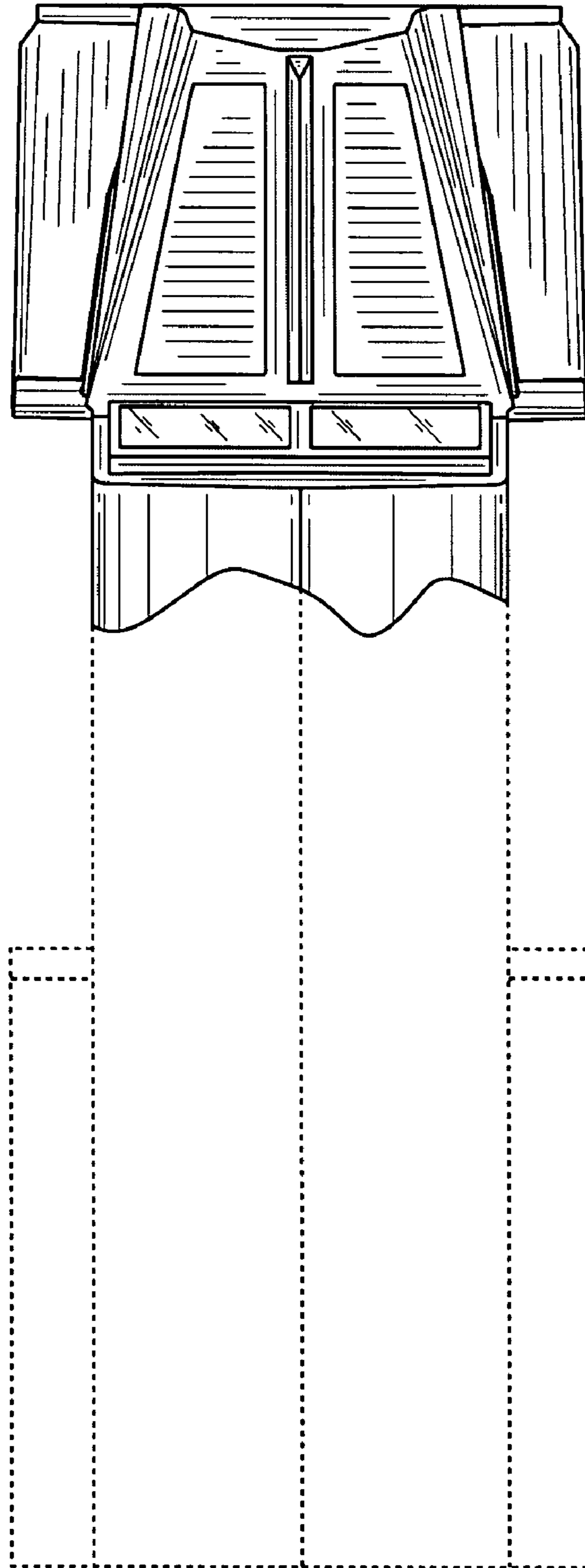


FIG. 5