



US00D556087S

(12) **United States Design Patent**
Lin

(10) **Patent No.:** **US D556,087 S**

(45) **Date of Patent:** **** Nov. 27, 2007**

(54) **SLIDE**

D512,340 S * 12/2005 Keyaki et al. D11/221
D527,311 S * 8/2006 Yamagishi et al. D11/221

(75) Inventor: **Yu-Pau Lin**, Tao Yuan Hsien (TW)

* cited by examiner

(73) Assignee: **Chung Chwan Enterprise Co., Ltd.**,
Tao Yuan Hsien (TW)

Primary Examiner—Ralf Seifert

(74) *Attorney, Agent, or Firm*—Rosenberg, Klein & Lee

(**) Term: **14 Years**

(57) **CLAIM**

(21) Appl. No.: **29/256,383**

The ornamental design for an “slide,” as shown and described.

(22) Filed: **Mar. 21, 2006**

(51) **LOC (8) Cl.** **02-07**

(52) **U.S. Cl.** **D11/221**

(58) **Field of Classification Search** D11/200,
D11/201, 221; 24/415–417, 419, 421, 427–431,
24/381–382, 385, 387, 433; 384/64
See application file for complete search history.

DESCRIPTION

FIG. 1 is a perspective view of an “slide” showing my new design;

FIG. 2 is a front view thereof;

FIG. 3 is a rear view thereof;

FIG. 4 is a left side view thereof;

FIG. 5 is a right side view thereof;

FIG. 6 is a top view thereof; and,

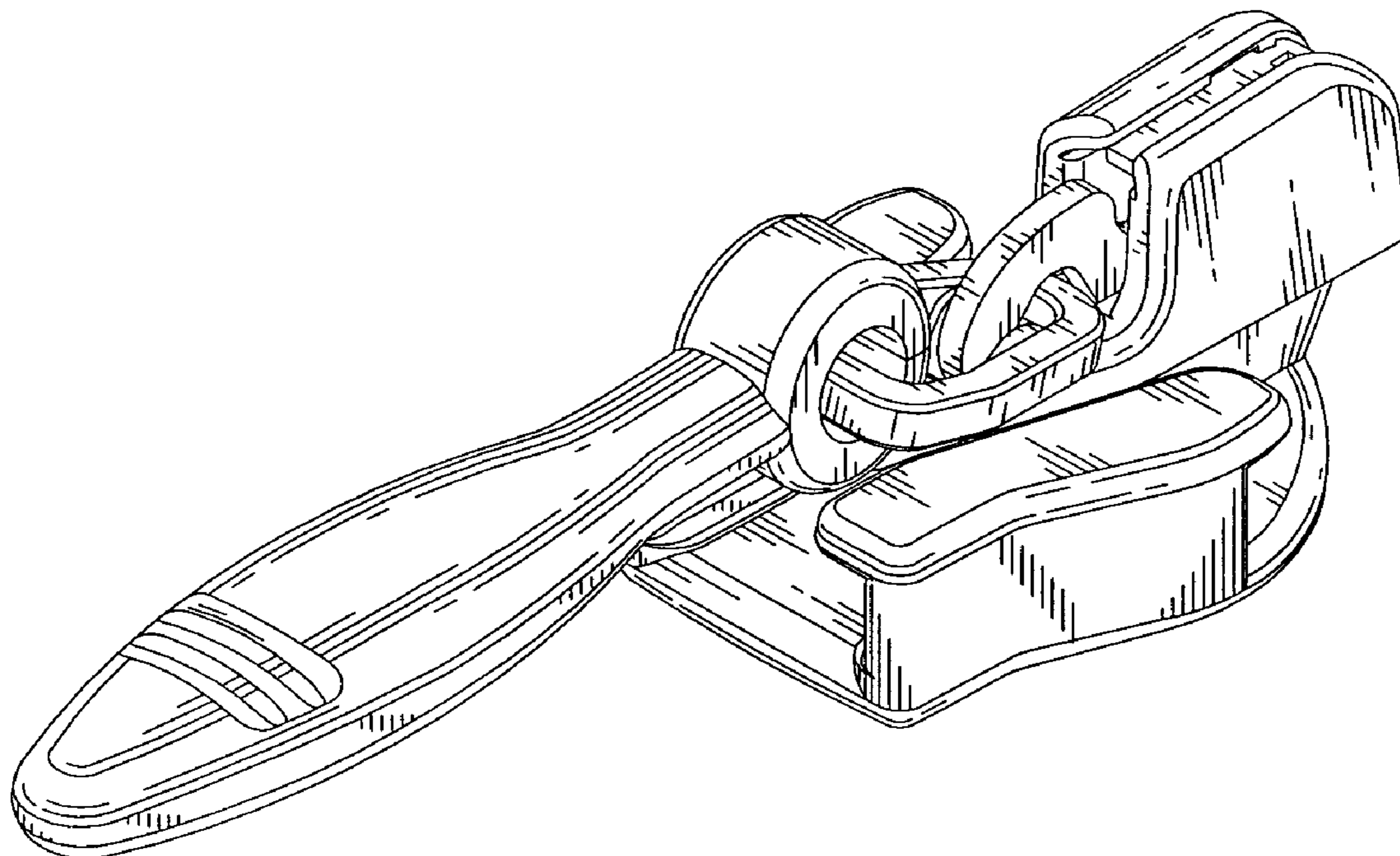
FIG. 7 is a bottom view thereof.

(56) **References Cited**

U.S. PATENT DOCUMENTS

D371,524 S * 7/1996 Ikehara D11/221
D390,811 S * 2/1998 Yaguramaki D11/221
D403,987 S * 1/1999 Minato D11/221
D498,434 S * 11/2004 Iwase D11/221

1 Claim, 4 Drawing Sheets



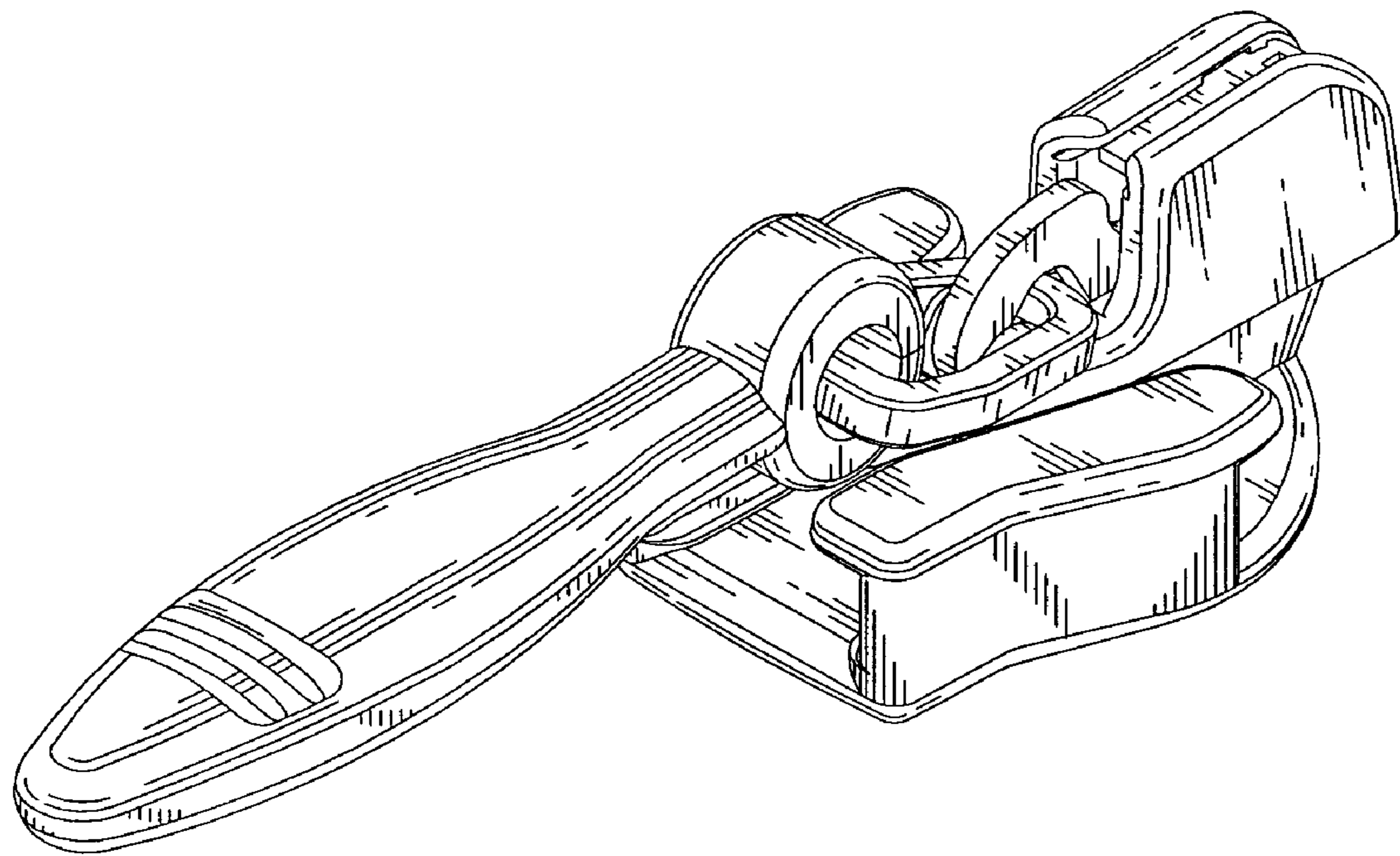


FIG 1

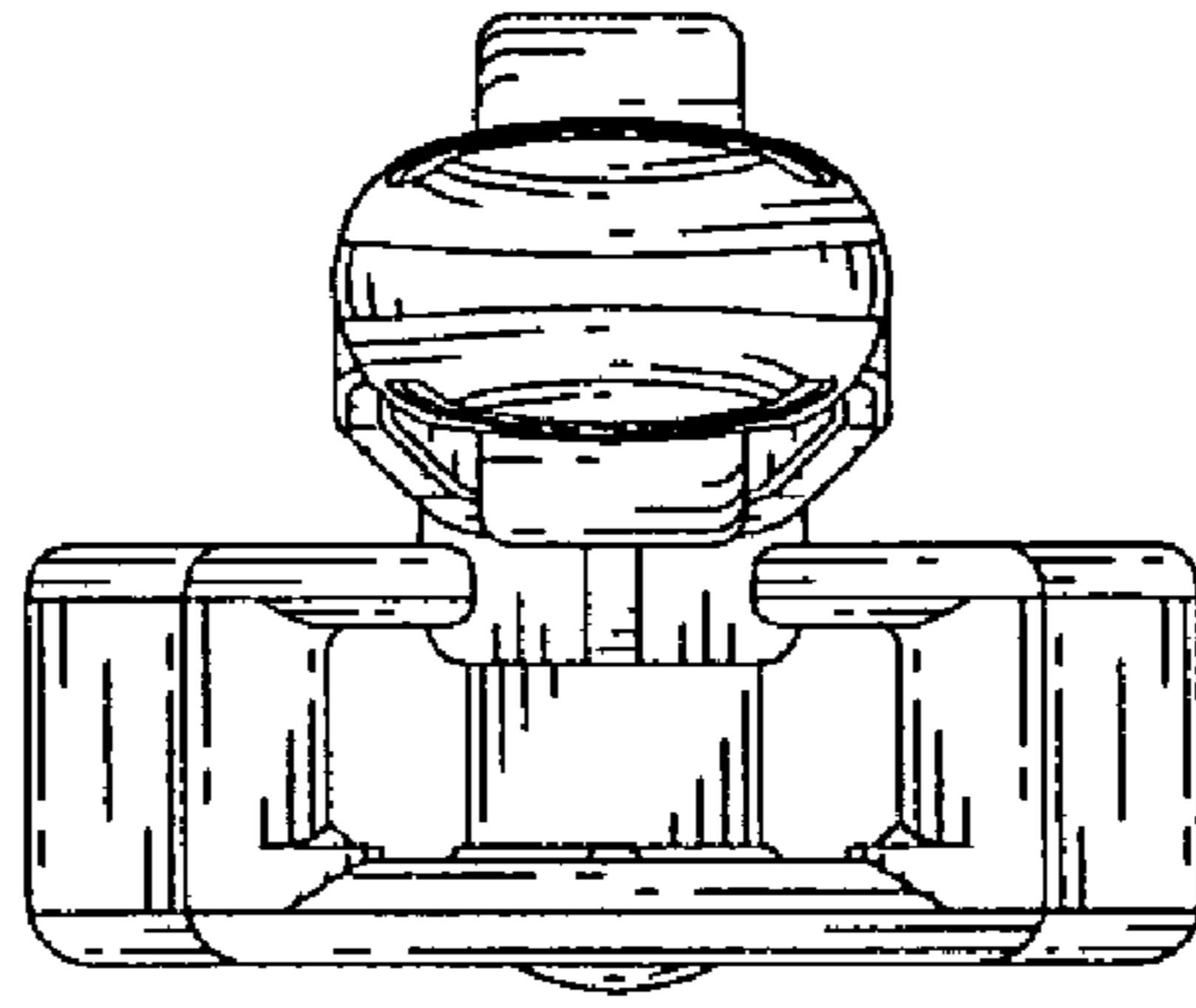


FIG 2

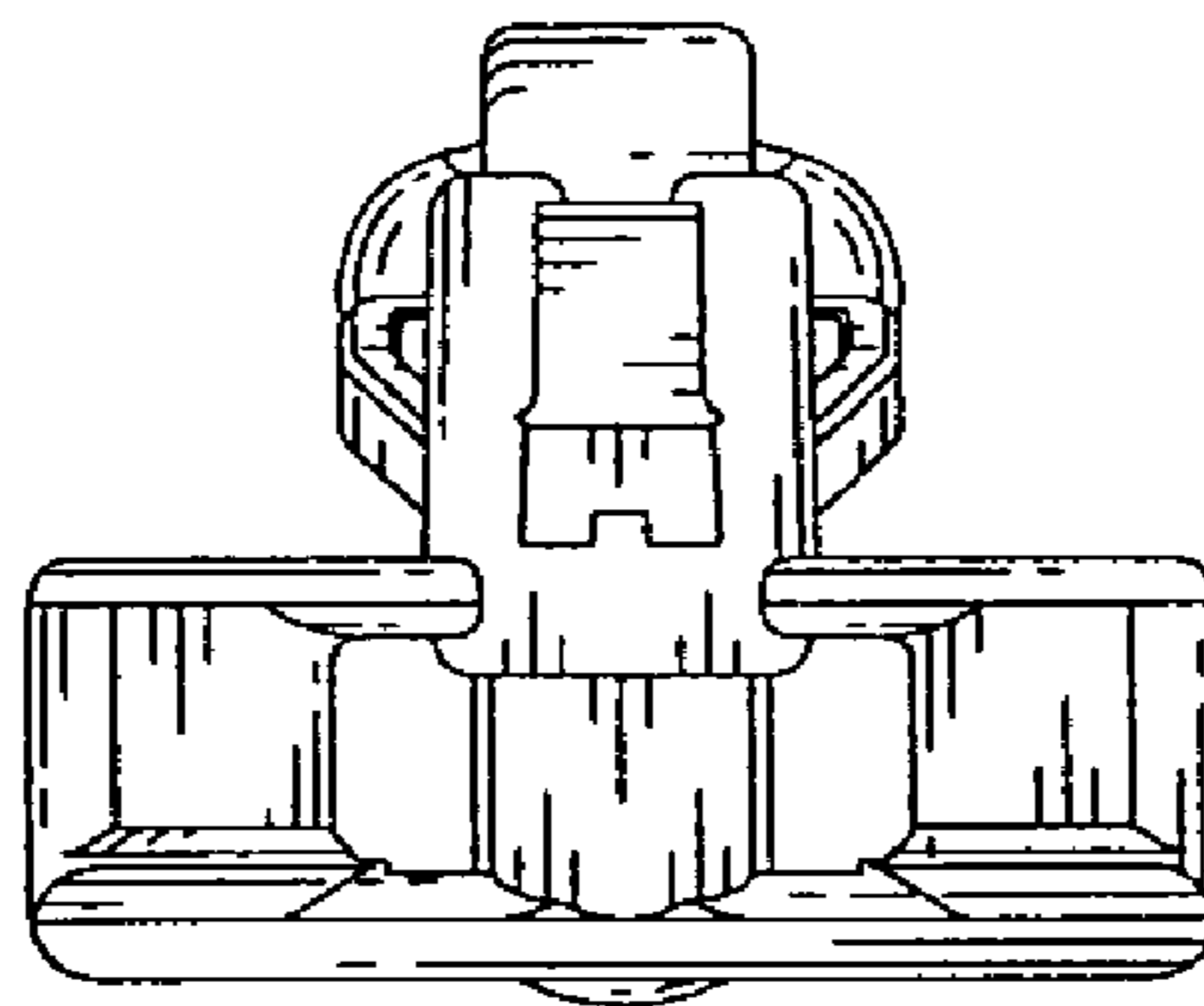


FIG 3

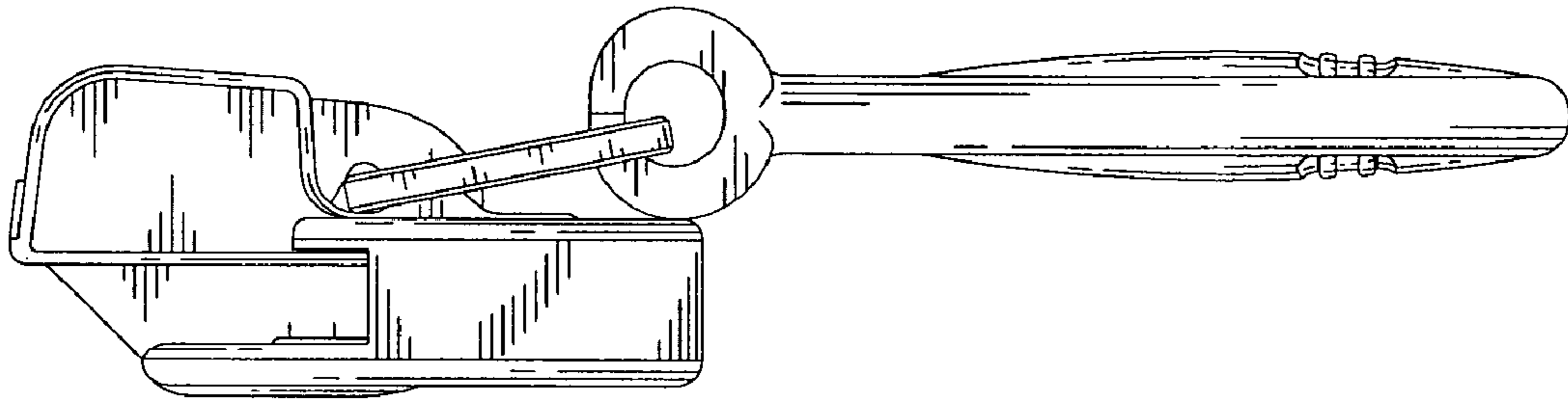


FIG 4

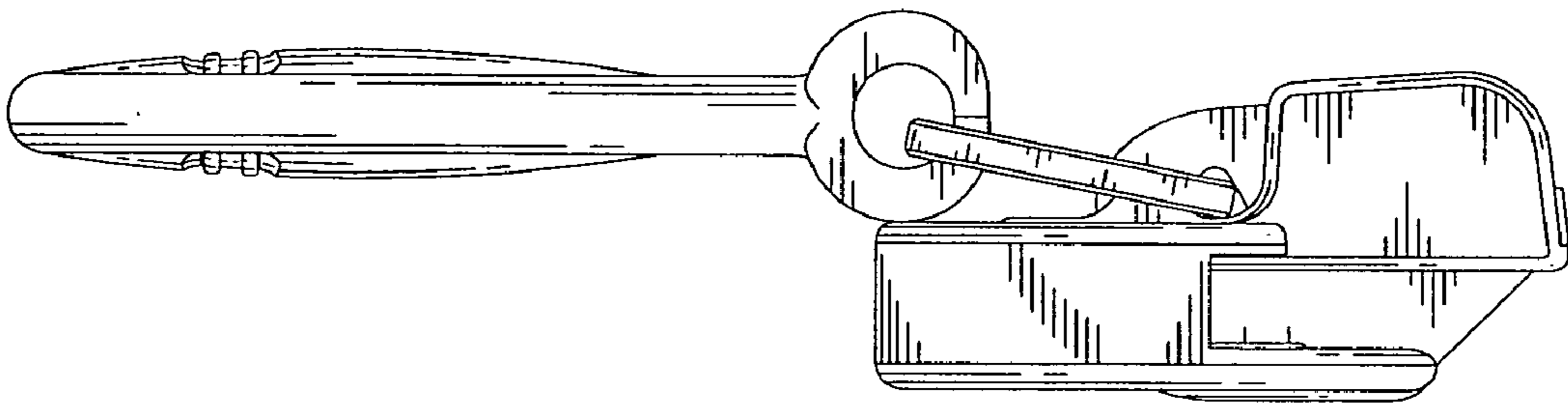


FIG 5

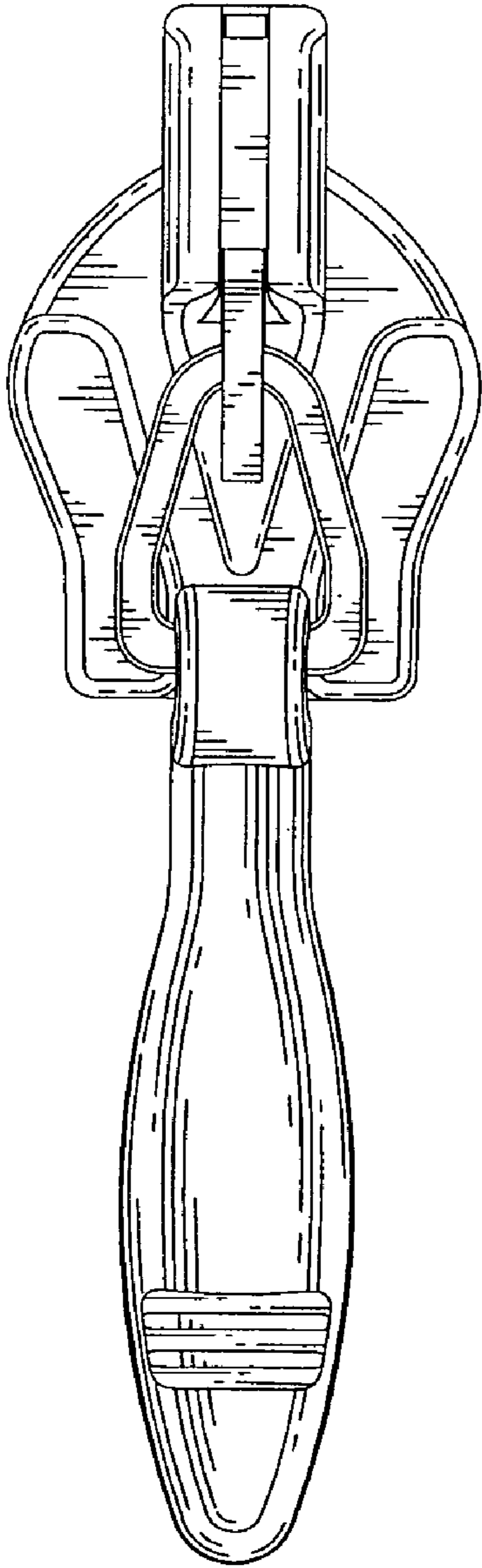


FIG 6

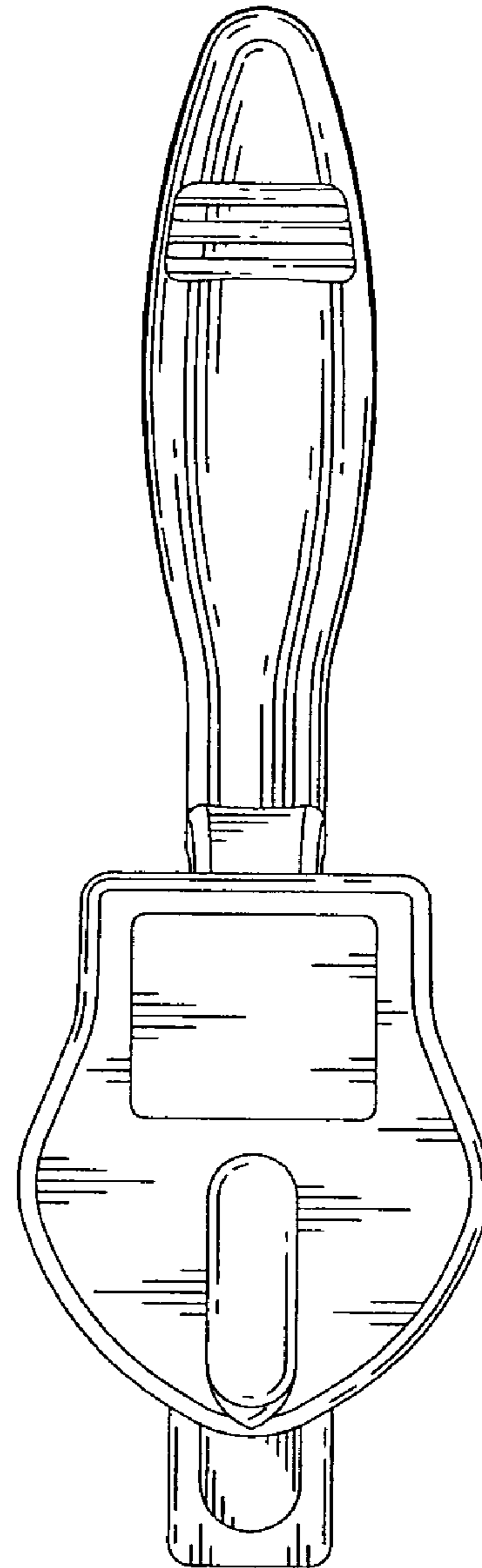


FIG 7