



US00D556081S

(12) **United States Design Patent**
Mouquet

(10) **Patent No.:** **US D556,081 S**

(45) **Date of Patent:** **** Nov. 27, 2007**

(54) **CLASP**

D536,281 S * 2/2007 Mouquet D11/234

(75) Inventor: **Philippe Mouquet**, Paris (FR)

(73) Assignee: **Hermes Sellier**, Paris (FR)

* cited by examiner

(**) Term: **14 Years**

Primary Examiner—Ralf Seifert

(21) Appl. No.: **29/236,556**

(74) *Attorney, Agent, or Firm*—Darby & Darby

(22) Filed: **Aug. 16, 2005**

(57) **CLAIM**

(30) **Foreign Application Priority Data**

The ornamental design for clasp, as shown and described.

Feb. 17, 2005 (WO) DM/066 414

Feb. 17, 2005 (WO) DM/066 470

DESCRIPTION

(51) **LOC (8) Cl.** **11-01**

(52) **U.S. Cl.** **D11/87**

(58) **Field of Classification Search** D11/200,
D11/201, 208–210, 212–218, 220, 230–234,
D11/236–237, 86–87, 94; 63/15.2, 15; 24/307,
24/625, 616, 200, 196, 637, 171, 169, 112,
24/614, 615

See application file for complete search history.

FIG. 1 is a front perspective view of a clasp showing my new design;

FIG. 2 is a front elevation view thereof;

FIG. 3 is a right side elevation view thereof, the left side being a mirror image thereof;

FIG. 4 is a rear elevation view thereof; and,

FIG. 5 is a top plan view thereof, the bottom being a mirror image thereof.

(56) **References Cited**

U.S. PATENT DOCUMENTS

D519,412 S * 4/2006 Dolce et al. D11/232

1 Claim, 2 Drawing Sheets

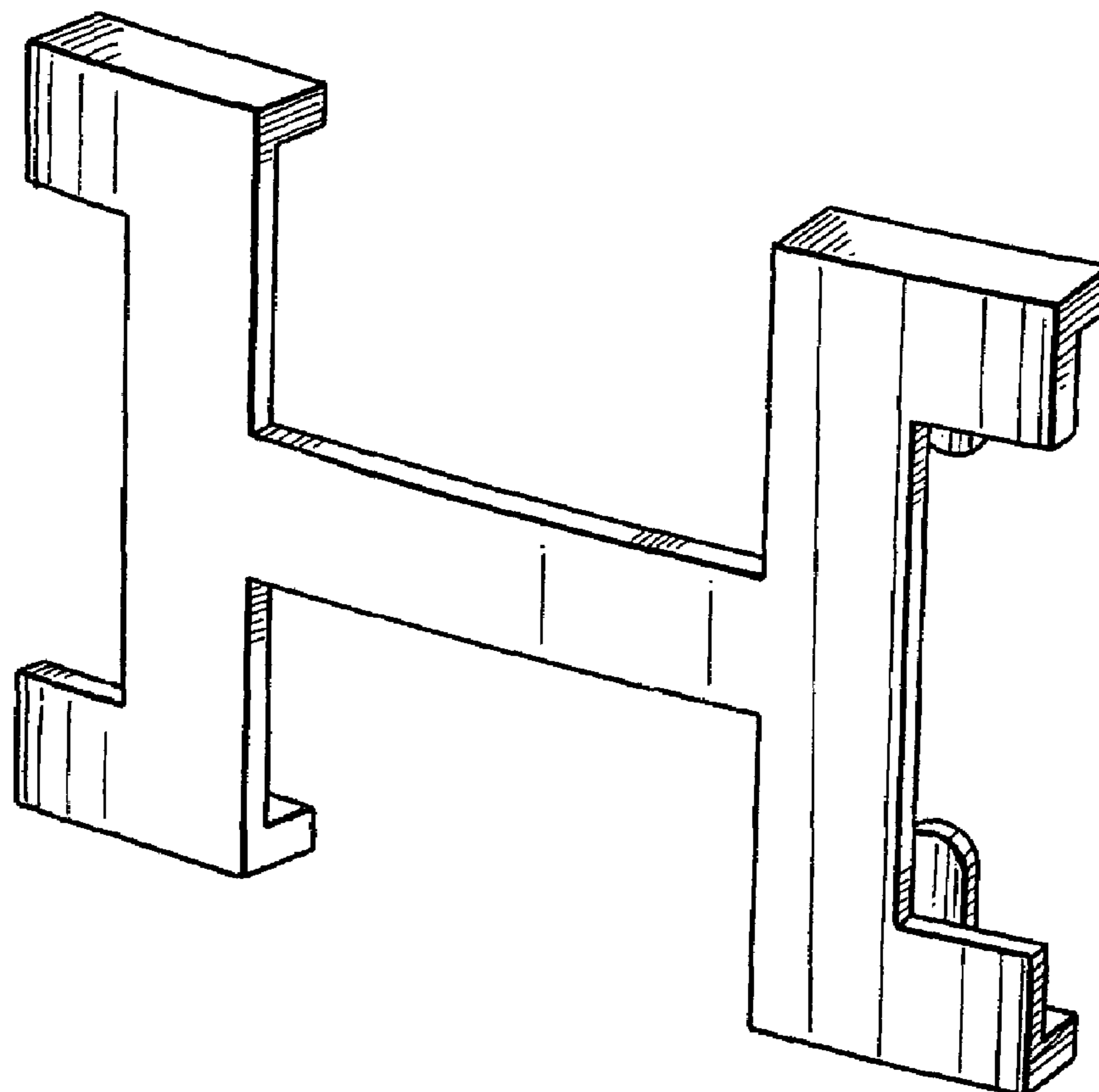


FIGURE 1

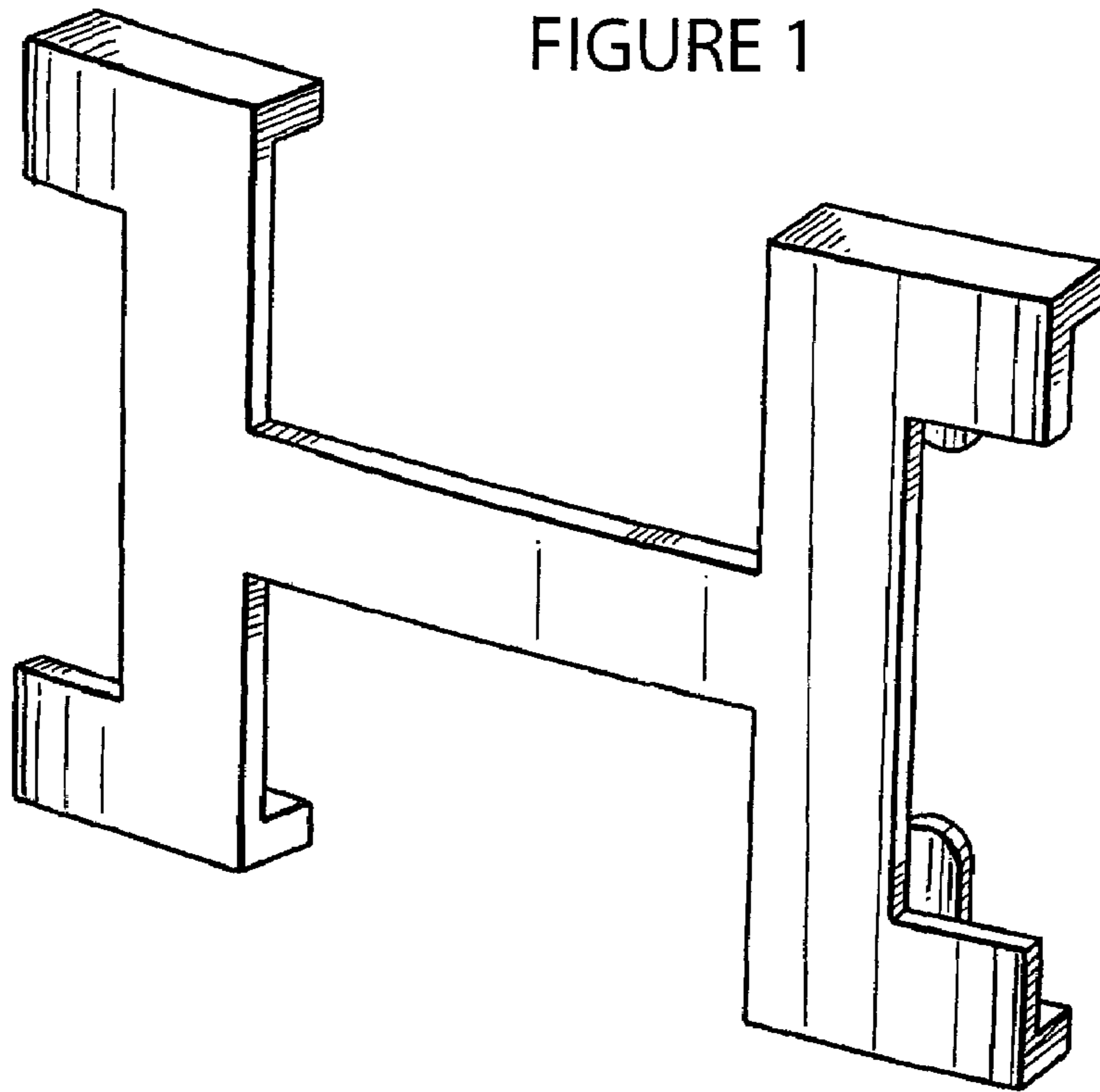


FIGURE 2

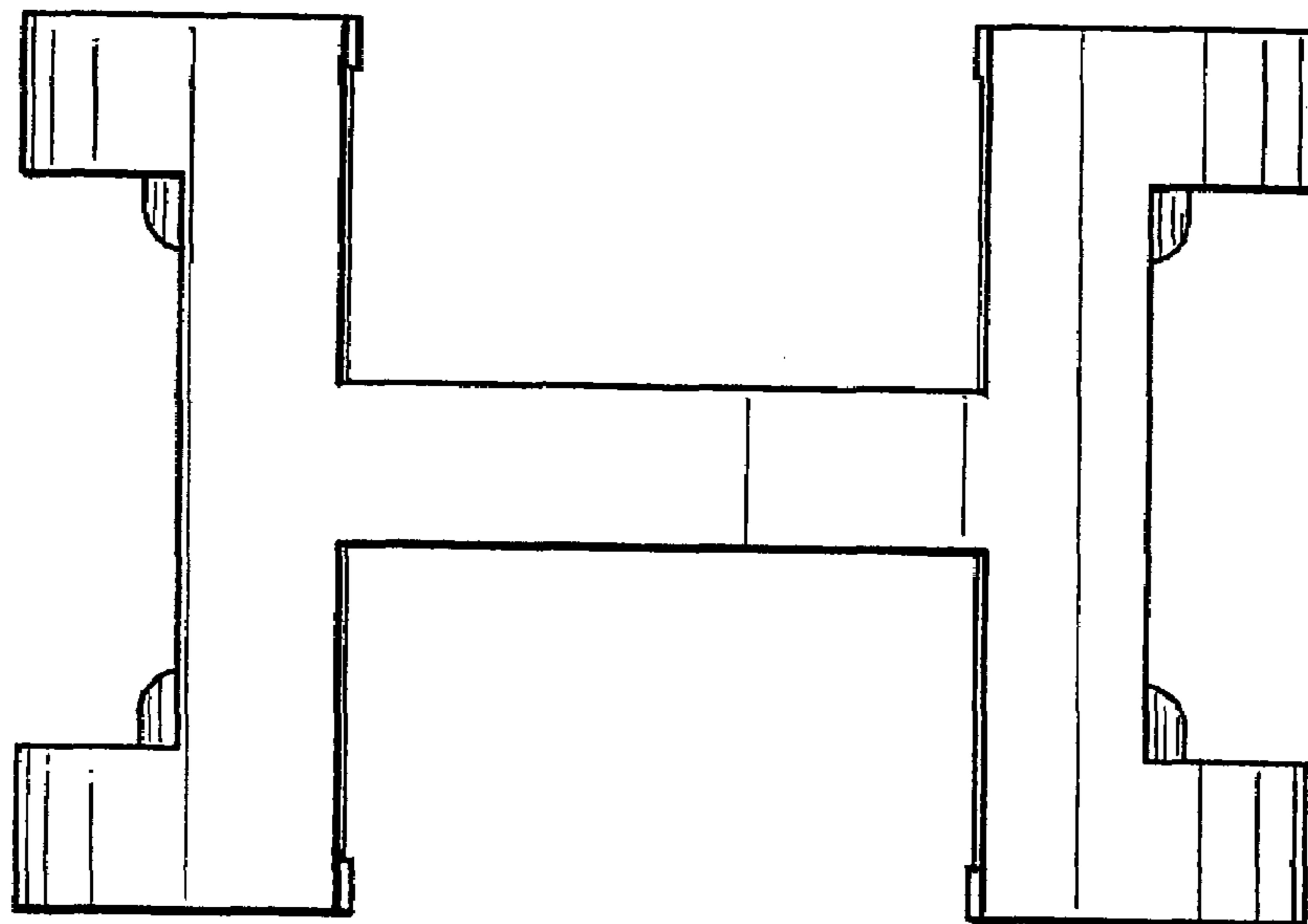


FIGURE 4

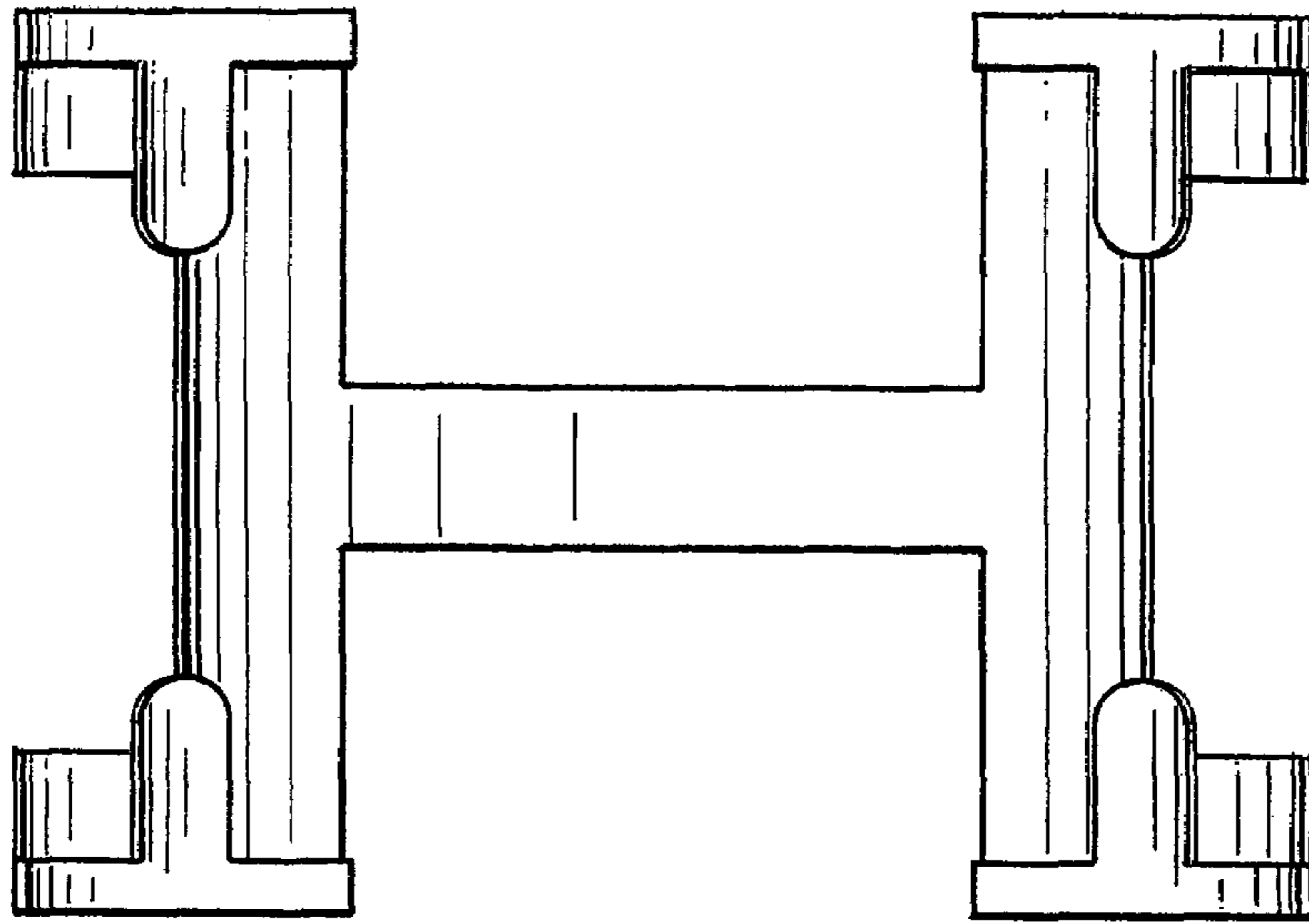


FIGURE 3



FIGURE 5

