



US00D556077S

(12) **United States Design Patent**
O'Neill

(10) **Patent No.:** **US D556,077 S**

(45) **Date of Patent:** **** Nov. 27, 2007**

(54) **MARINE FOG HORN**

(75) Inventor: **Robert M. O'Neill**, Oxford, MS (US)

(73) Assignee: **ESSI Corporation**, Broussard, LA (US)

(**) Term: **14 Years**

(21) Appl. No.: **29/261,164**

(22) Filed: **Jun. 7, 2006**

(51) **LOC (8) Cl.** **10-05**

(52) **U.S. Cl.** **D10/120**

(58) **Field of Classification Search** D10/104-121;
340/388.1, 388.4, 384.1, 404.1, 693.12, 600,
340/601, 546, 404.2, 691.1, 384.73; 116/112,
116/147; 381/341, 190; D26/93, 104; 367/174
See application file for complete search history.

(56) **References Cited**

U.S. PATENT DOCUMENTS

D43,158 S *	10/1912	Purple	D10/120
3,345,627 A *	10/1967	Herst et al.	340/546
4,710,749 A *	12/1987	Berke et al.	340/404.2
4,796,009 A *	1/1989	Biersach	340/388.4
4,908,601 A *	3/1990	Howze	340/388.1
D324,186 S *	2/1992	DeFazio	D10/114
5,200,932 A *	4/1993	Ljung	367/174
5,896,460 A *	4/1999	Nakamura et al.	381/190

6,144,309 A *	11/2000	Fagence	340/691.1
2002/0101333 A1 *	8/2002	Lu	340/384.1
2002/0149474 A1 *	10/2002	Stern	340/384.73

* cited by examiner

Primary Examiner—Robert M. Spear

Assistant Examiner—George D Kirschbaum

(74) *Attorney, Agent, or Firm*—Robert N. Montgomery

(57) **CLAIM**

The ornamental design for a marine fog horn, as shown and described.

DESCRIPTION

FIG. 1 is an isometric view of the marine fog horn assembly showing my new design;

FIG. 2 is a front view thereof;

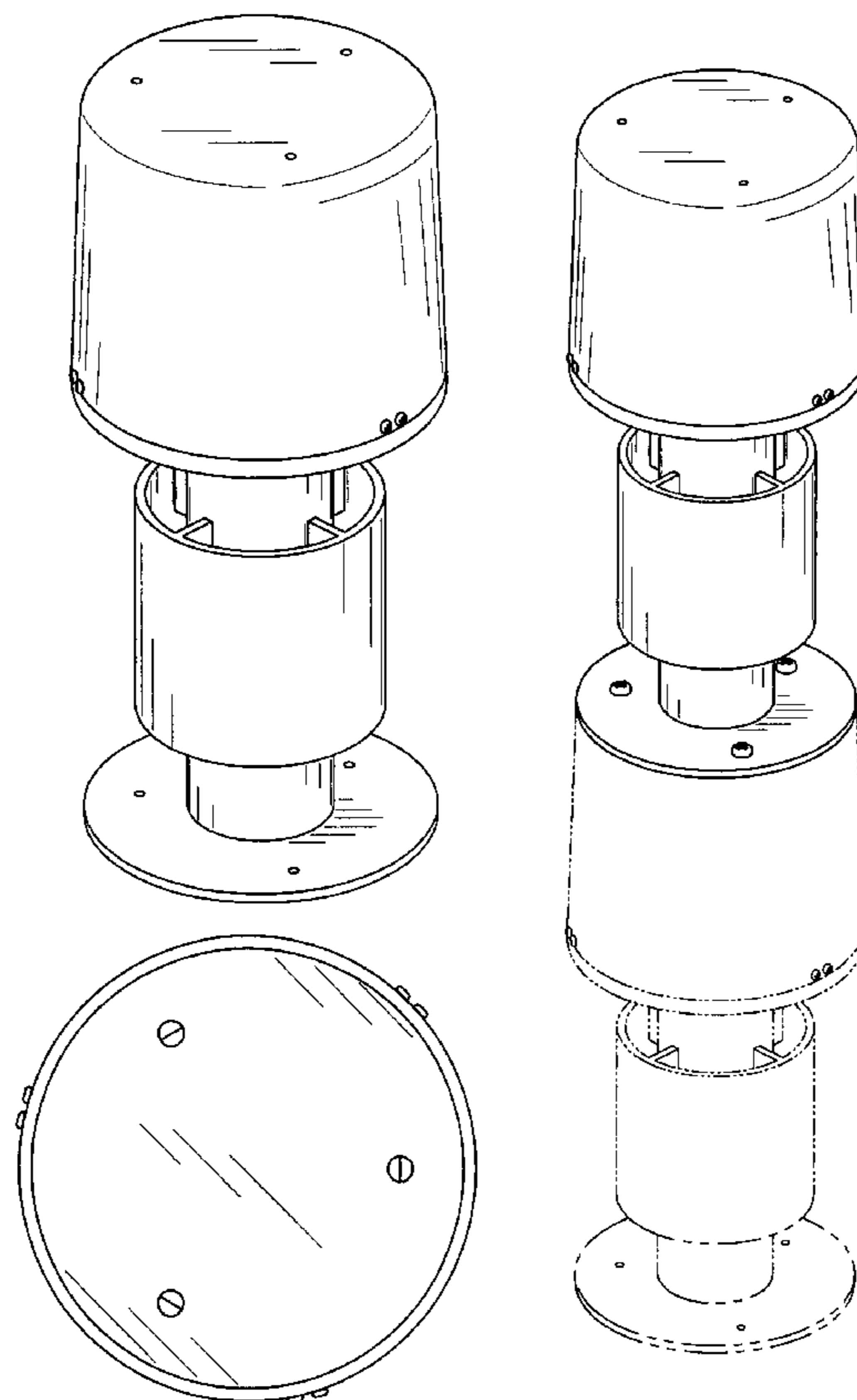
FIG. 3 is a top view of thereof;

FIG. 4 is bottom view thereof; and,

FIG. 5 is an isometric view in a plural assembly configuration thereof.

In FIG. 5, the broken line showing of a second marine fog horn depicts environmental subject matter and forms no part of the claim.

1 Claim, 2 Drawing Sheets



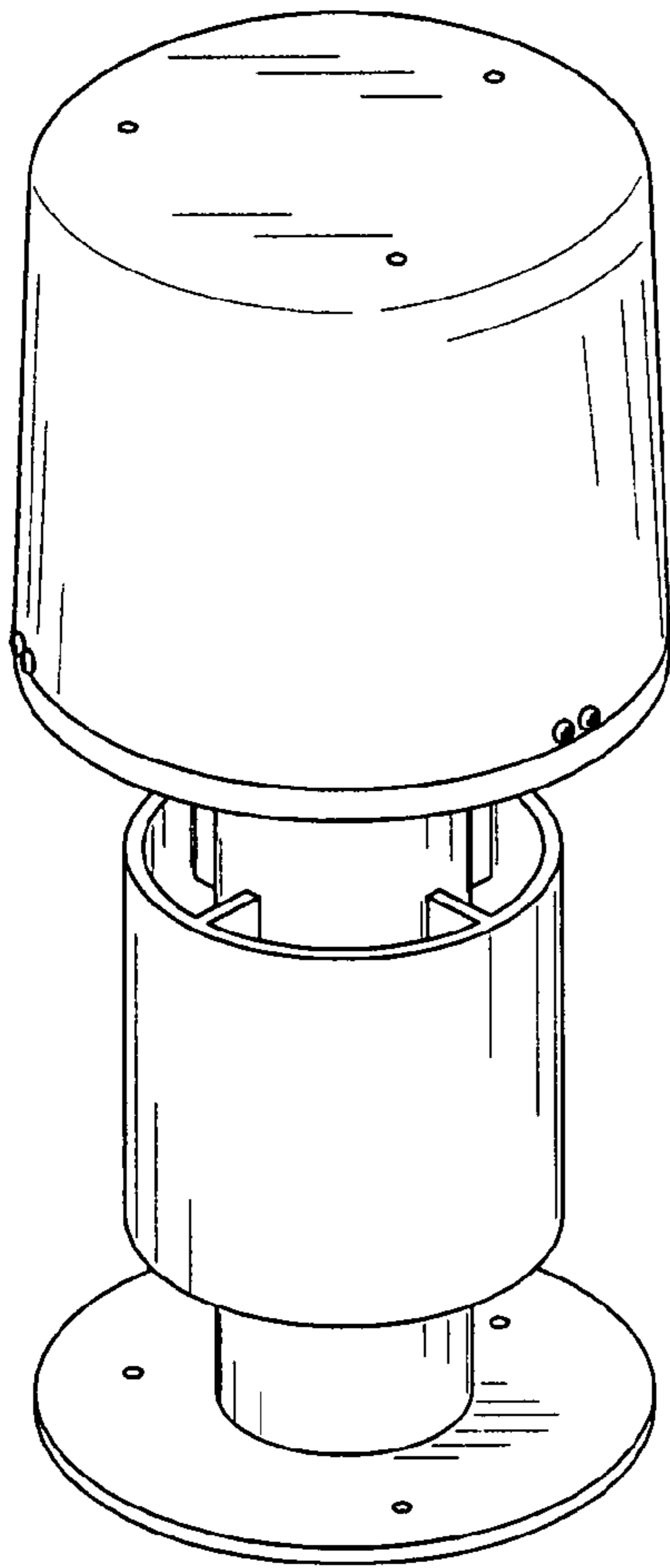


Fig. 1

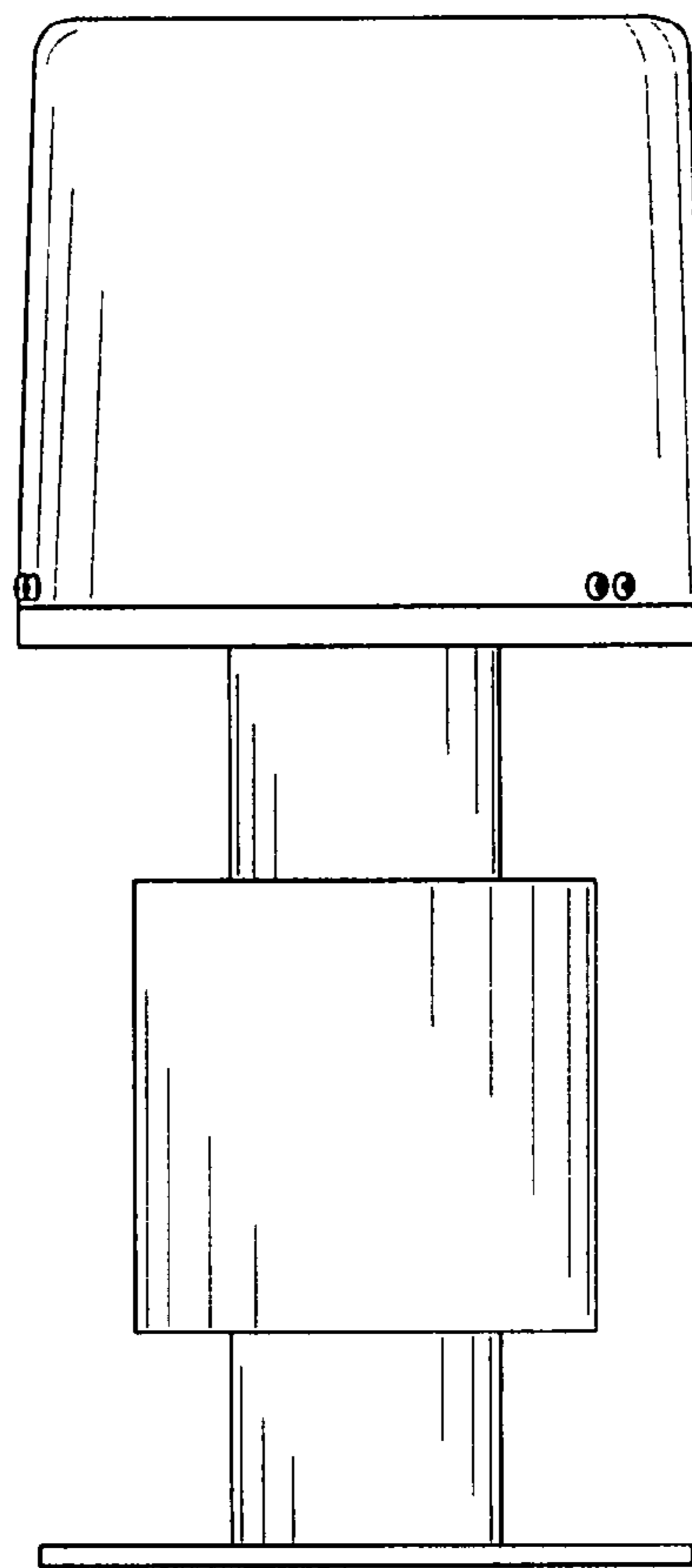


Fig. 2

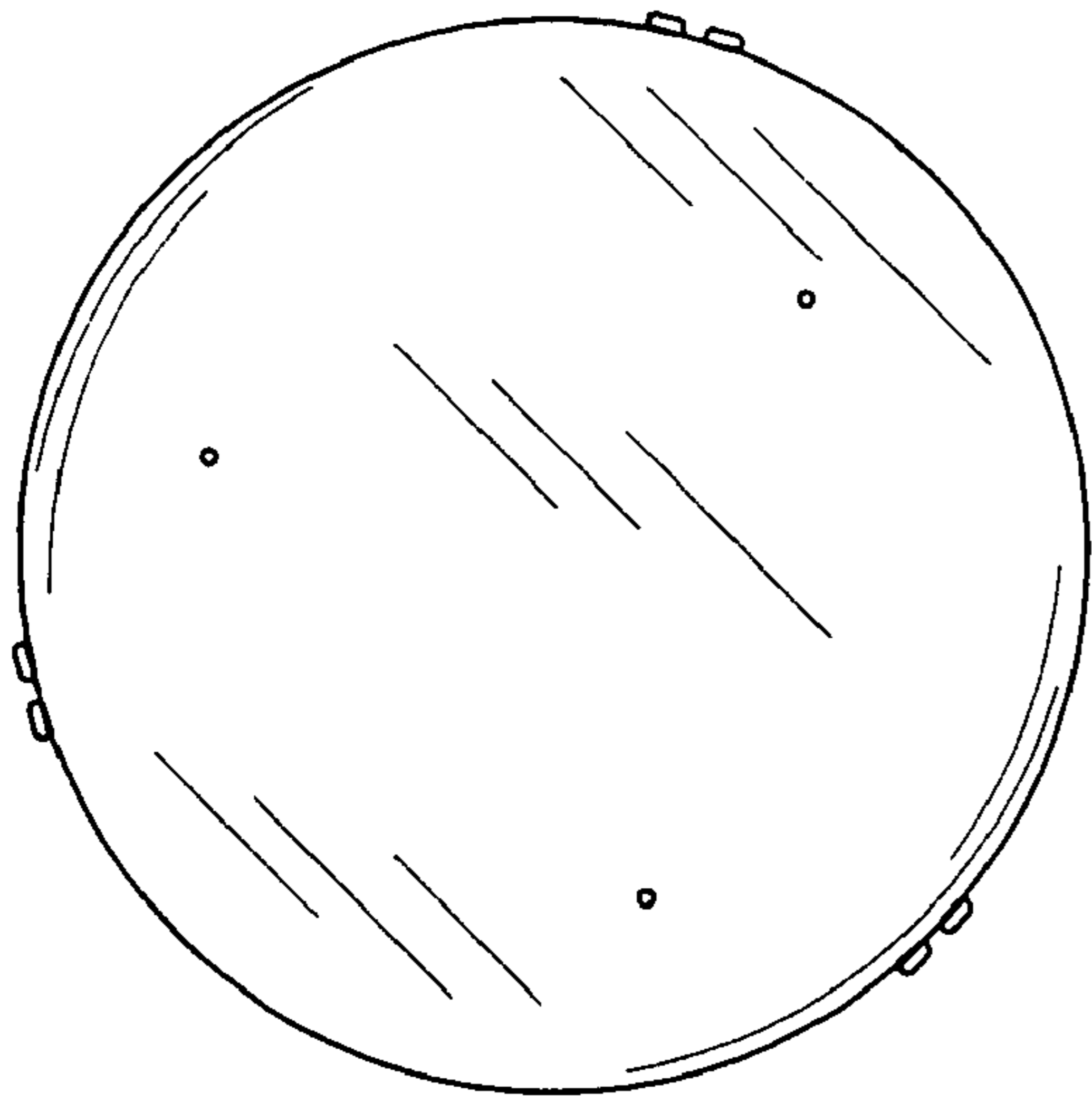


Fig. 3

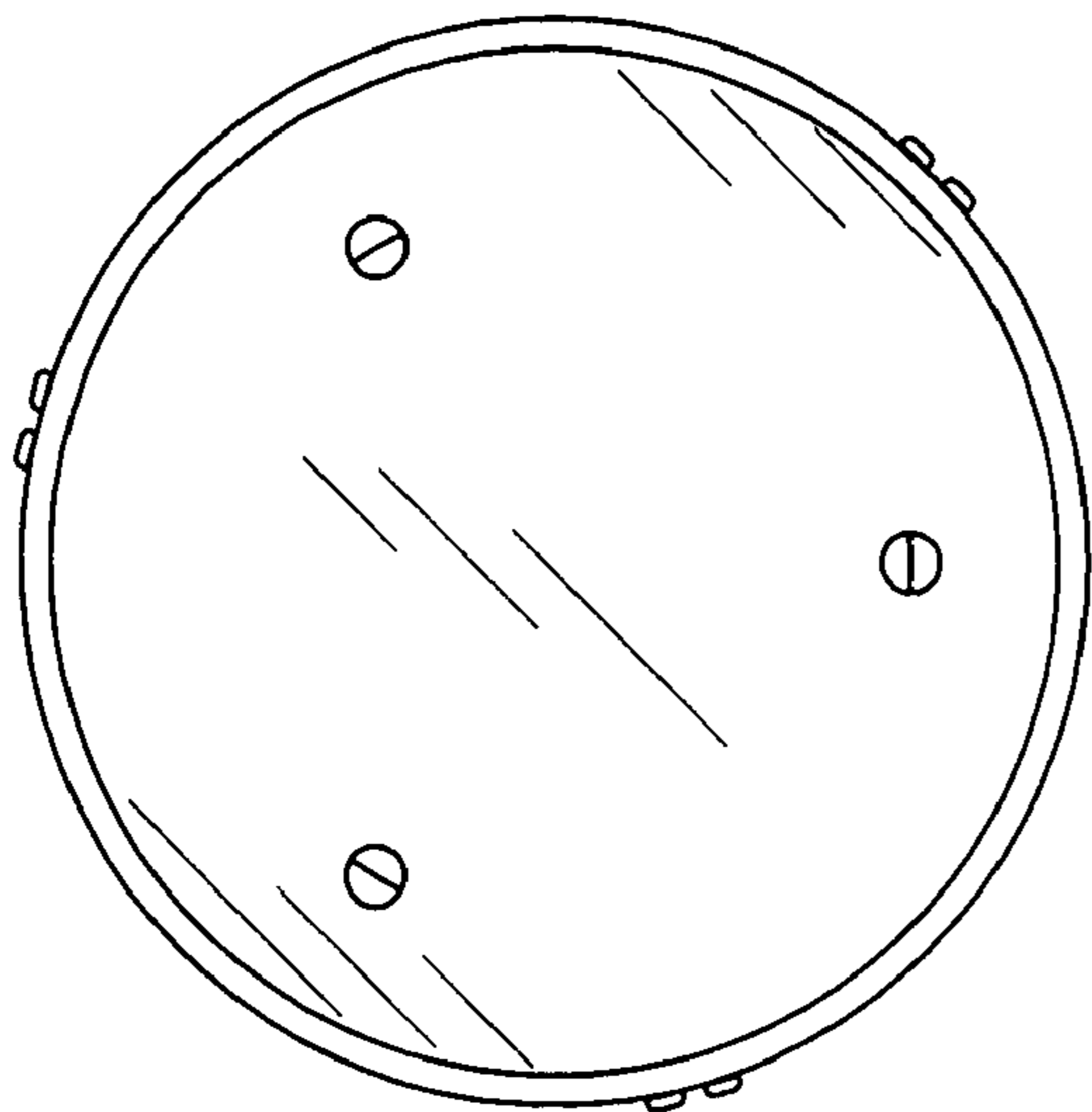


Fig. 4

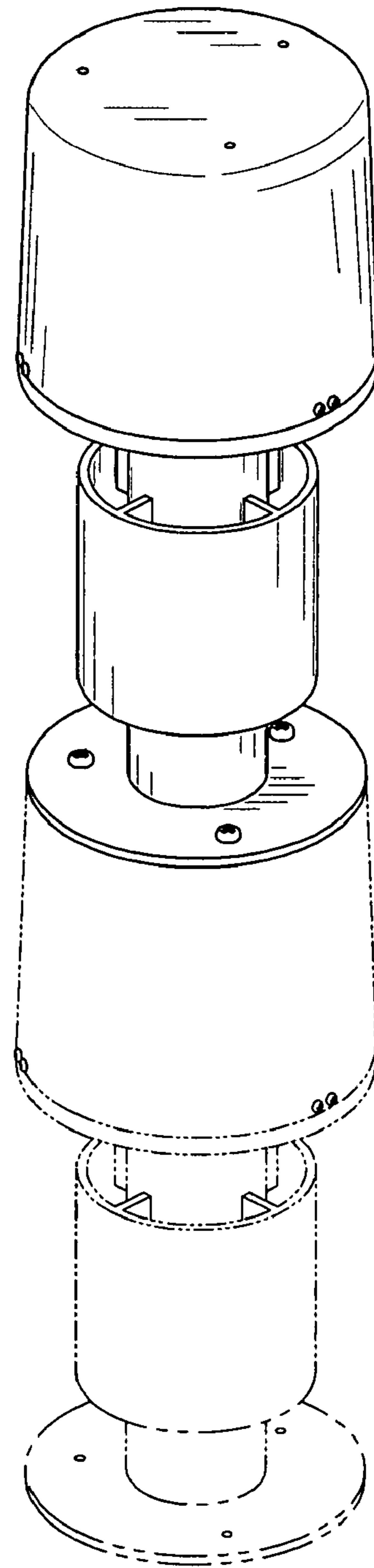


Fig. 5