



US00D556076S

(12) **United States Design Patent**
Jensen et al.

(10) **Patent No.:** **US D556,076 S**

(45) **Date of Patent:** **** Nov. 27, 2007**

(54) **DOOR CHIME COVER**

(75) Inventors: **Bradford Brian Jensen**, St. Joseph, MI (US); **Mark Adam Goldy**, Stevensville, MI (US)

(73) Assignee: **The Lamson & Sessions Co.**, Cleveland, OH (US)

(**) Term: **14 Years**

(21) Appl. No.: **29/276,105**

(22) Filed: **Jan. 16, 2007**

(51) **LOC (8) Cl.** **10-05**

(52) **U.S. Cl.** **D10/118**

(58) **Field of Classification Search** D10/116-120;
D14/257, 215; D23/370, 371; D25/135,
D25/145, 141, 140, 159; D26/85, 72, 159,
D26/158; 340/393, 392, 394, 392.1, 384 E,
340/384 R, 384.1, 384.3, 384.4, 384.5, 384.6,
340/384.7; 256/65.14, 65.01; 52/721.3,
52/721.5, 723.2, 737.5; 361/118; D99/1,
D99/2

See application file for complete search history.

(56) **References Cited**

U.S. PATENT DOCUMENTS

D503,813 S * 4/2005 Steffes et al. D25/133
D509,305 S * 9/2005 Rosian D25/135
D509,307 S * 9/2005 Rosian D25/135
D509,602 S * 9/2005 Rosian D25/135

D509,914 S * 9/2005 Rosian D25/135
D513,331 S * 12/2005 Rosian D25/135
D514,235 S * 1/2006 Rosian D25/135
D514,713 S * 2/2006 Rosian D25/135
D518,189 S * 3/2006 Rosian D25/135
D519,650 S * 4/2006 Rosian D25/135

* cited by examiner

Primary Examiner—Robert M. Spear
Assistant Examiner—George D Kirschbaum
(74) *Attorney, Agent, or Firm*—Jones Day

(57) **CLAIM**

The ornamental design for a door chime cover, as shown and described.

DESCRIPTION

FIG. 1 is a perspective view of a door chime cover embodying the ornamental design of the present invention.

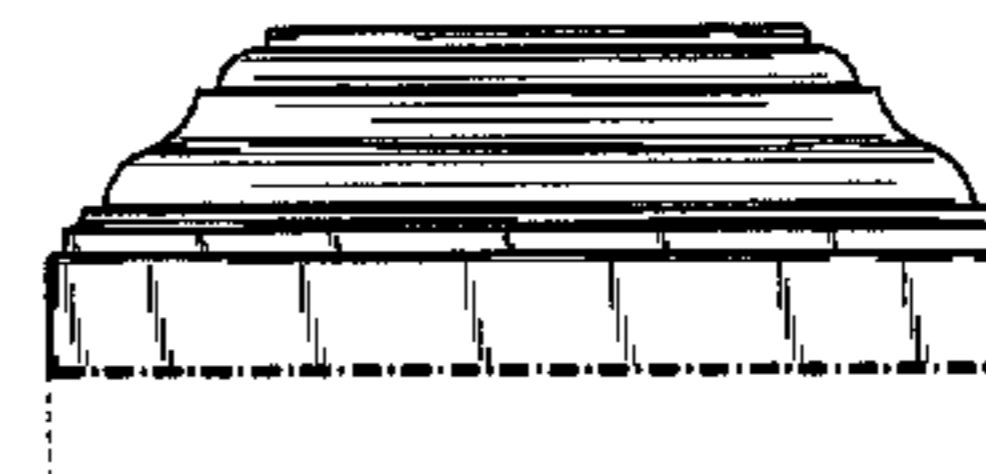
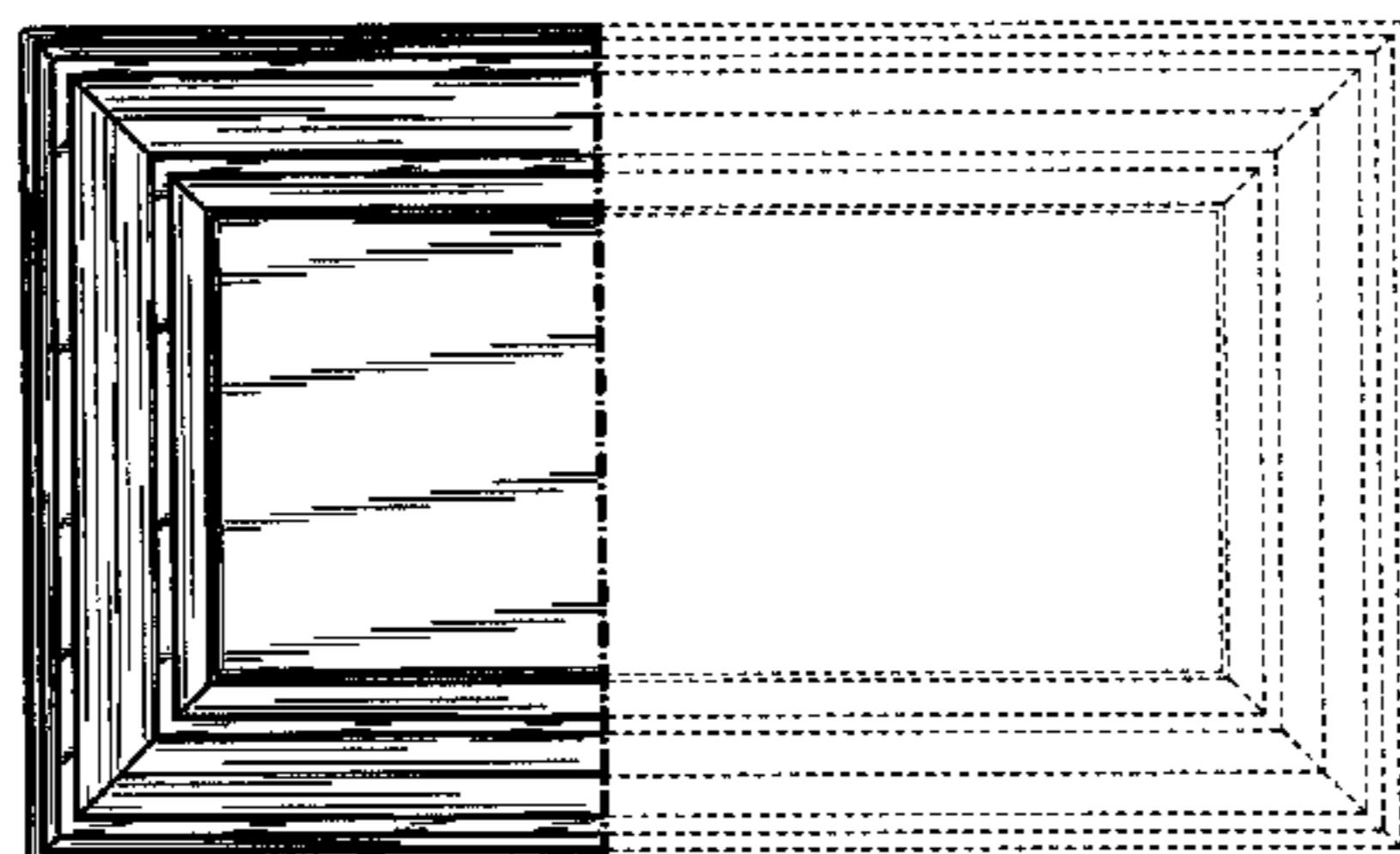
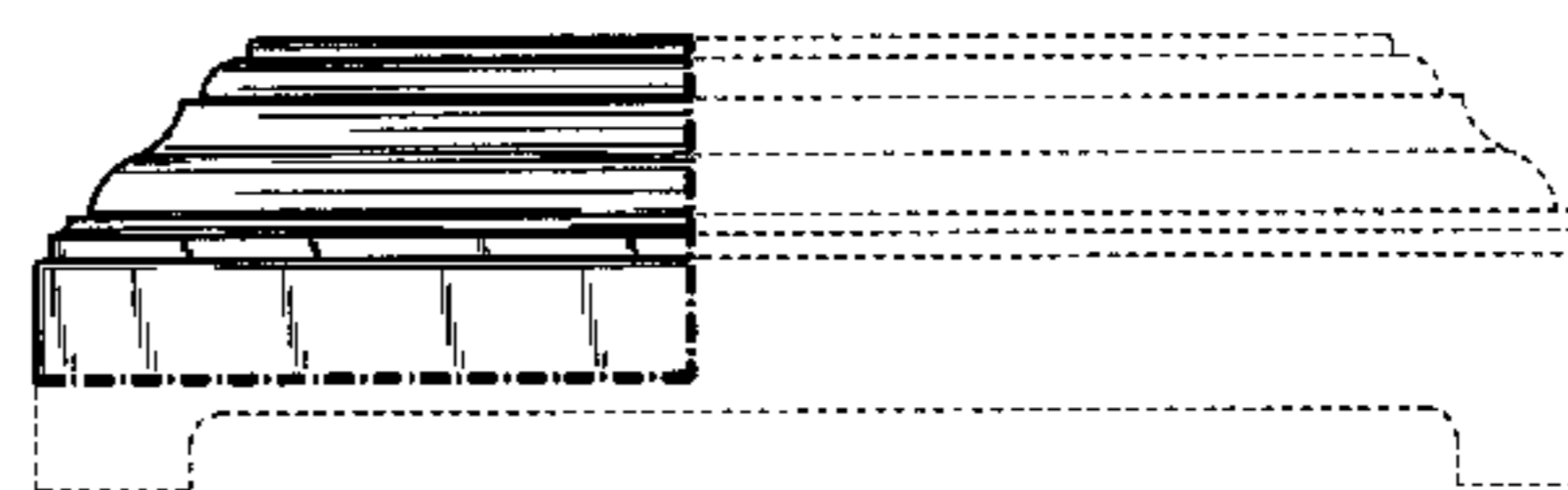
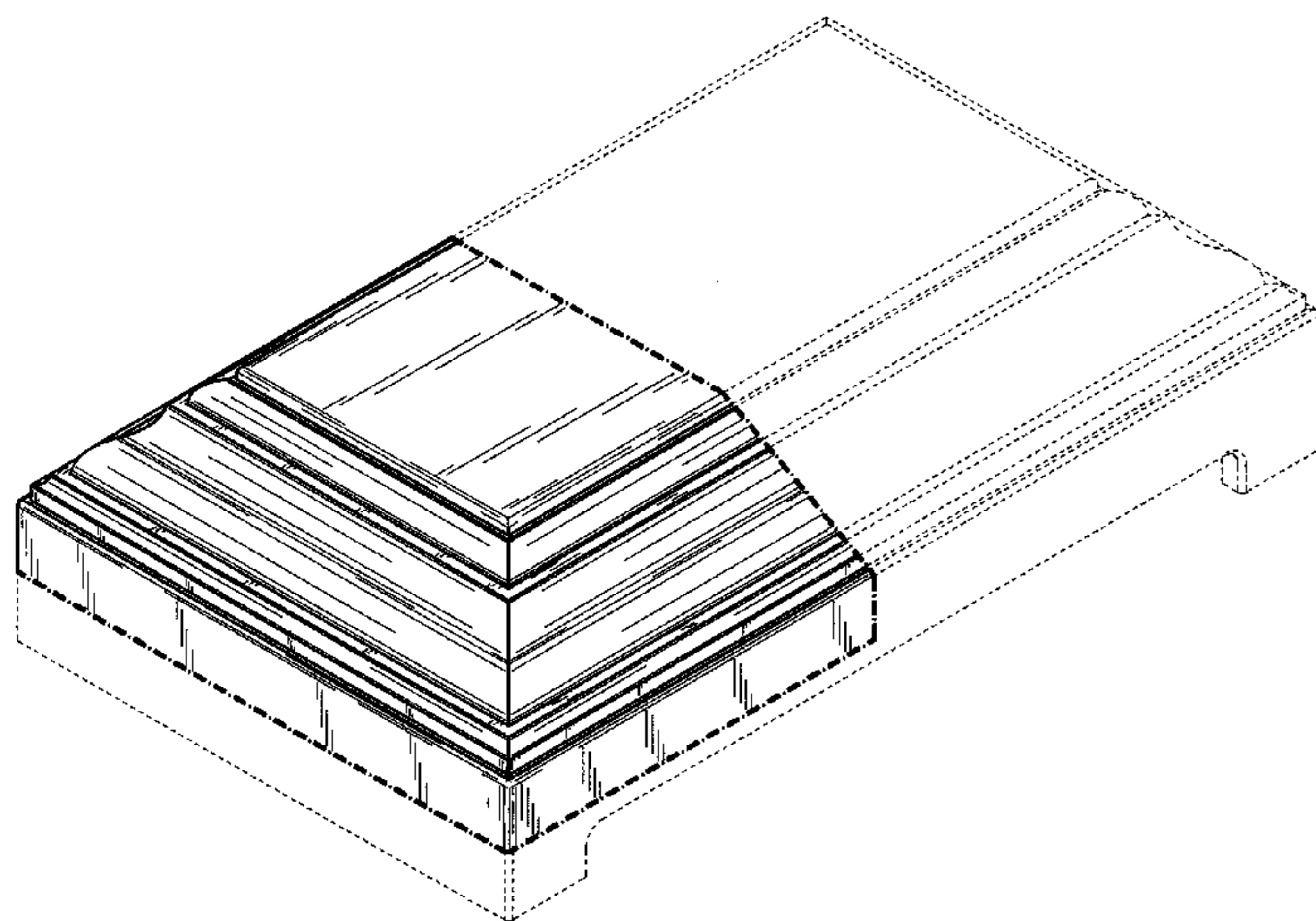
FIG. 2 is a top view thereof.

FIG. 3 is a side view thereof, the opposite side being a mirror image; and,

FIG. 4 is a front view thereof, the rear view being a mirror image.

The broken lines in the figures are for illustrative purposes only and form no part of the claimed design. More specifically, dashed lines indicate unclaimed features. Dot-dash lines, drawn with heavier weight than the dashed lines, define boundaries of the claimed design.

1 Claim, 2 Drawing Sheets



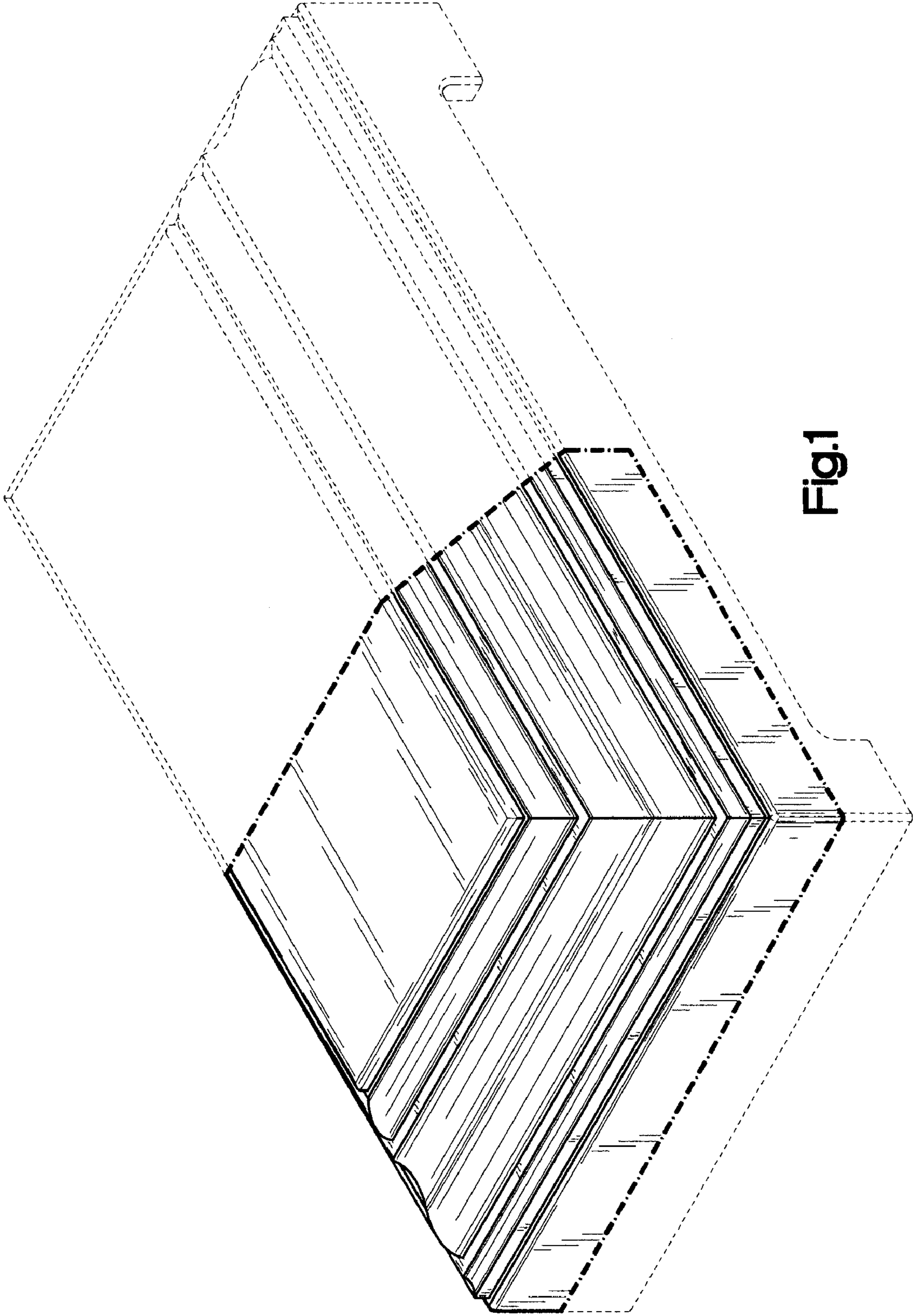


Fig.1

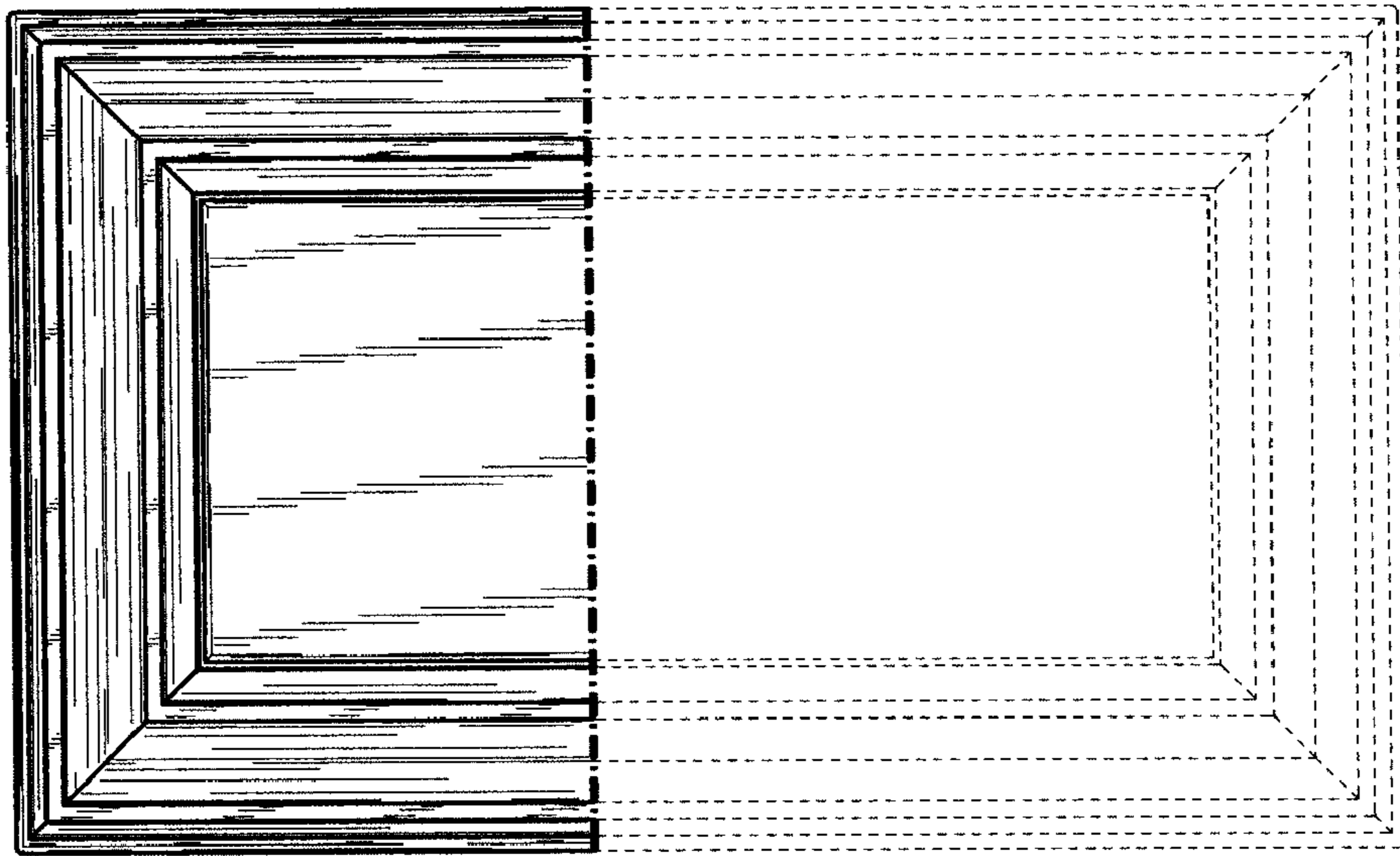


Fig.2

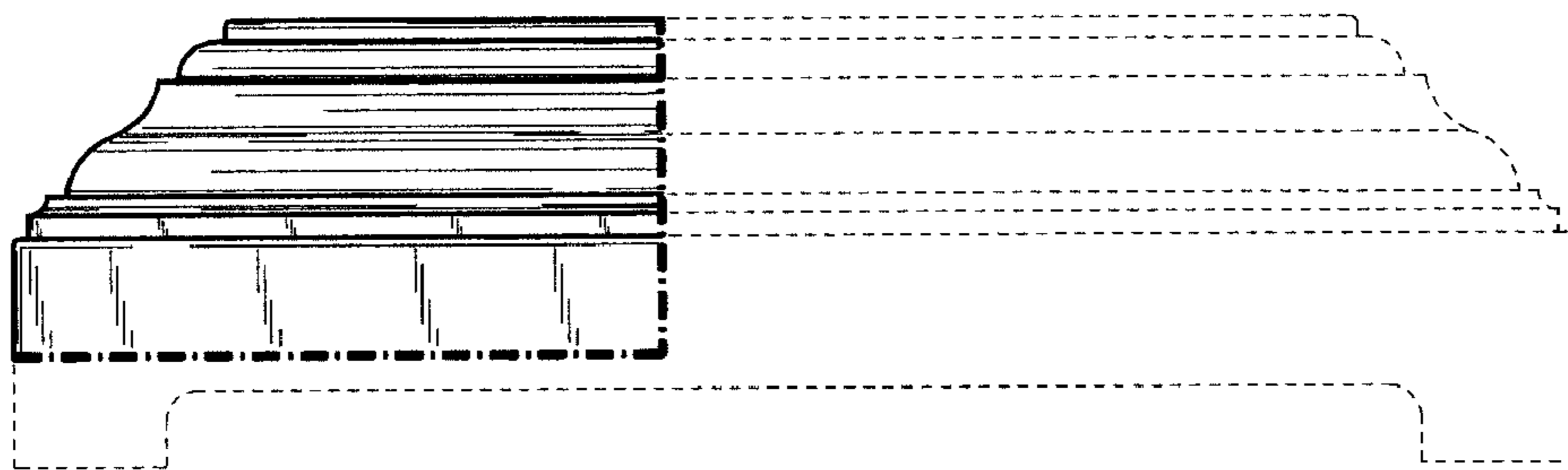


Fig.3

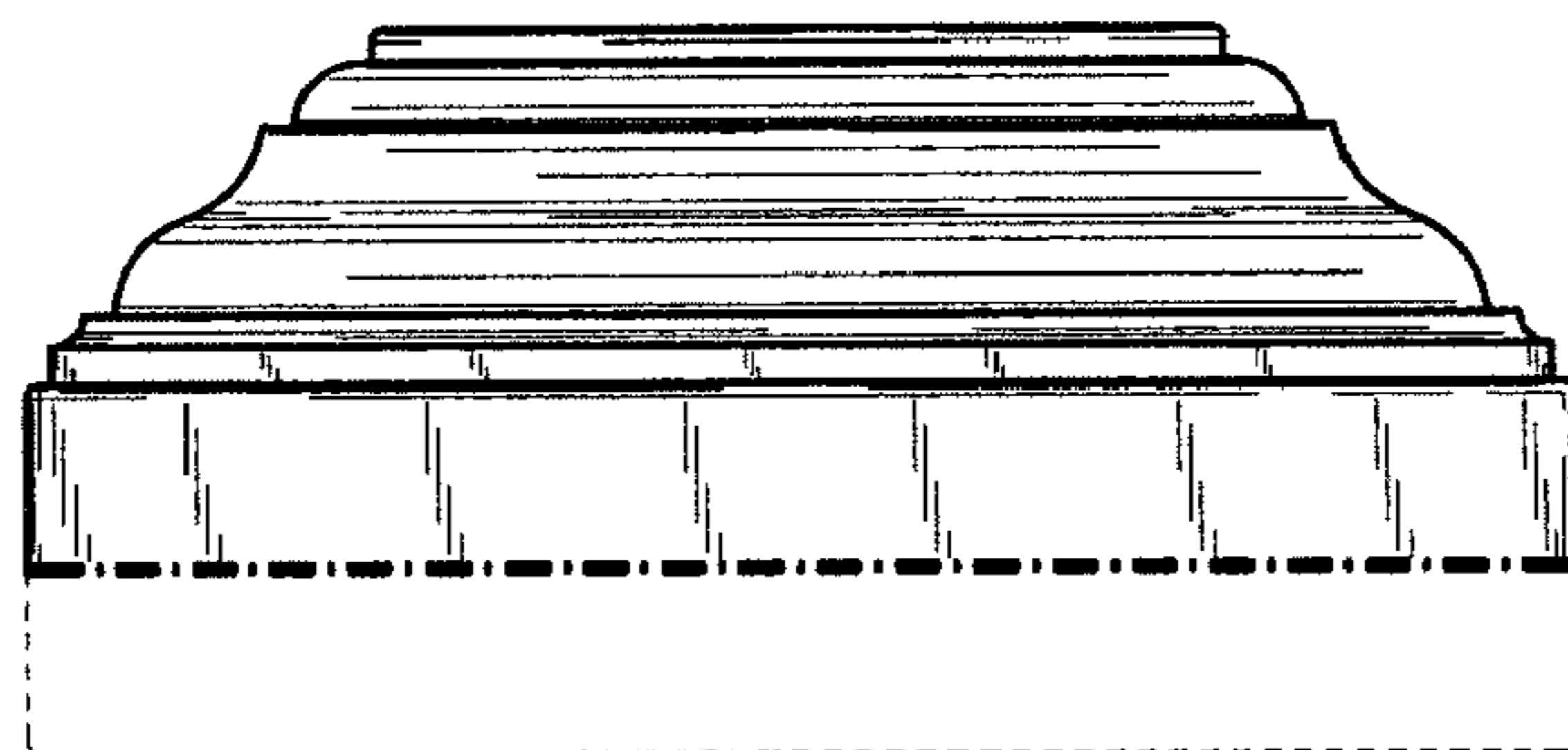


Fig.4