



US00D556072S

(12) **United States Design Patent**
Fawcett et al.

(10) **Patent No.:** **US D556,072 S**
(45) **Date of Patent:** **** Nov. 27, 2007**

(54) **COMBINED HOUSING AND HANDLE FOR A CABLE SECURITY DEVICE**

(75) Inventors: **Christopher J. Fawcett**, Charlotte, NC (US); **Ronald M. Marsilio**, Lake Wiley, SC (US)

(73) Assignee: **Alpha Security Products, Inc.**, Charlotte, NC (US)

(**) Term: **14 Years**

(21) Appl. No.: **29/285,468**

(22) Filed: **Mar. 29, 2007**

Related U.S. Application Data

(62) Division of application No. 29/220,240, filed on Dec. 28, 2004, now Pat. No. Des. 545,228.

(51) **LOC (8) Cl.** **10-05**

(52) **U.S. Cl.** **D10/104; D10/116**

(58) **Field of Classification Search** D10/104-121; D13/139.6, 139.5, 139.4; 70/59-61, 58, 70/57, 57.1; 211/4; 24/3.13, 704.1, 16 PB; 340/568.1; 248/309.1; D8/499, 356; 160/178.1 V; 292/321, 318, 322; 40/663, 664; 206/343
See application file for complete search history.

(56) **References Cited**

U.S. PATENT DOCUMENTS

- RE35,361 E 10/1996 Hogan et al.
- 5,615,463 A 4/1997 Wu
- 5,979,196 A 11/1999 Vanmoor
- D424,465 S 5/2000 Davidson
- 6,092,401 A 7/2000 Sankey et al.
- D484,097 S * 12/2003 Drane et al. D13/139.4

- 6,807,832 B1 10/2004 Jeng
- D515,957 S 2/2006 Dueker et al.
- D521,403 S 5/2006 Shain et al.
- 7,129,841 B2 10/2006 Feibelman
- D533,799 S * 12/2006 Thalhammer et al. D10/106
- D539,229 S * 3/2007 Murphey D13/155
- 7,212,115 B1 * 5/2007 Fawcett 340/546
- 2003/0110818 A1 * 6/2003 Schlipper 70/18
- 2004/0074265 A1 * 4/2004 Bruening et al. 70/59
- 2005/0116827 A1 * 6/2005 Feibelman 340/572.9
- 2005/0270155 A1 * 12/2005 Sayegh 340/572.1
- 2006/0053845 A1 * 3/2006 Benda et al. 70/18
- 2006/0218978 A1 * 10/2006 Toler et al. 70/18
- 2006/0220848 A1 * 10/2006 Tropper 340/568.1

* cited by examiner

Primary Examiner—Robert M. Spear

Assistant Examiner—George D Kirschbaum

(74) *Attorney, Agent, or Firm*—Sand + Sebolt

(57) **CLAIM**

The ornamental design for a combined housing and handle for a cable security device, as shown and described.

DESCRIPTION

FIG. 1 is a top perspective view of a combined housing and handle for a cable security device of our new design with the handle in the closed position;

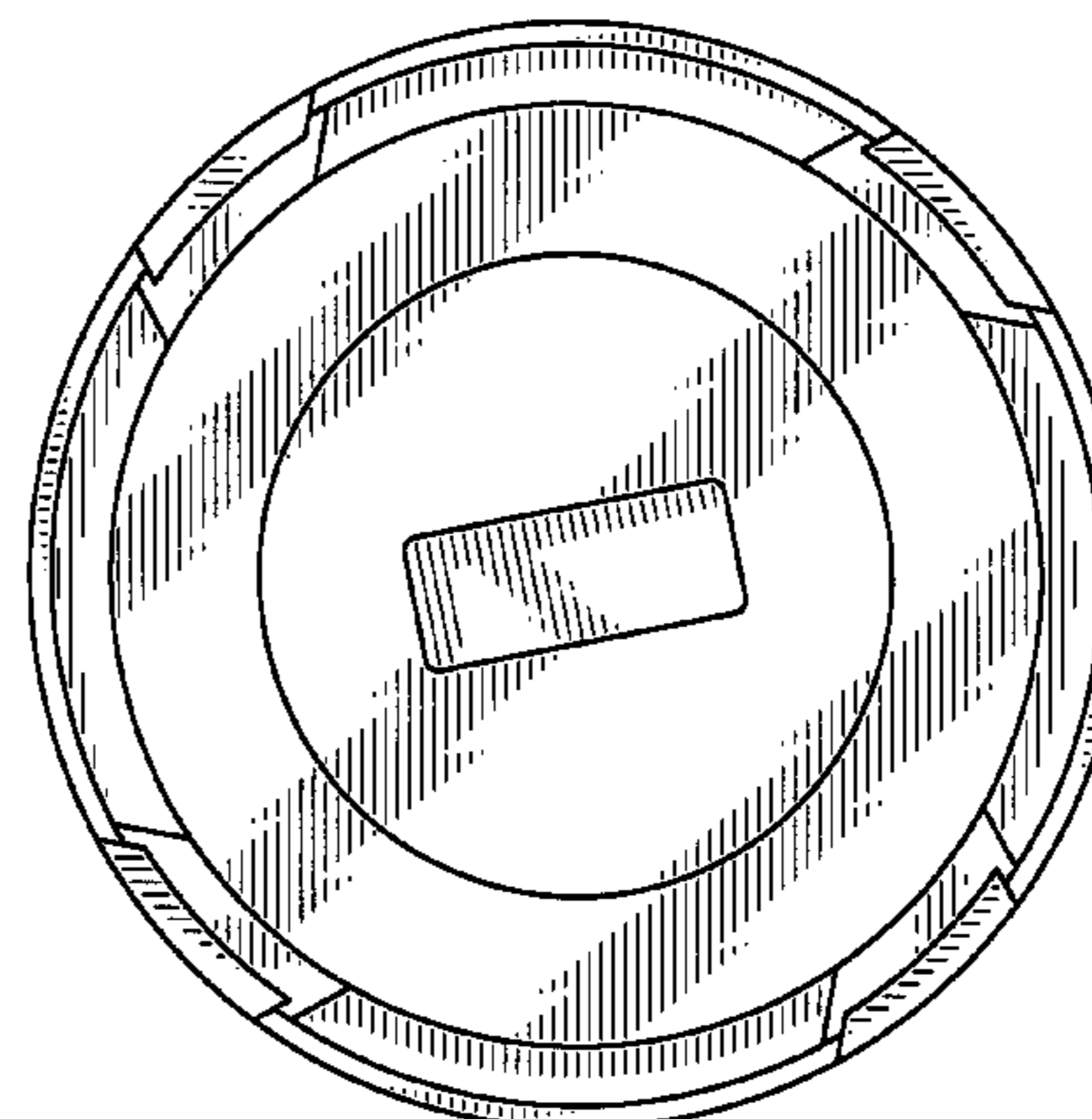
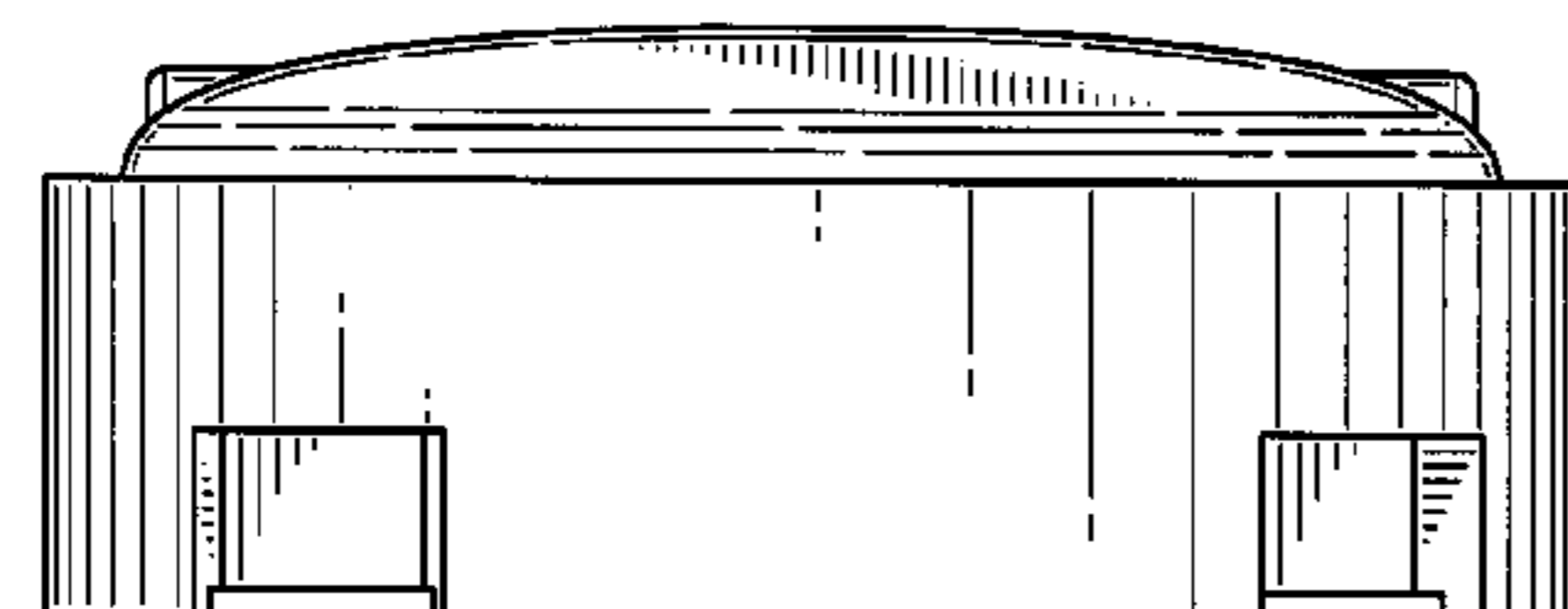
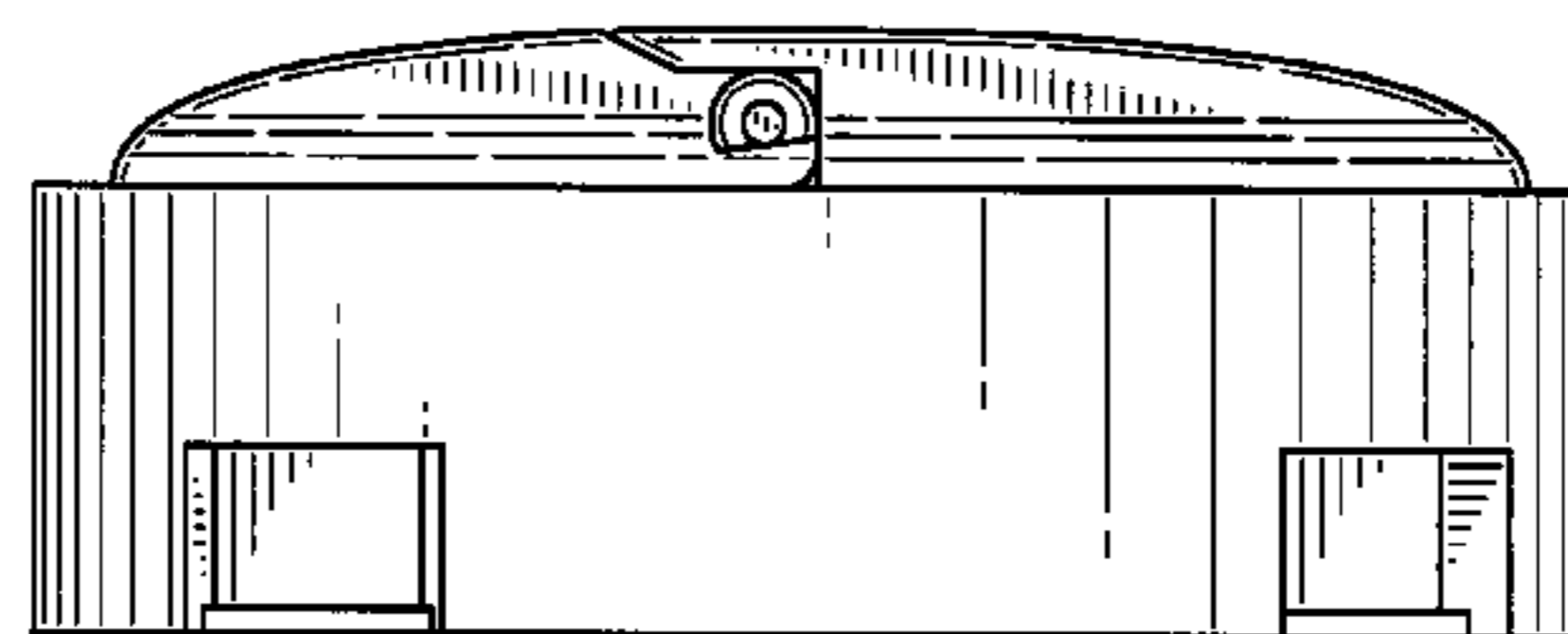
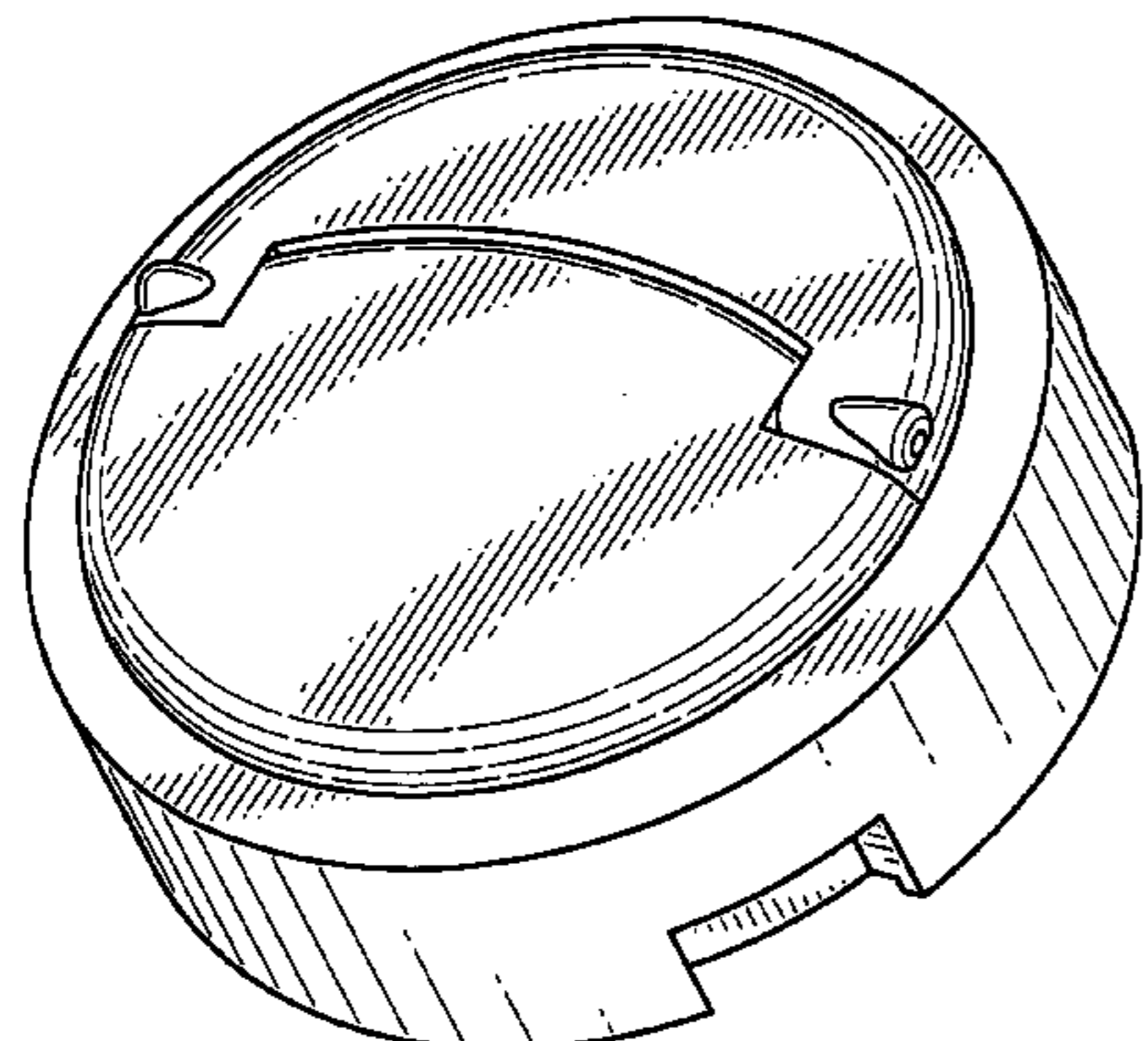
FIG. 2 is a front elevational view thereof;

FIG. 3 is a left side view, the right side being a mirror image thereof;

FIG. 4 is a bottom plan view thereof; and,

FIG. 5 is a top perspective view with the handle in the raised position thereof.

1 Claim, 2 Drawing Sheets



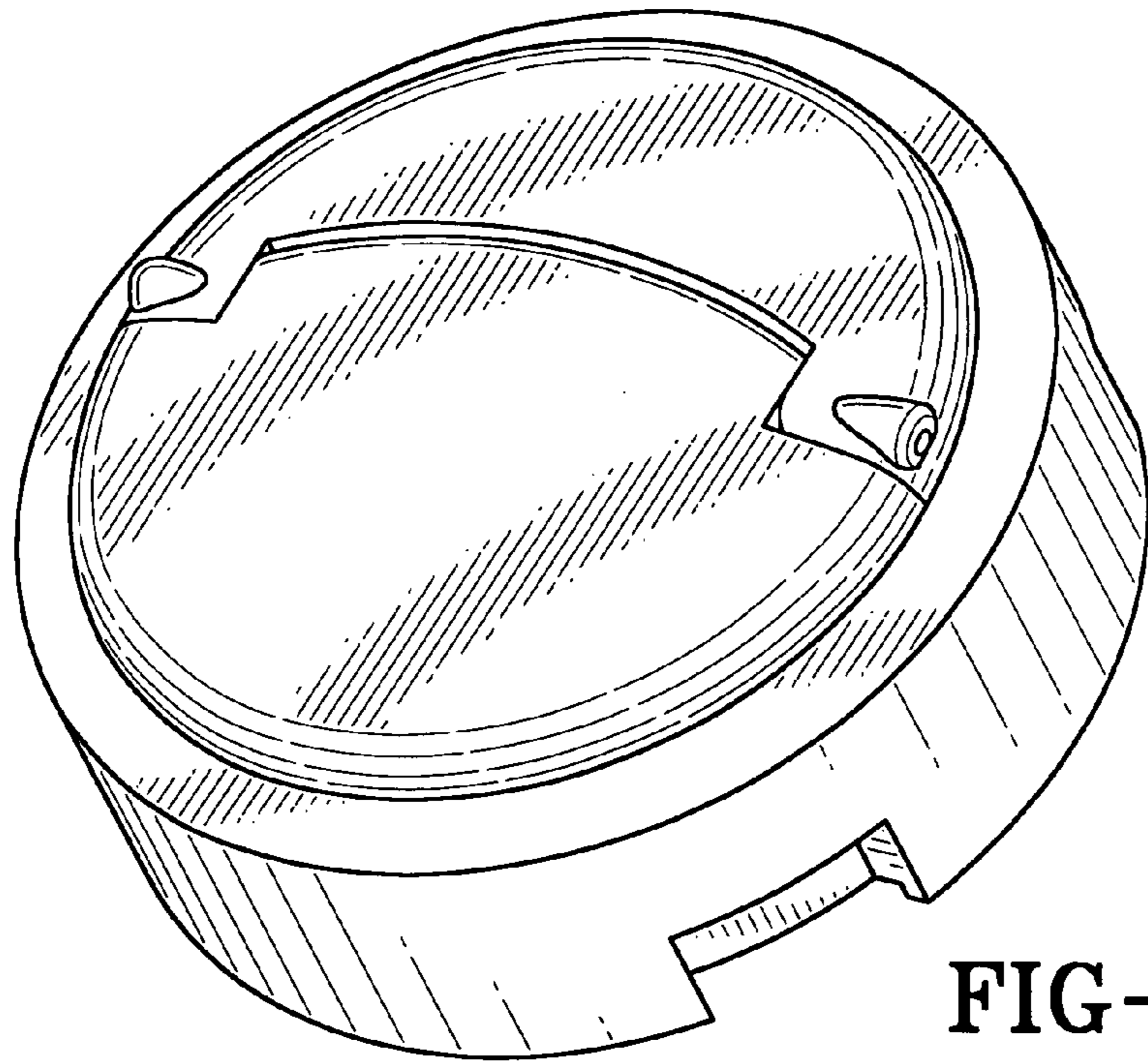


FIG-1

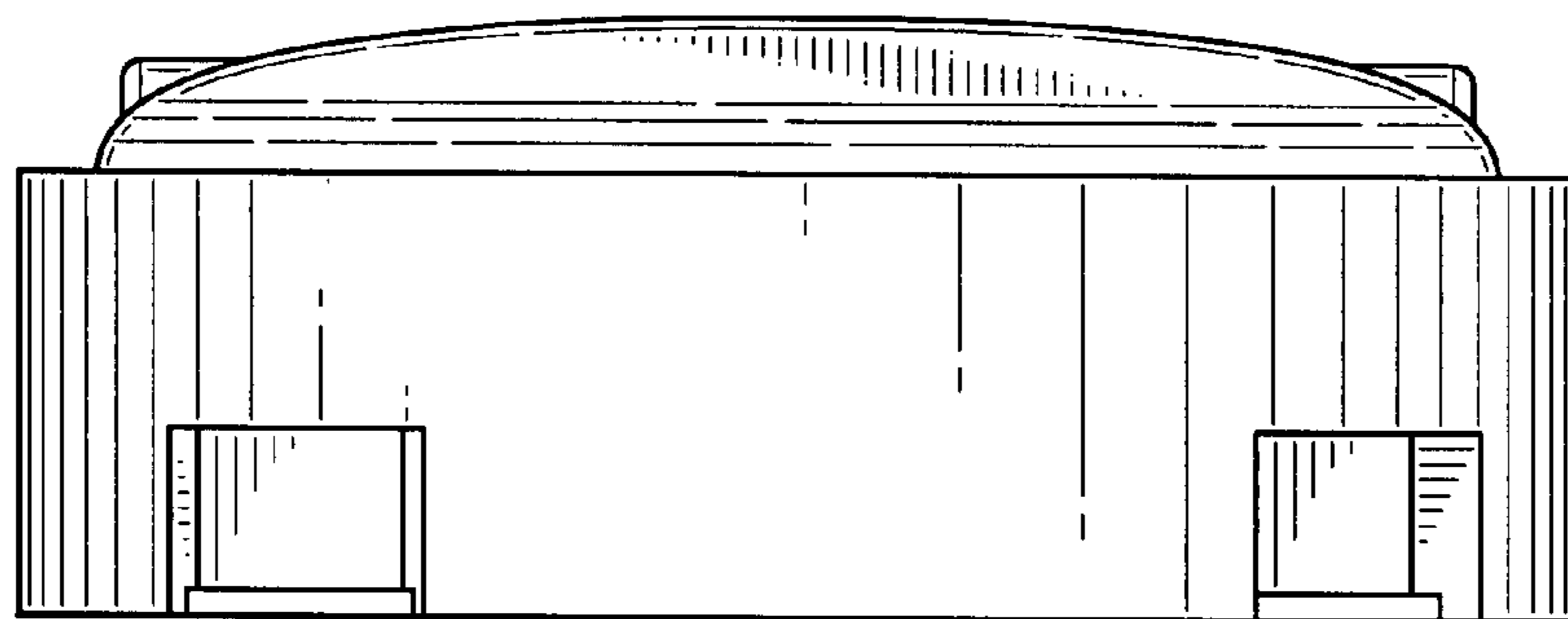


FIG-2

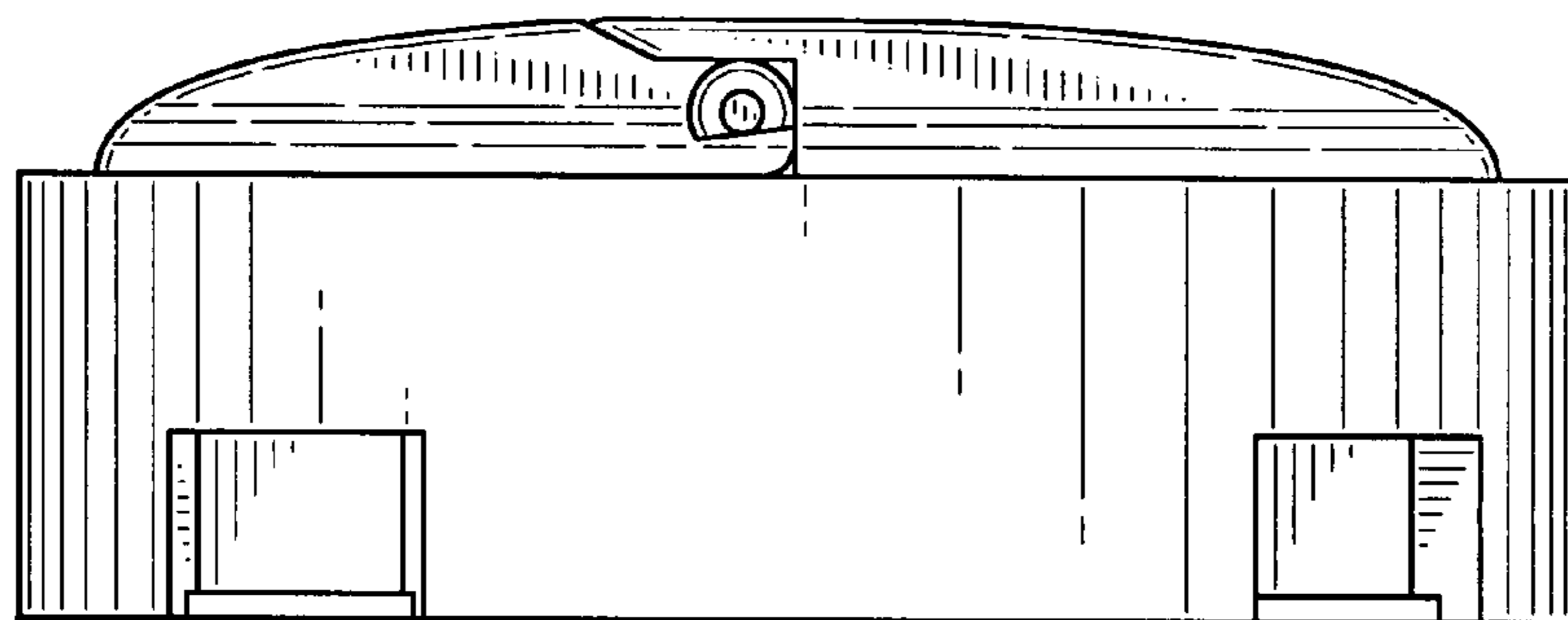


FIG-3

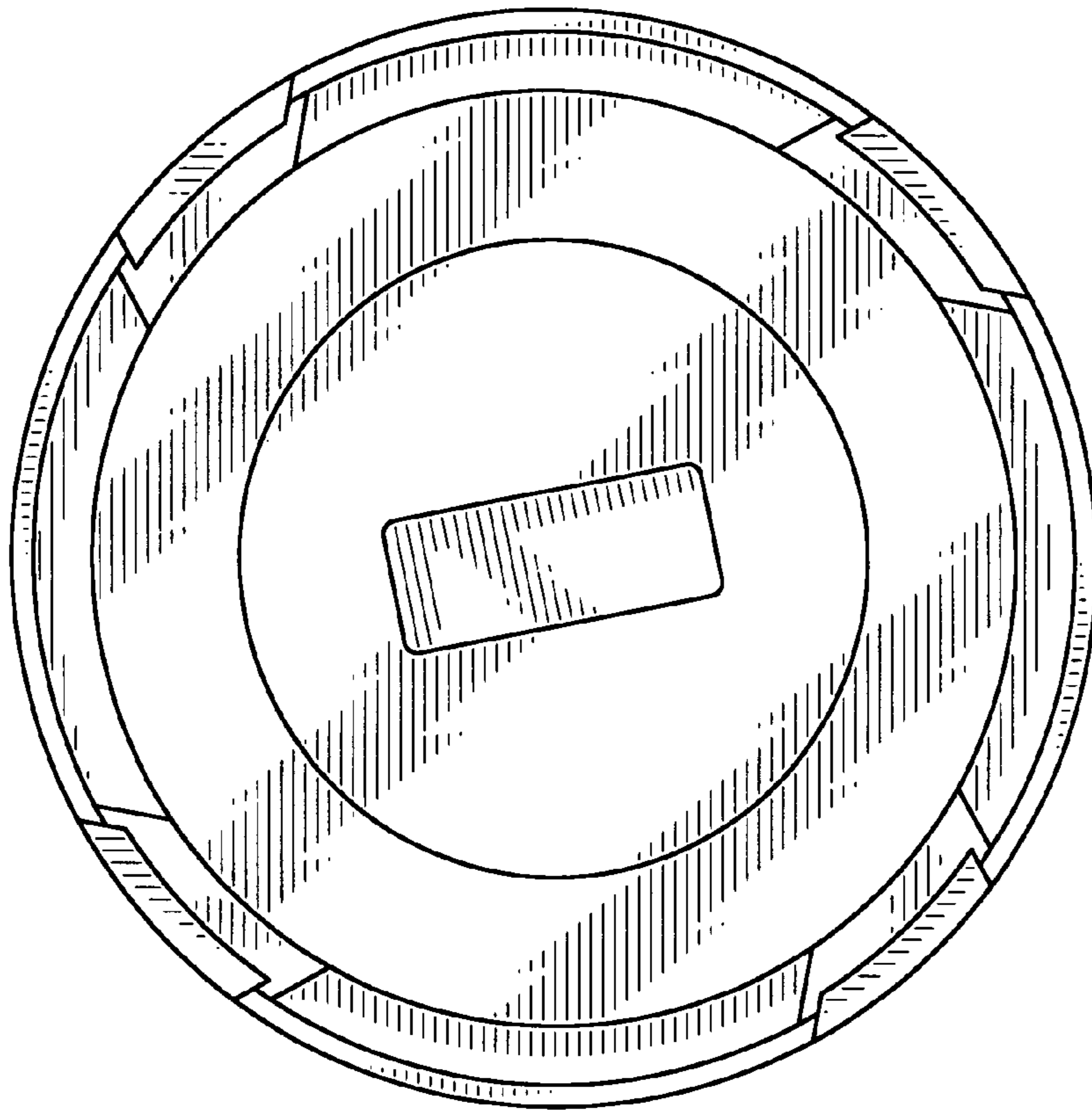


FIG-4

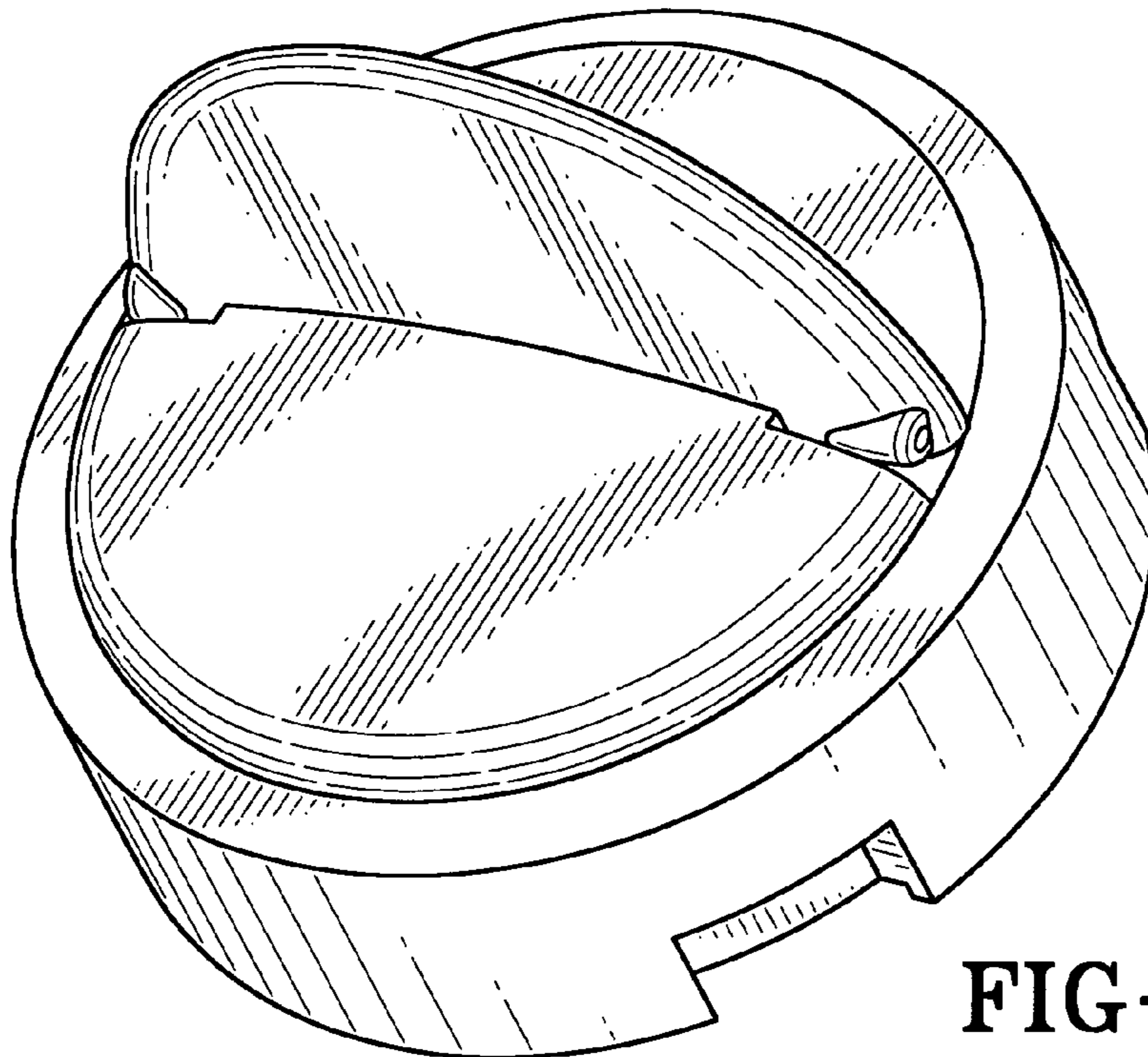


FIG-5