



US00D556070S

(12) **United States Design Patent**
Vayhinger et al.

(10) **Patent No.:** **US D556,070 S**

(45) **Date of Patent:** **** Nov. 27, 2007**

(54) **MOUNTING DEVICE FOR A LOAD CELL**

(75) Inventors: **Klaus Vayhinger**, Lüneburg (DE);
Andreas Kuchel, Hamburg (DE)

(73) Assignee: **Sartorius Hamburg GmbH**, Hamburg (DE)

(**) Term: **14 Years**

(21) Appl. No.: **29/237,605**

(22) Filed: **Sep. 2, 2005**

(30) **Foreign Application Priority Data**

Mar. 2, 2005 (EM) 000303268-0001

(51) **LOC (8) Cl.** **10-04**

(52) **U.S. Cl.** **D10/94**

(58) **Field of Classification Search** D10/94;
177/50, 146

See application file for complete search history.

(56) **References Cited**

U.S. PATENT DOCUMENTS

5,257,668 A * 11/1993 Sargent et al. 177/146

OTHER PUBLICATIONS

“PR 6002 Mounting kit for load cell PR 6202”, Sartorius (pp. 1-4).

* cited by examiner

Primary Examiner—Antoine D. Davis

(74) *Attorney, Agent, or Firm*—Proskauer Rose LLP

(57) **CLAIM**

The ornamental design for a mounting device for a load cell, as shown and described.

DESCRIPTION

FIG. 1 is a perspective view of a mounting device for a load cell according to an embodiment of the present invention; and

FIG. 2 is a front view of the mounting device shown in FIG. 1;

FIG. 3 is a left side view of the mounting device shown in FIG. 1;

FIG. 4 is a right side view of the mounting device shown in FIG. 1; and,

FIG. 5 is a review view of the mounting device shown in FIG. 1.

The mounting device has a top and bottom, the details of which do not form part of the claimed design.

1 Claim, 5 Drawing Sheets

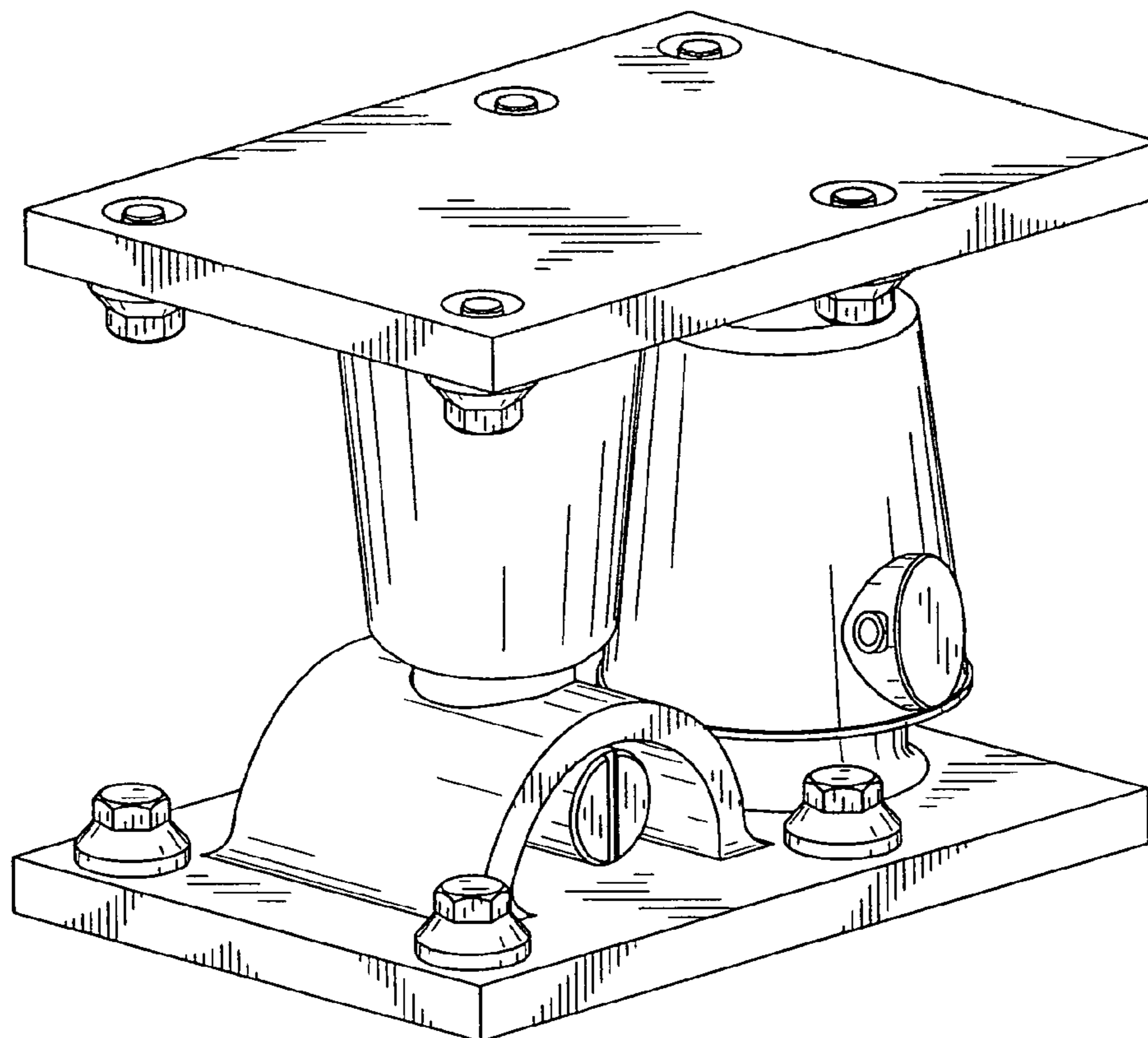


FIG. 1

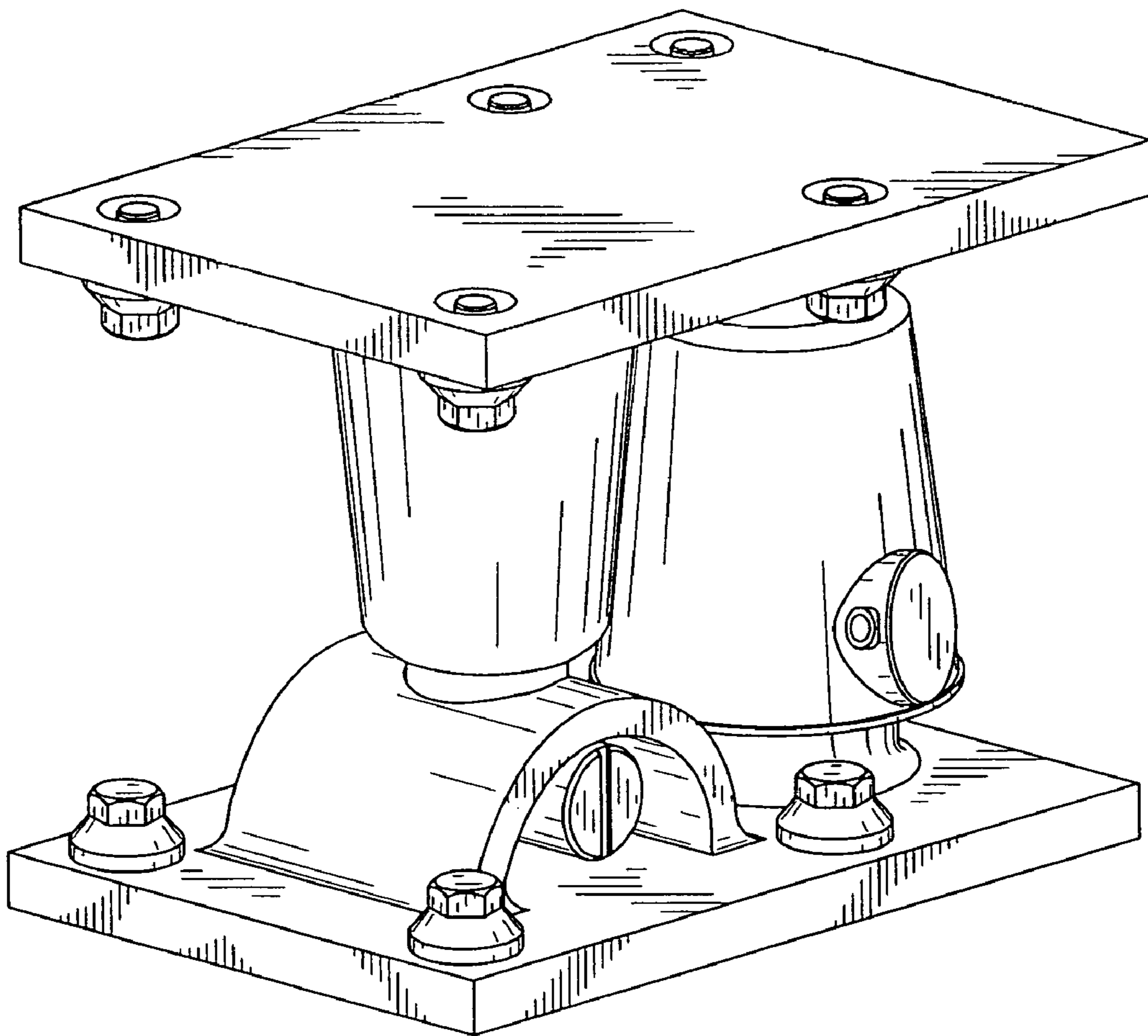


FIG. 2

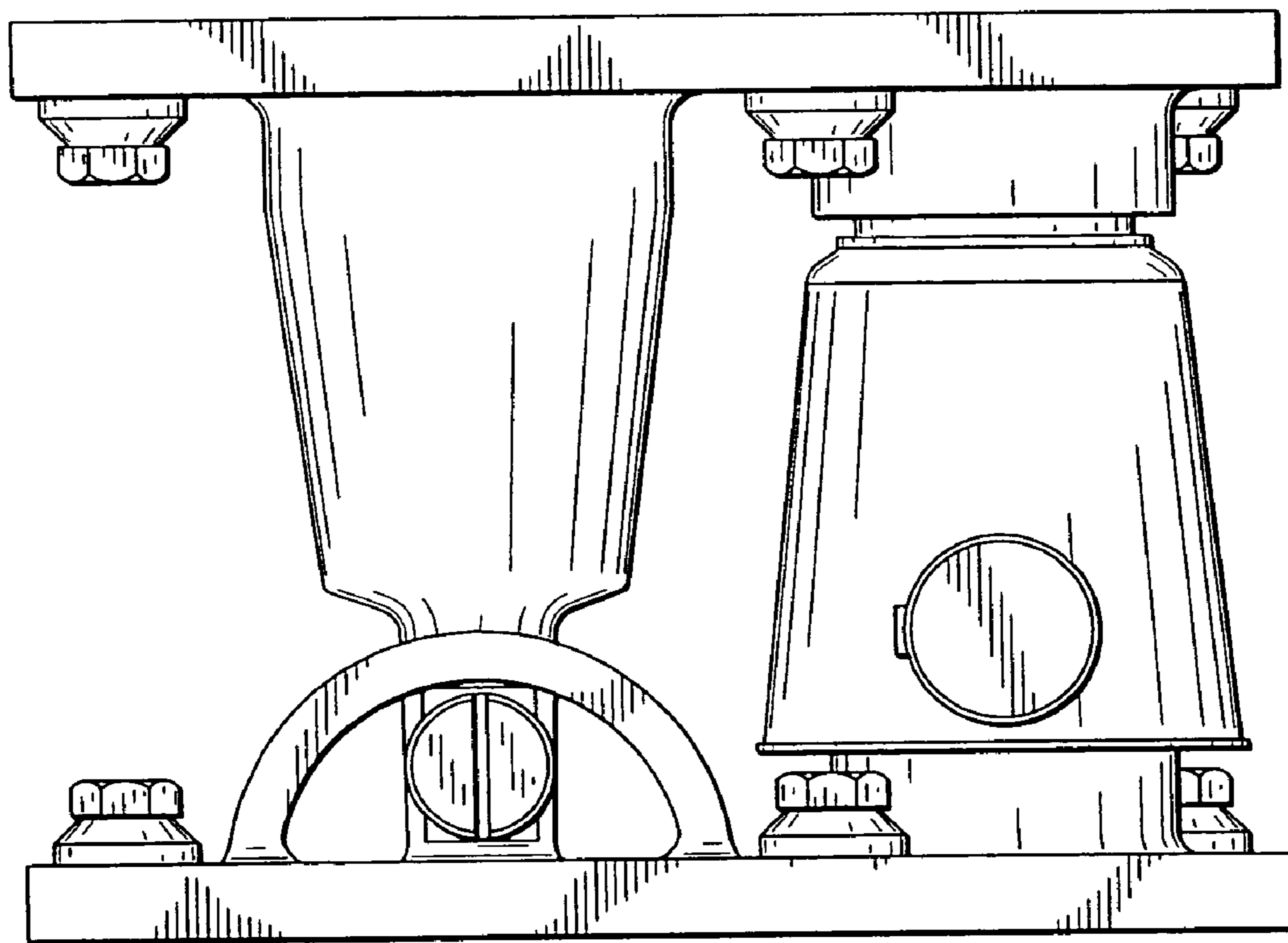


FIG. 3

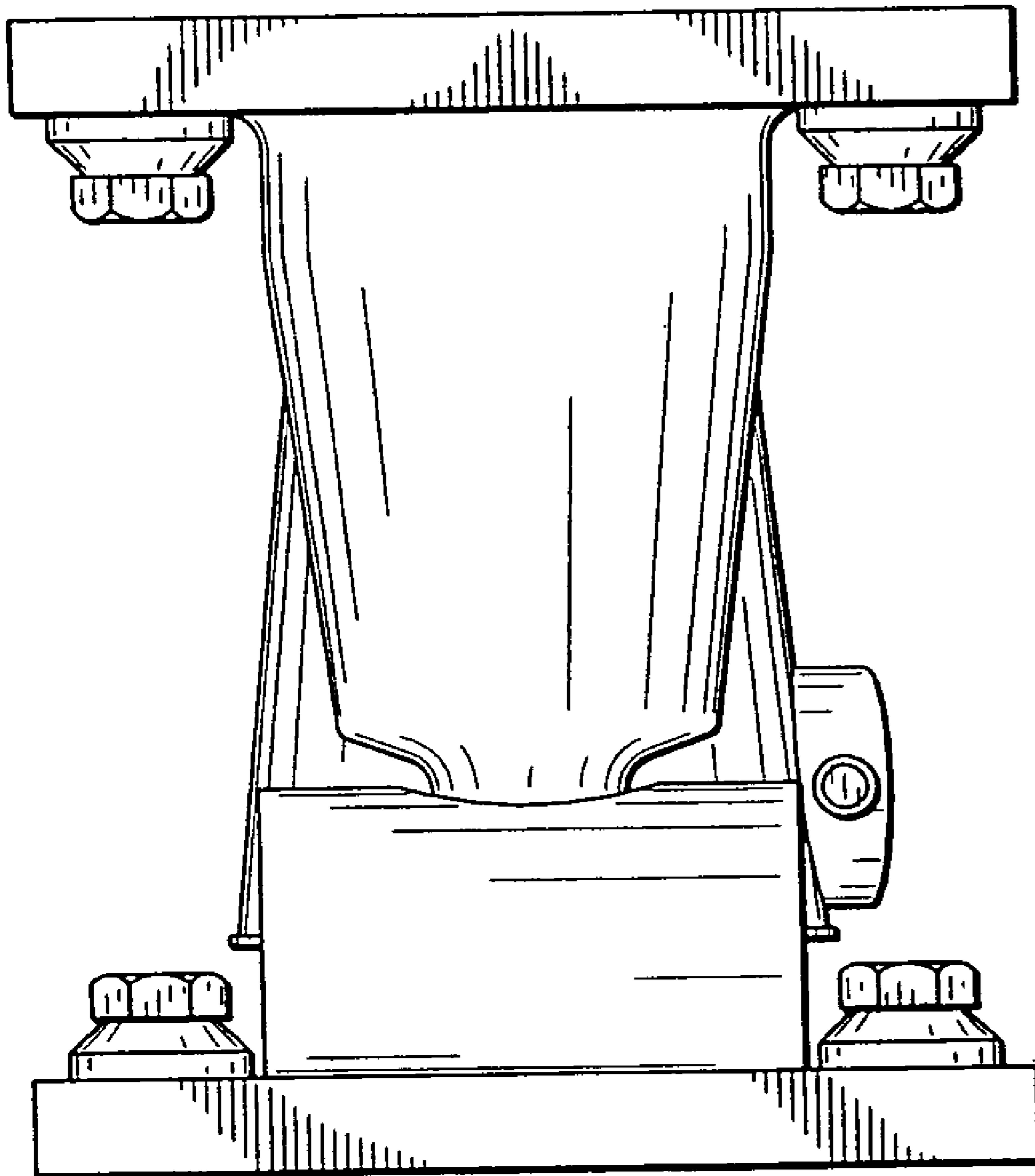


FIG. 4

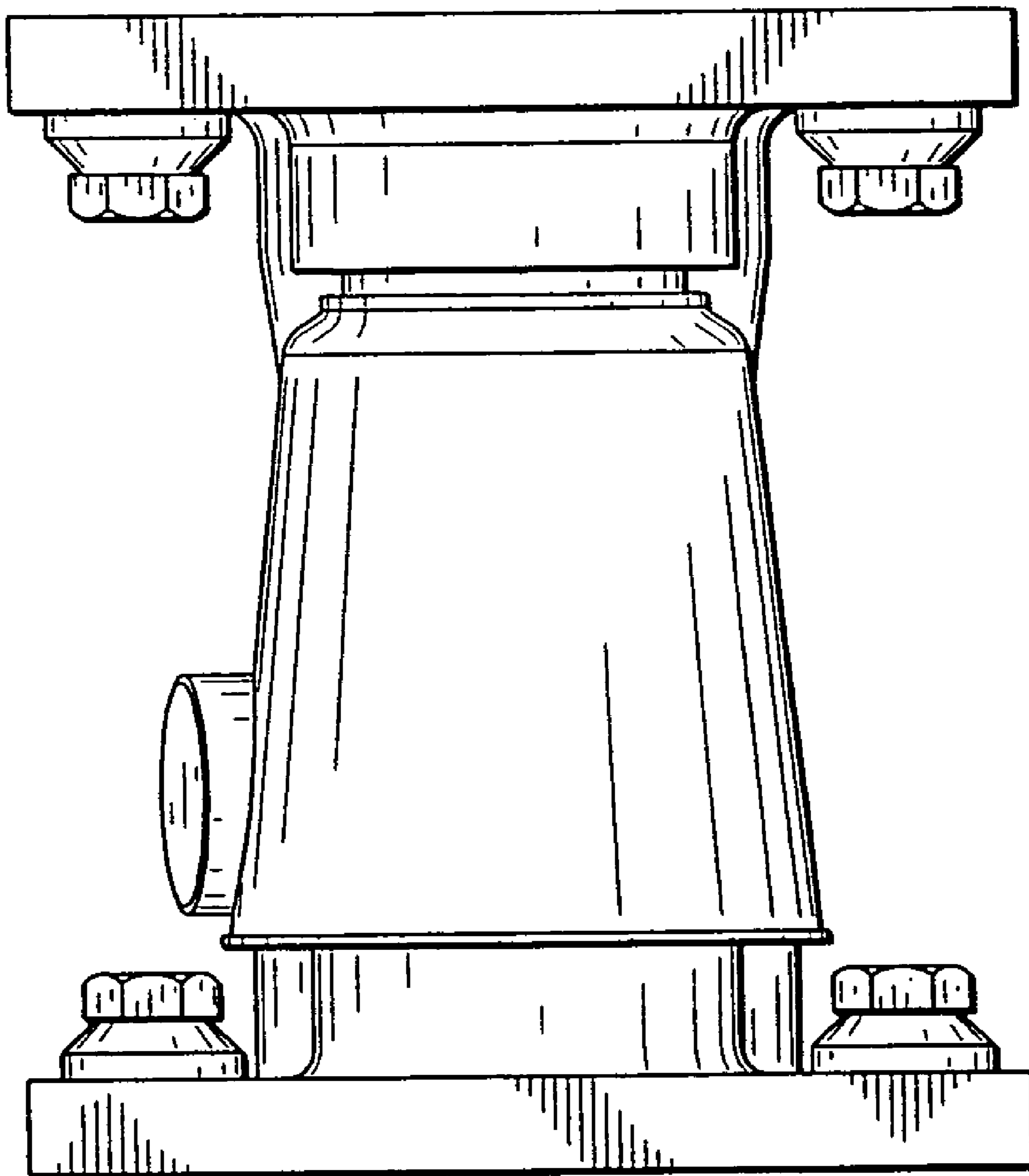


FIG. 5

