



US00D556066S

(12) **United States Design Patent**
Hoang et al.

(10) **Patent No.:** **US D556,066 S**

(45) **Date of Patent:** **** Nov. 27, 2007**

(54) **HOUSING FOR OSCILLOSCOPE**

(75) Inventors: **Thomas Hoang**, Clifton, NJ (US);
Matthew Evans, Monroe, NY (US);
Christopher Busso, Saddle Brook, NJ
(US); **Tyler Cox**, Westtown, NY (US);
Kenneth Johnson, Brewster, NY (US)

(73) Assignee: **Lecroy Corporation**, Chestnut Ridge,
NY (US)

(**) Term: **14 Years**

(21) Appl. No.: **29/251,566**

(22) Filed: **Jan. 10, 2006**

(51) **LOC (8) Cl.** **10-04**

(52) **U.S. Cl.** **D10/76**

(58) **Field of Classification Search** D10/75,
D10/76; 324/102, 112, 121 R; 340/734,
340/747, 798; 354/487

See application file for complete search history.

(56) **References Cited**

U.S. PATENT DOCUMENTS

5,003,248 A * 3/1991 Johnson 324/121 R

5,247,287 A * 9/1993 Jonker et al. 324/121 R
D377,319 S * 1/1997 Amano et al. D10/75
D423,383 S * 4/2000 Fernandez et al. D10/76
6,437,552 B1 * 8/2002 Sekel et al. 324/121 R
D501,414 S * 2/2005 Graef et al. D10/76

* cited by examiner

Primary Examiner—Antoine D. Davis

(74) *Attorney, Agent, or Firm*—Gordon Kessler

(57) **CLAIM**

The ornamental design for the housing for oscilloscope, as shown and described.

DESCRIPTION

FIG. 1 is a perspective view of a first embodiment of the housing for oscilloscope showing our design;

FIG. 2 is a front elevational view thereof;

FIG. 3 is a top plan view thereof;

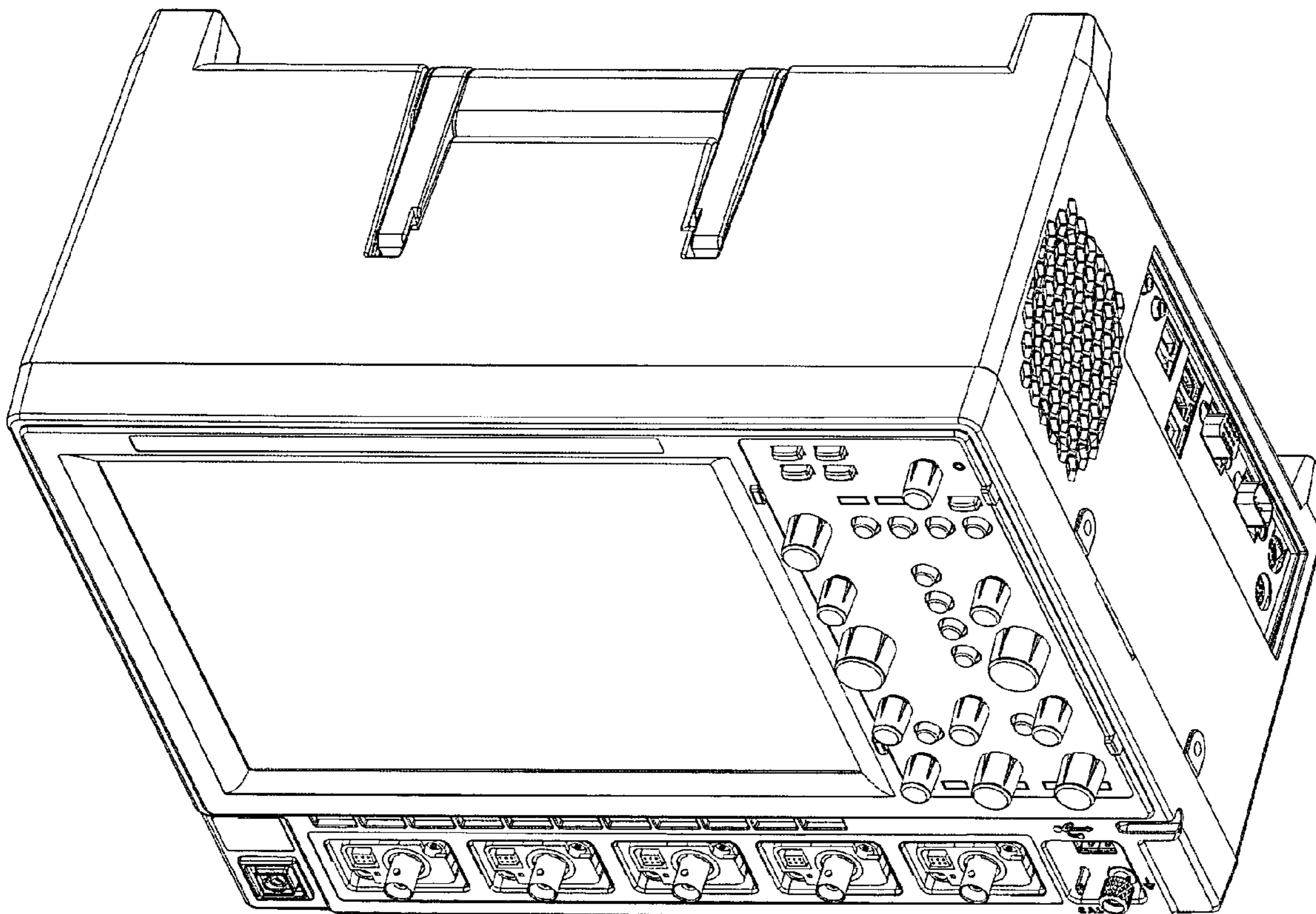
FIG. 4 is a right side elevational view thereof;

FIG. 5 is a left side elevational view thereof;

FIG. 6 is a rear elevational view thereof; and,

FIG. 7 is a bottom plan view thereof.

1 Claim, 7 Drawing Sheets



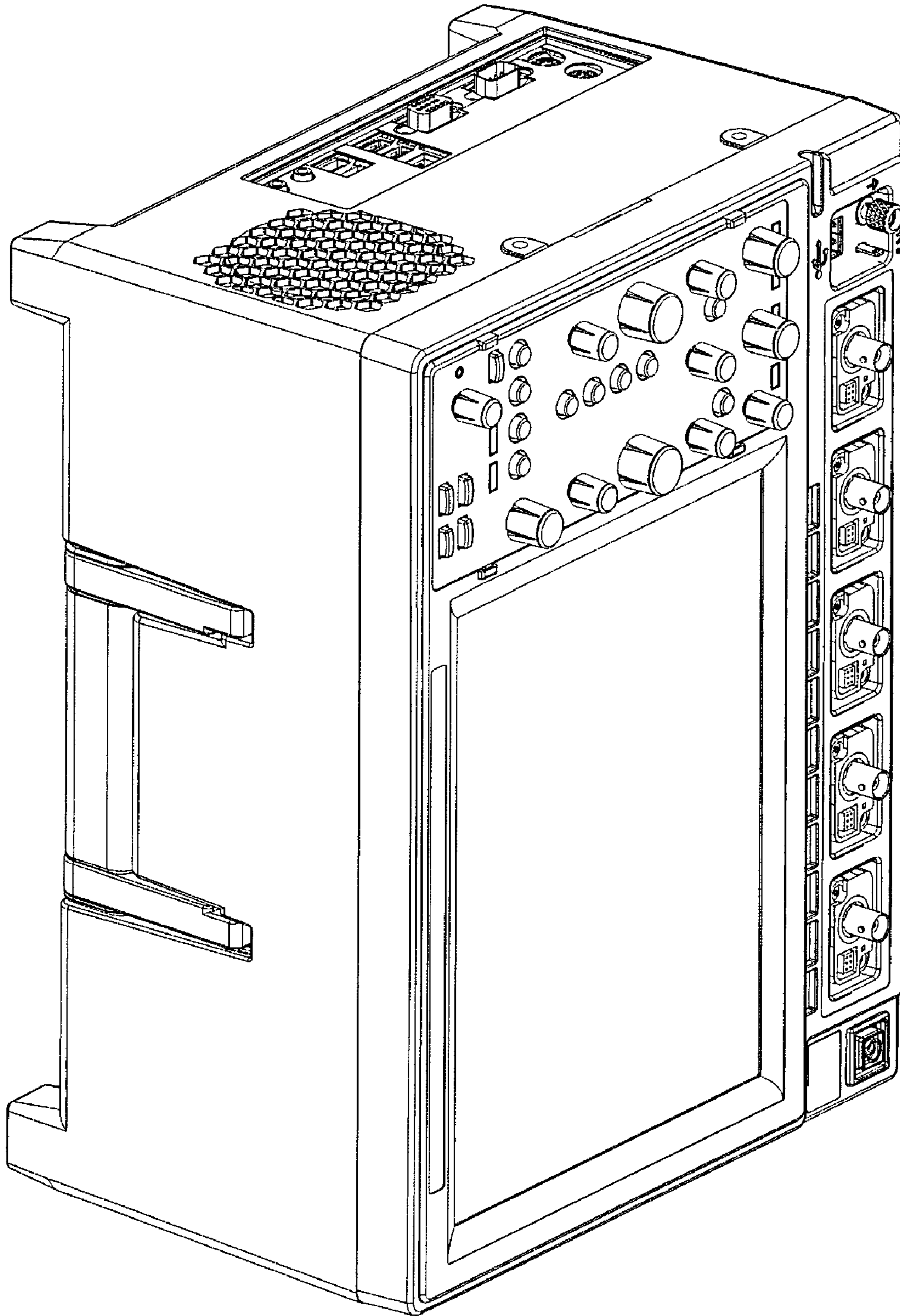


Figure 1

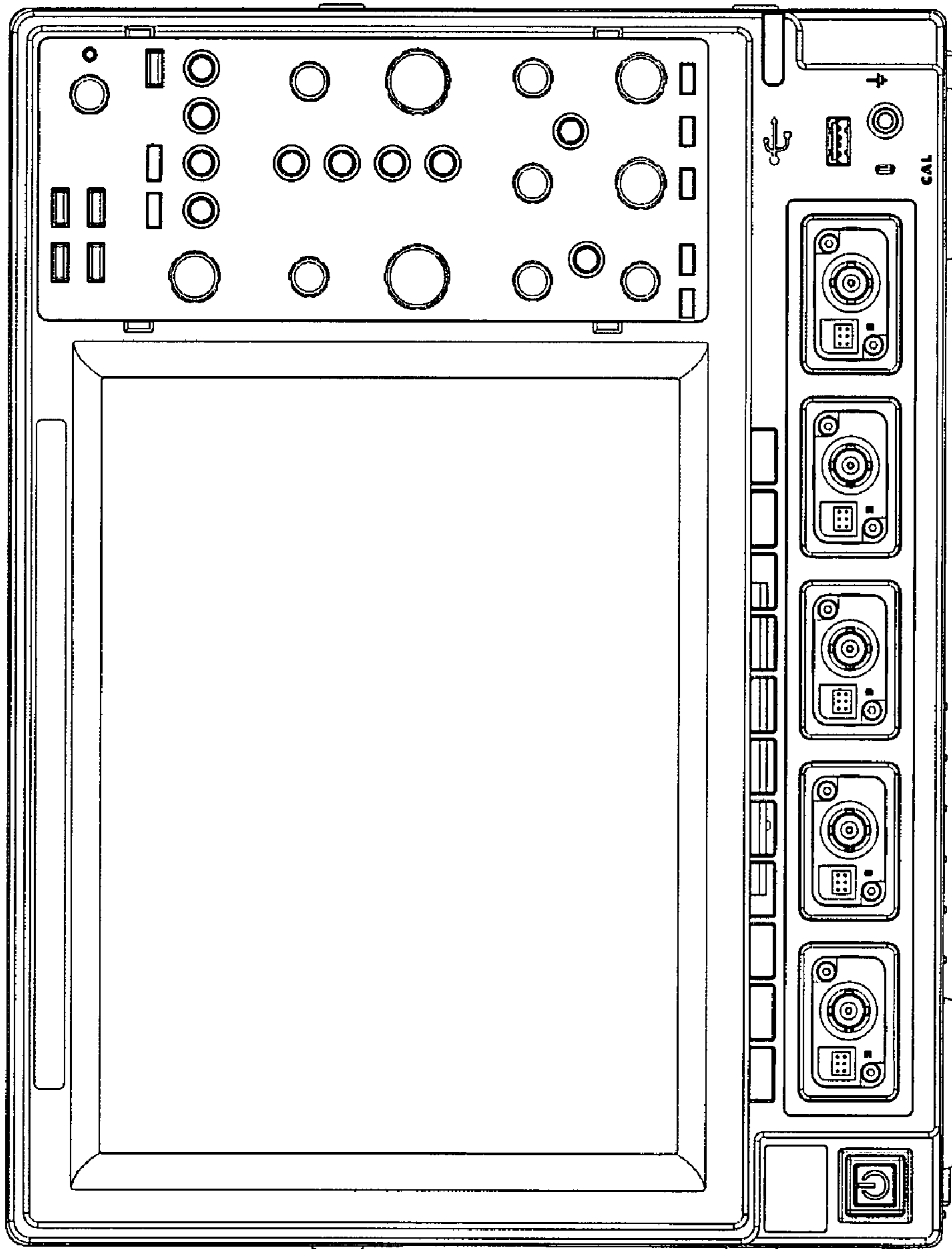


Figure 2

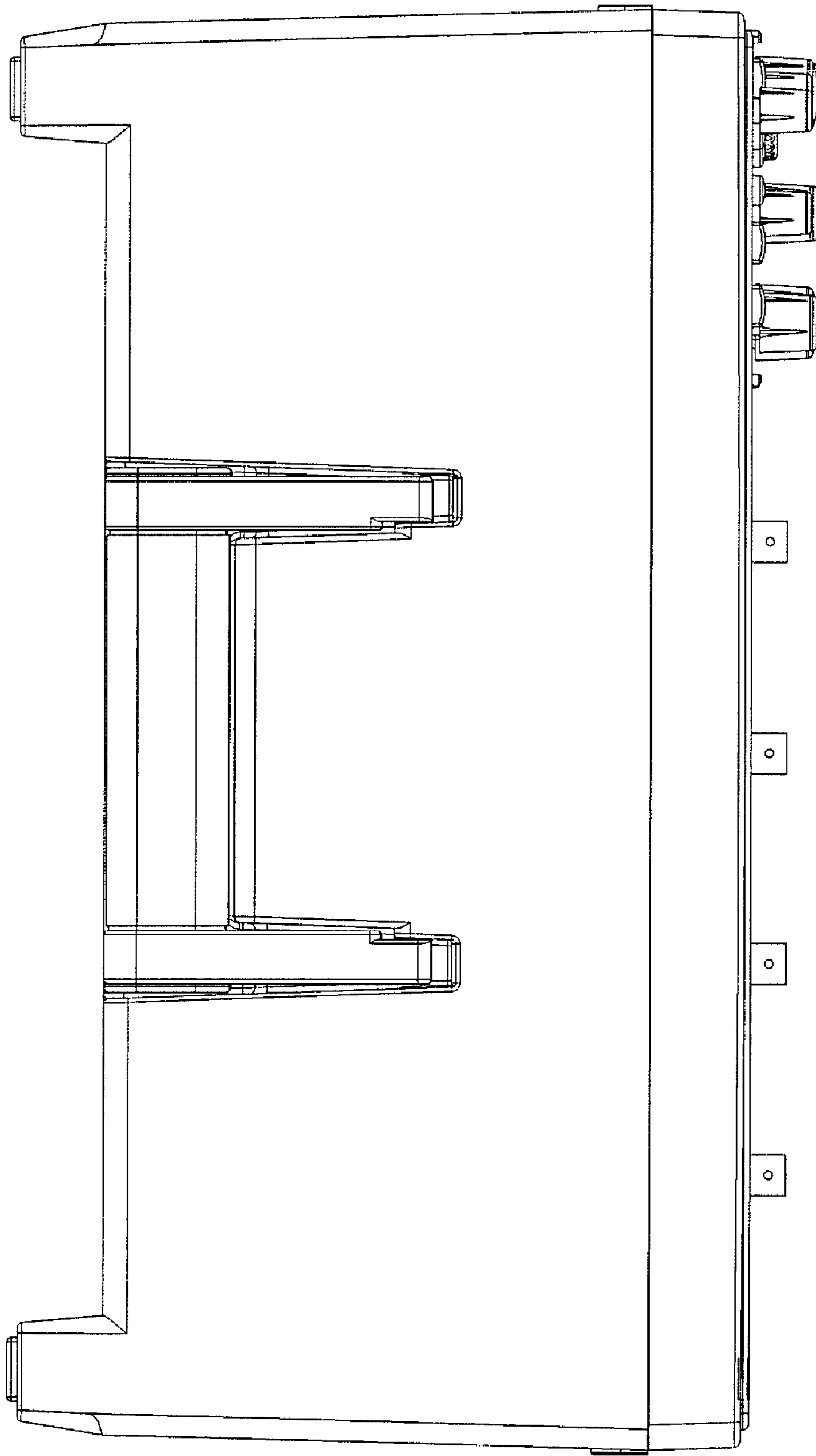


Figure 3

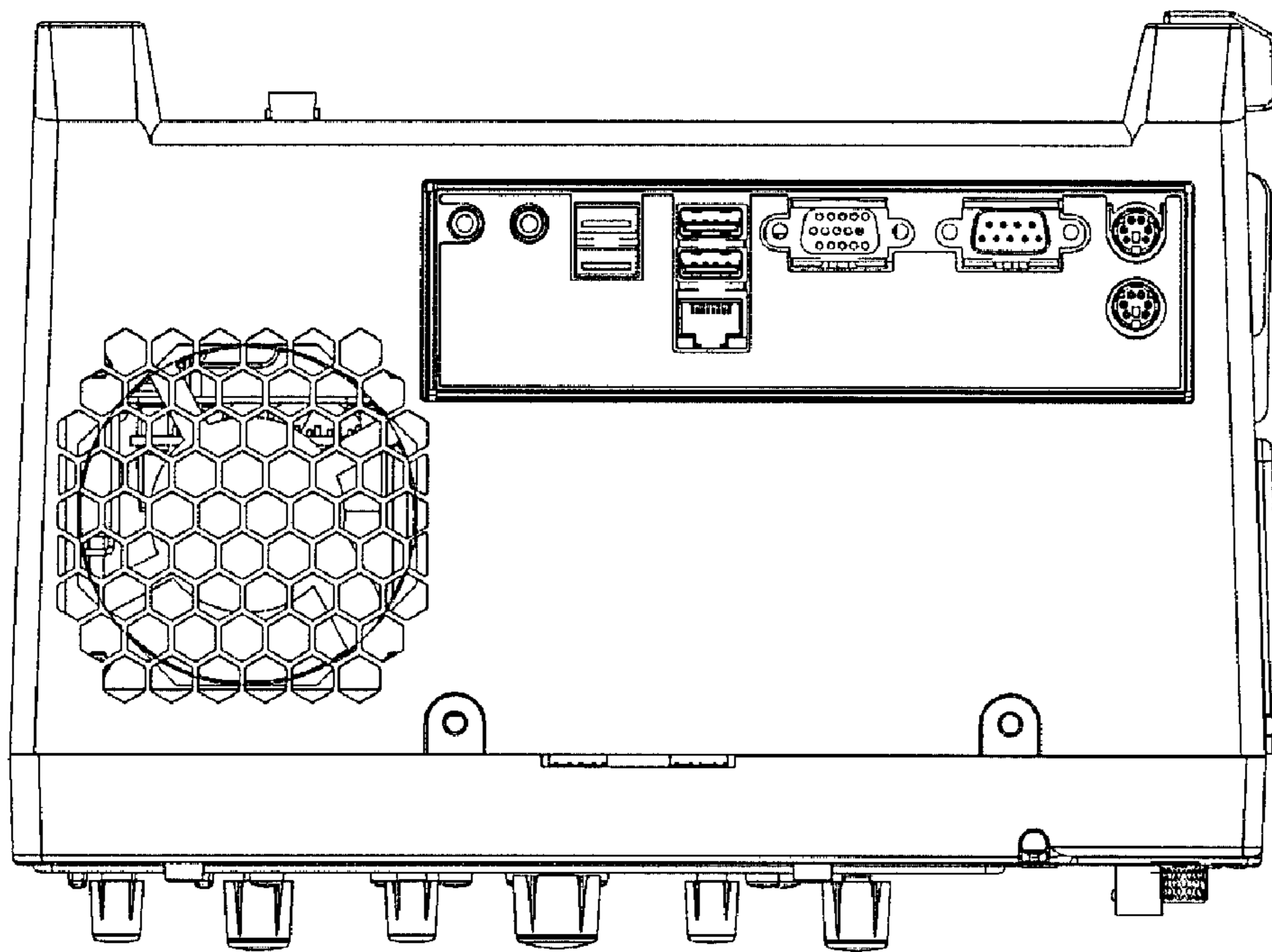


Figure 4

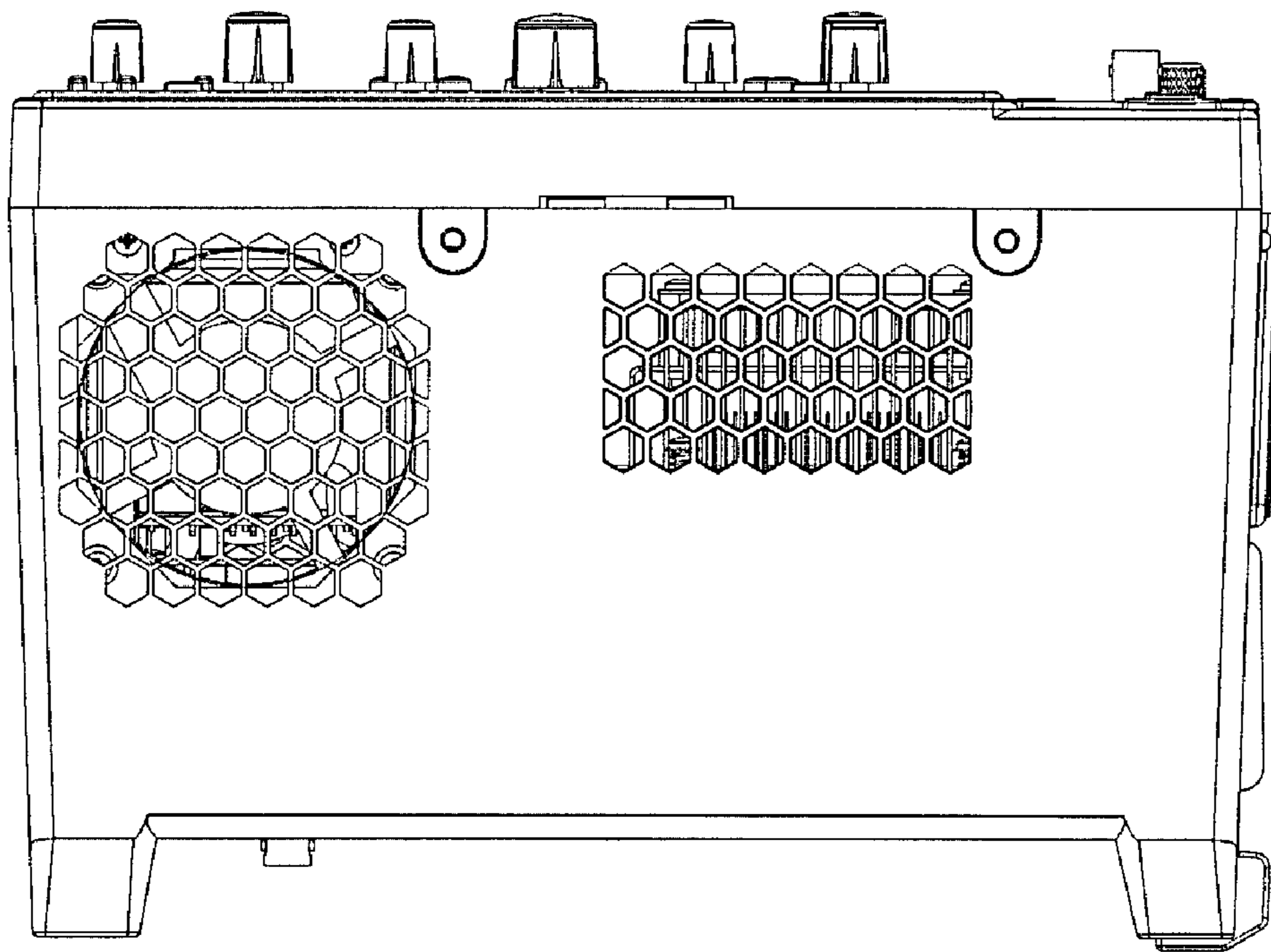


Figure 5

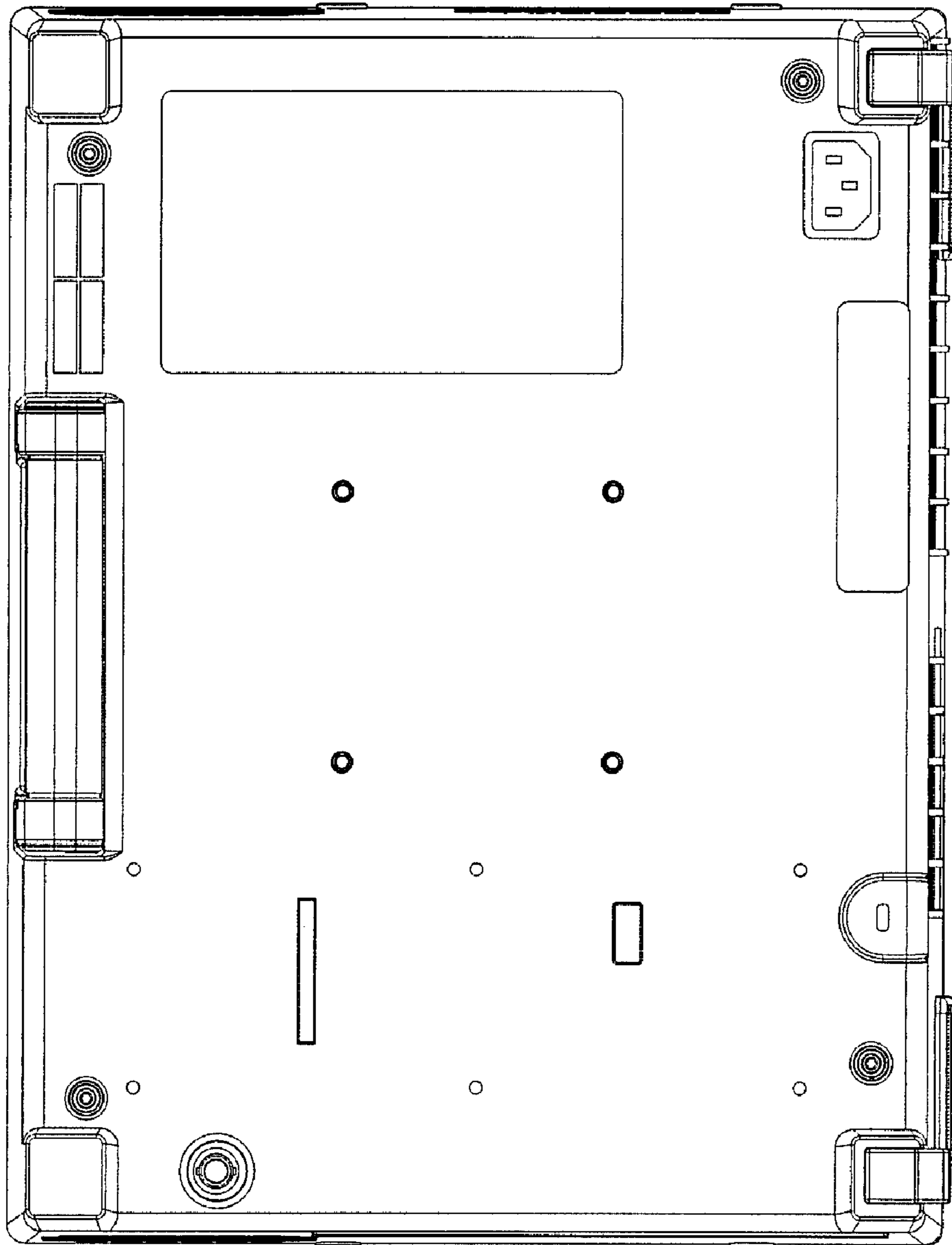


Figure 6

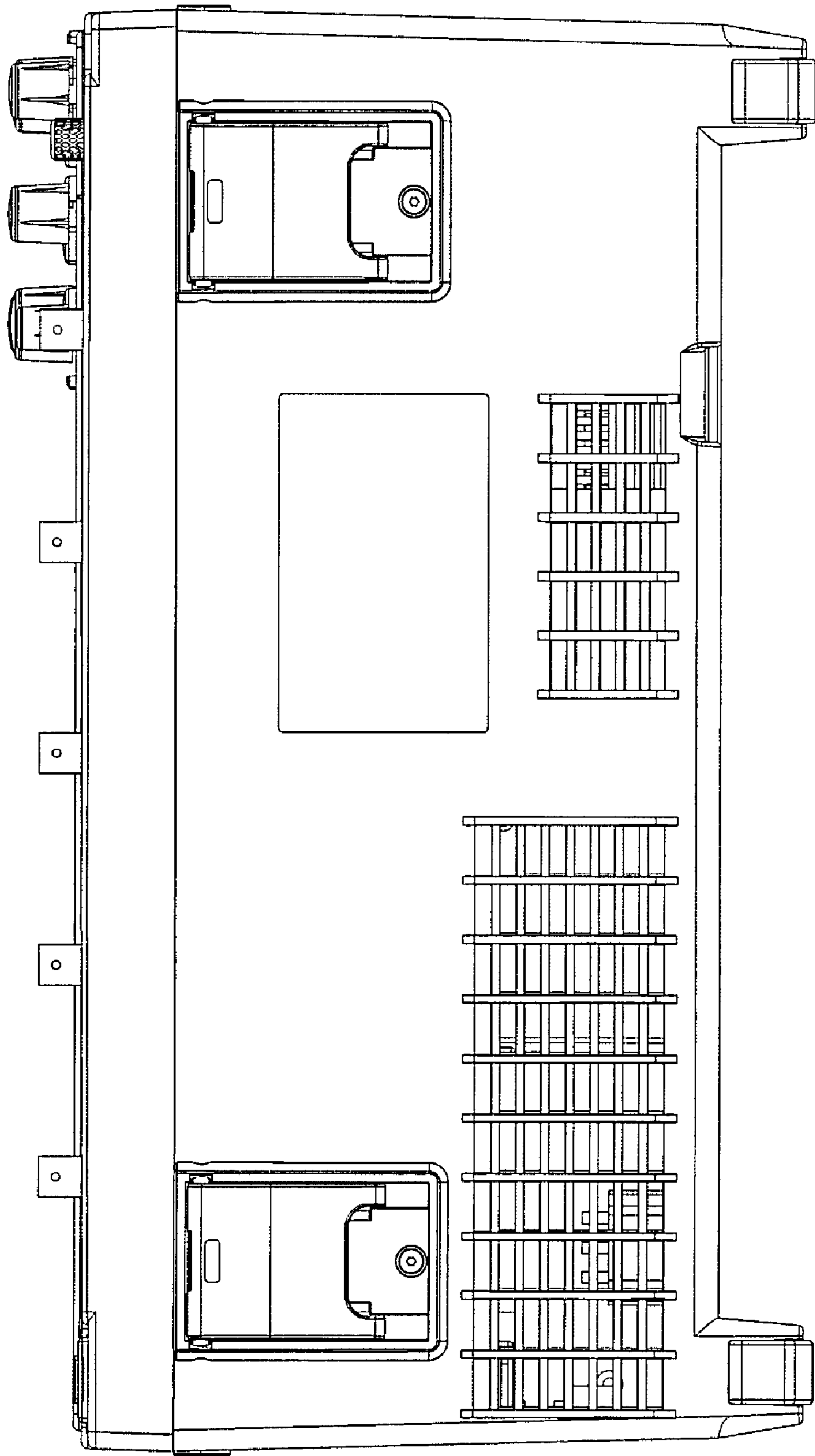


Figure 7