



US00D556065S

(12) **United States Design Patent**
Jones et al.

(10) **Patent No.:** **US D556,065 S**

(45) **Date of Patent:** **** Nov. 27, 2007**

(54) **TAPE MEASURE TIP**

(75) Inventors: **Steven K. Jones**, Ottawa (CA); **Denis Chénard**, Ottawa (CA)

(73) Assignee: **Lee Valley Tools, Ltd.**, Ottawa (CA)

(**) Term: **14 Years**

(21) Appl. No.: **29/250,972**

(22) Filed: **Dec. 7, 2006**

(51) **LOC (8) Cl.** **10-04**

(52) **U.S. Cl.** **D10/74**

(58) **Field of Classification Search** D10/74;
33/755-770, DIG. 1; 242/292, 381.1, 381.2,
242/381.3, 381.4, 381.5, 381.6

See application file for complete search history.

(56) **References Cited**

U.S. PATENT DOCUMENTS

5,421,100	A *	6/1995	Leore	33/770
6,295,739	B1 *	10/2001	Kraft	33/770
6,694,622	B2 *	2/2004	Kim	33/770
6,763,603	B2 *	7/2004	Carrabino	33/770
6,804,898	B1 *	10/2004	Hsu	33/770
7,191,530	B1 *	3/2007	Thibodeaux	33/770

* cited by examiner

Primary Examiner—Antoine D. Davis

(74) *Attorney, Agent, or Firm*—Kilpatrick Stockton LLP;
John S. Pratt; Camilla C. Williams

(57) **CLAIM**

The ornamental design for a tape measure tip, as shown and described.

DESCRIPTION

FIG. 1 is a perspective view showing one end and one side of the tape measure tip.

FIG. 2 is a top plan view of the tape measure tip shown in FIG. 1.

FIG. 3 is a bottom plan view of the tape measure tip shown in FIG. 1.

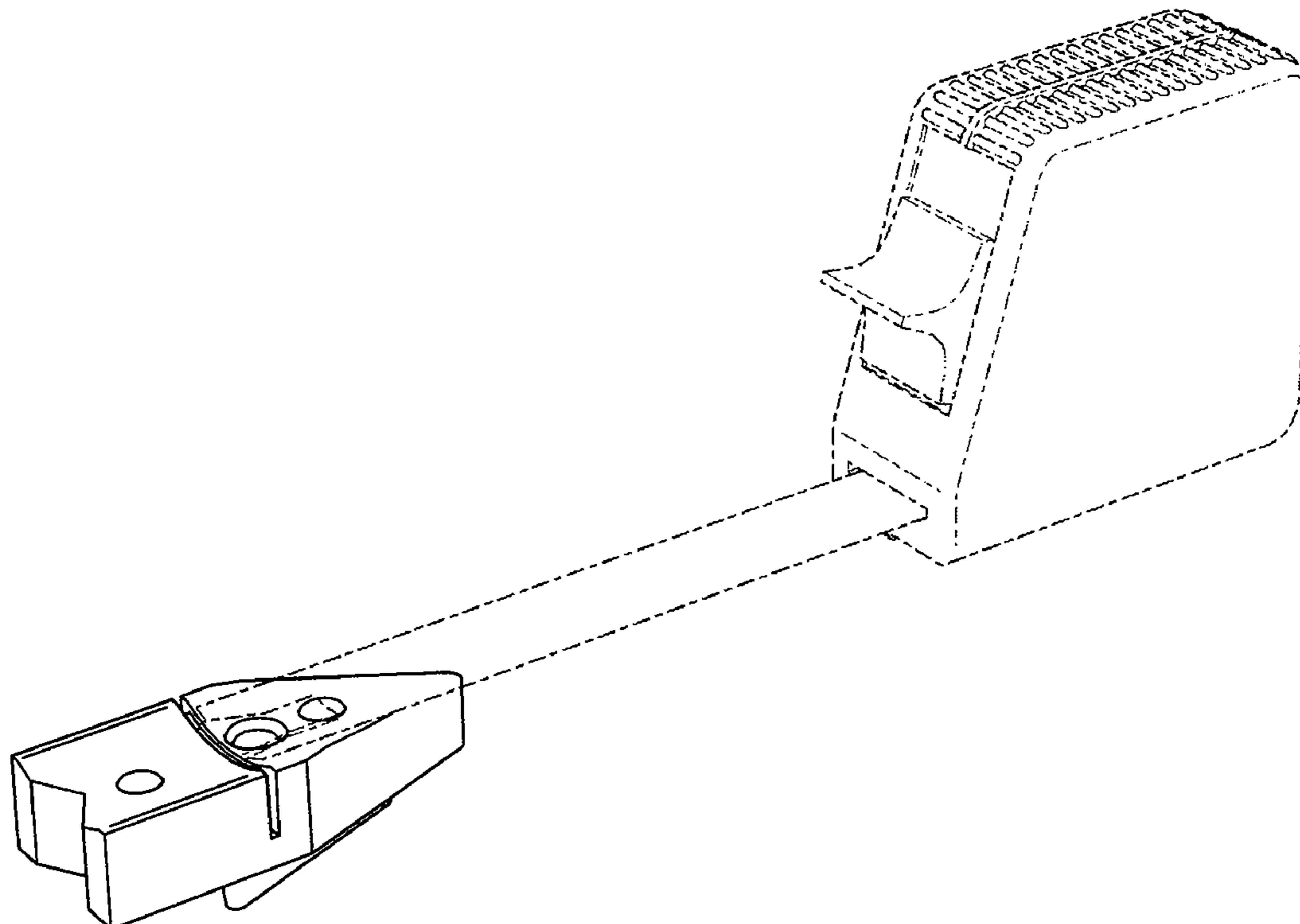
FIG. 4 is a side elevational view of the tape measure tip shown in FIG. 1, the opposite side of which is identical.

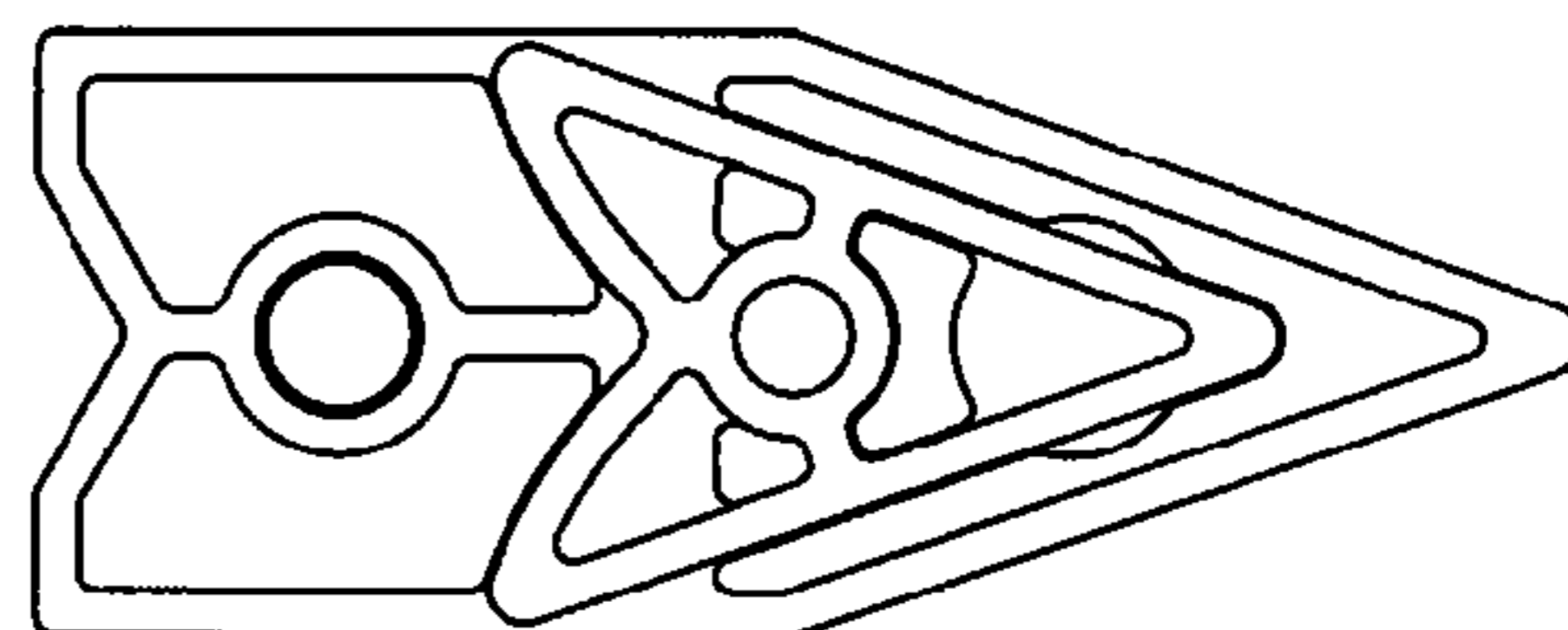
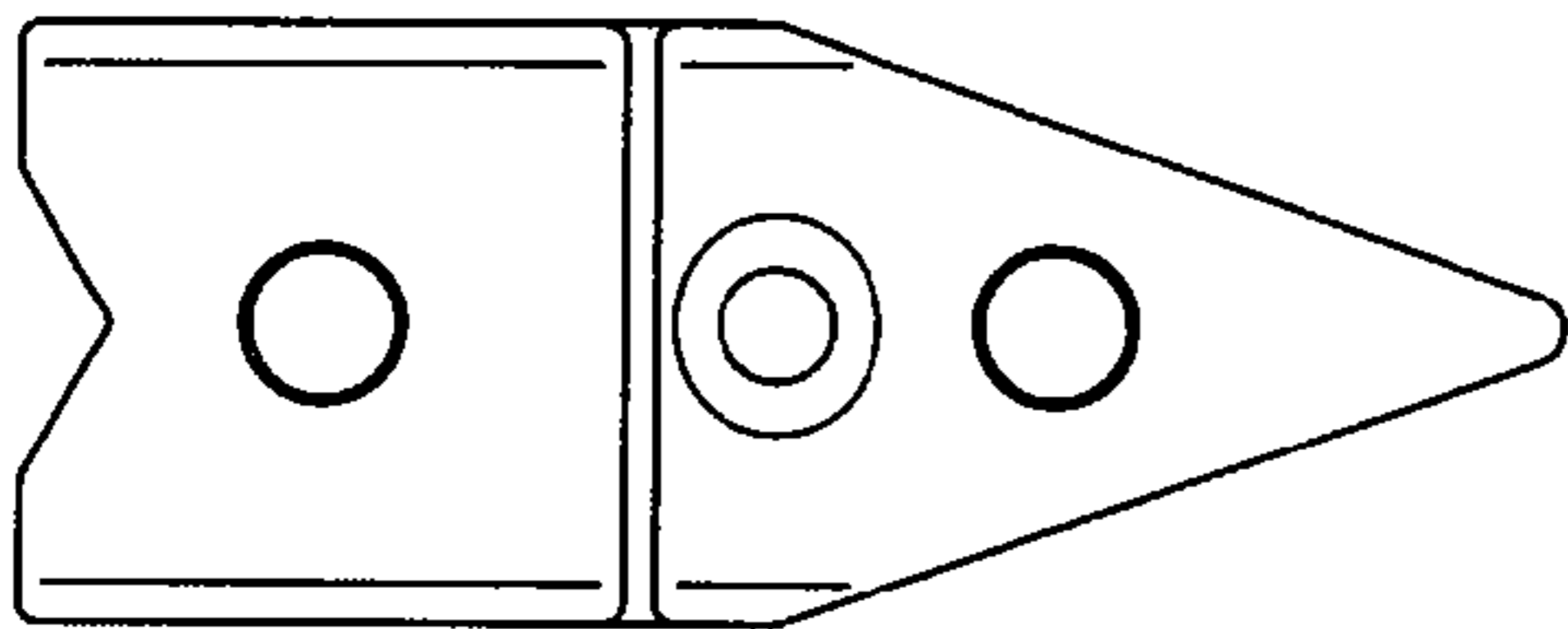
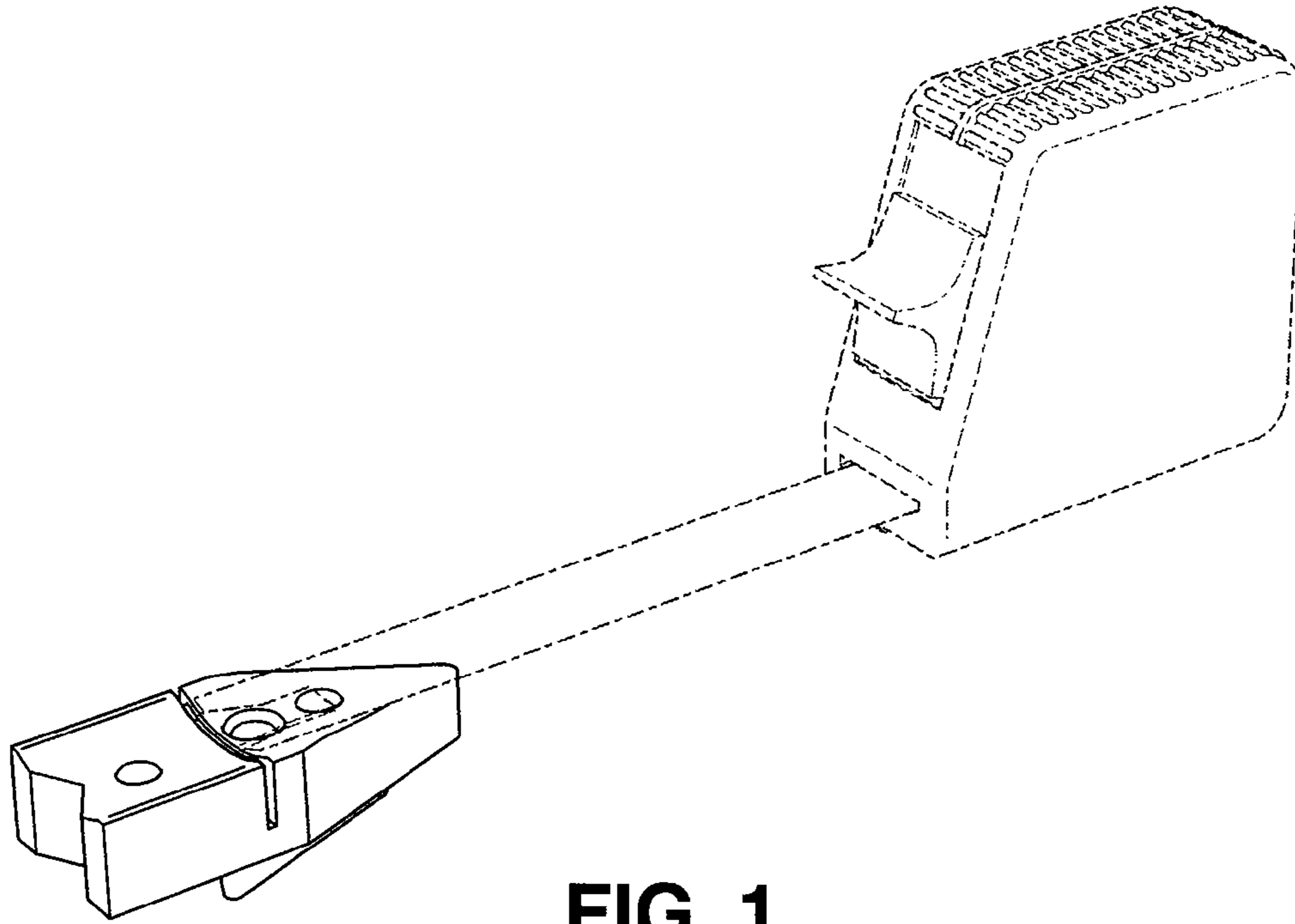
FIG. 5 is an elevational view of one end of the tape measure tip shown in FIG. 1; and,

FIG. 6 is an elevational view of the opposite end of the tape measure tip shown in FIG. 5.

The broken lines in FIG. 1, of the drawings of the tape measure tip are for illustrative purposes and form no part of the claimed design.

1 Claim, 2 Drawing Sheets





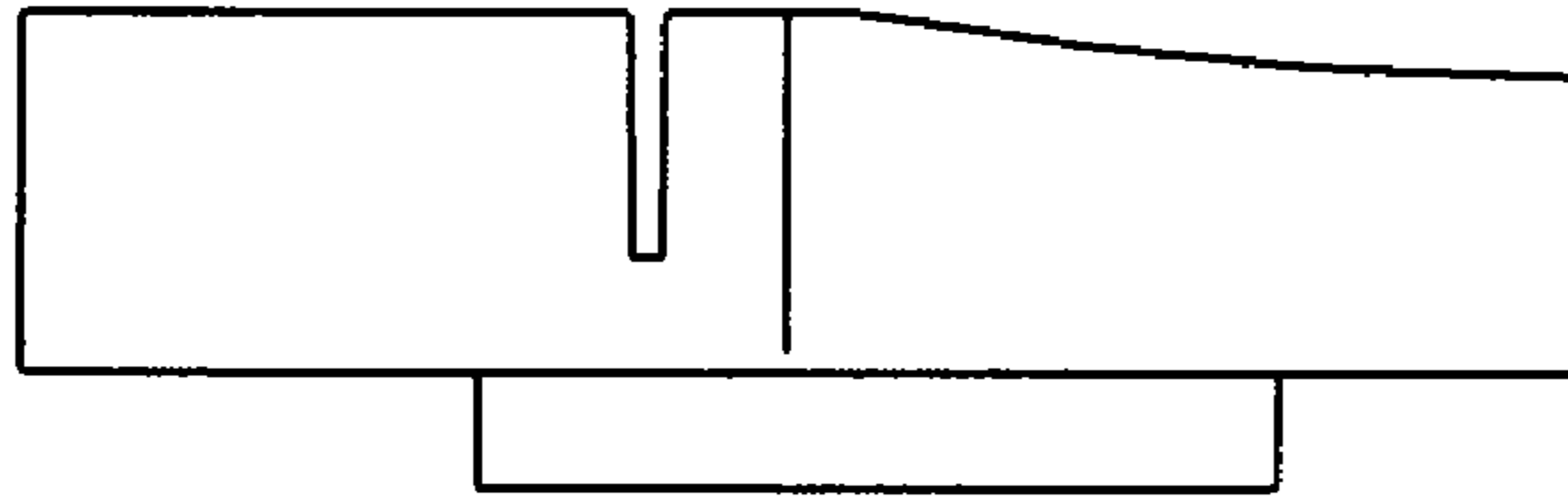


FIG. 4

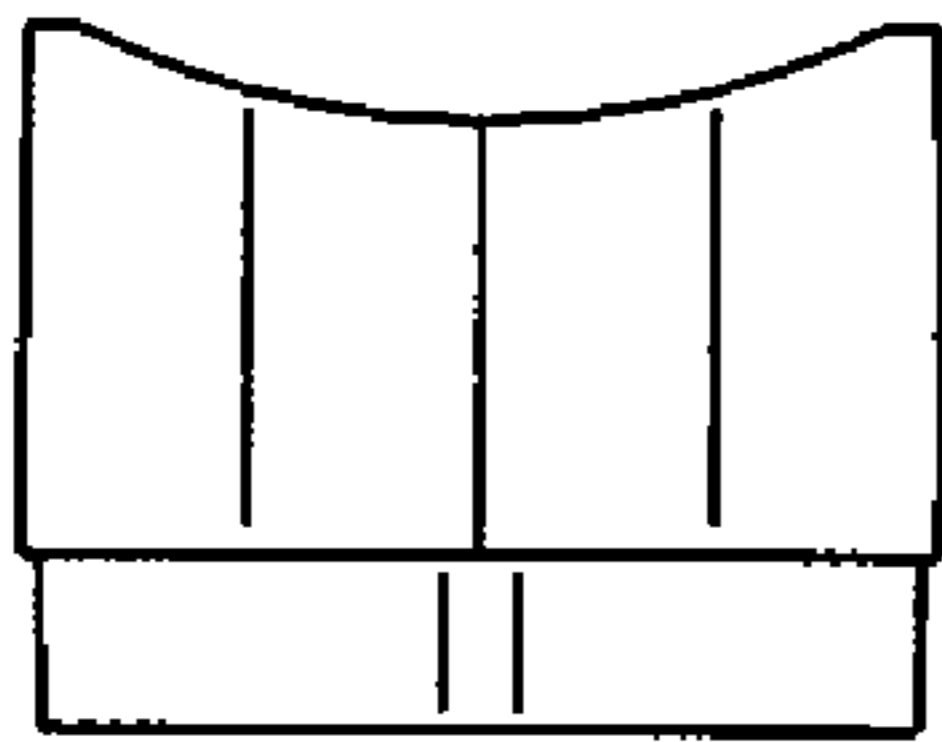


FIG. 5

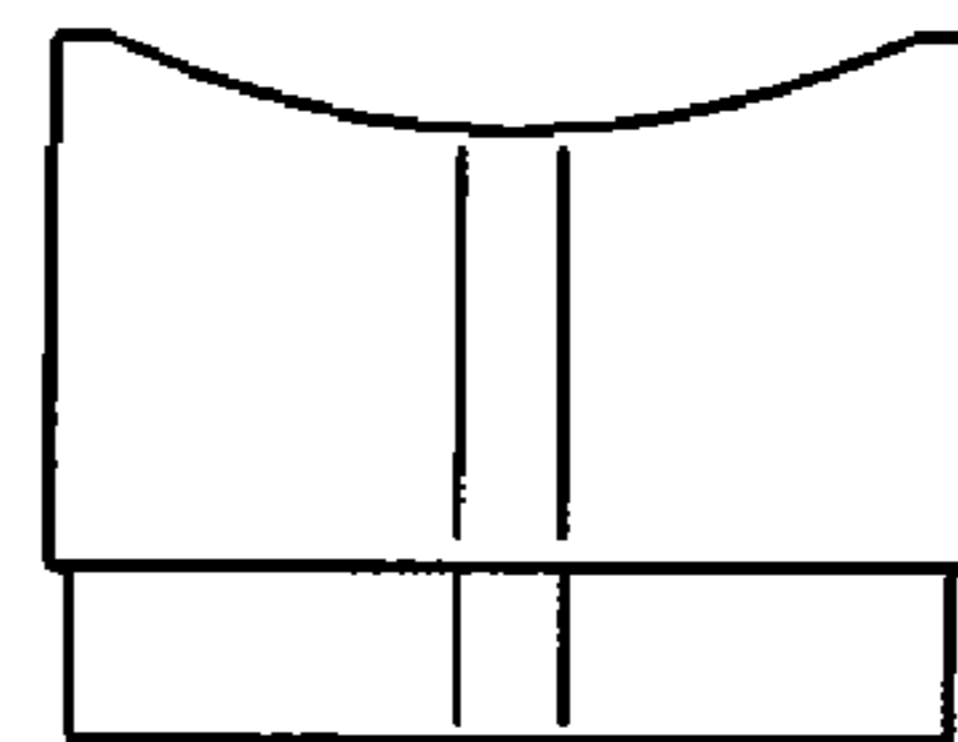


FIG. 6