



US00D556053S

(12) **United States Design Patent**
Keberlein et al.

(10) **Patent No.:** **US D556,053 S**

(45) **Date of Patent:** **** Nov. 27, 2007**

(54) **TISSUE CONTAINER HAVING AN INTERIOR REFLECTIVE SURFACE**

(75) Inventors: **Gerald J. Keberlein**, Hortonville, WI (US); **Randall L. Stadtmueller**, Fremount, WI (US)

(73) Assignee: **Trinova Design, LLC**, Appleton, WI (US)

(**) Term: **14 Years**

(21) Appl. No.: **29/251,538**

(22) Filed: **Jan. 9, 2006**

(51) **LOC (8) Cl.** **09-03**

(52) **U.S. Cl.** **D9/734**

(58) **Field of Classification Search** D9/516,
D9/518, 529, 541, 542, 559, 574, 730, 734,
D9/414, 416-418, 420, 432, 433; D6/512,
D6/515, 518, 522, 523; 221/33, 45, 63, 64;
206/233, 494, 872; 220/200, 259.1

See application file for complete search history.

(56) **References Cited**

U.S. PATENT DOCUMENTS

2,802,565	A	8/1957	Kabbash	
3,010,571	A	11/1961	Transport	
D202,920	S	11/1965	Muesing	
3,381,885	A	5/1968	Seiferth et al.	
D235,314	S	6/1975	Cramphorn	
3,929,222	A	12/1975	Smith et al.	
D265,889	S	* 8/1982	Lawrence et al. D9/418
4,838,424	A	6/1989	Petzelt	
D303,500	S	9/1989	Colla	
4,887,709	A	12/1989	Shimamine	
D309,434	S	7/1990	Goldman	
D333,262	S	* 2/1993	Zogg D9/734
5,620,243	A	4/1997	Billingham	

D383,976	S	9/1997	Allinsmith et al.	
D383,977	S	9/1997	Allinsmith et al.	
D402,554	S	* 12/1998	Batchelor D9/433
5,996,797	A	* 12/1999	Flaig 206/494
D421,568	S	* 3/2000	Ferguson et al. D9/414
D445,332	S	* 7/2001	Breiding et al. D9/416
D455,347	S	4/2002	Robinson	
D482,615	S	11/2003	Morin	
D484,047	S	12/2003	Hirschey	
D489,255	S	* 5/2004	Kratzert et al. D9/433
D490,943	S	6/2004	Logan	
D509,728	S	9/2005	Kato	
D531,498	S	* 11/2006	Fluegel et al. D9/432

* cited by examiner

Primary Examiner—Stella M. Reid

Assistant Examiner—Shanda C. Hill

(74) *Attorney, Agent, or Firm*—Whyte Hirschboeck Dudek SC

(57) **CLAIM**

The ornamental design for a tissue container having an interior reflective surface, as shown and described.

DESCRIPTION

FIG. 1 is a perspective view of a tissue container having an interior reflective surface showing our new design;

FIG. 2 is a front view thereof;

FIG. 3 is a rear view thereof;

FIG. 4 is a left side view thereof with the right side being a mirror image thereof;

FIG. 5 is a top view thereof;

FIG. 6 is a bottom view thereof; and,

FIG. 7 is a perspective view thereof with the container shown in an open position.

The broken lines shown in the figures are for illustrative environmental purposes only and form no part of the claimed design.

1 Claim, 4 Drawing Sheets

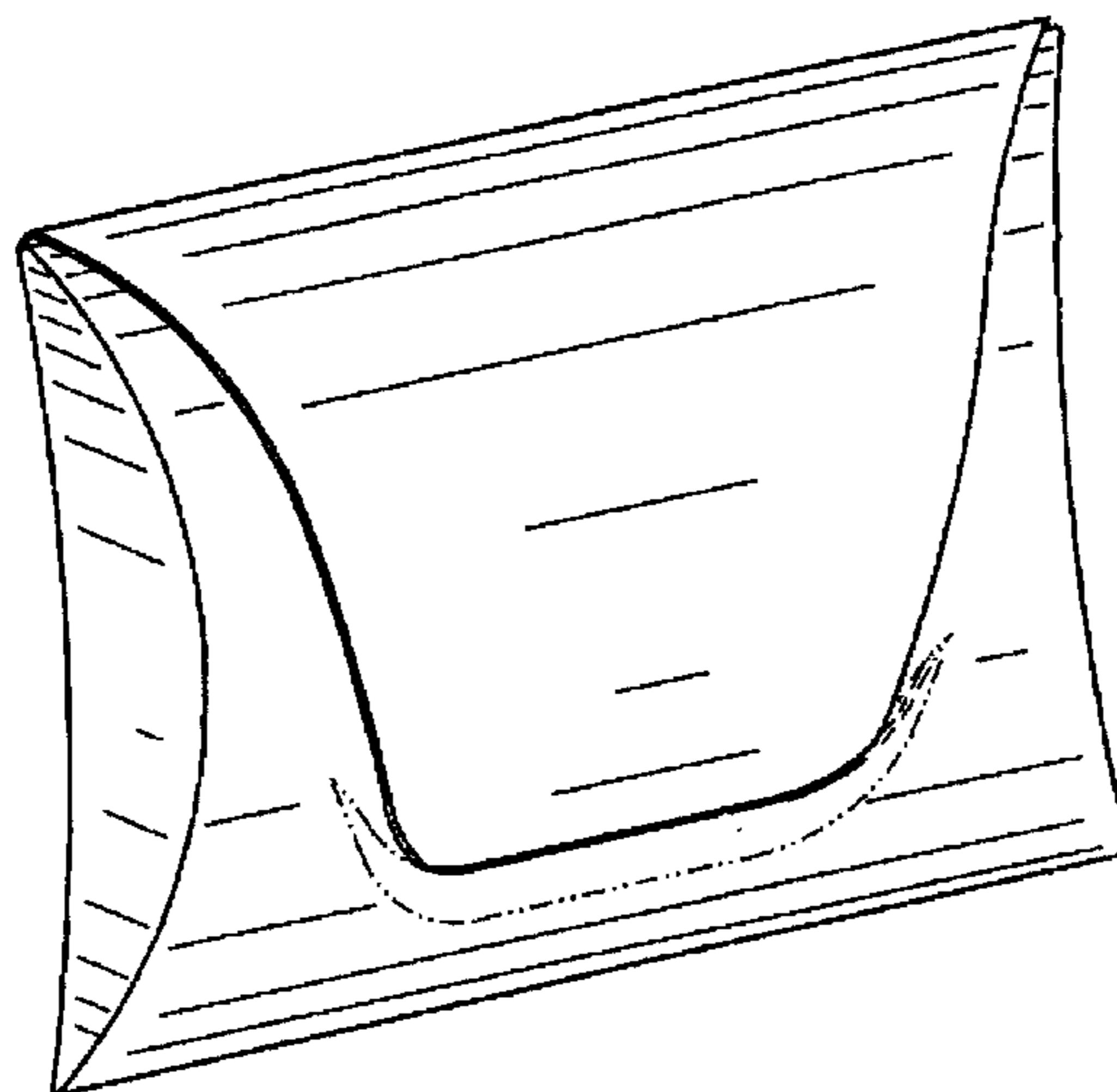


FIG. 1

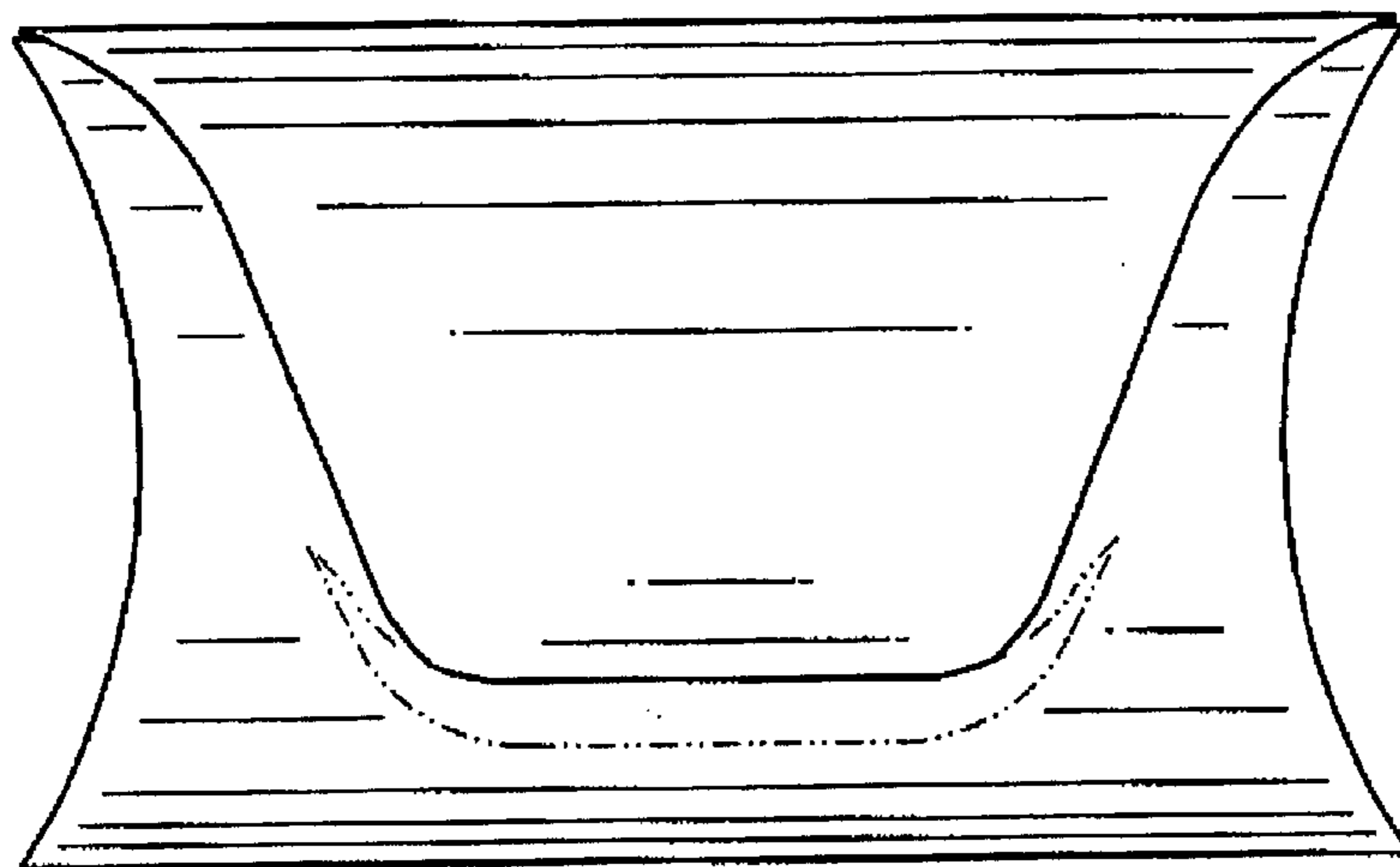
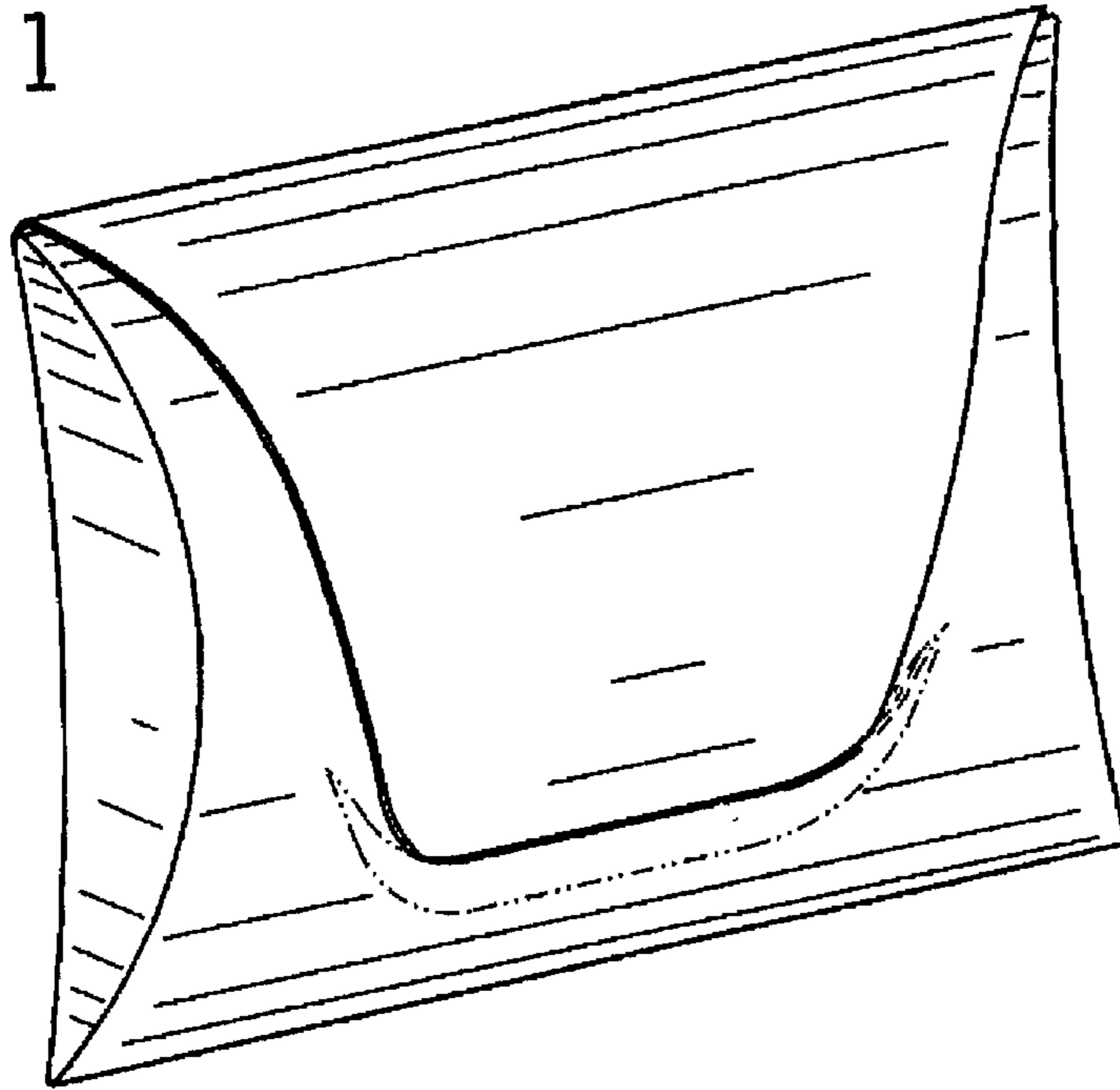


FIG. 2

FIG. 3

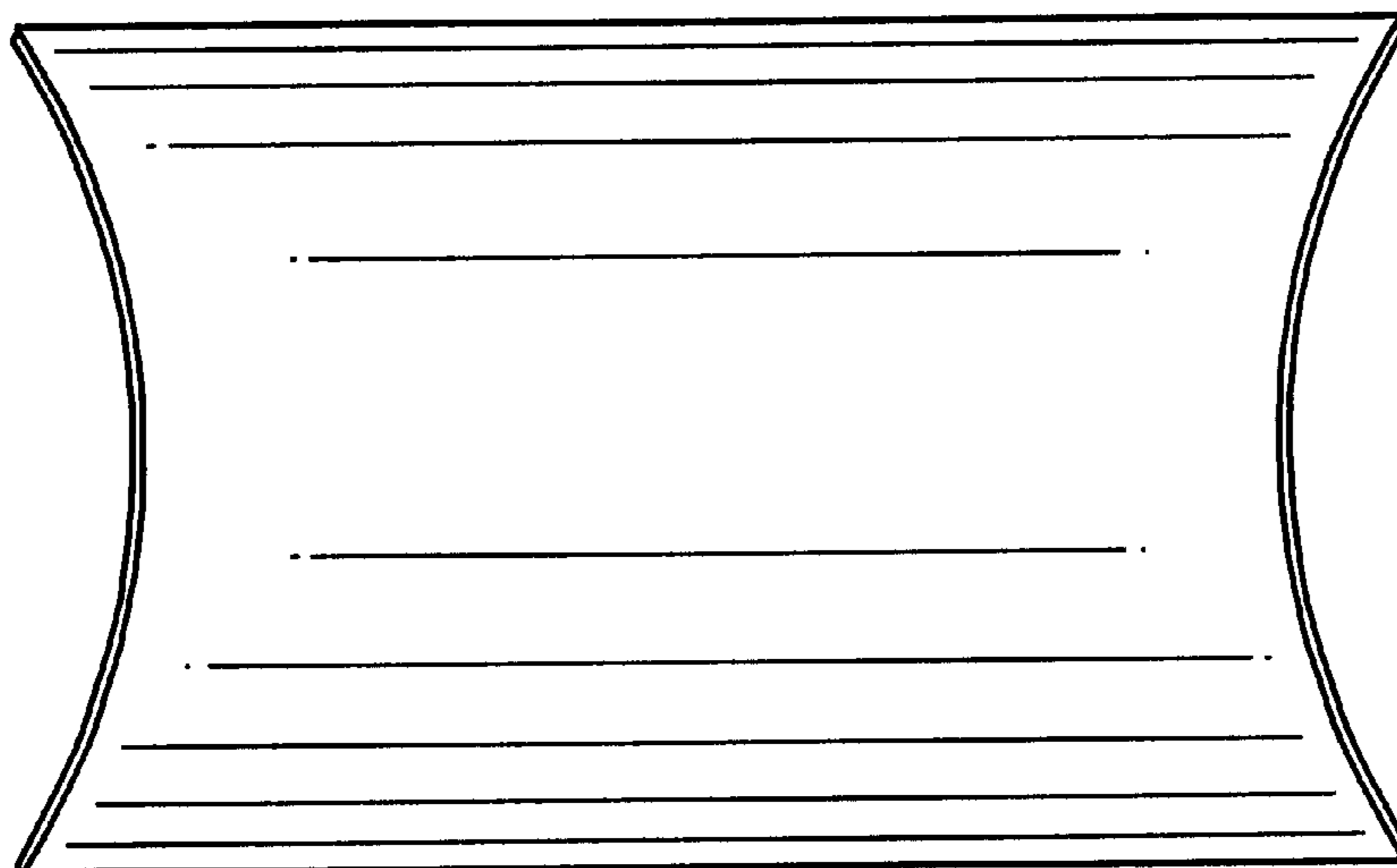


FIG. 4

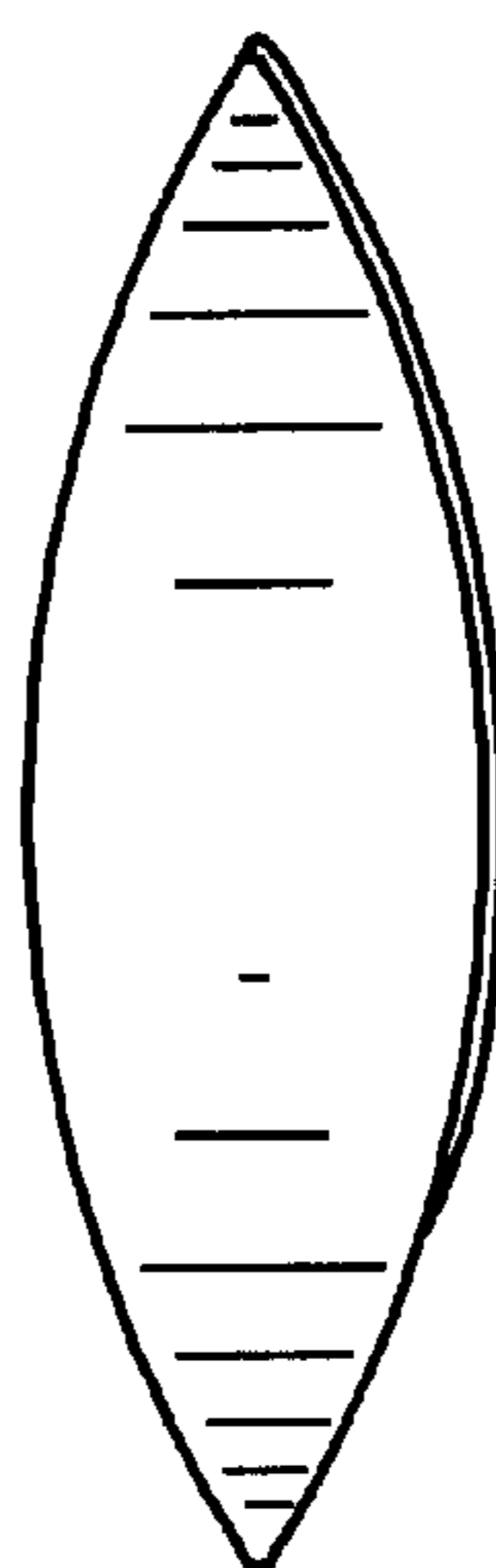


FIG. 5

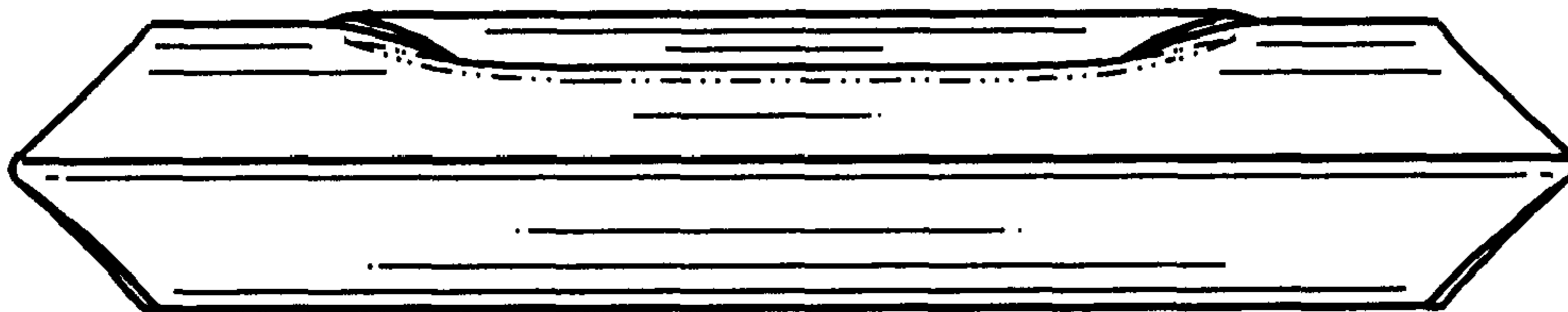
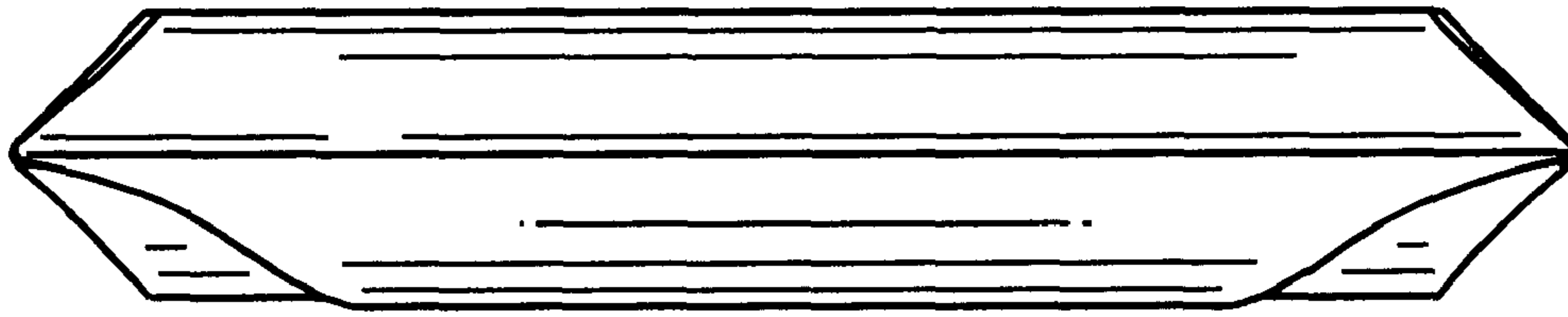


FIG. 6

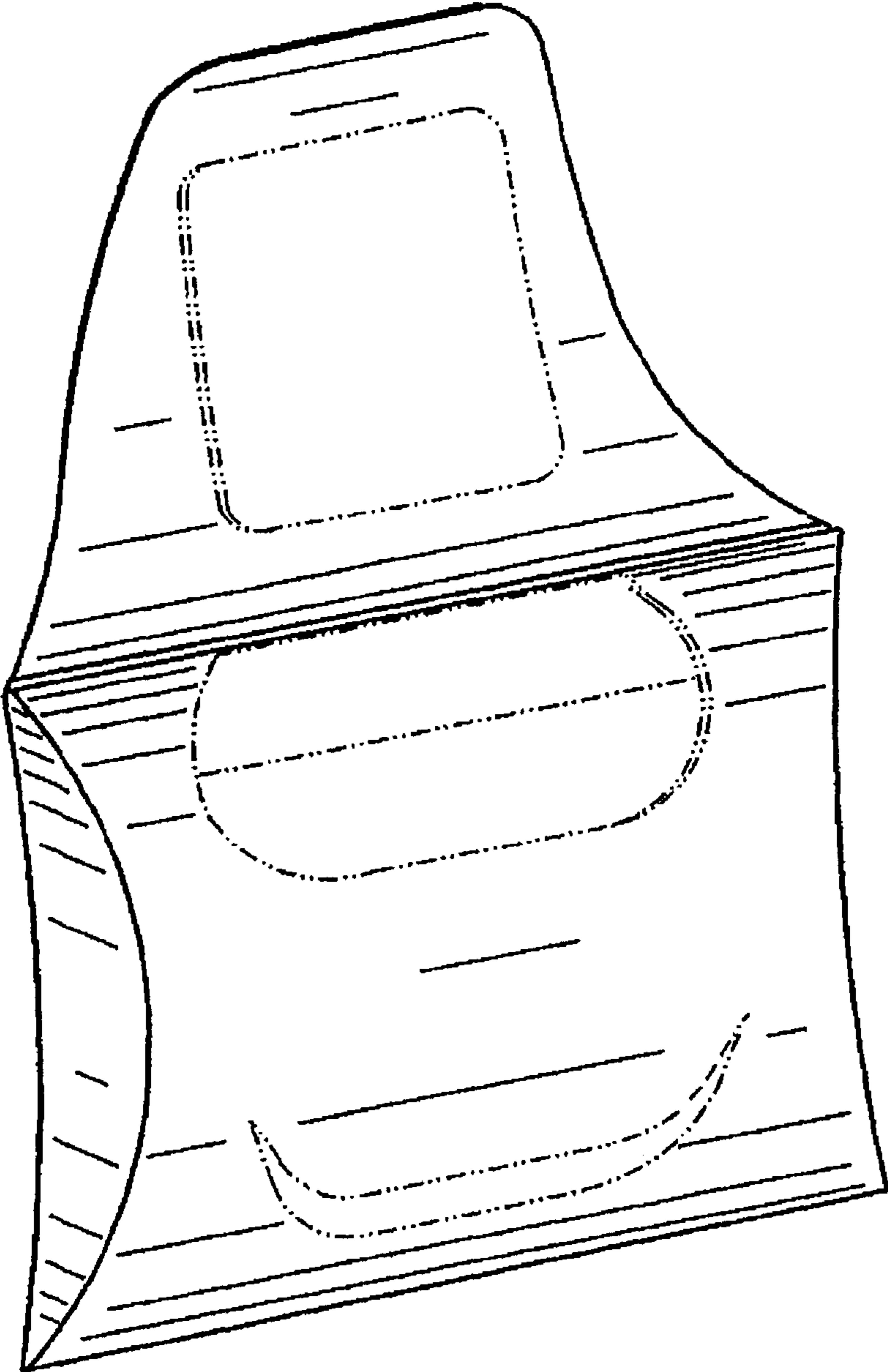


FIG. 7