



US00D556037S

(12) **United States Design Patent**
D'Amato

(10) **Patent No.:** **US D556,037 S**

(45) **Date of Patent:** **** Nov. 27, 2007**

(54) **LIDS FOR CUPS**

(57) **CLAIM**

(75) Inventor: **Gianfranco D'Amato**, Arzano Napoli (IT)

The ornamental design for a lid for cups, as shown and described.

(73) Assignee: **Seda S.p.A.**, Arzano Napoli (IT)

DESCRIPTION

(**) Term: **14 Years**

FIG. 1 is a side and top perspective view of a lid for cups, showing my new design;

(21) Appl. No.: **29/259,882**

FIG. 2 is a side elevational view thereof, the other side elevational views of the device rotated 90° about a horizontal axis lying in the plane of the drawing being identical thereto;

(22) Filed: **May 18, 2006**

FIG. 3 is an elevational view thereof from the bottom of FIG. 2;

(30) **Foreign Application Priority Data**

Nov. 18, 2005 (EM) 000433784

FIG. 4 is an elevational view thereof from the top of FIG. 2;

(51) **LOC (8) Cl.** **09-07**

(52) **U.S. Cl.** **D9/454**

(58) **Field of Classification Search** D9/447,
D9/435, 434, 454; D7/683, 671, 396.2, 392.1;
221/63

FIG. 5 is a side and top perspective view of a second embodiment of a lid for cups, showing my new design;

See application file for complete search history.

FIG. 6 is a side elevational view thereof, the other side elevational views of the device rotated 90° about a horizontal axis lying in the plane of the drawing being identical thereto;

(56) **References Cited**

U.S. PATENT DOCUMENTS

D248,363 S *	7/1978	Rinaldi	D7/354
D276,118 S *	10/1984	Conti et al.	D7/392.1
D282,044 S *	1/1986	McClelland	D7/392
D290,326 S *	6/1987	Daenen et al.	D7/540
D397,938 S *	9/1998	Graham et al.	D9/454
D412,639 S *	8/1999	Demore	D7/391
D452,455 S *	12/2001	Rimes	D11/2
6,427,864 B1 *	8/2002	Asselin	220/709
D516,910 S *	3/2006	Bresler	D9/447
D518,373 S *	4/2006	Schulthess	D9/434
D519,374 S *	4/2006	Hornke	D9/454
D526,158 S *	8/2006	Laib	D7/392.1

FIG. 7 is an elevational view thereof from the bottom of FIG. 6;

FIG. 8 is an elevational view thereof from the top of FIG. 6;

FIG. 9 is a side and top perspective view of a third embodiment of a lid for cups, showing my new design;

FIG. 10 is a side elevational view thereof, the other side elevational views of the device rotated 90° about a horizontal axis lying in the plane of the drawing being identical thereto;

FIG. 11 is an elevational view thereof from the bottom of FIG. 10;

FIG. 12 is an elevational view thereof from the top of FIG. 10;

FIG. 13 is a side and top perspective view of a fourth embodiment of a lid for cups, showing my new design;

FIG. 14 is a side elevational view thereof, the other side elevational views of the device rotated 90° about a horizontal axis lying in the plane of the drawing being identical thereto;

* cited by examiner

Primary Examiner—Gary D. Watson

Assistant Examiner—Susan Bennett Hattan

(74) *Attorney, Agent, or Firm*—Young & Thompson

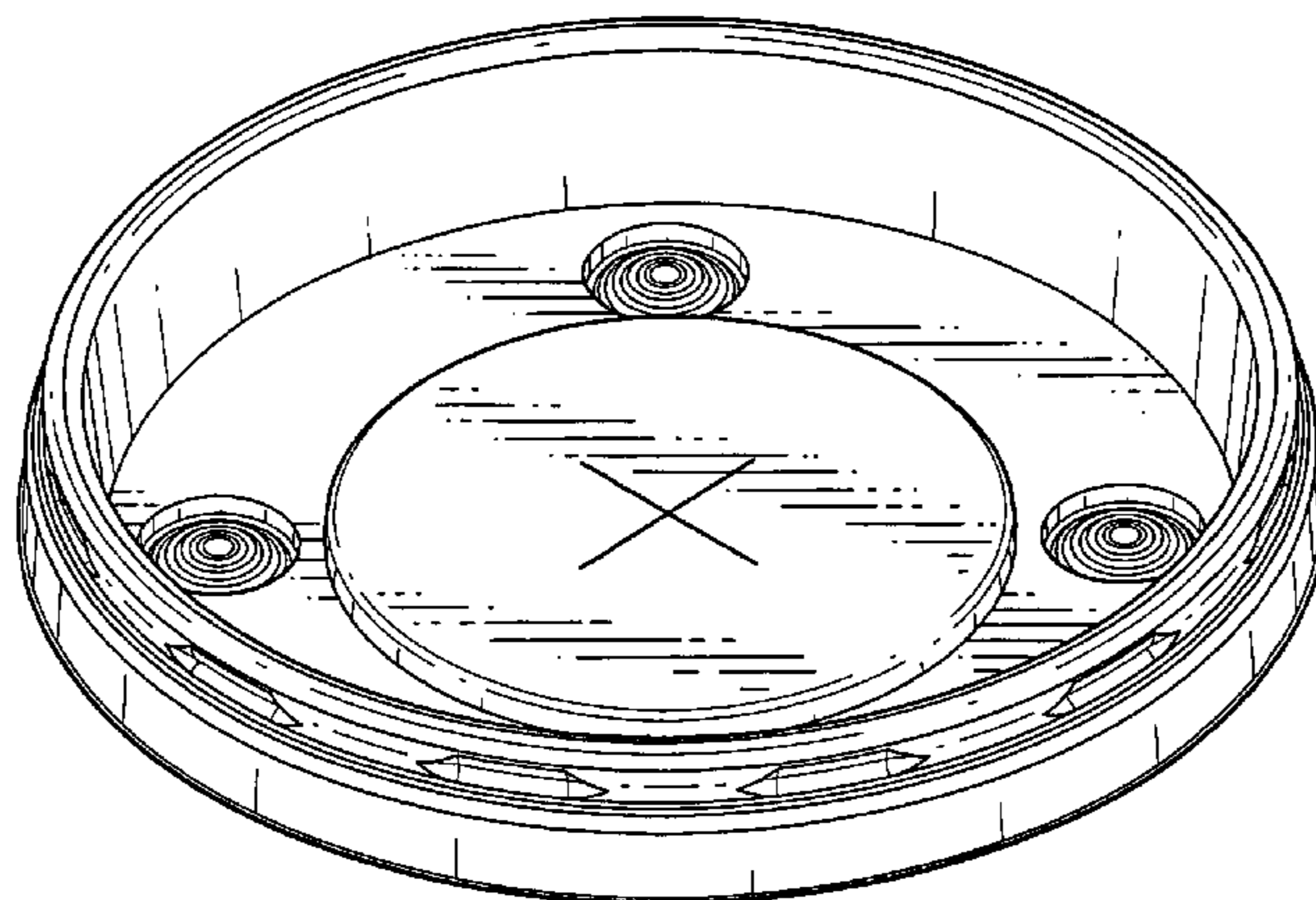


FIG. **15** is an elevational view thereof from the bottom of FIG. **14**;

FIG. **16** is an elevational view thereof from the top of FIG. **14**;

FIG. **17** is a side and top perspective view of a fifth embodiment of a lid for cups, showing my new design;

FIG. **18** is a side elevational view thereof, the other side elevational views of the device rotated 90° about a horizontal axis lying in the plane of the drawing being identical thereto;

FIG. **19** is an elevational view thereof from the bottom of FIG. **18**;

FIG. **20** is an elevational view thereof from the top of FIG. **18**;

FIG. **21** is a side and top perspective view of a sixth embodiment of a lid for cups, showing my new design; and,

FIG. **22** is a side elevational view thereof, the other side elevational views of the device rotated 90° about a horizontal axis lying in the plane of the drawing being identical thereto.

1 Claim, 22 Drawing Sheets

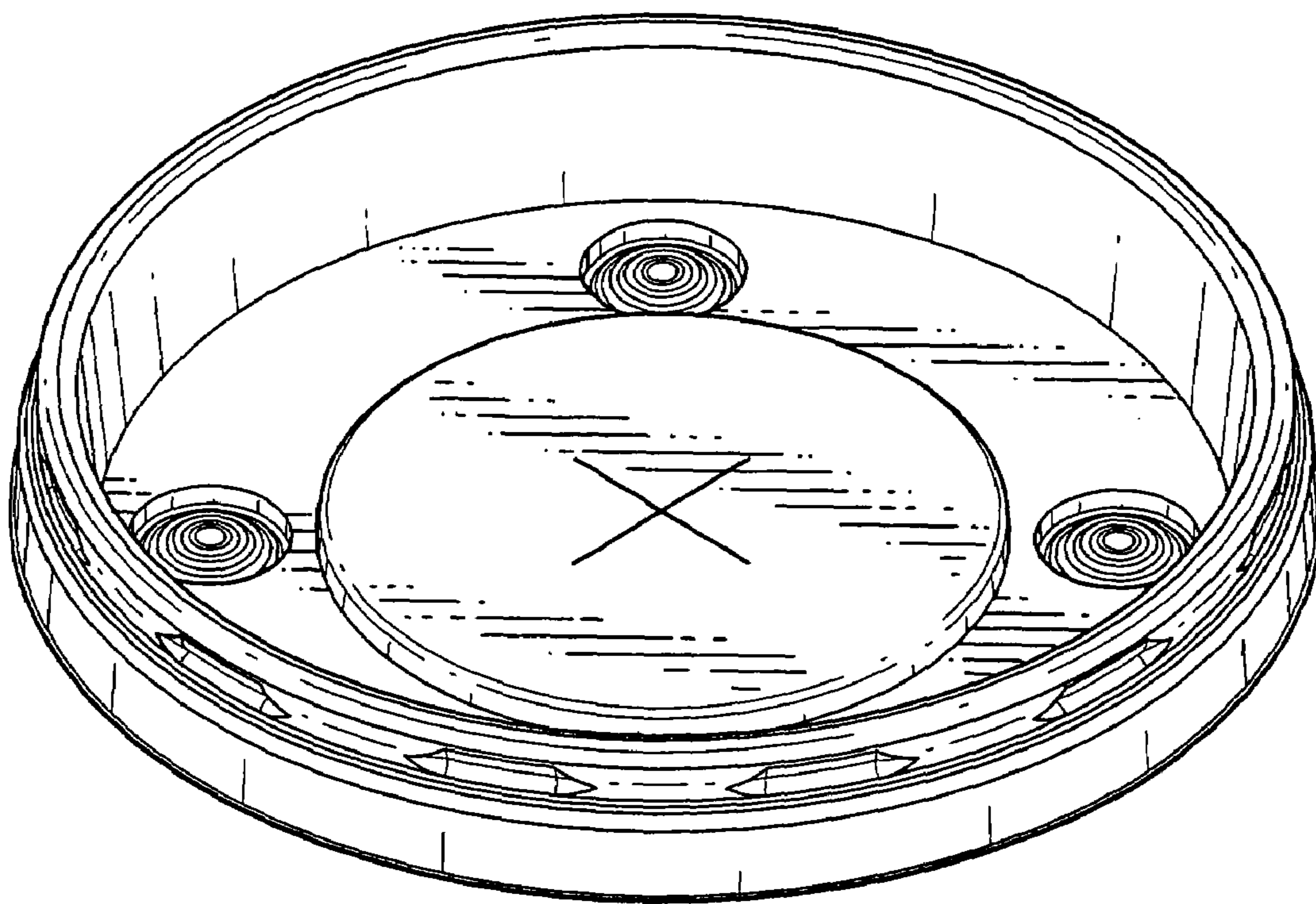


FIG. 1

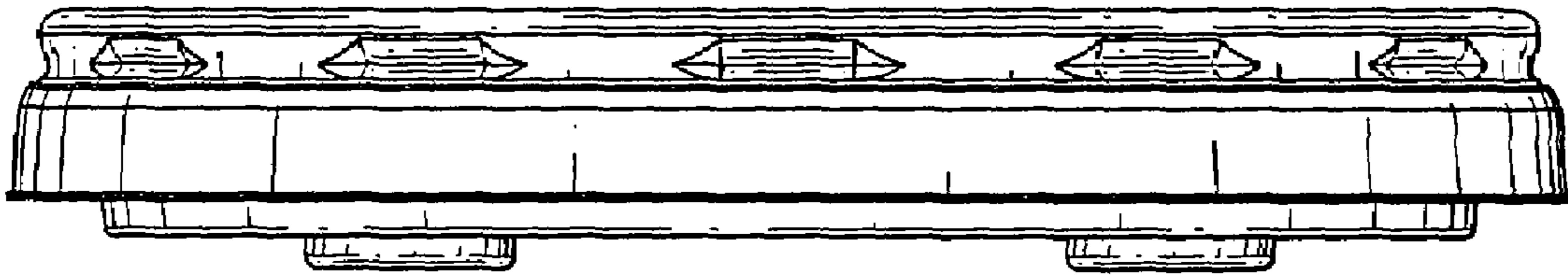


FIG.2

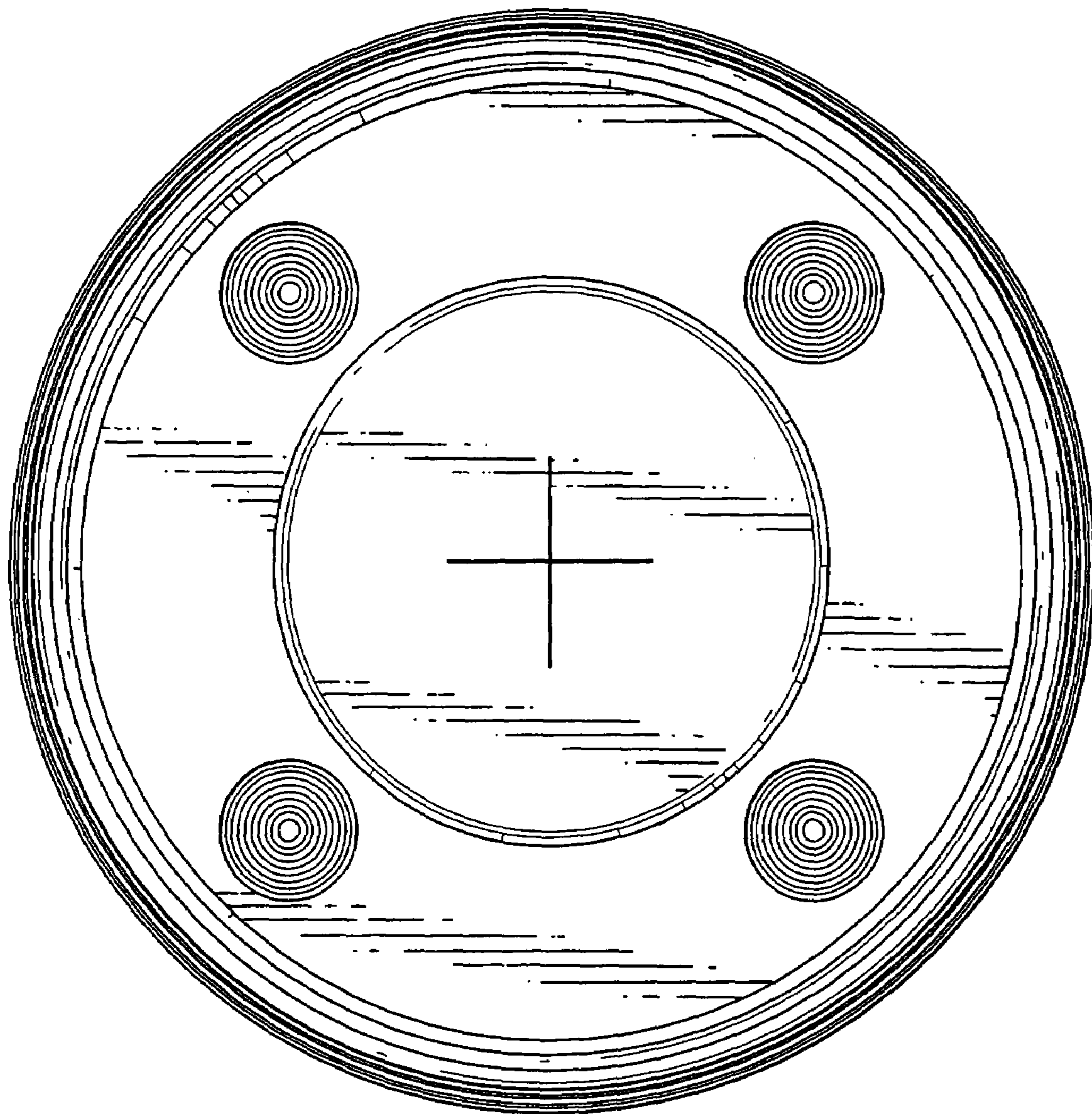


FIG. 3

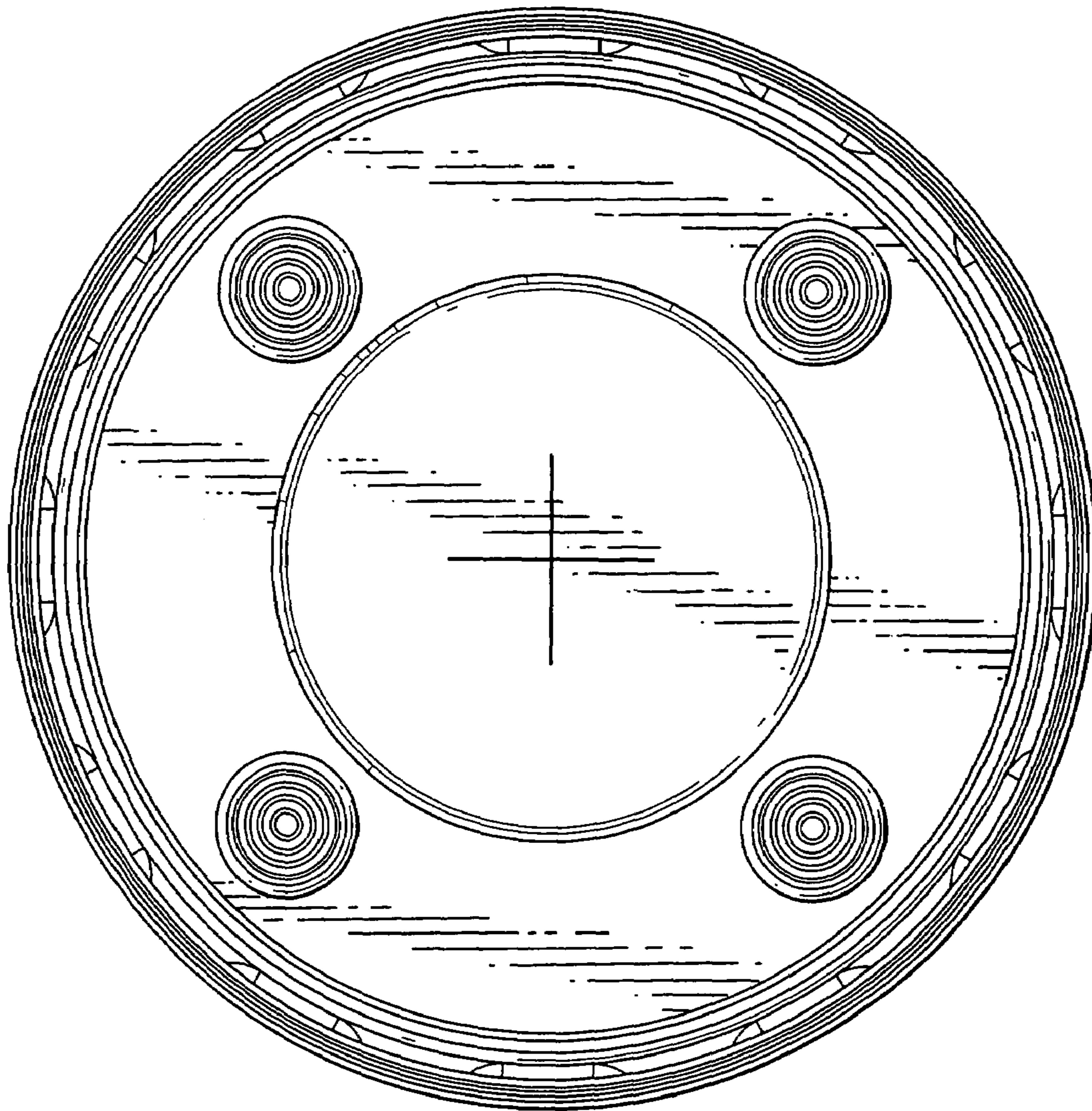


FIG.4

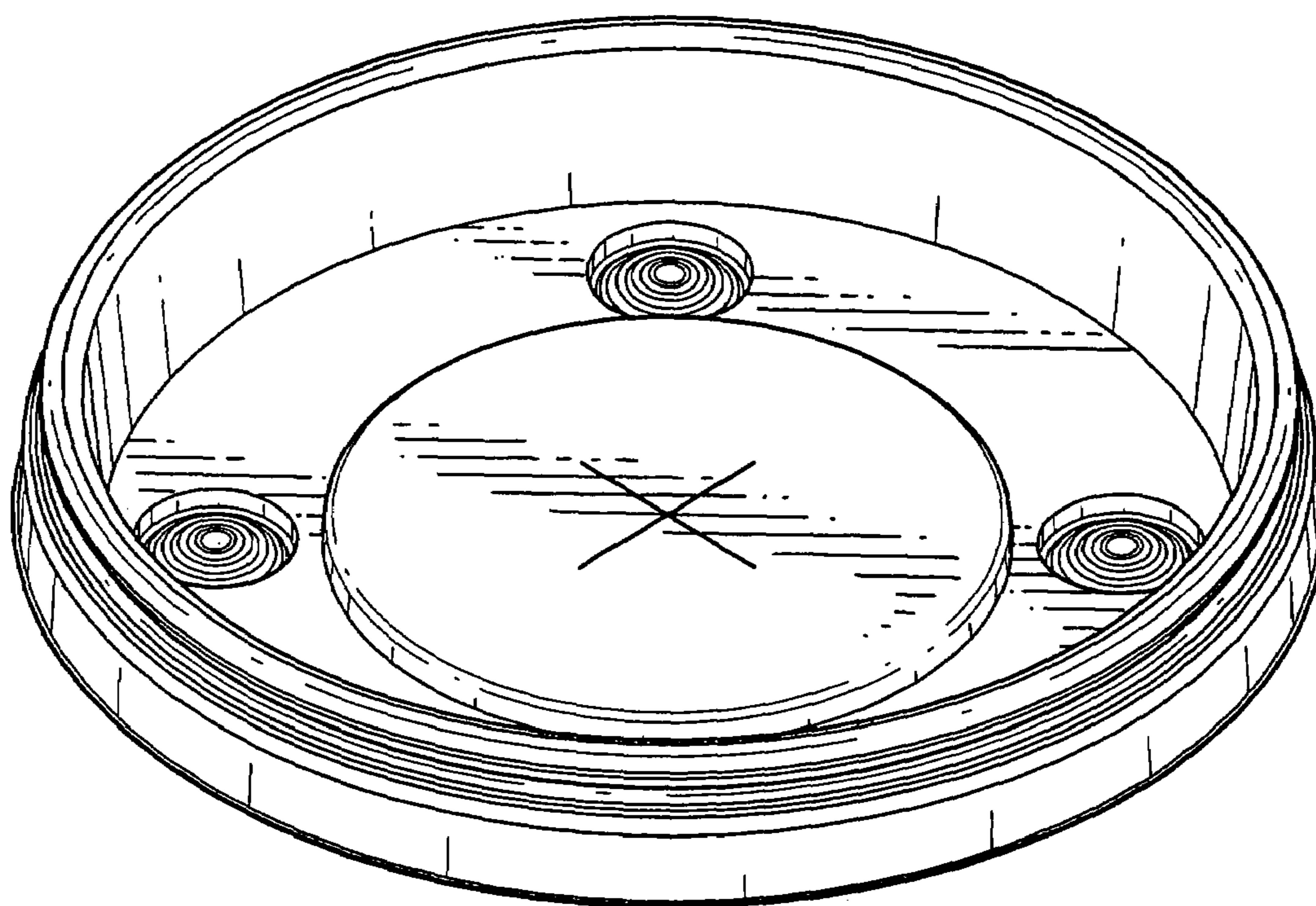


FIG. 5

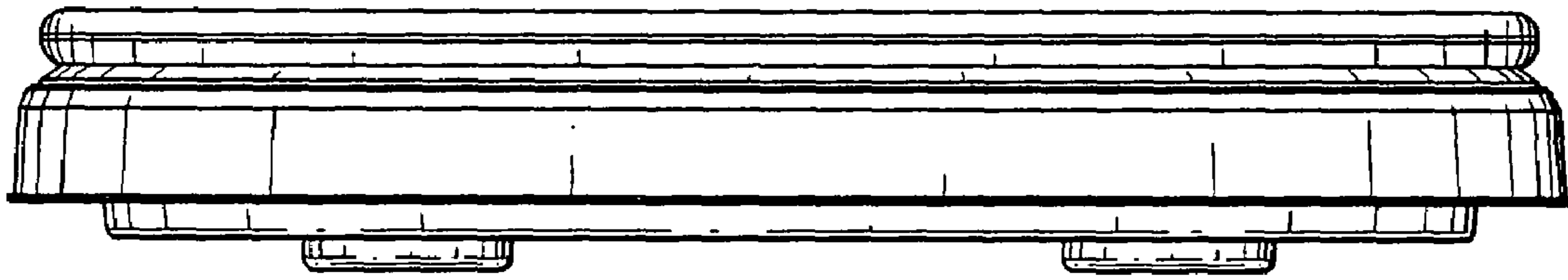


FIG.6

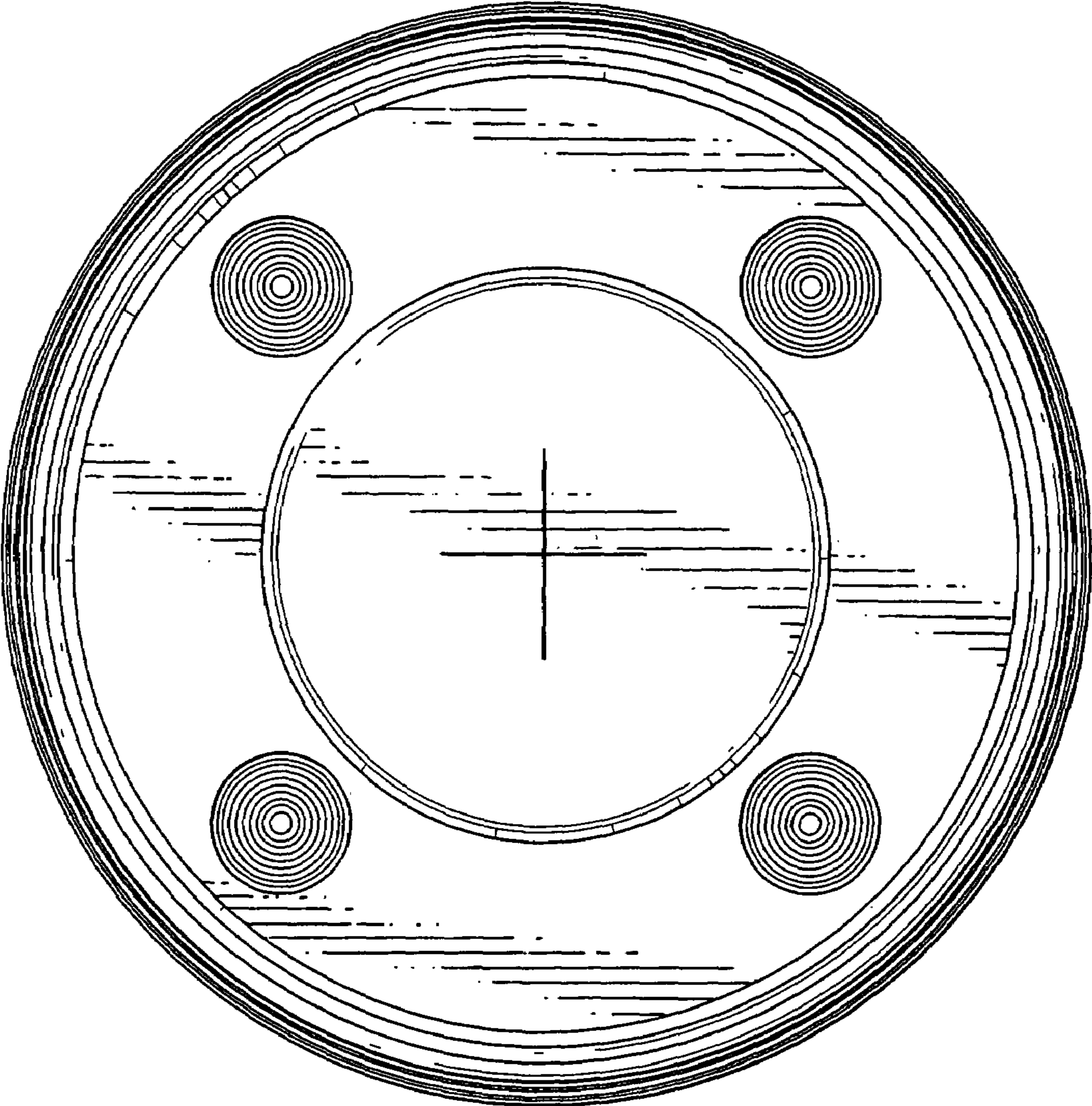


FIG. 7

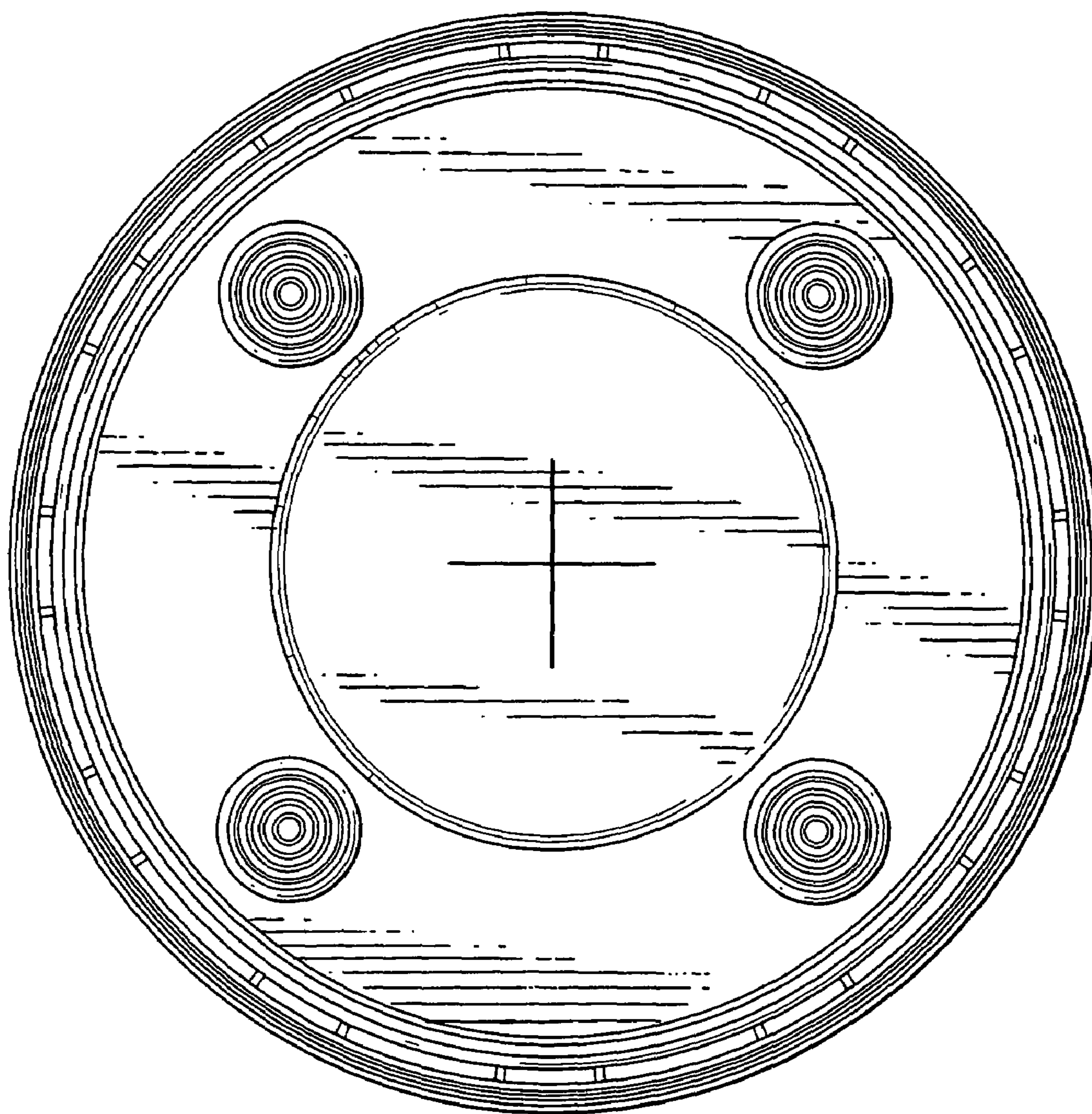


FIG. 8

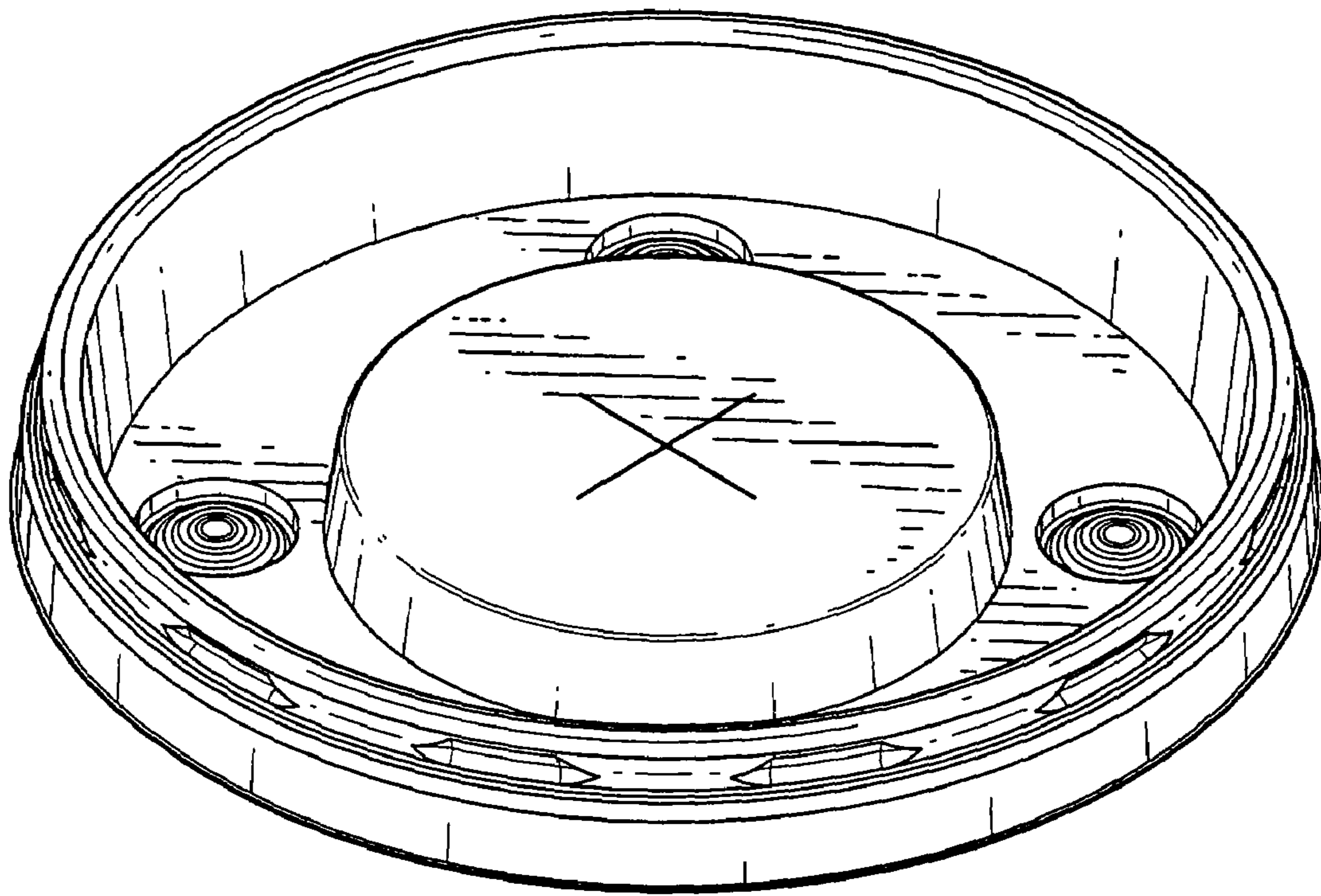


FIG. 9

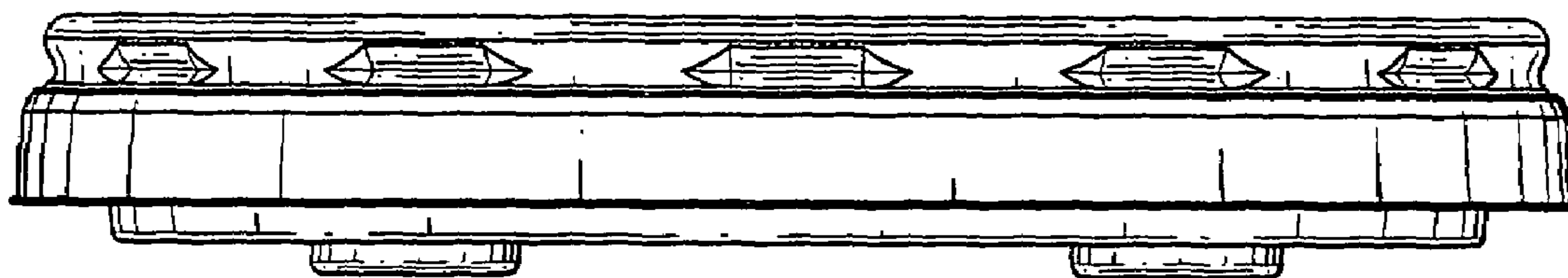


FIG. 10

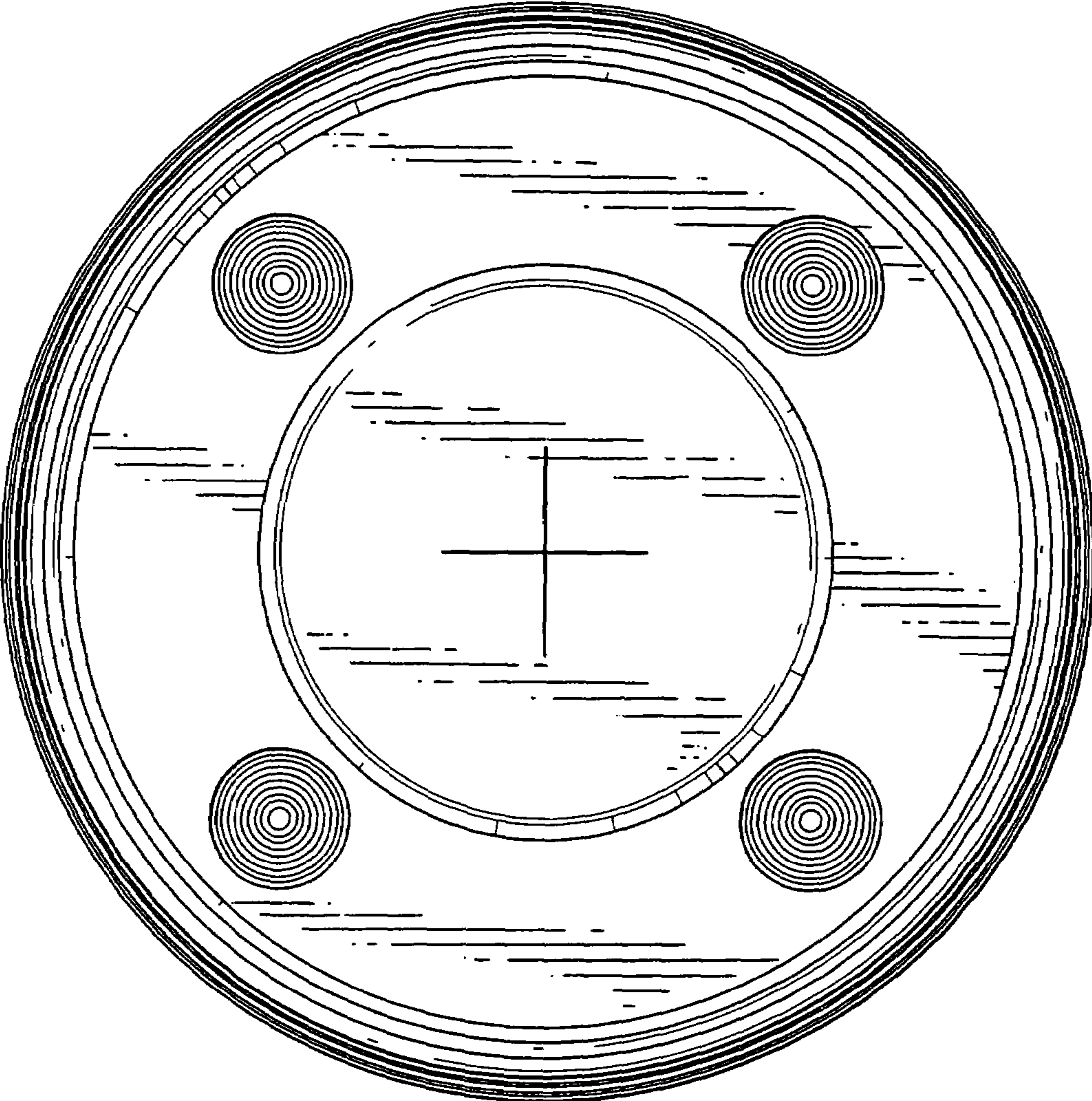


FIG. 11

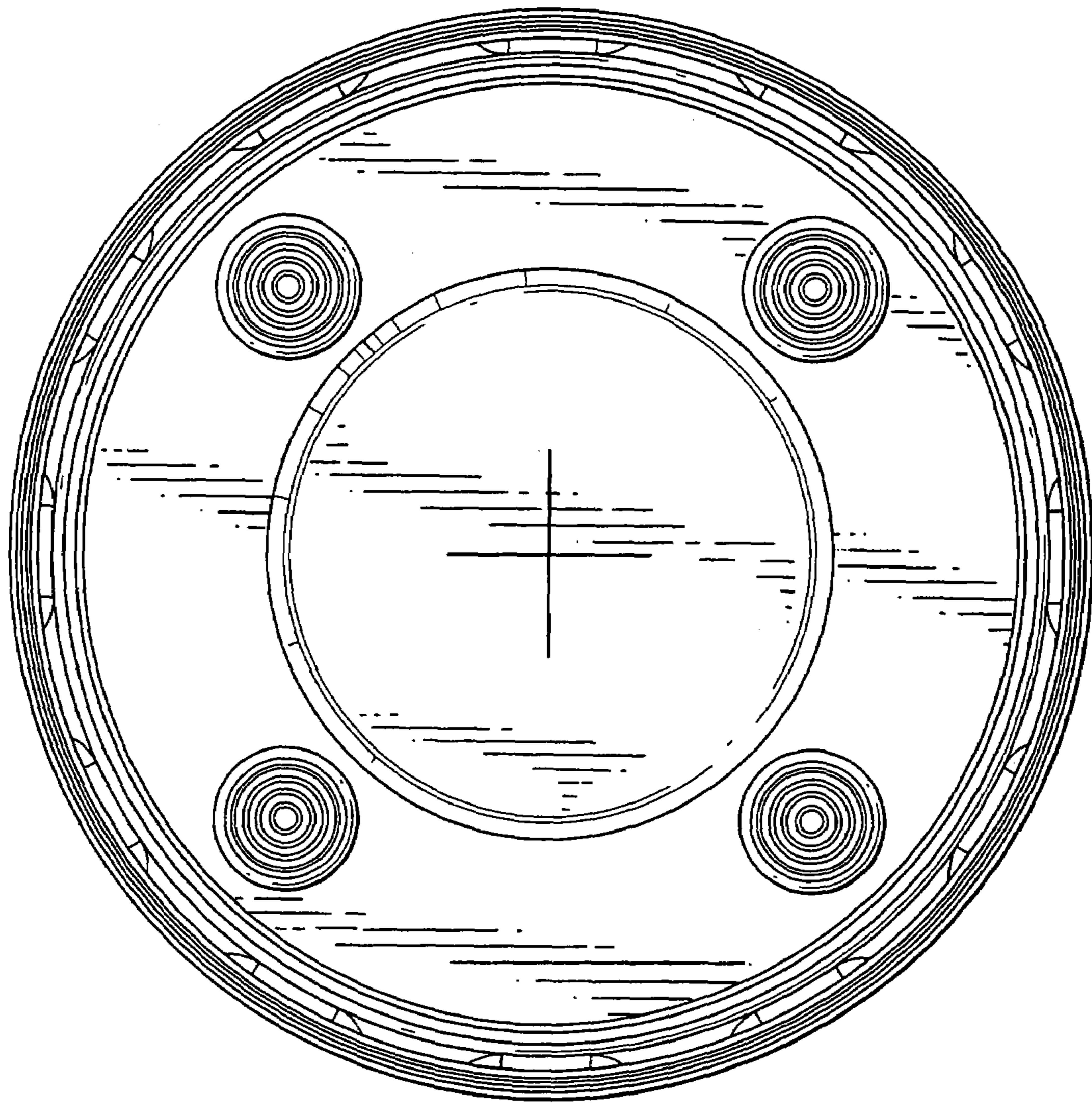


FIG. 12

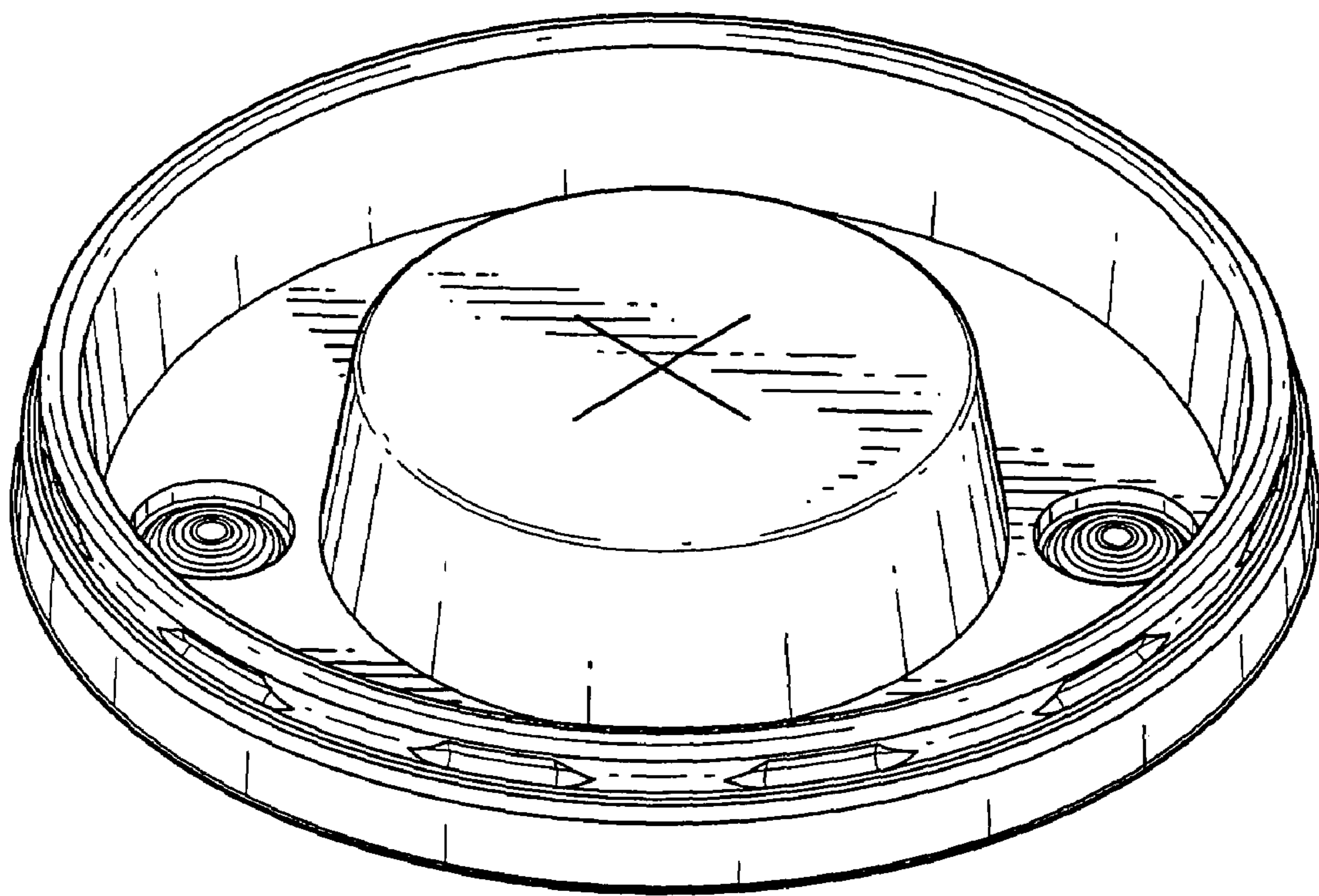


FIG. 13

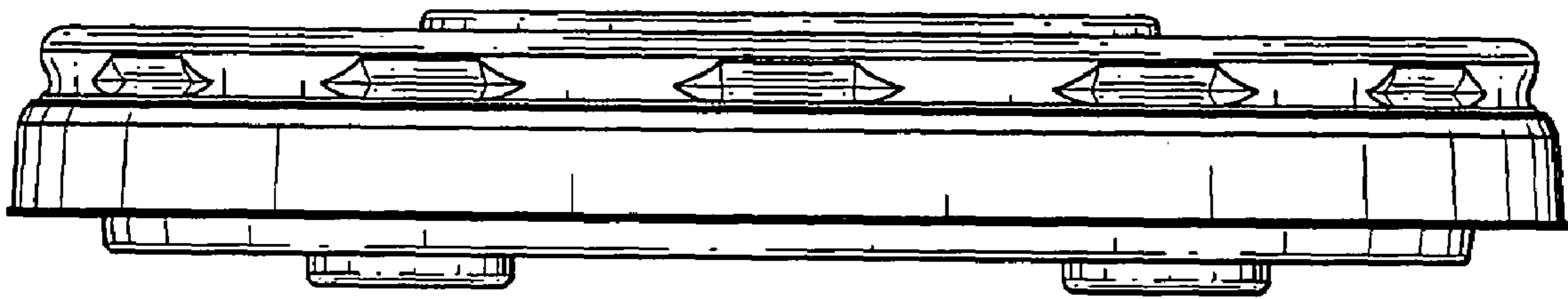


FIG.14

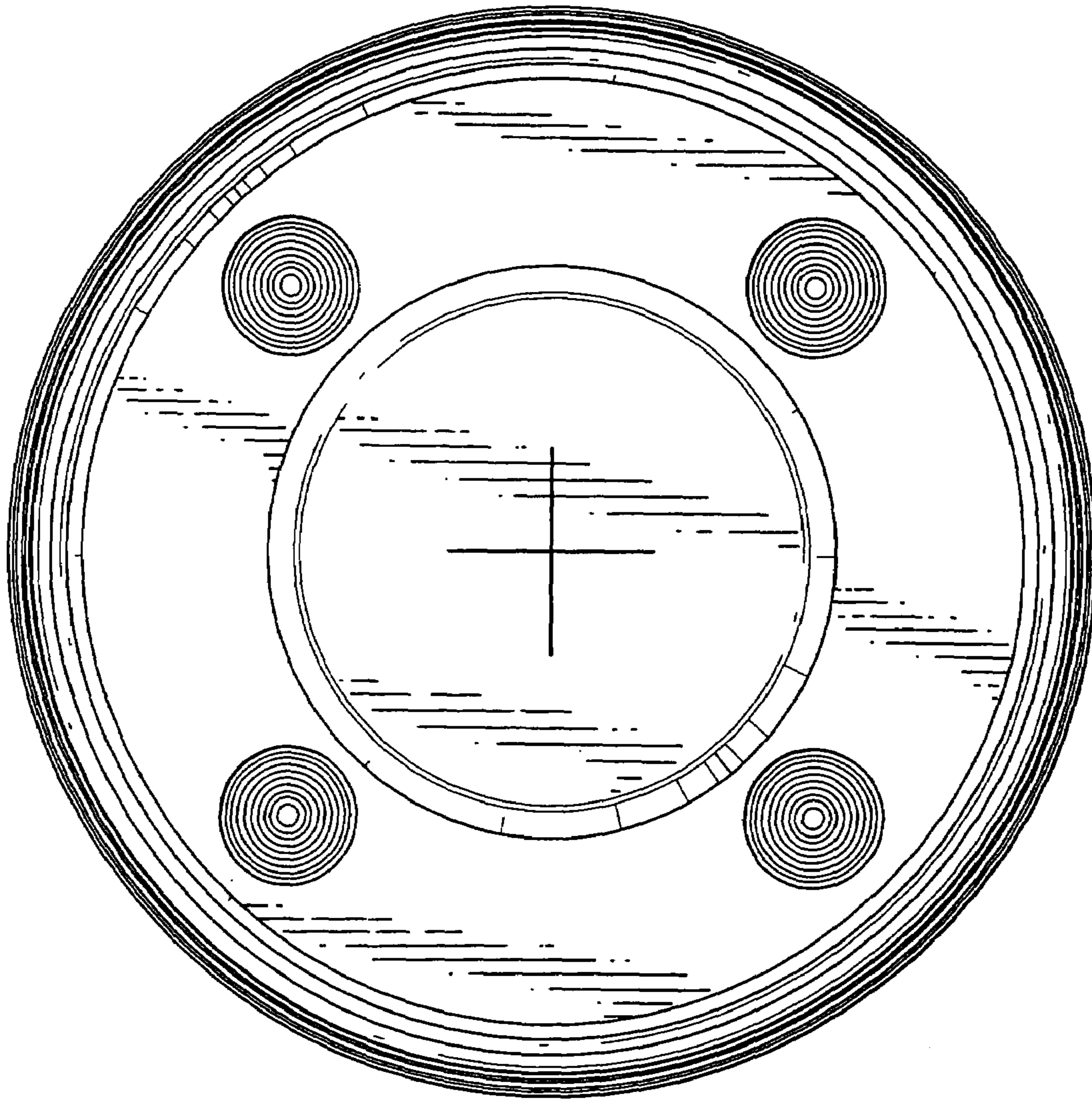


FIG. 15

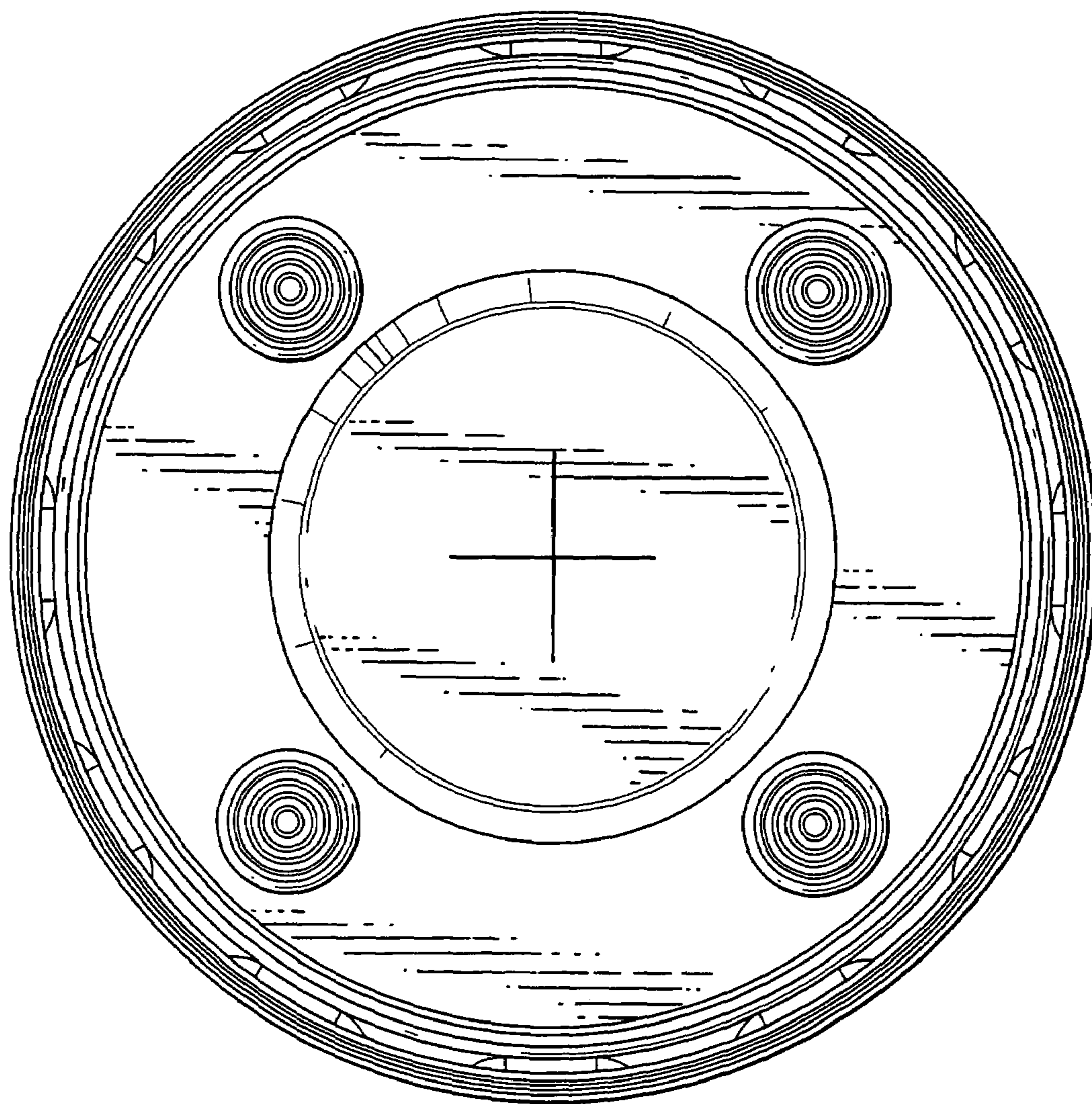


FIG. 16

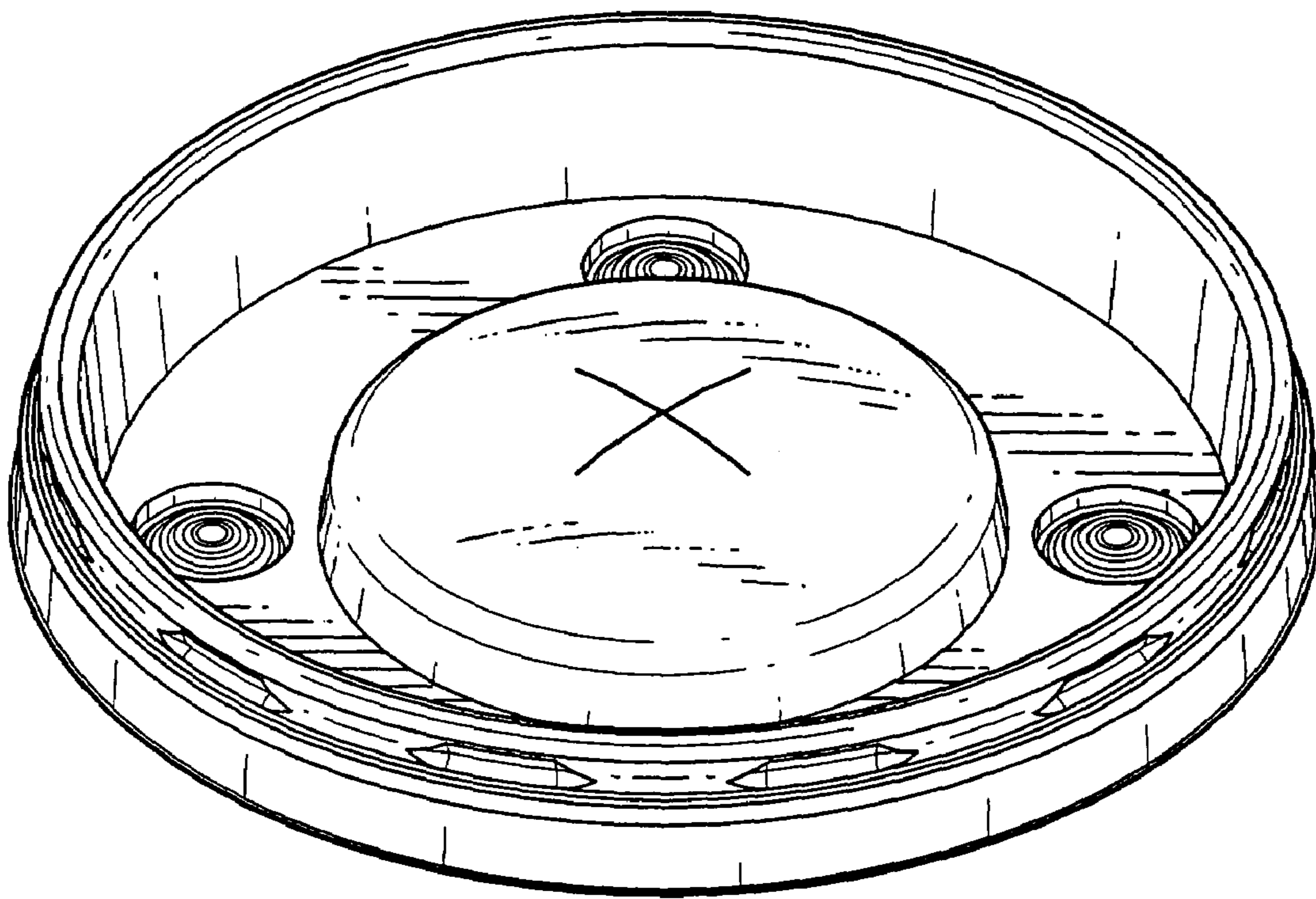


FIG. 17

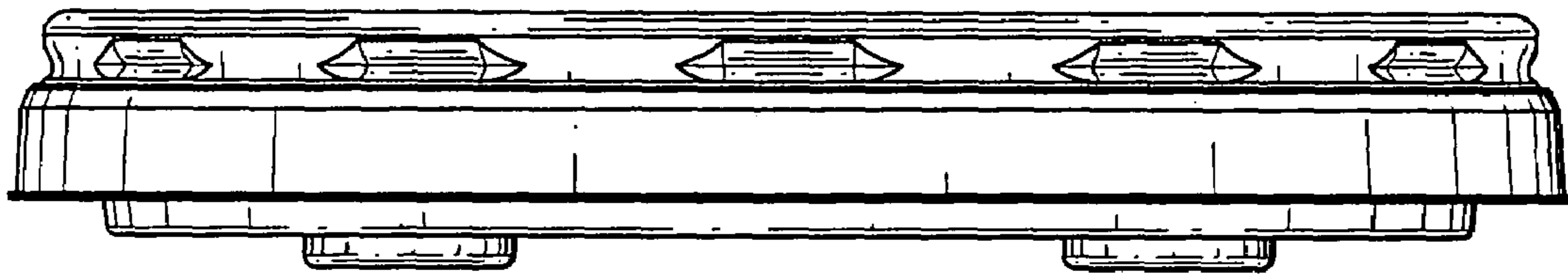


FIG. 18

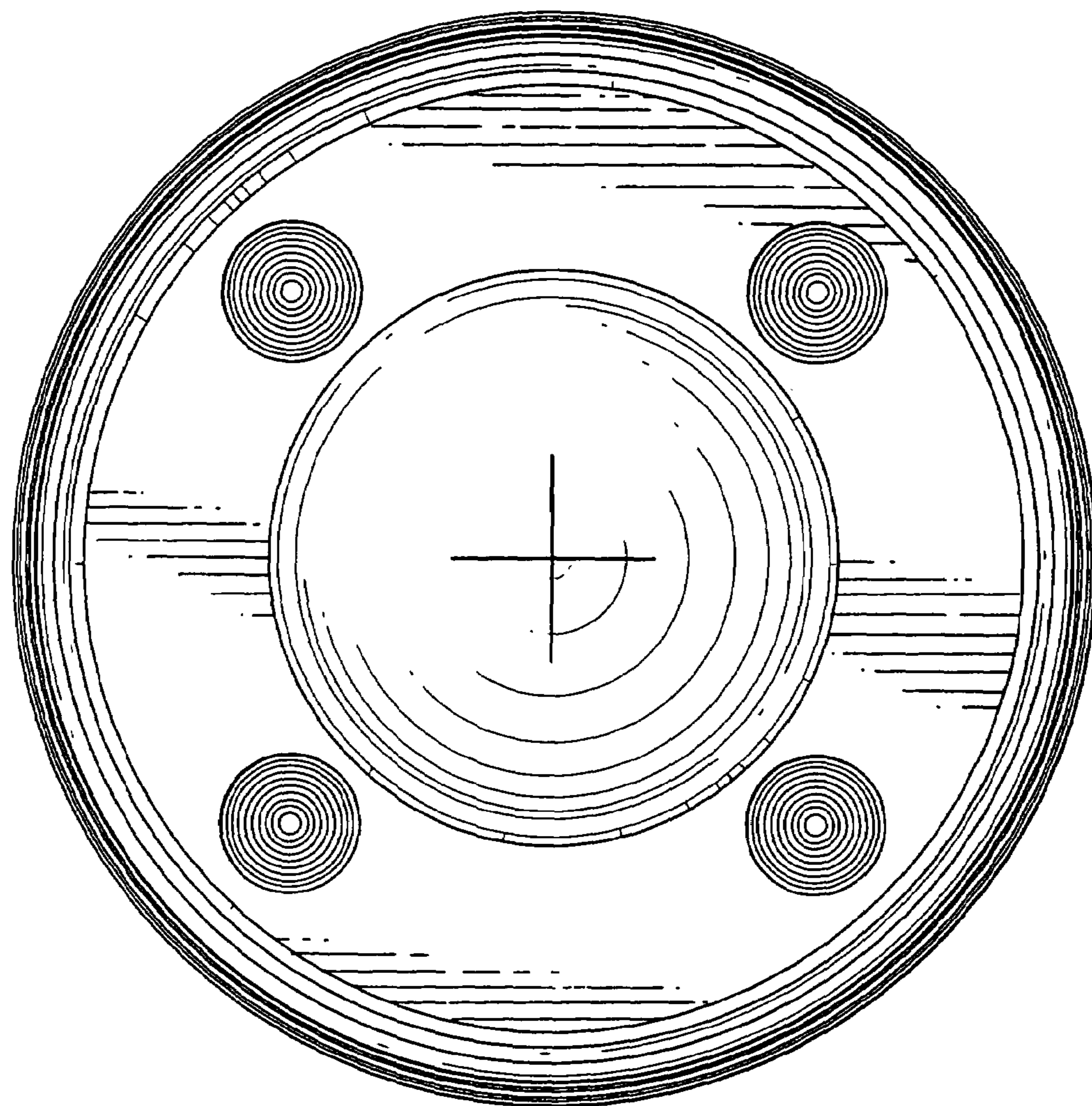


FIG. 19

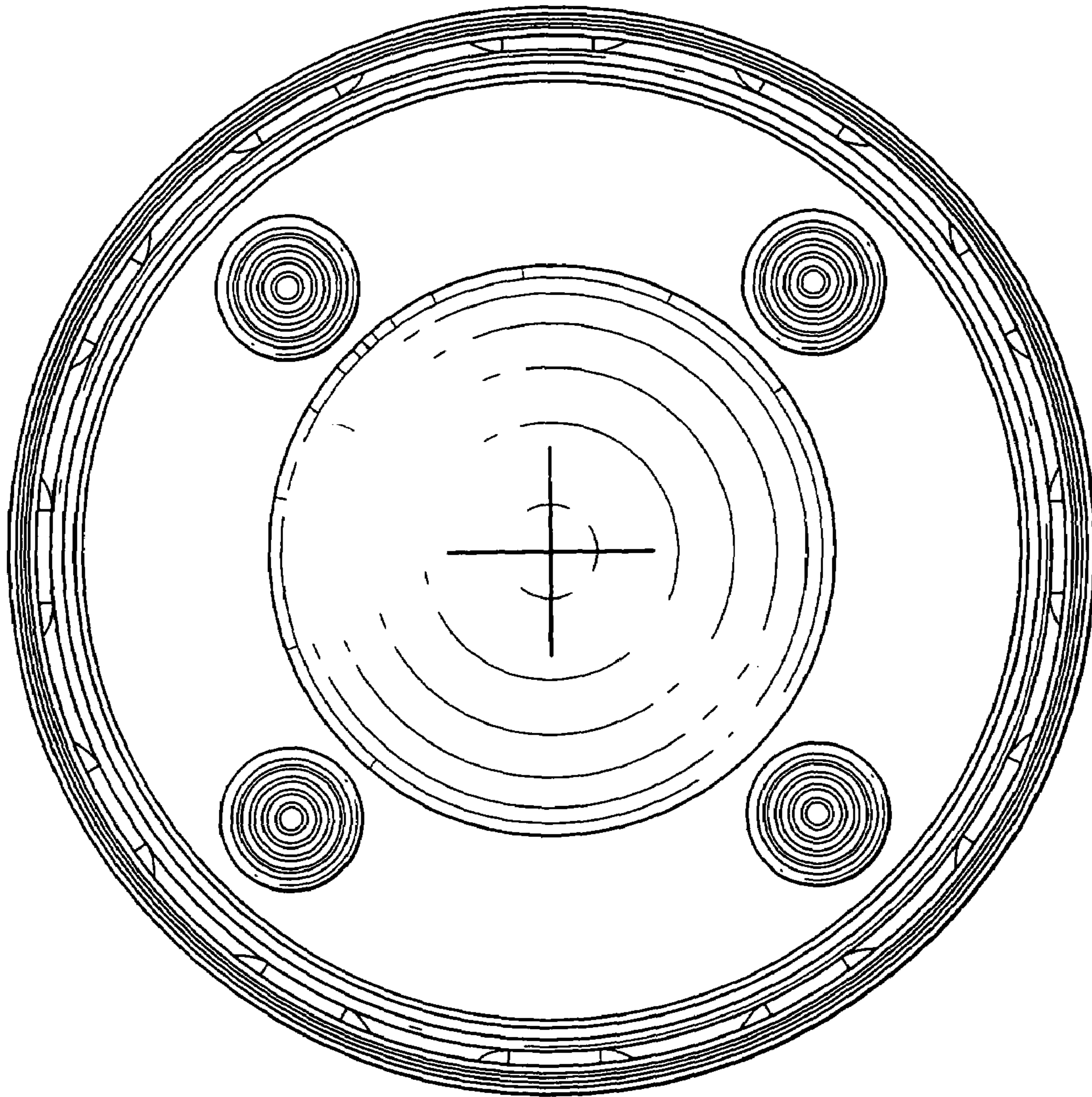


FIG. 20

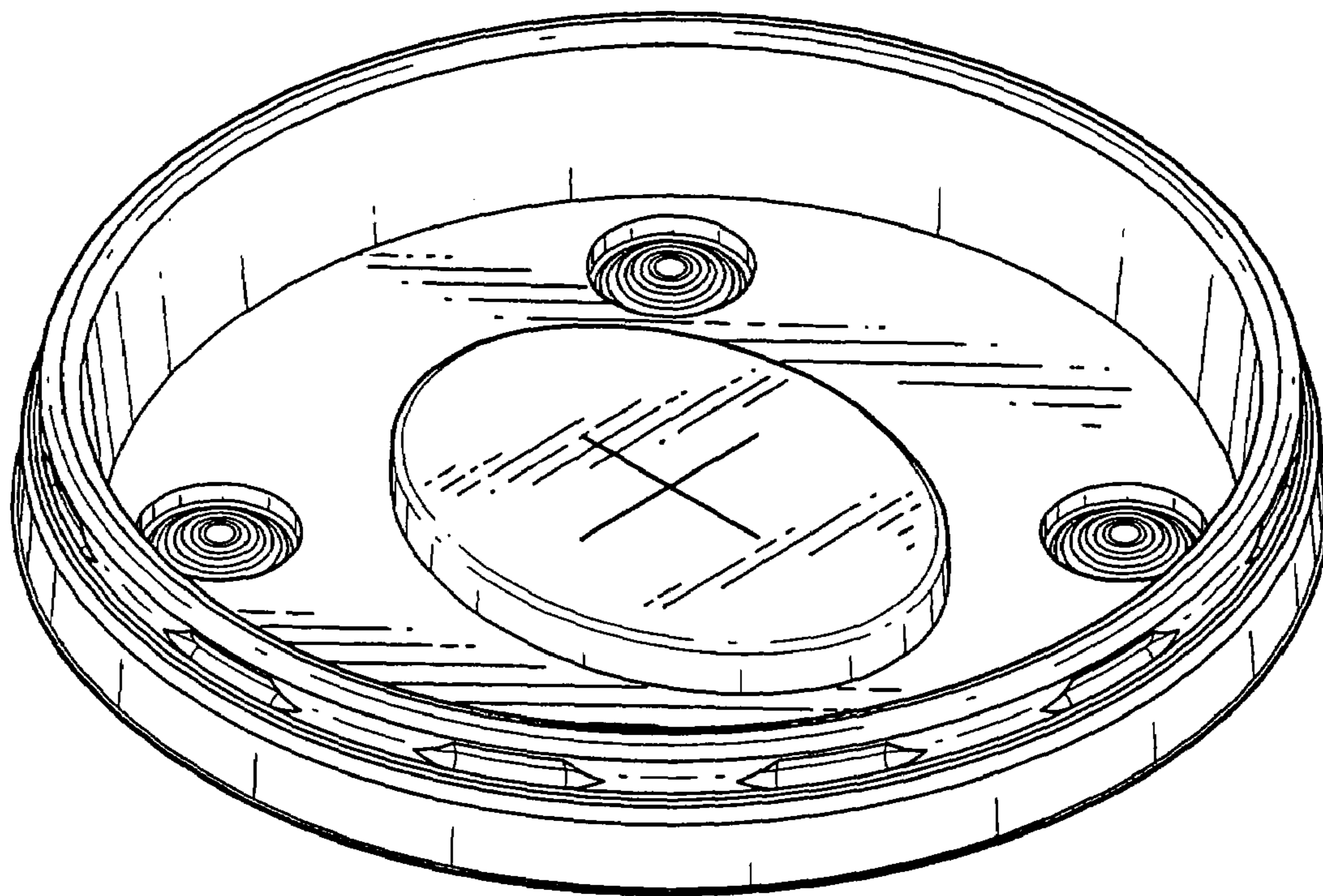


FIG. 21

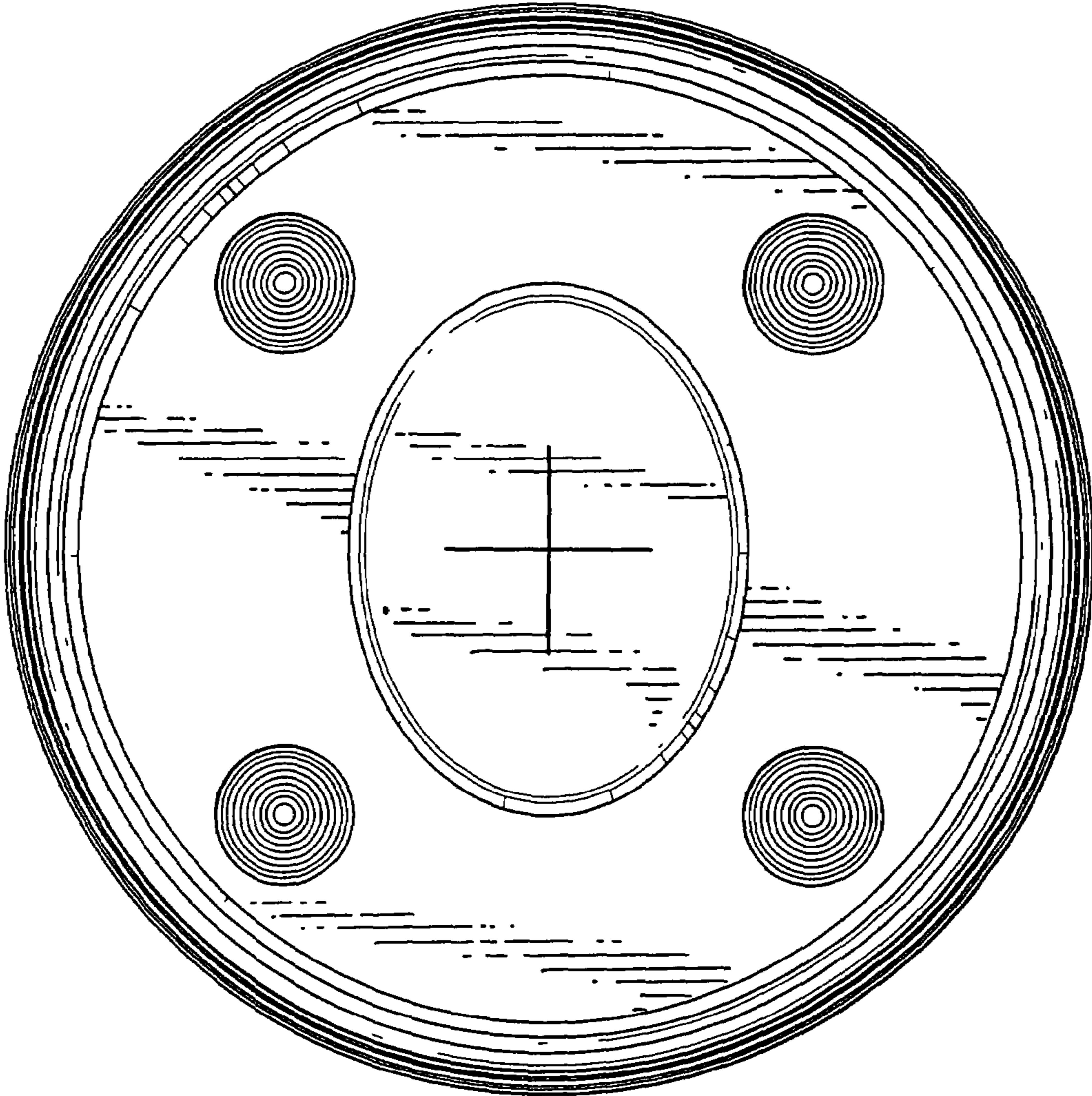


FIG.22