



US00D556033S

(12) **United States Design Patent**
Ennest et al.

(10) **Patent No.:** **US D556,033 S**

(45) **Date of Patent:** **** Nov. 27, 2007**

(54) **CLAMP**

(76) Inventors: **Myron Ennest**, 4350 Dirker, Saginaw, MI (US) 48638; **Mark J. McKinley**, 1109 Brissette Beach Rd., Kawkawlin, MI (US) 48631; **Stacy N. Pastein**, 2404 Lalkwood Dr., Midland, MI (US) 48640; **Mark J. Kochevar**, 4544 Eastwood Dr., Auburn, MI (US) 48611

(**) Term: **14 Years**

(21) Appl. No.: **29/249,379**

(22) Filed: **Oct. 4, 2006**

(51) **LOC (8) Cl.** **08-08**

(52) **U.S. Cl.** **D8/383**

(58) **Field of Classification Search** D8/356,
D8/383, 395, 396; 411/112; 24/115 G, 136,
24/625; D11/215

See application file for complete search history.

(56) **References Cited**

U.S. PATENT DOCUMENTS

424,022 A *	3/1890	Park	24/134 R
1,189,679 A *	7/1916	Furey	24/134 R
1,921,286 A *	8/1933	Erickson	24/133
4,998,327 A *	3/1991	Hull et al.	24/134 R
D477,776 S *	7/2003	Pontaoe	D8/396

* cited by examiner

Primary Examiner—Holly H. Baynham

Assistant Examiner—Sheryl Friedman

(74) *Attorney, Agent, or Firm*—Robert L. Stearns; Dickinson Wright PLLC

(57) **CLAIM**

We claim the ornamental design for a clamp, as shown and described.

DESCRIPTION

FIG. 1 is a front perspective view of the clamp while in an unclamped position;

FIG. 2 is a front view of the clamp in the unclamped position;

FIG. 3 is front view of the clamp while in a clamped position;

FIG. 4 is a top view of the clamp while in the unclamped position;

FIG. 5 is a rear view of the clamp while in the unclamped position;

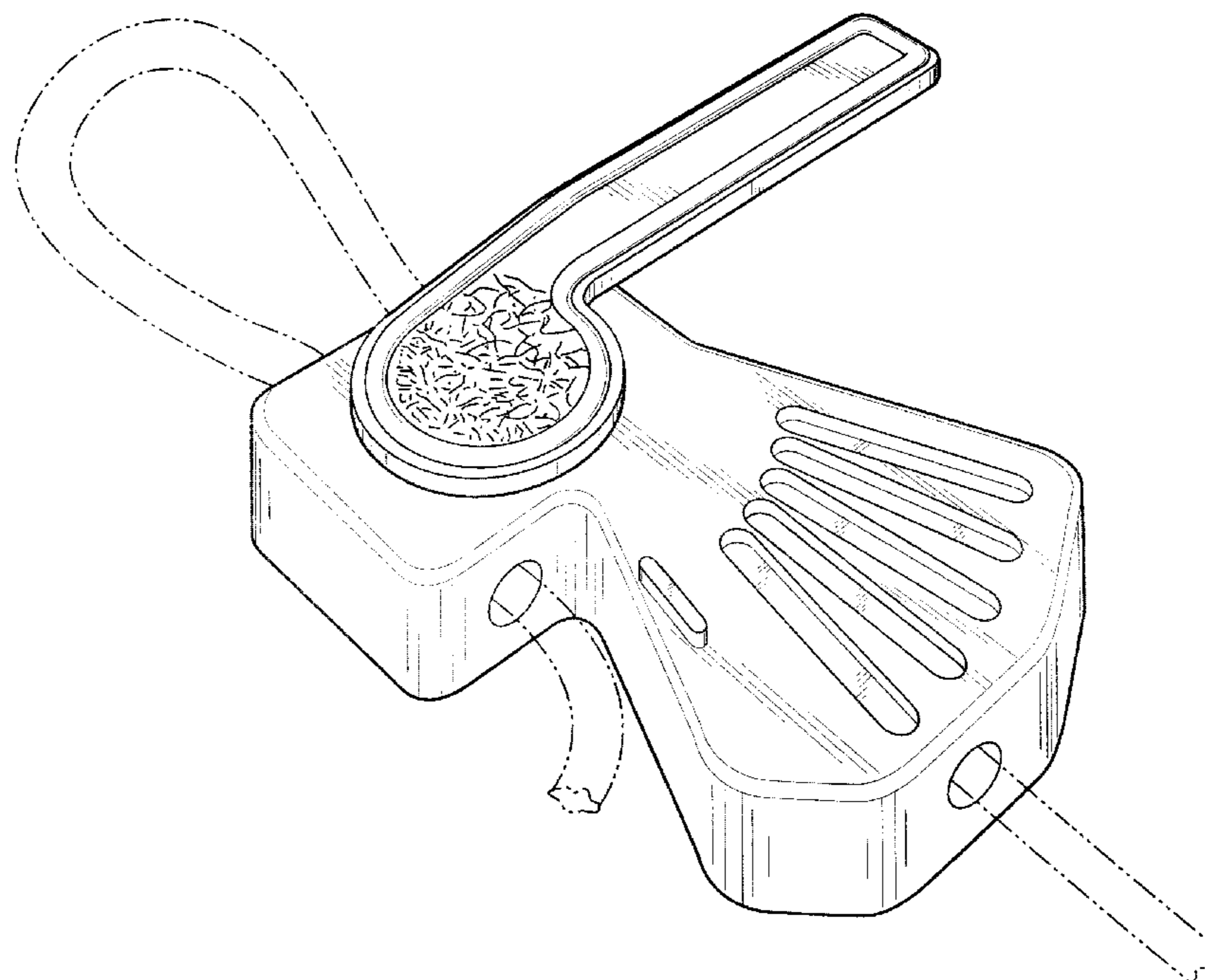
FIG. 6 is a left side view of the clamp while in the unclamped position;

FIG. 7 is a right side view of the clamp while in the unclamped position; and,

FIG. 8 is a bottom view of the clamp while in the unclamped position.

The broken line showing of rope is for the purpose of illustrating environmental structure and forms no part of the claimed design.

1 Claim, 4 Drawing Sheets



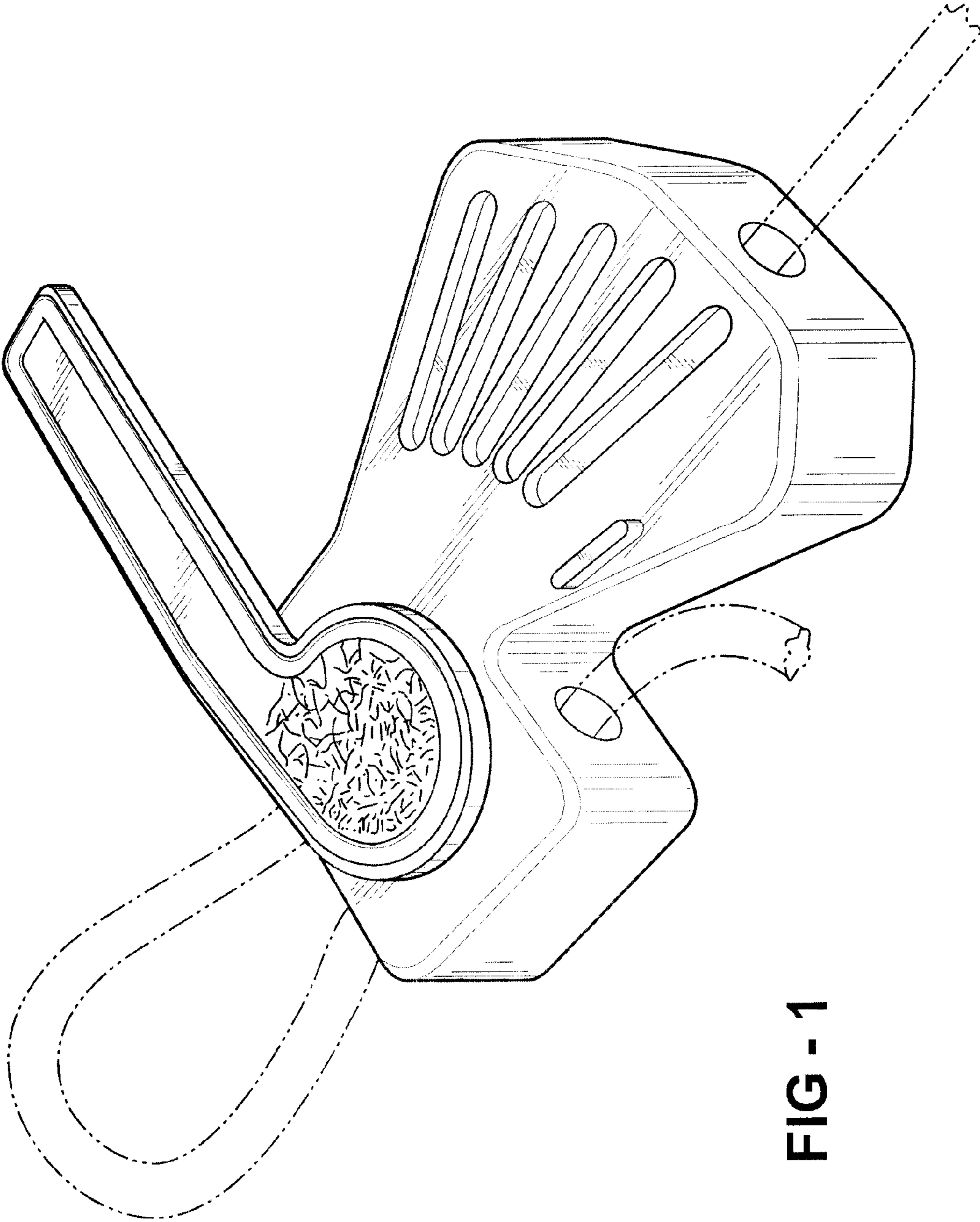


FIG - 1

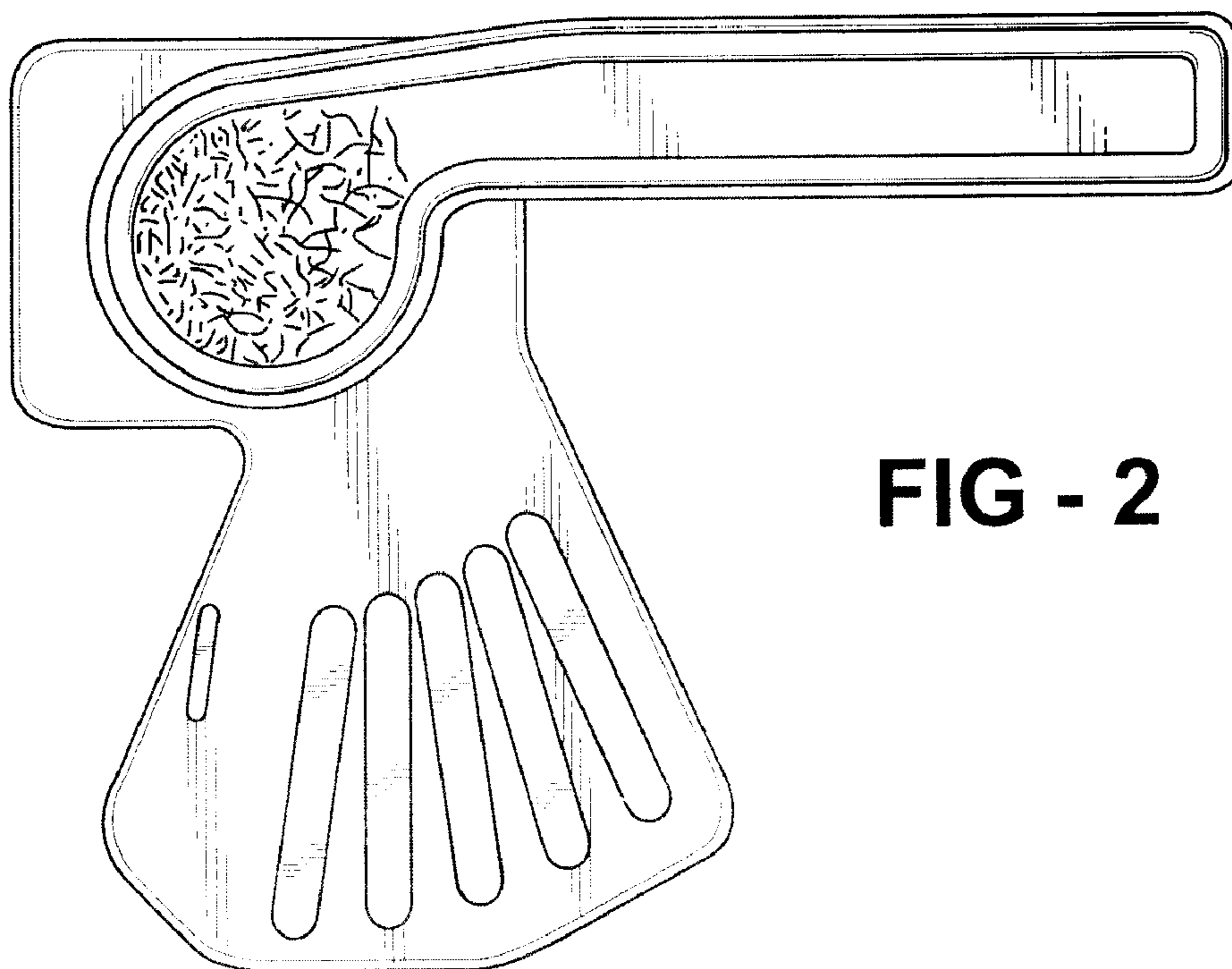


FIG - 2

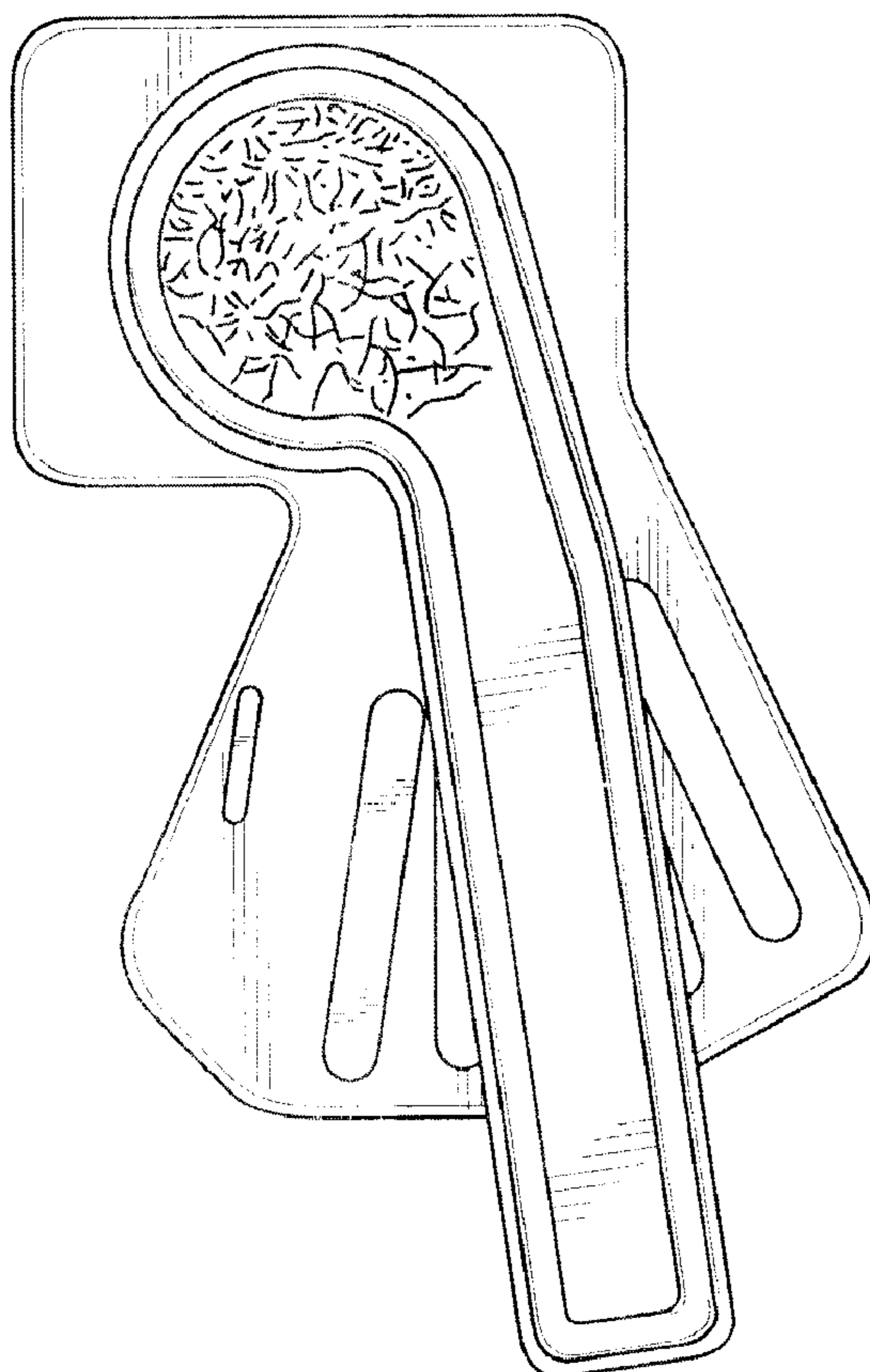


FIG - 3

FIG - 4

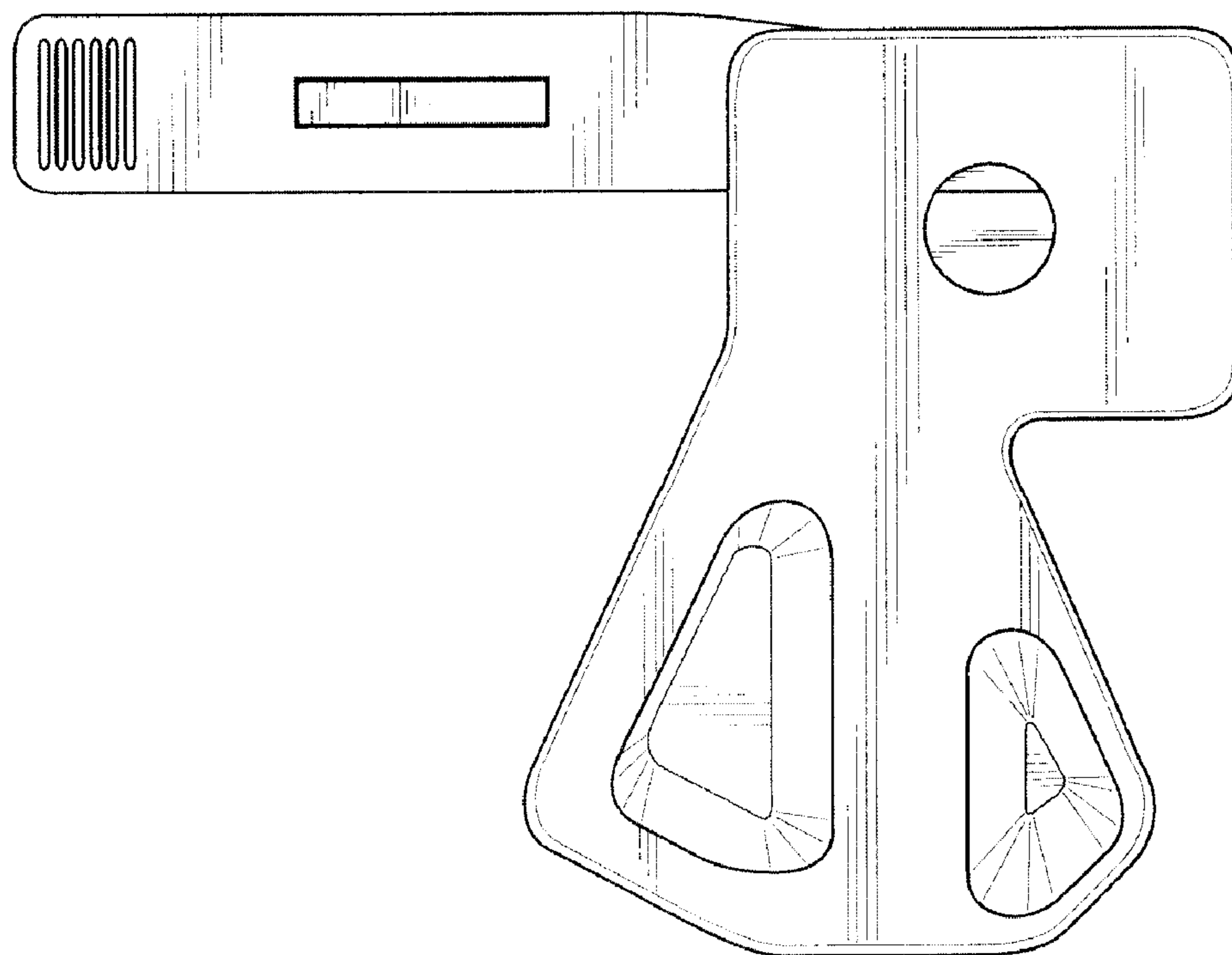
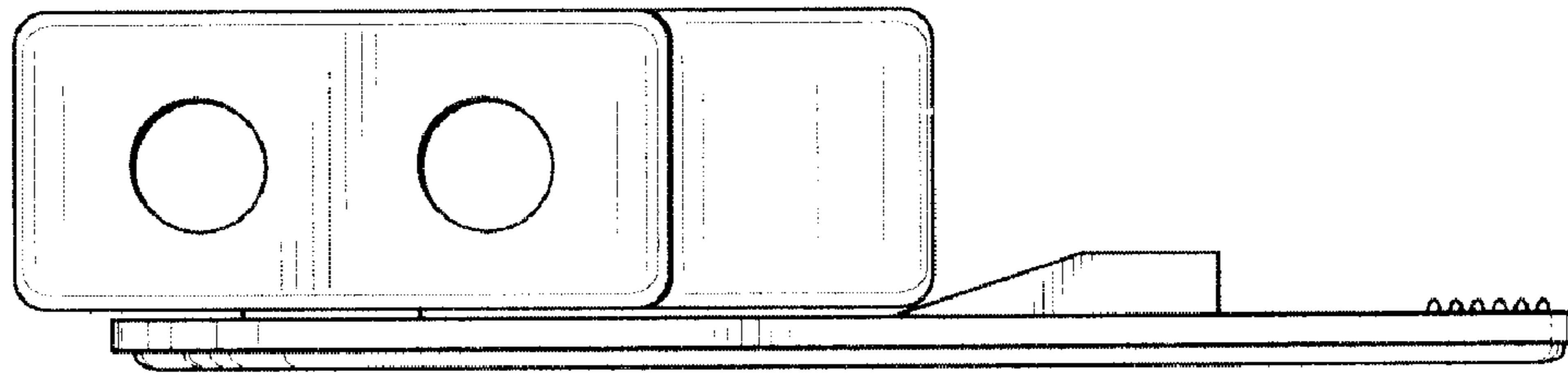


FIG - 5

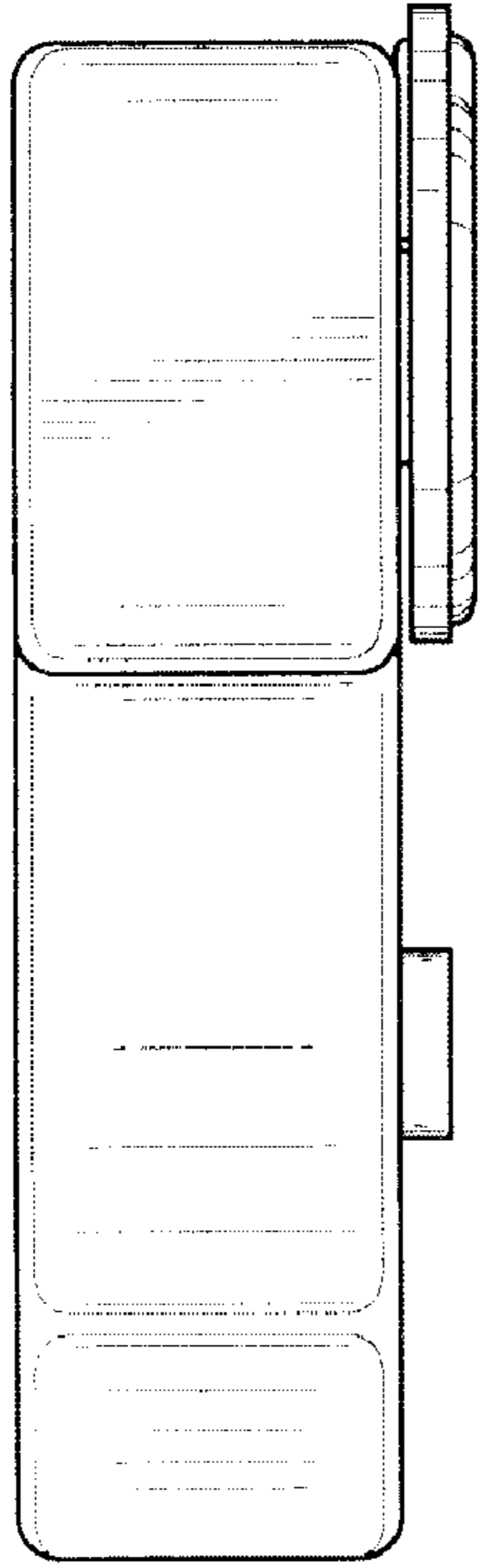


FIG - 6

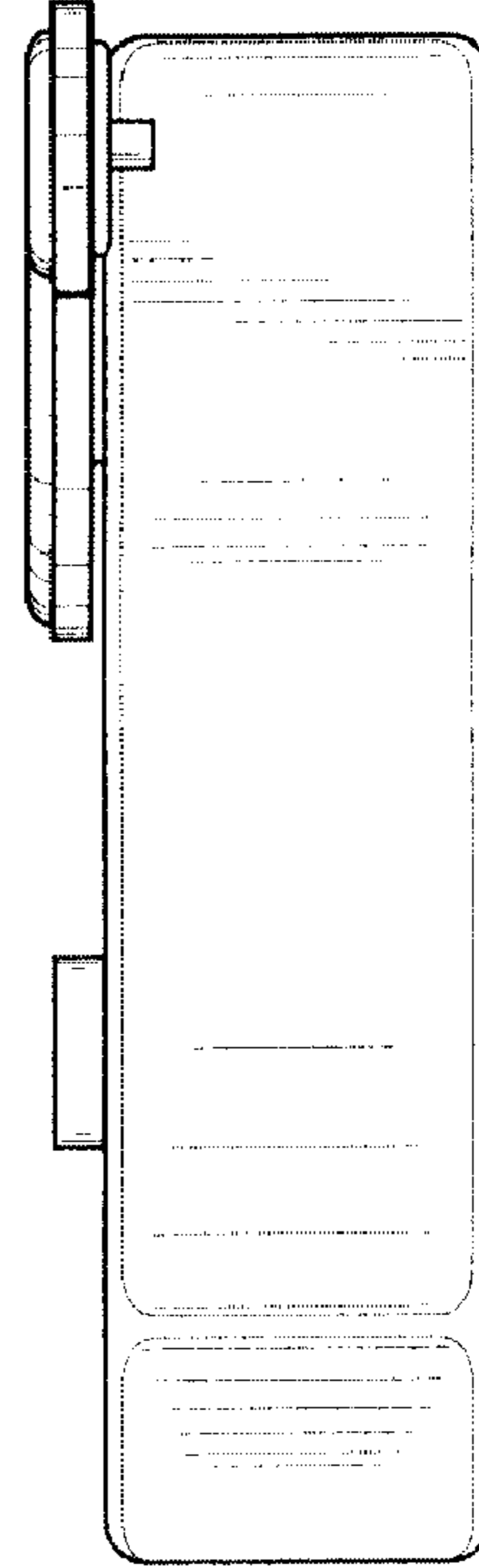


FIG - 7

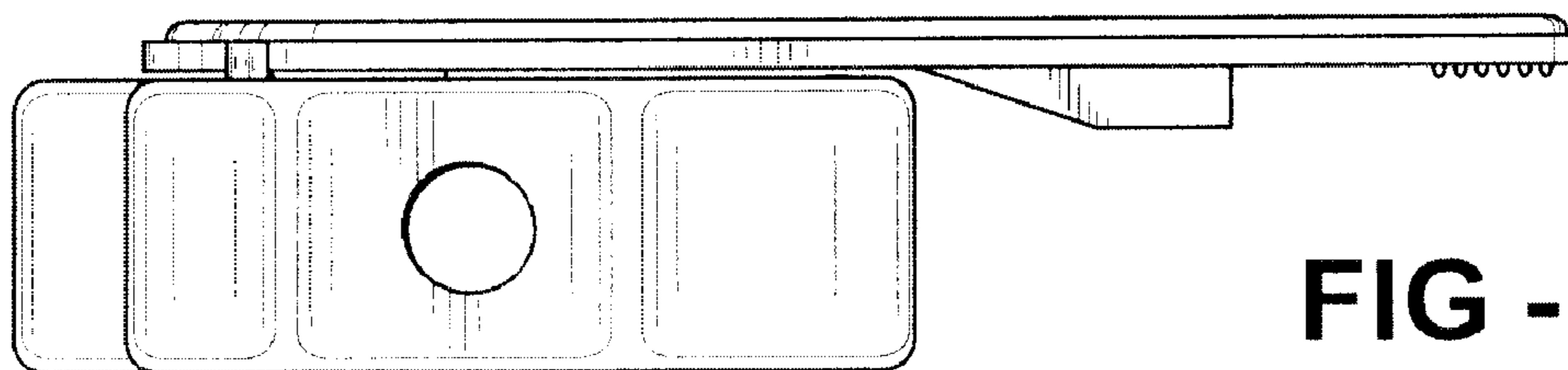


FIG - 8