



US00D556029S

(12) **United States Design Patent**
Kubota

(10) **Patent No.:** **US D556,029 S**

(45) **Date of Patent:** **** Nov. 27, 2007**

(54) **MALE MEMBER FOR A WALL HANGER**

(75) Inventor: **Harunobu Kubota**, Tokyo (JP)

(73) Assignee: **Sugatsune Kogyo Co., Ltd.**,
Chiyoda-ku (JP)

(**) Term: **14 Years**

(21) Appl. No.: **29/236,358**

(22) Filed: **Aug. 16, 2005**

(30) **Foreign Application Priority Data**

Feb. 23, 2005 (JP) 2005-004887

(51) **LOC (8) Cl.** **08-05**

(52) **U.S. Cl.** **D8/380**

(58) **Field of Classification Search** D8/380,
D8/373; D25/136, 122, 119; D14/451; 52/718.04,
52/716.1; 256/69, 67, 24; 248/220.1, 200,
248/205.3, 201, 207, 917

See application file for complete search history.

(56) **References Cited**

U.S. PATENT DOCUMENTS

D245,791 S *	9/1977	Copeland	D25/119
D251,019 S *	2/1979	Brady	D25/119
D378,785 S *	4/1997	Gearing	D25/119
6,131,864 A *	10/2000	Schumann	248/205.3
D492,424 S *	6/2004	Barnett	D25/119
2006/0138291 A1 *	6/2006	Cies	248/205.3

* cited by examiner

Primary Examiner—Robert M. Spear

Assistant Examiner—Susan Bennett Hattan

(74) *Attorney, Agent, or Firm*—Bacon & Thomas, PLLC

(57) **CLAIM**

The ornamental design for a male member for a wall hanger, as shown and described.

DESCRIPTION

FIG. 1 is a plan view of a male member for a wall hanger embodying my new design;

FIG. 2 is a front view thereof;

FIG. 3 is a bottom view thereof;

FIG. 4 is a left side view thereof;

FIG. 5 is a rear view thereof;

FIG. 6 is a perspective view thereof, shown in a condition of use;

FIG. 7 is a perspective view thereof, shown in a condition of use;

FIG. 8 is a perspective view of a second embodiment, shown in a condition of use; and,

FIG. 9 is a perspective view showing both embodiments in a condition of use.

The broken line showing of the environment in which the male member for a wall hanger is used is included for the purpose of illustration only and forms no part of the claimed design.

1 Claim, 5 Drawing Sheets



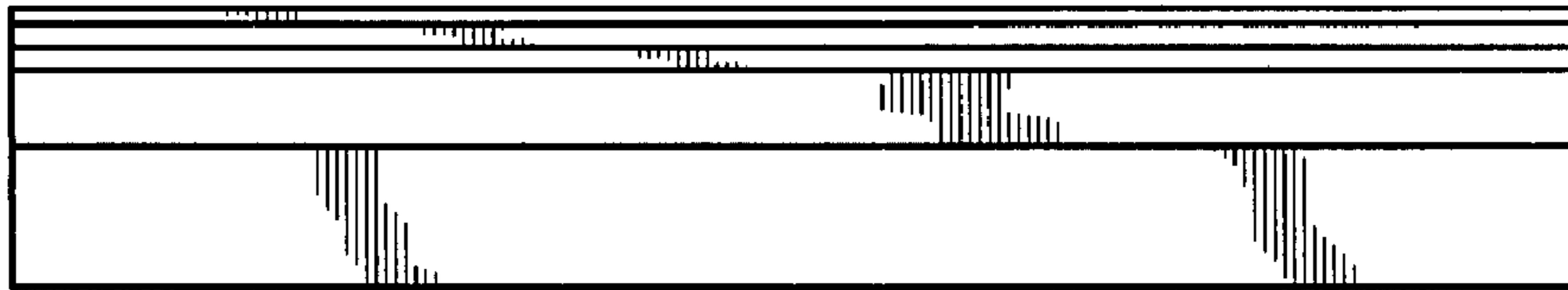


FIG. 1

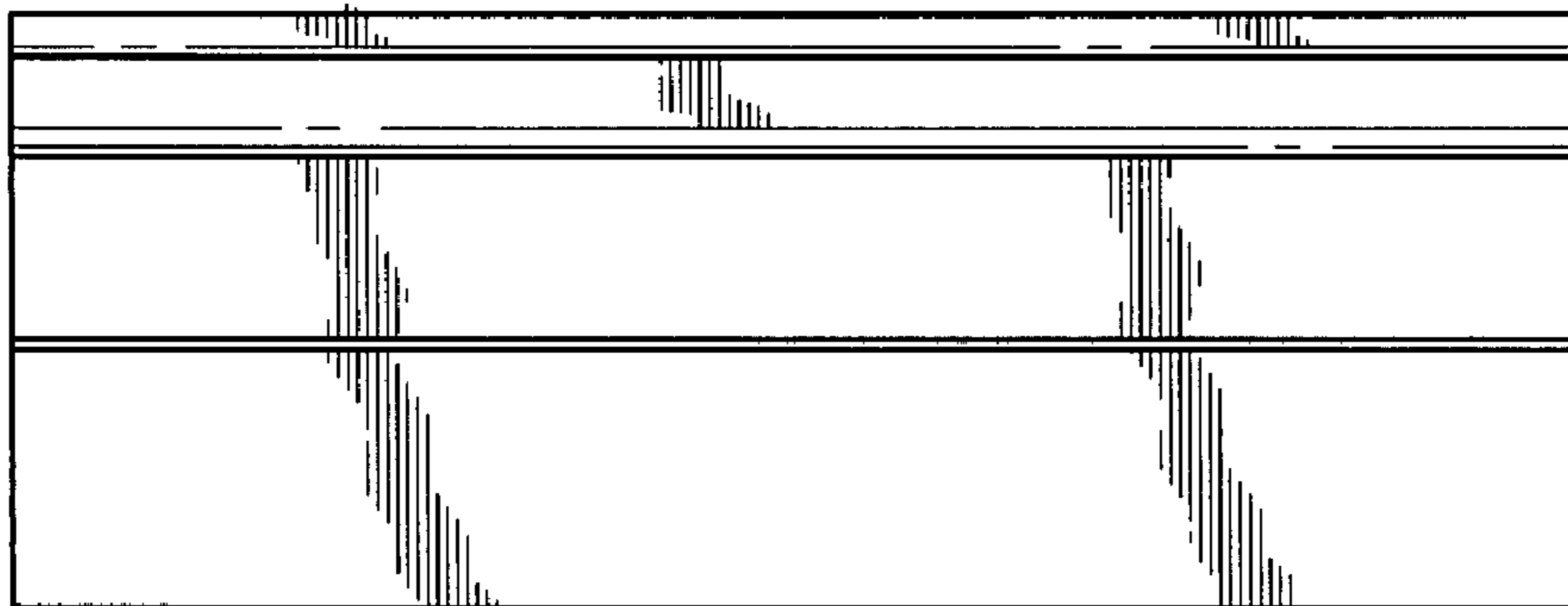


FIG. 2

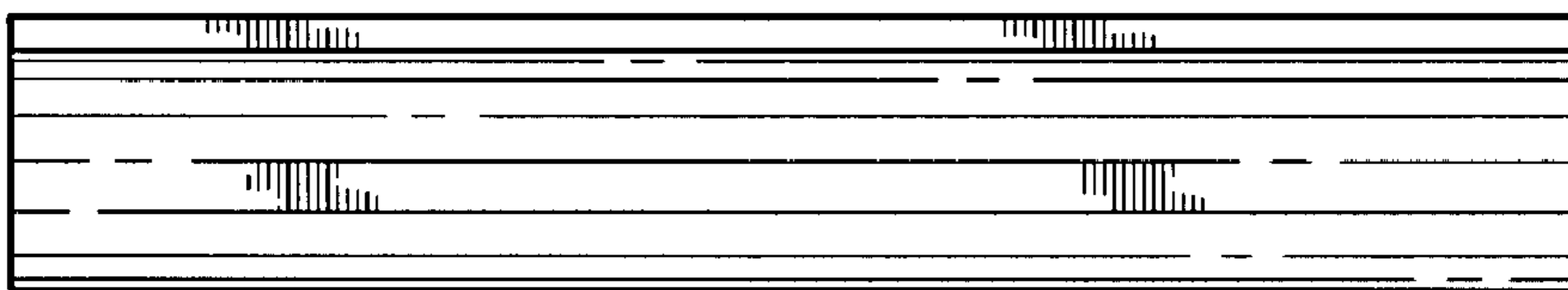


FIG. 3

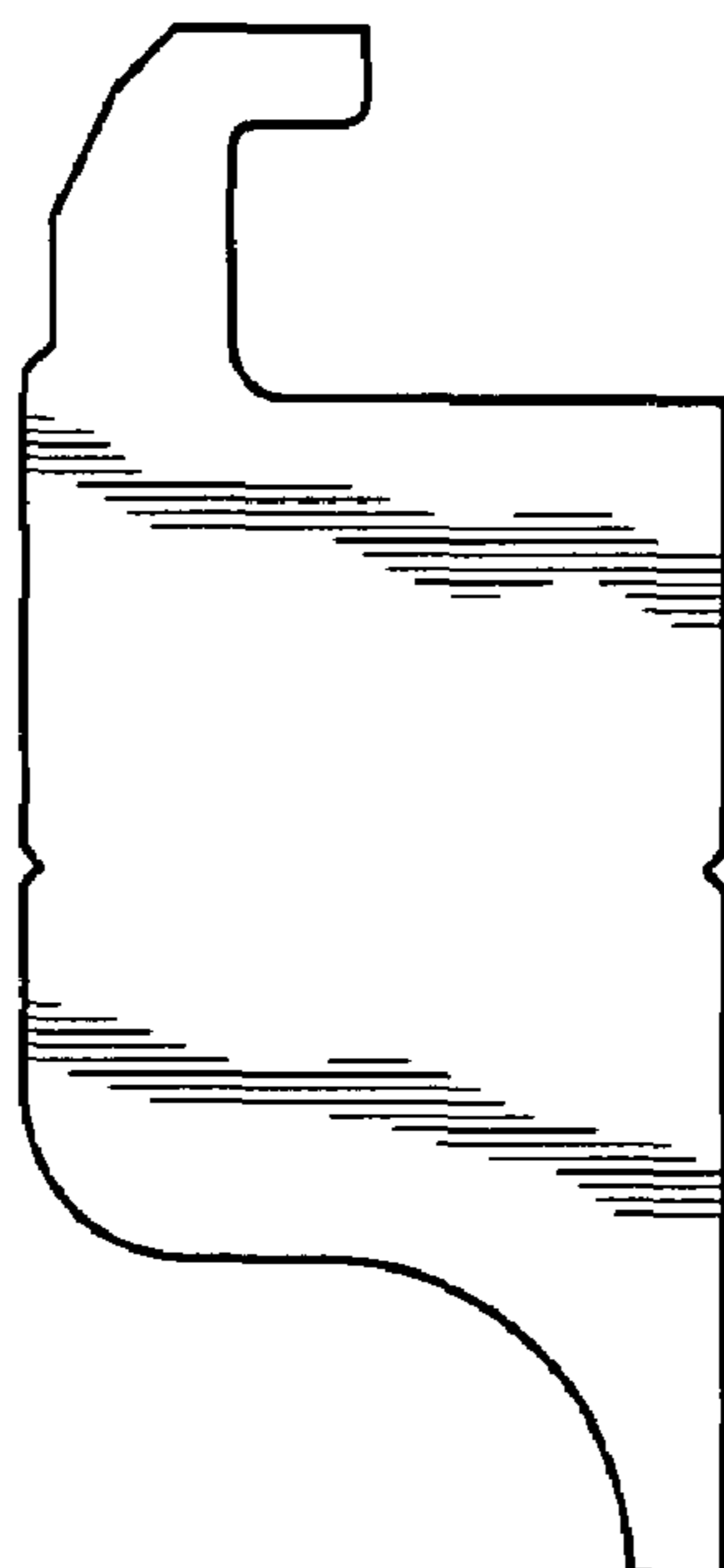


FIG. 4

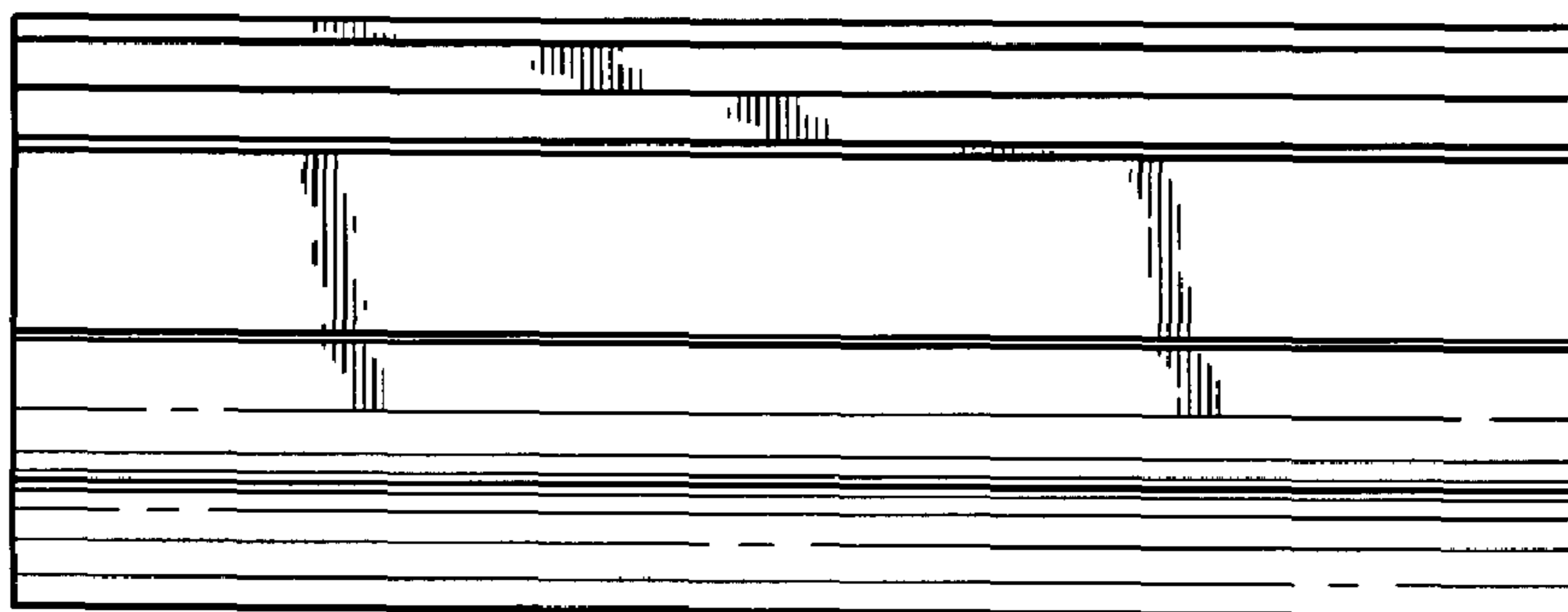


FIG. 5

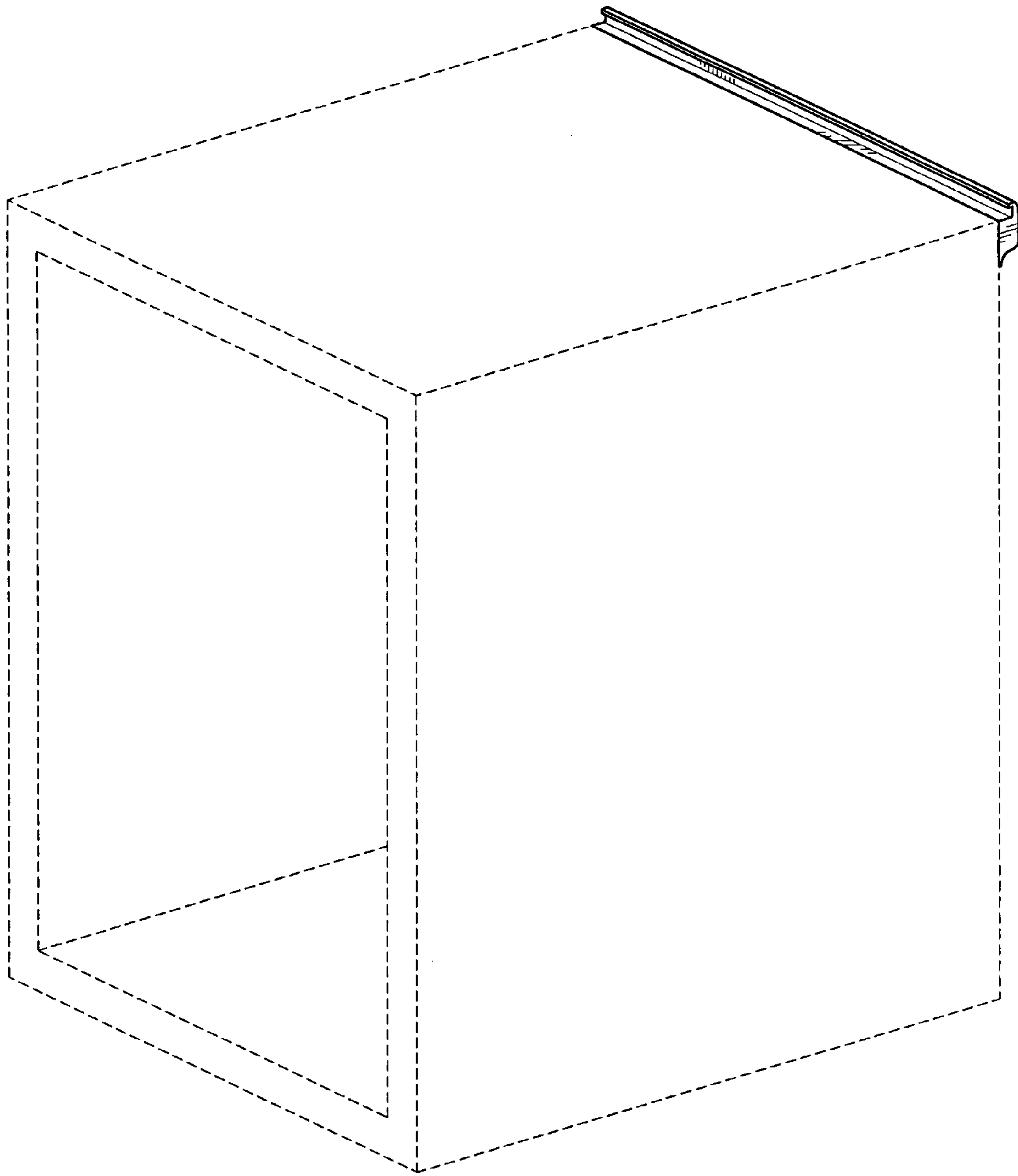


FIG. 6

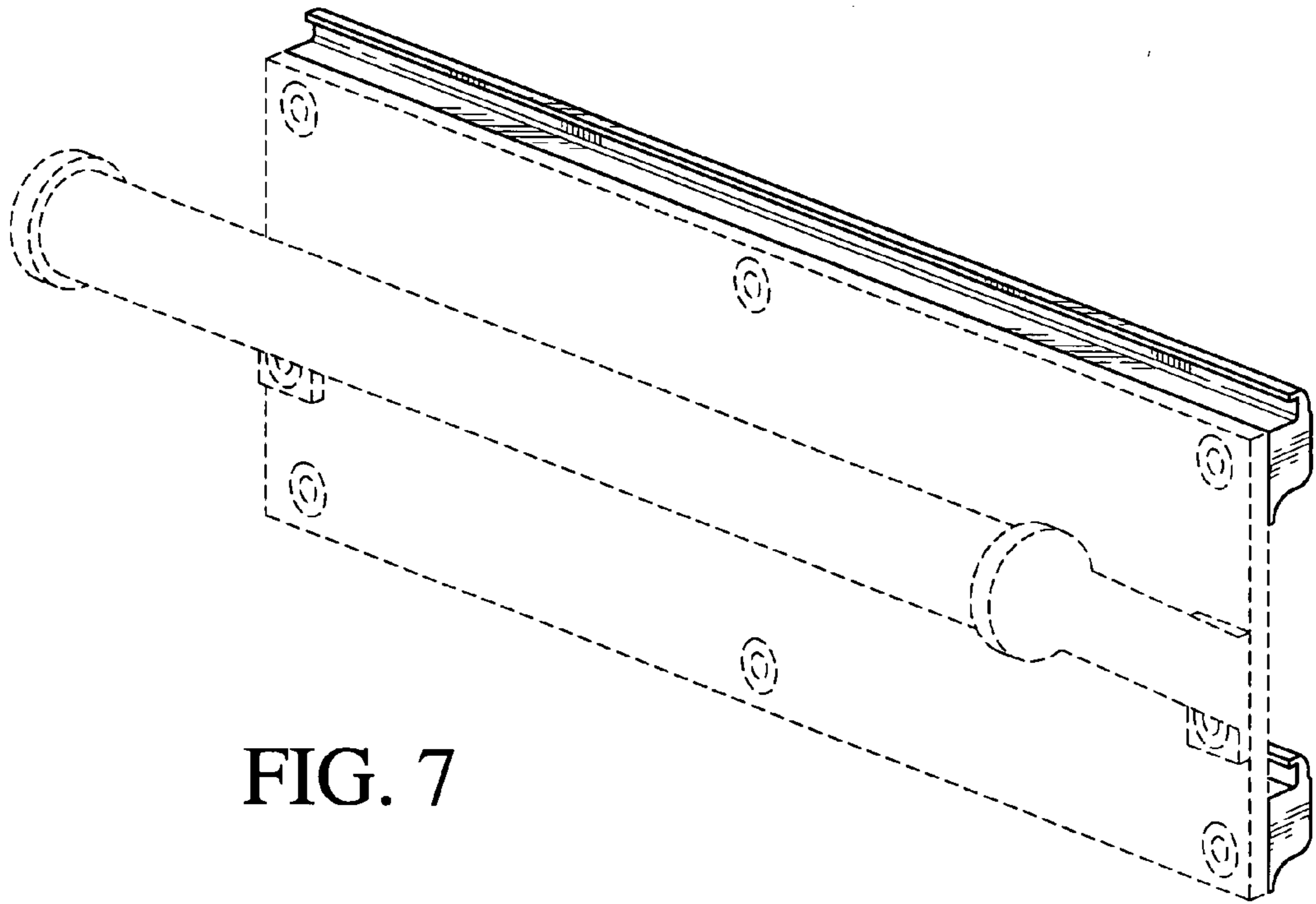


FIG. 7

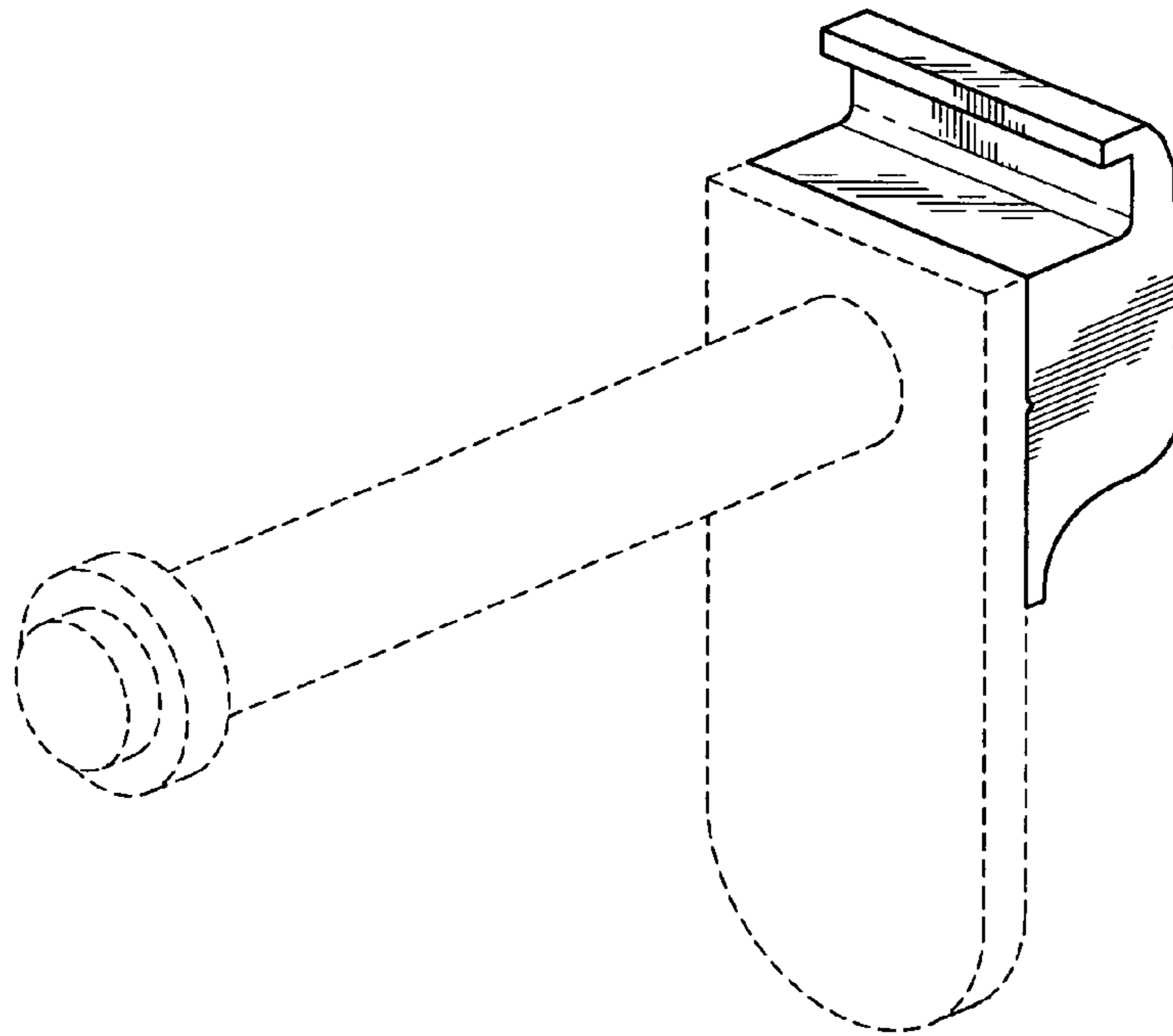


FIG. 8

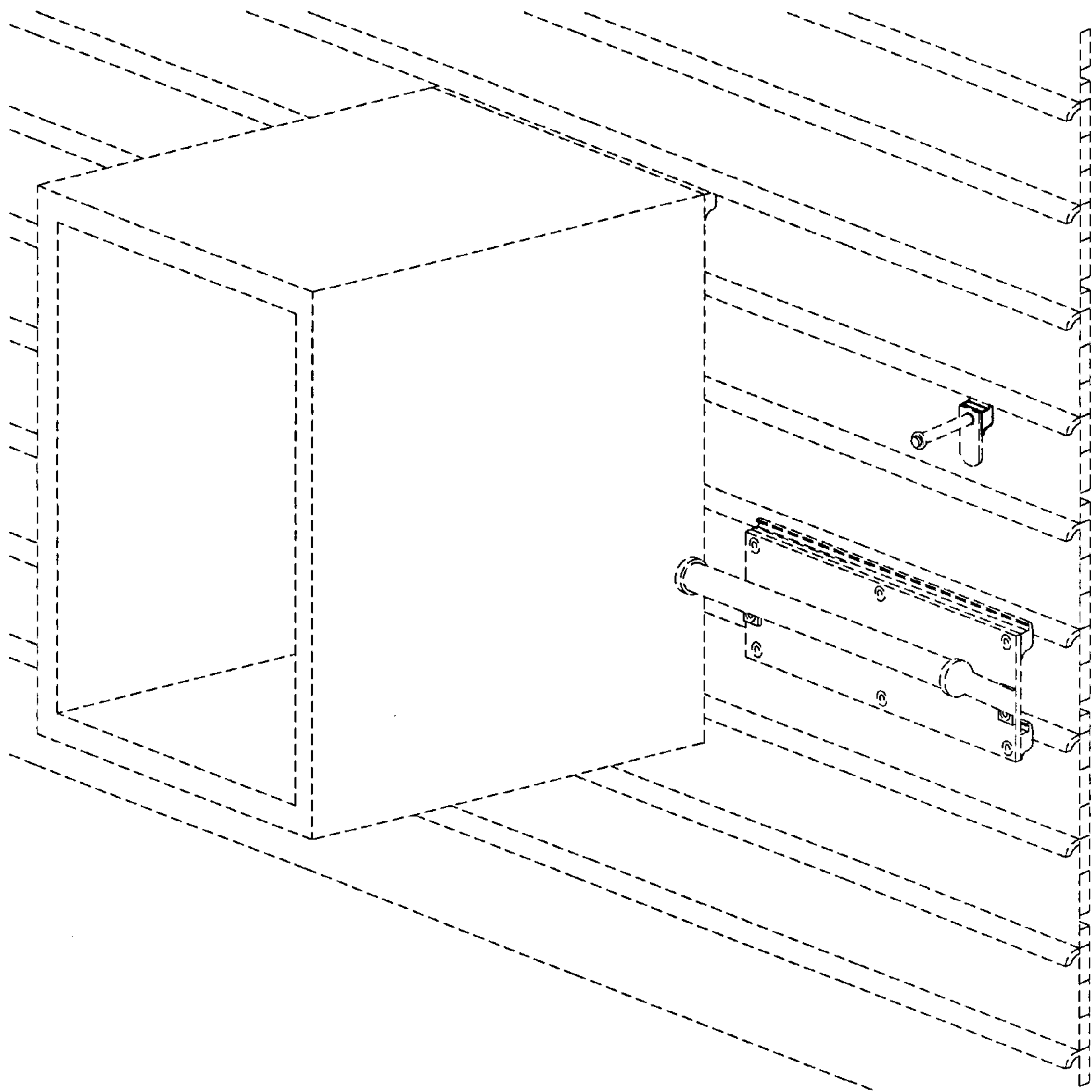


FIG. 9