



US00D556028S

(12) **United States Design Patent**
Rodder

(10) **Patent No.:** **US D556,028 S**

(45) **Date of Patent:** **** Nov. 27, 2007**

(54) **REVERSIBLE ASYMMETRIC HANGER FOR
SUSPENSION OF OBJECTS BY MEANS
INCLUDING WIRES, STRIPS AND LOOPS**

5,803,425 A 9/1998 McCoy, II
D401,838 S 12/1998 Beauchemin

(Continued)

(75) Inventor: **Mark S. Rodder**, Dallas, TX (US)

Primary Examiner—Holly H. Baynham

(73) Assignee: **Rodder Technologies, Inc.**, Dallas, TX
(US)

(74) *Attorney, Agent, or Firm*—Smith IP Services, P.C.

(**) Term: **14 Years**

(21) Appl. No.: **29/260,083**

(57) **CLAIM**

I claim the ornamental design for the reversible asymmetric hanger for suspension of objects by means including wires, strips and loops, as shown.

(22) Filed: **May 18, 2006**

DESCRIPTION

(51) **LOC (8) Cl.** **08-05**

FIG. 1 shows an isometric view of the new design for a hanger apparatus;

(52) **U.S. Cl.** **D8/373**

(58) **Field of Classification Search** D8/373,
D8/356, 366, 371; 248/339, 214–215, 493,
248/489

FIG. 2 shows a first side view of the new design;

FIG. 3 shows a second side view of the new design;

FIG. 4 shows a third side view of the new design;

FIG. 5 shows a top side view of the new design;

FIG. 6 shows a bottom side view of the new design;

See application file for complete search history.

FIG. 7 shows the first side view of the new design in use, with the third side adjacent a wall, and with multiple fasteners securing the hanger apparatus to the wall;

FIG. 8 shows the first side view of the new design in use, with the third side adjacent a wall, and with a single fastener securing the hanger apparatus to the wall;

FIG. 9 shows a fourth side view of the new design in use, with the second side adjacent a wall, and with multiple fasteners securing the hanger apparatus to the wall; and,

FIG. 10 shows the fourth side view of the new design in use, with the second side adjacent a wall, and with a single fastener securing the hanger apparatus to the wall.

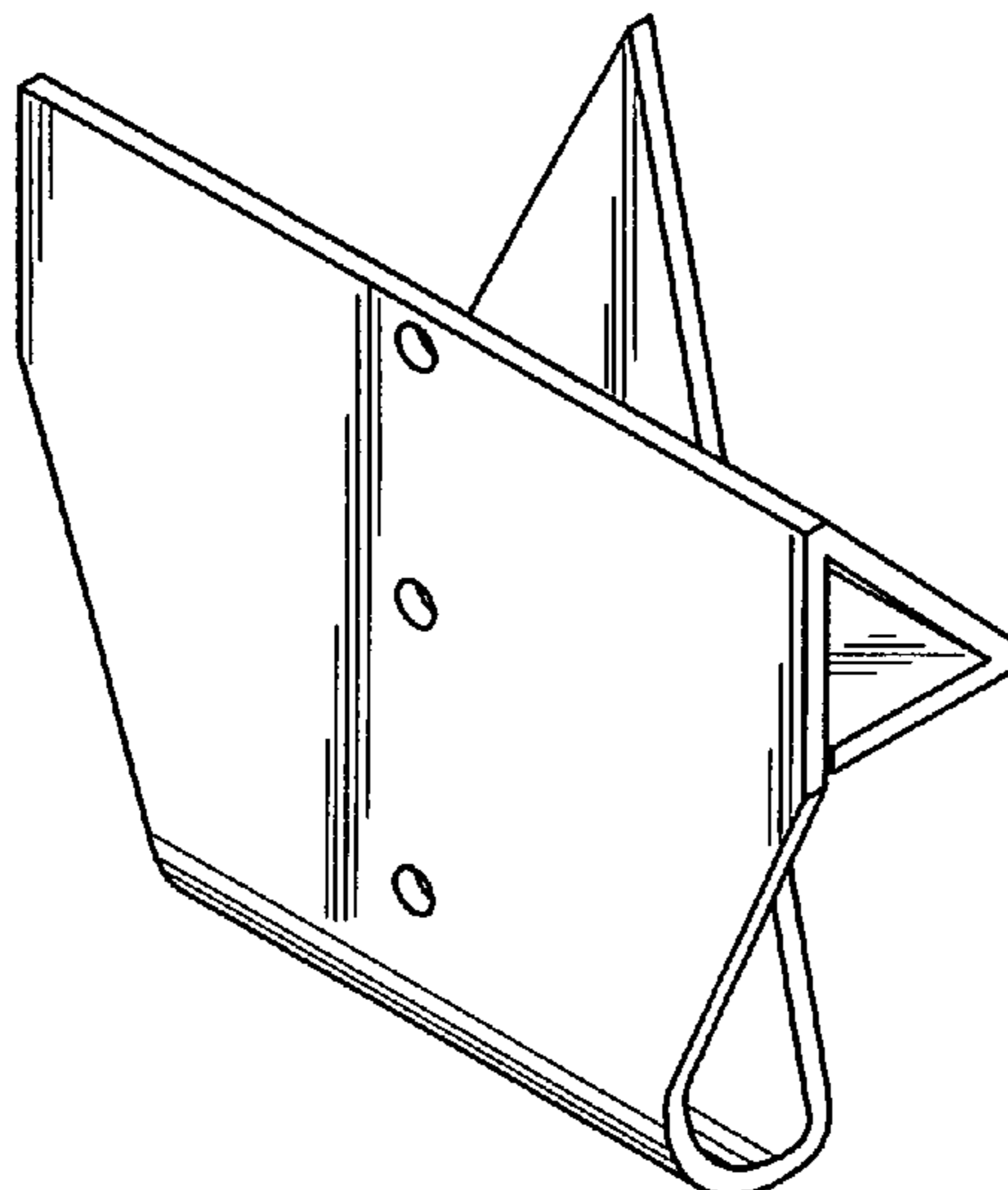
The broken line showing of a partial wall and bolts is included for the purpose of illustrating environment and forms no part of the claimed design.

(56) **References Cited**

U.S. PATENT DOCUMENTS

2,330,373 A	9/1943	Moore	
2,384,478 A	9/1945	Lapeyre	
3,063,669 A	11/1962	Bell	
3,253,813 A *	5/1966	Schwab	248/339
D240,015 S *	5/1976	Buckley	D8/371
D241,222 S *	8/1976	Edwards	D8/371
3,982,719 A	9/1976	Kilborne	
4,026,510 A	5/1977	Holmes	
D251,286 S	3/1979	Cook	
D252,975 S	9/1979	Yensh	
D281,144 S *	10/1985	Astolfi	D8/373
4,610,419 A	9/1986	Swanson	
D294,309 S	2/1988	Tegner	
D301,975 S *	7/1989	Mullen	D8/371
D326,603 S	6/1992	Rogers	
5,178,355 A	1/1993	Herzig	
5,328,140 A	7/1994	Wong	
5,482,244 A	1/1996	Hickey	
5,507,462 A	4/1996	Hickey	

1 Claim, 2 Drawing Sheets



US D556,028 S

Page 2

U.S. PATENT DOCUMENTS

D403,236 S	*	12/1998	McBarnette	D8/372	6,629,680 B2	10/2003	Weck et al.
D404,288 S	*	1/1999	Orser	D8/373	6,666,425 B1	12/2003	Ferguson
D422,892 S	*	4/2000	Donovan	D8/373	6,758,455 B2	7/2004	Weck et al.
D466,398 S		12/2002	DeLine		D515,404 S	2/2006	Hardina
D474,106 S		5/2003	Weck et al.				

* cited by examiner

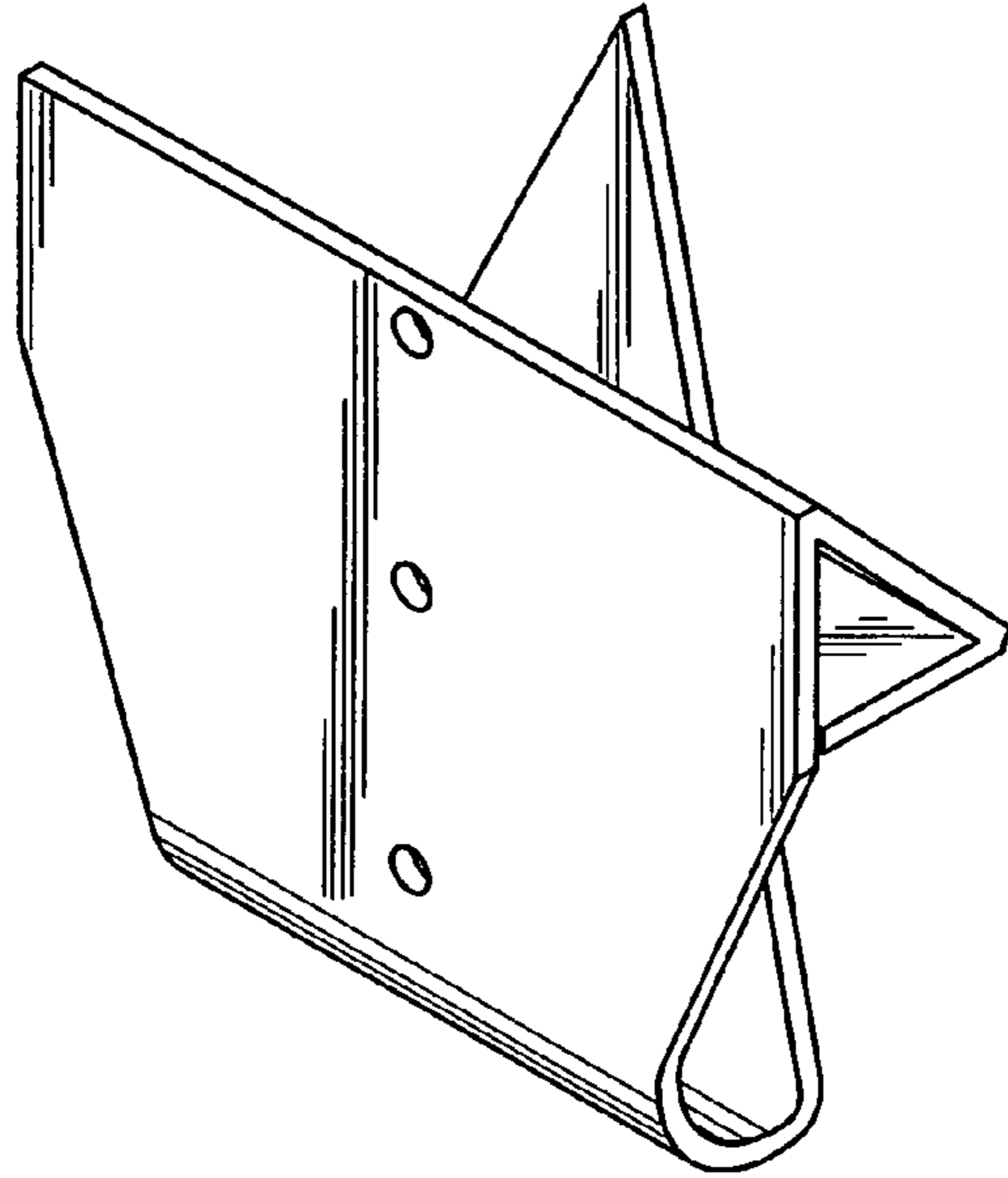


FIG. 1

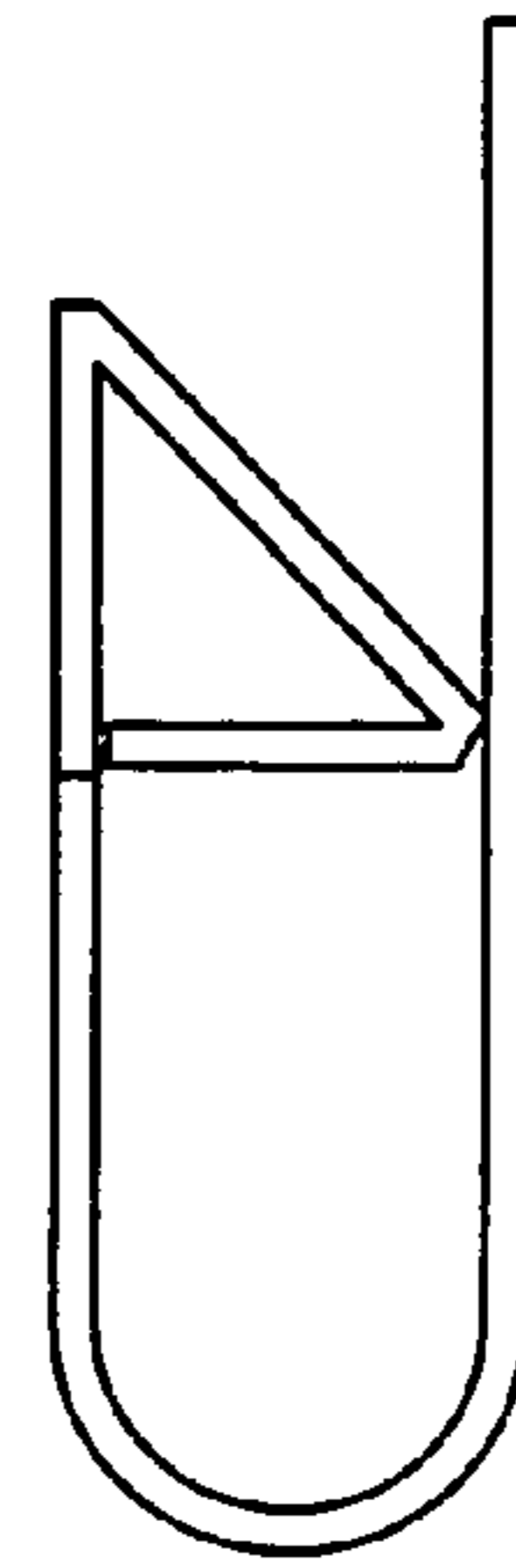


FIG. 2

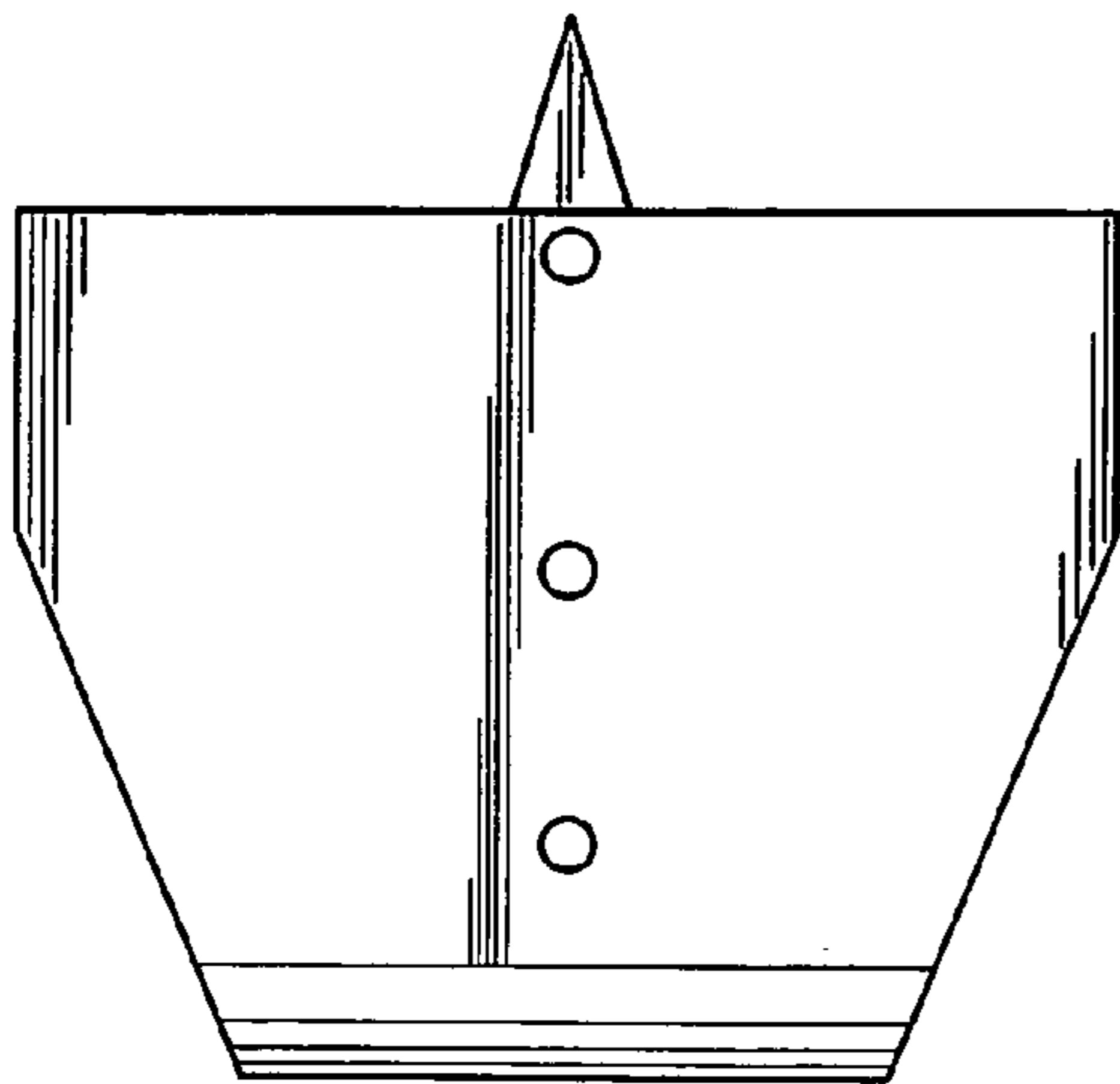


FIG. 3

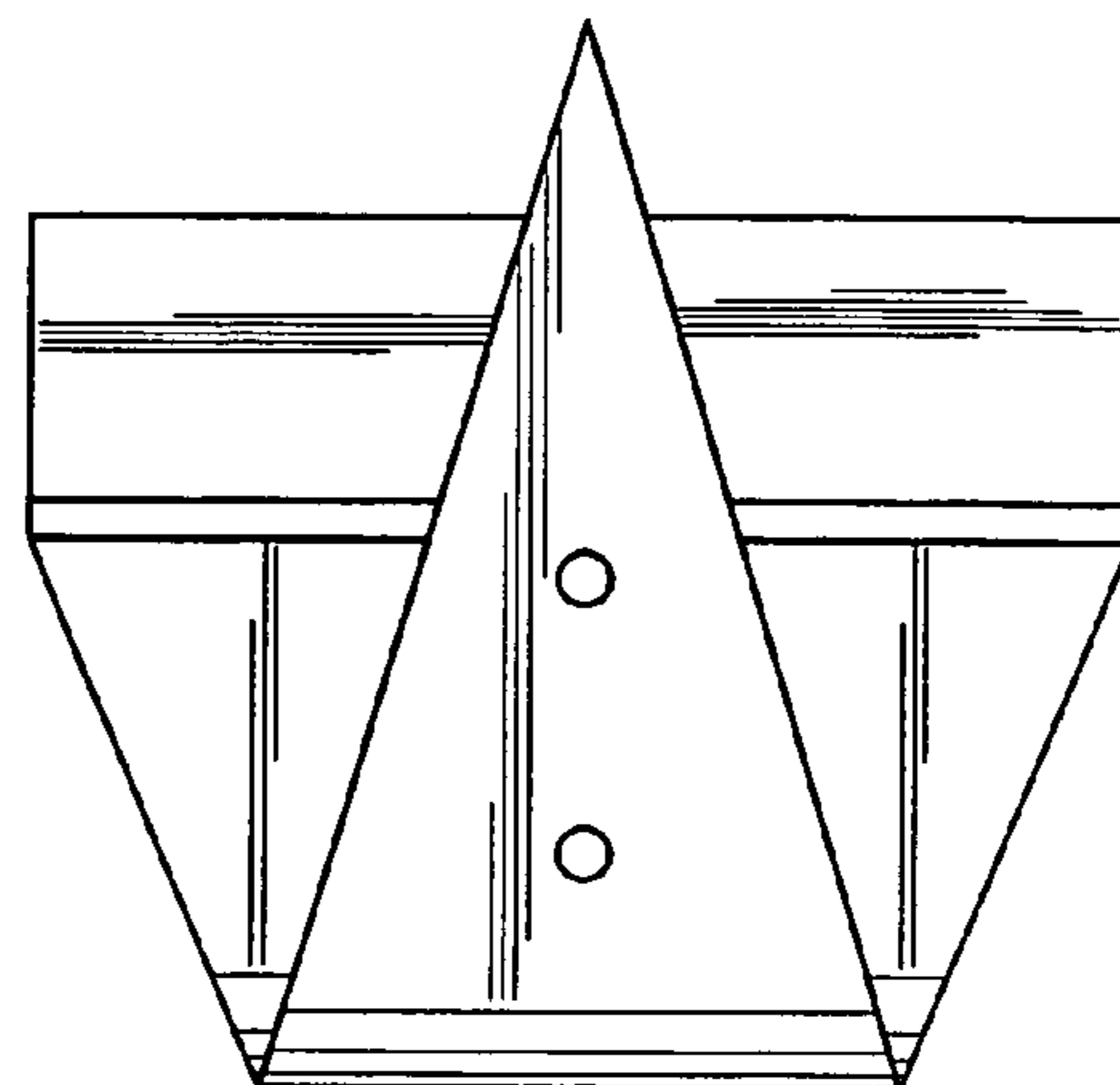


FIG. 4

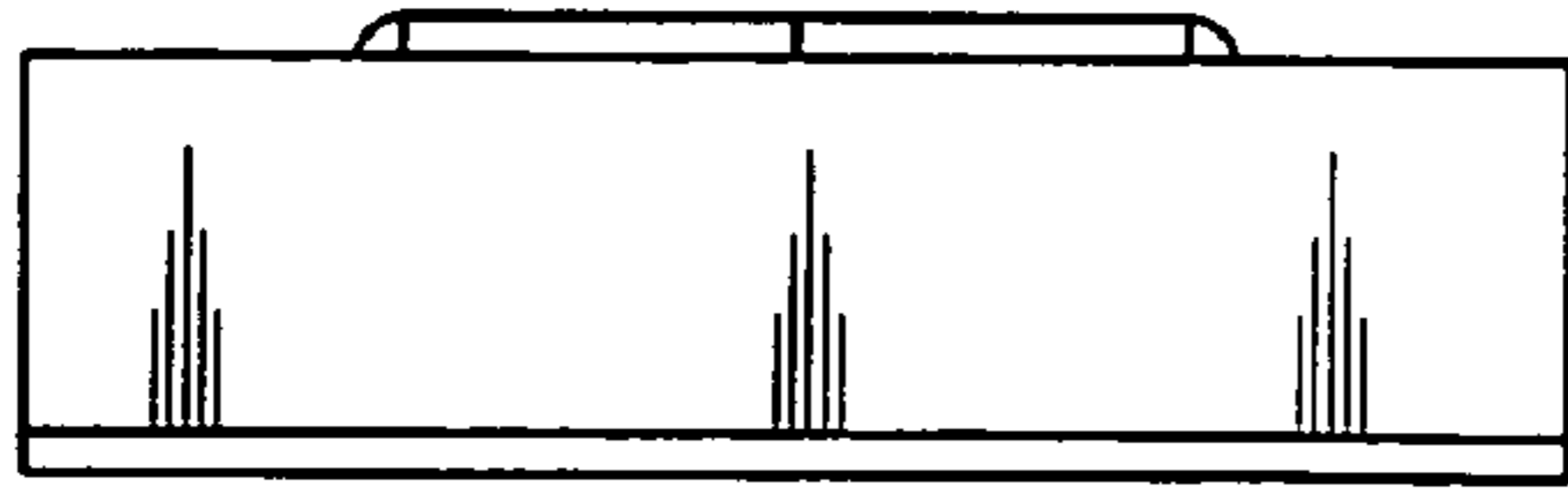


FIG. 5

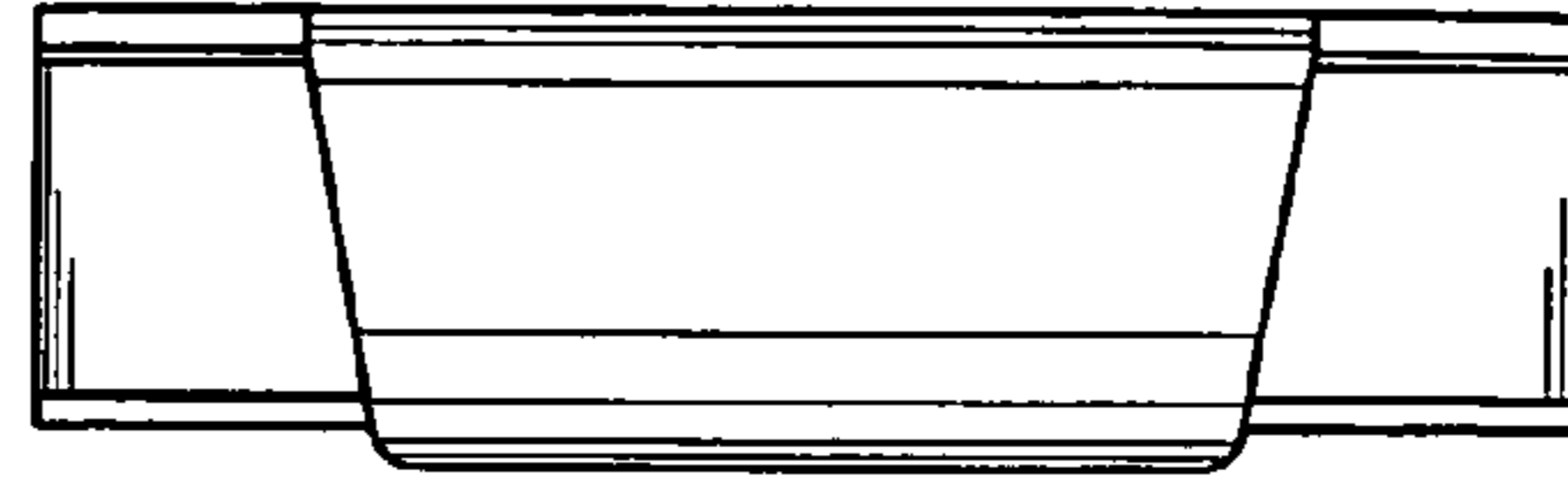


FIG. 6

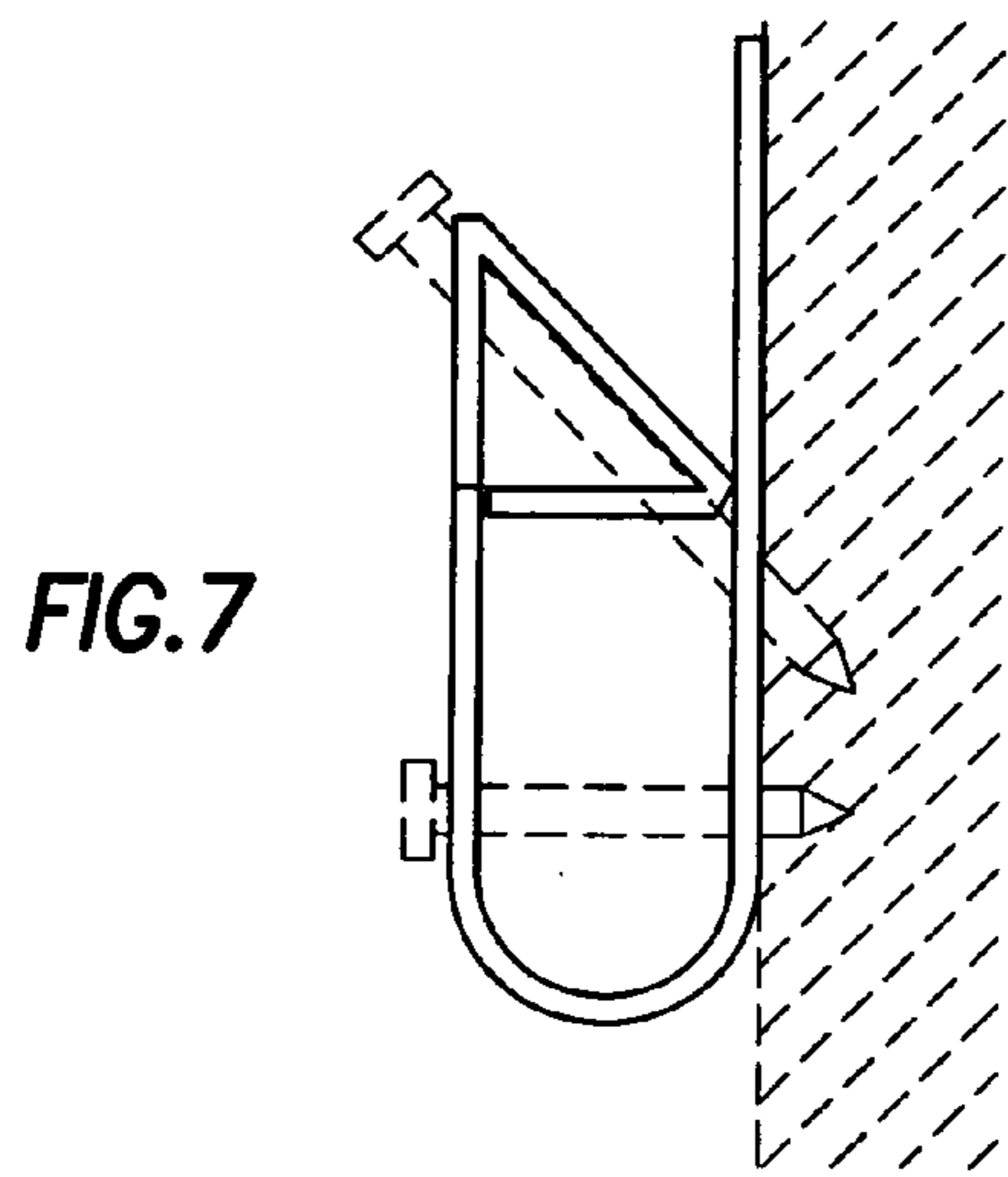


FIG. 7

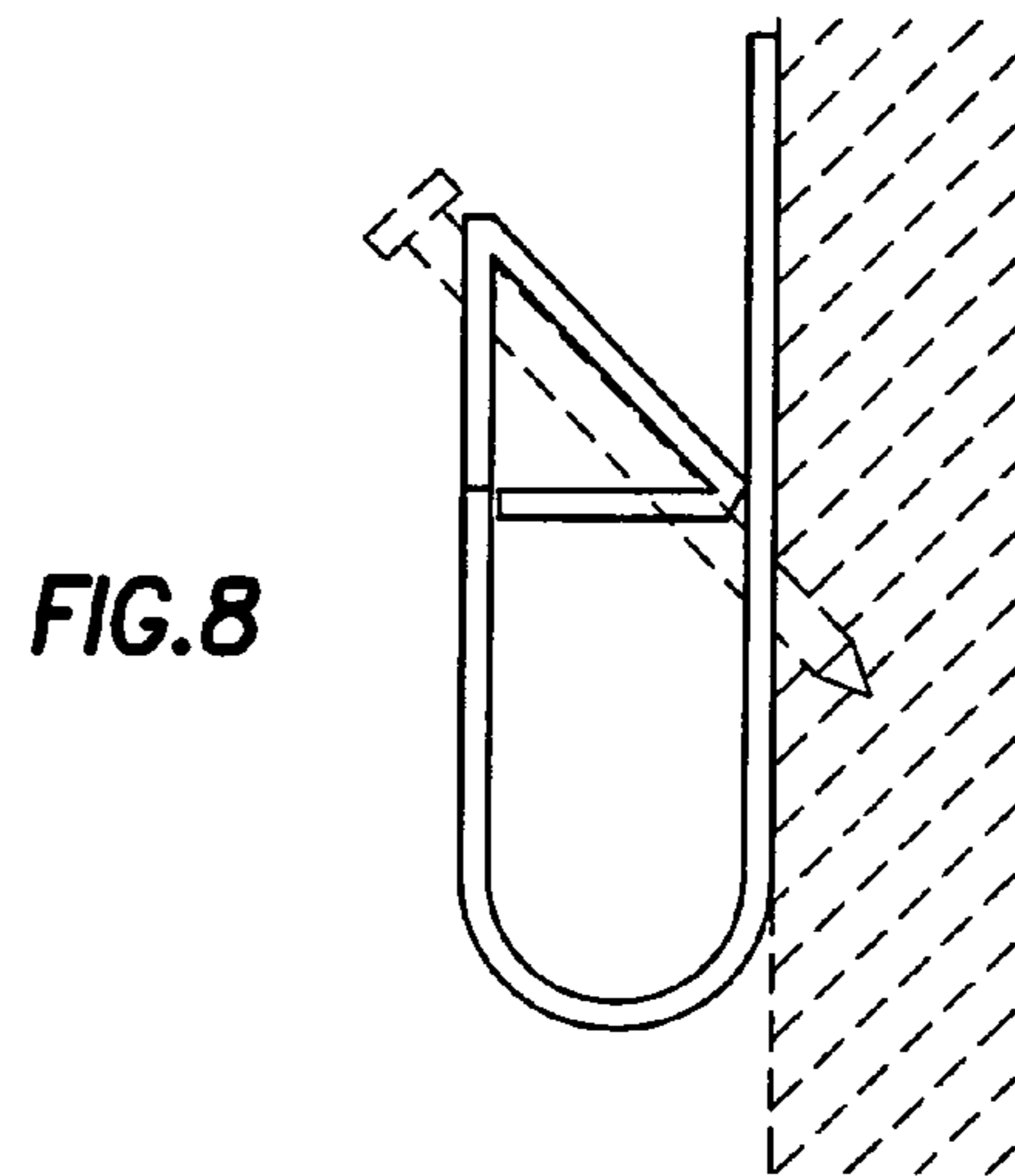


FIG. 8

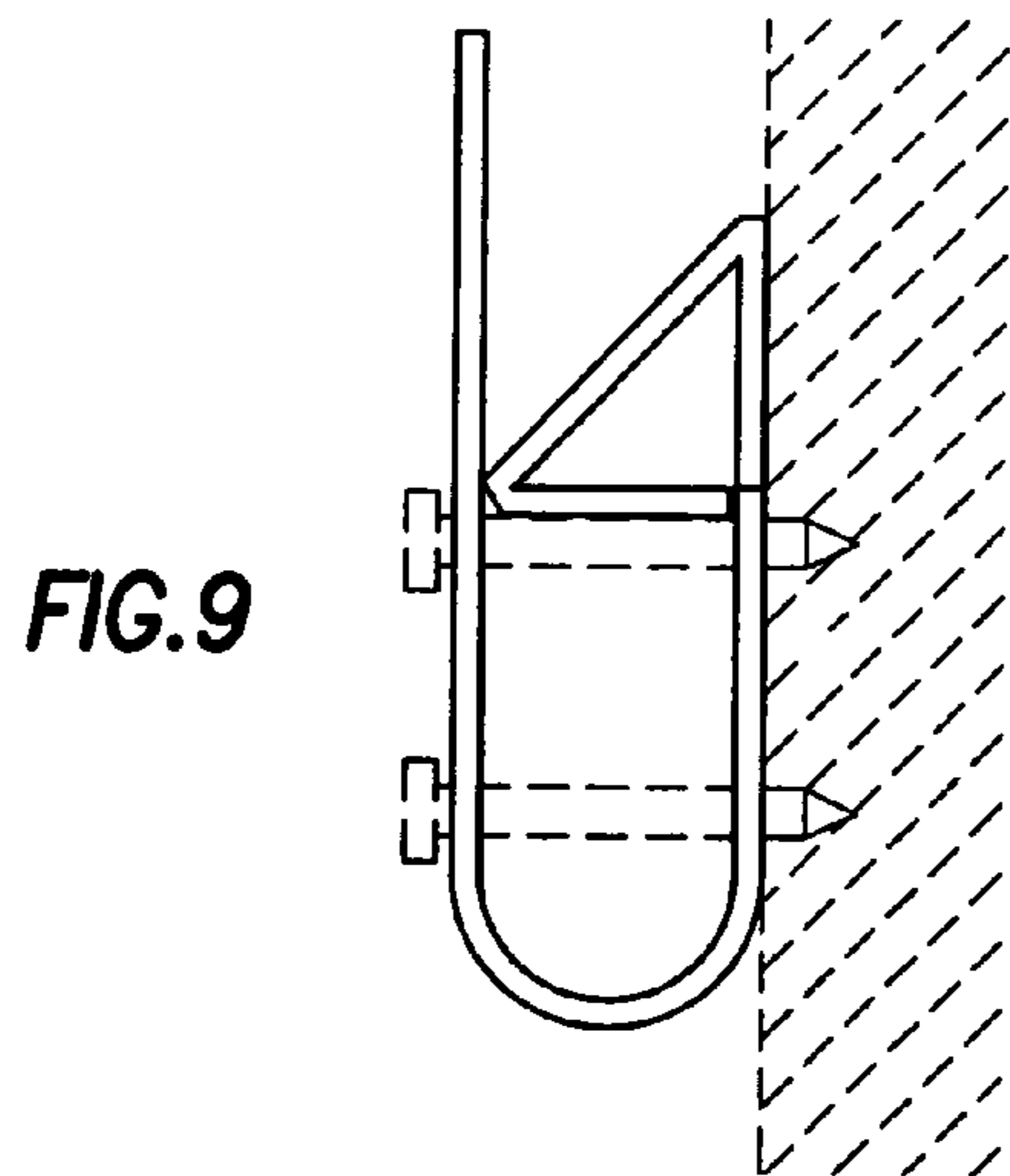


FIG. 9

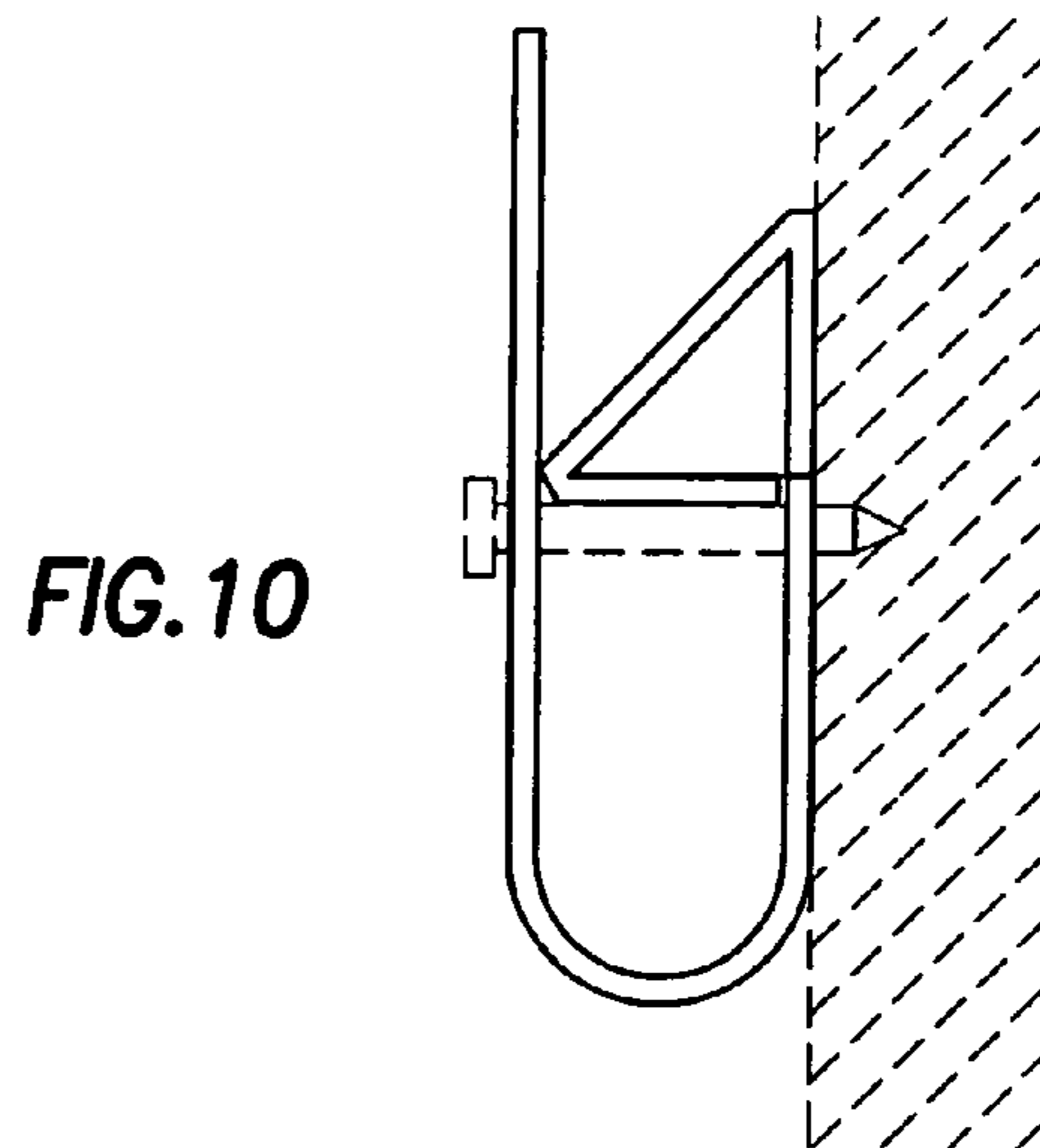


FIG. 10