



US00D556025S

(12) **United States Design Patent**
Kubota

(10) **Patent No.:** **US D556,025 S**

(45) **Date of Patent:** **** Nov. 27, 2007**

(54) **WALL HANGER**

(75) Inventor: **Harunobu Kubota**, Tokyo (JP)

(73) Assignee: **Sugatsune Kogyo Co., Ltd.**,
Chiyoda-ku (JP)

(**) Term: **14 Years**

(21) Appl. No.: **29/236,363**

(22) Filed: **Aug. 16, 2005**

(30) **Foreign Application Priority Data**

Feb. 23, 2005 (JP) 2005-004895

(51) **LOC (8) Cl.** **08-05**

(52) **U.S. Cl.** **D8/372; D8/373**

(58) **Field of Classification Search** D8/367,
D8/372; D6/553; 248/301, 304, 214-215,
248/220.41, 220.42, 220.43

See application file for complete search history.

(56) **References Cited**

U.S. PATENT DOCUMENTS

- 3,484,069 A * 12/1969 Larson 248/220.42
- D312,385 S * 11/1990 Hamann D8/367
- D466,796 S * 12/2002 Lacey D8/372
- D472,134 S * 3/2003 Goodman et al. D8/372
- D485,157 S * 1/2004 Rodrigue D8/372
- D489,252 S * 5/2004 Cheng D8/372

- D494,048 S * 8/2004 Goodman et al. D8/372
- D498,135 S * 11/2004 Rodrigue D8/372
- D498,963 S * 11/2004 Sung-Feng D6/553
- D502,865 S * 3/2005 Anderson et al. D8/372

* cited by examiner

Primary Examiner—Holly H. Baynham

(74) *Attorney, Agent, or Firm*—Bacon & Thomas, PLLC

(57) **CLAIM**

The ornamental design for a hanger in a wall fixing type, as shown and described.

DESCRIPTION

FIG. 1 is a front view of a hanger in a wall fixing type embodying my new design;

FIG. 2 is a left side view thereof;

FIG. 3 is a rear view thereof;

FIG. 4 is a plan view thereof;

FIG. 5 is a bottom view thereof;

FIG. 6 is an environmental perspective view thereof; and,

FIG. 7 is a reduced scale environmental perspective view.

The broken line showing of partial structure and a hook is included for the purpose of illustrating environment and forms no part of the claimed design.

1 Claim, 3 Drawing Sheets

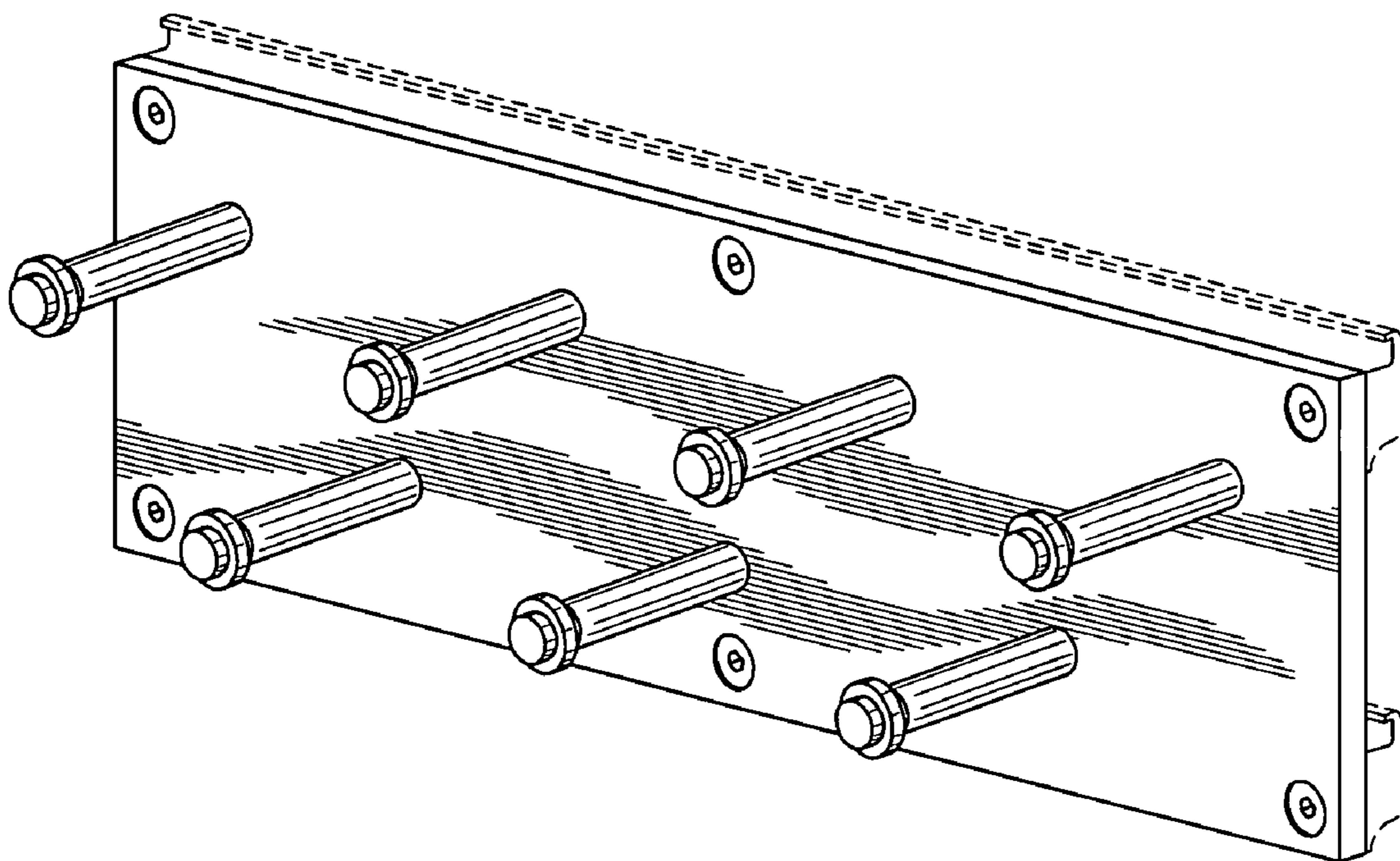


FIG. 1

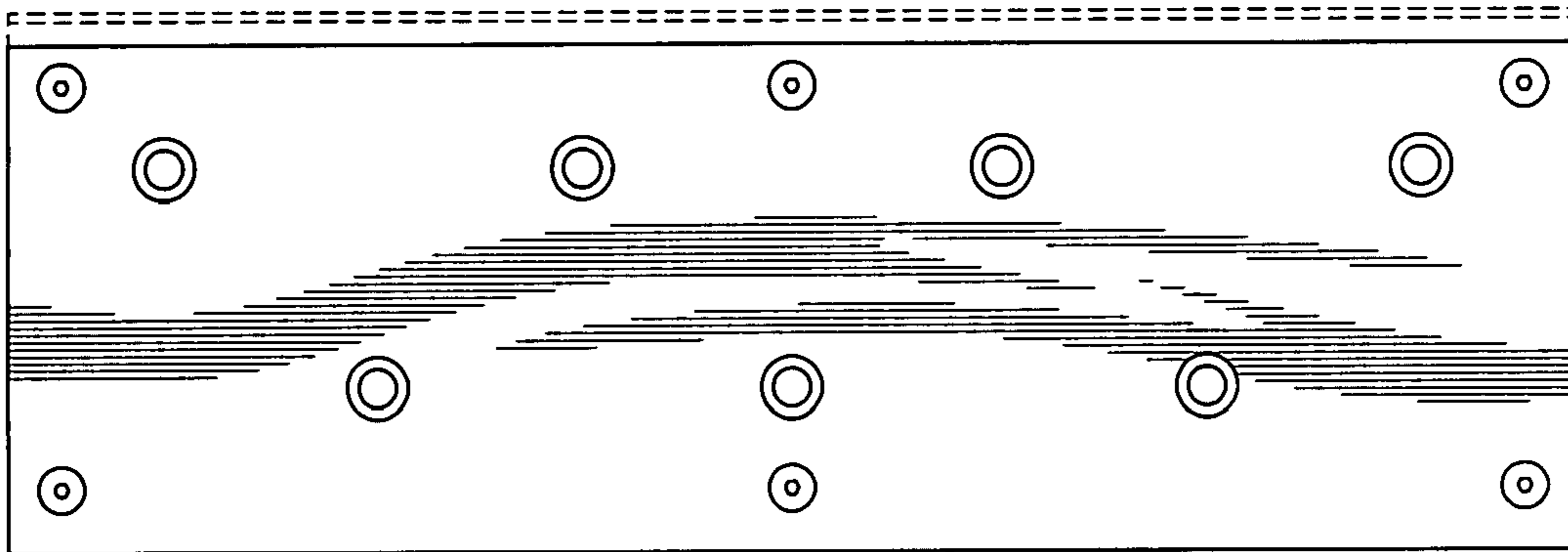


FIG. 2

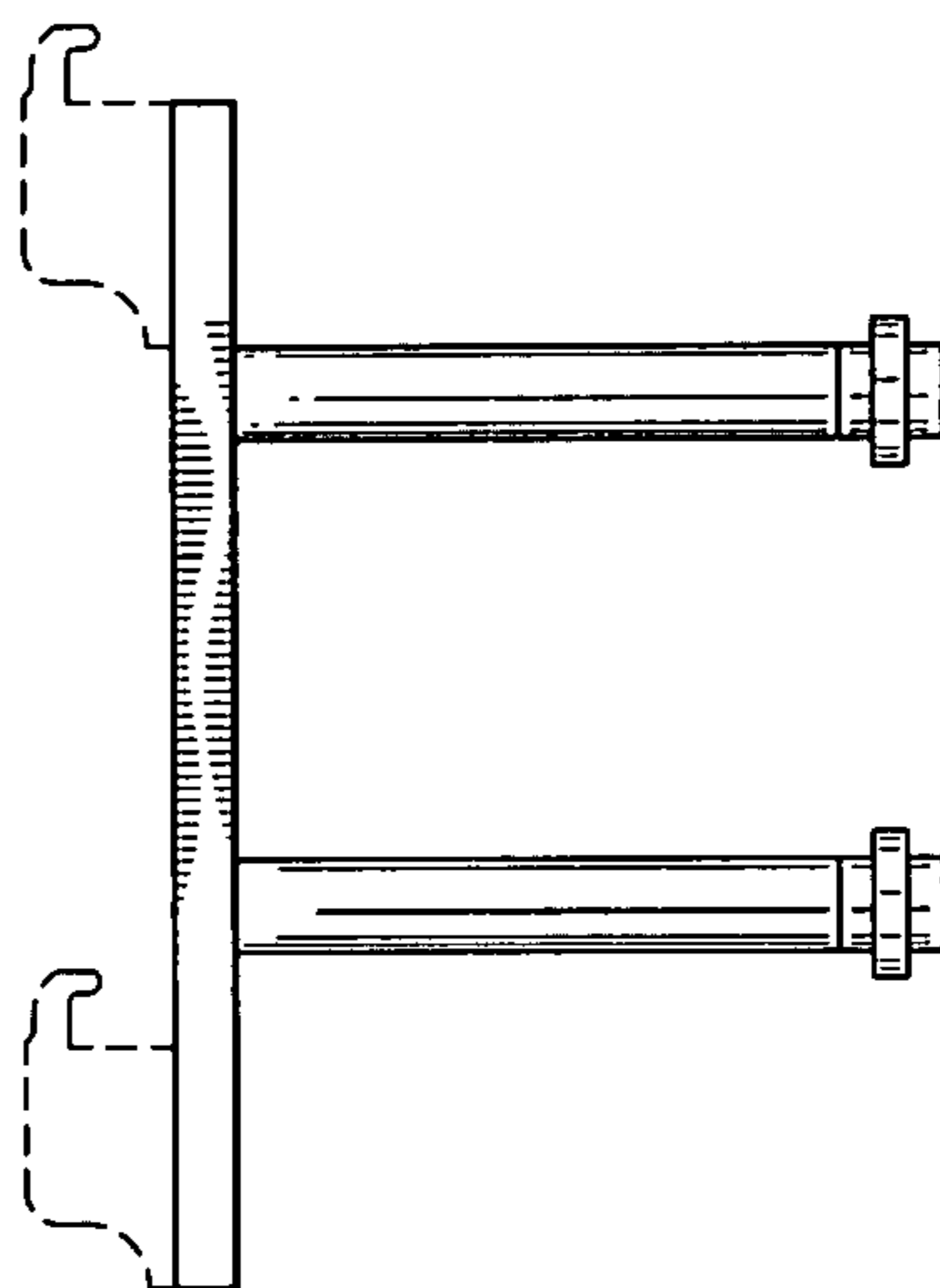


FIG. 3

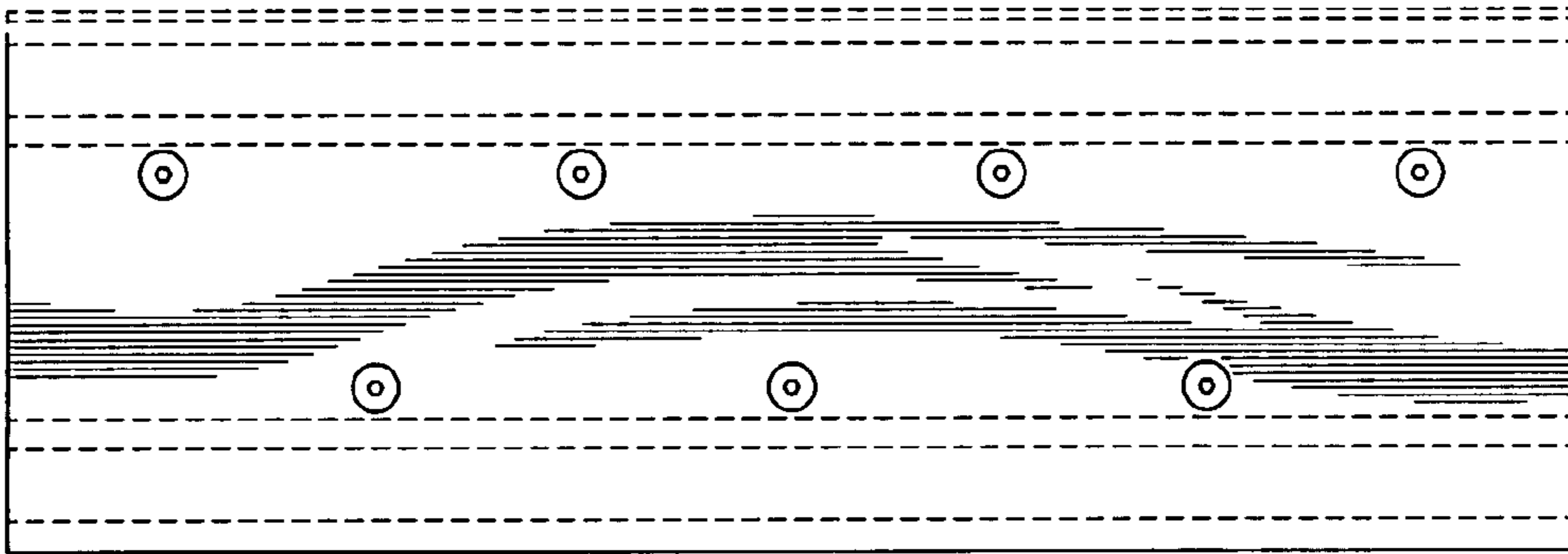


FIG. 4

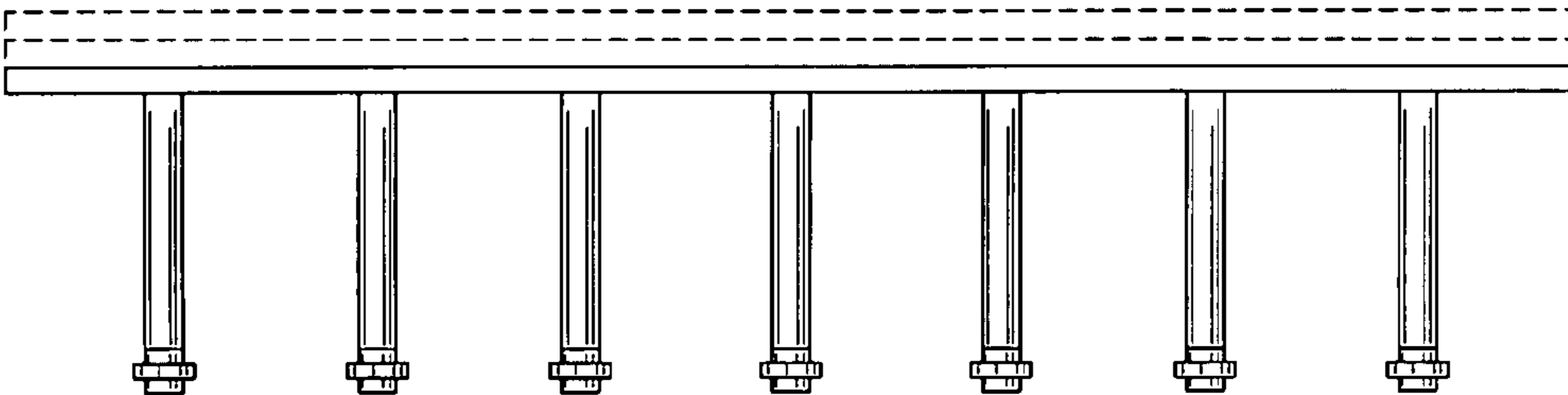


FIG. 5

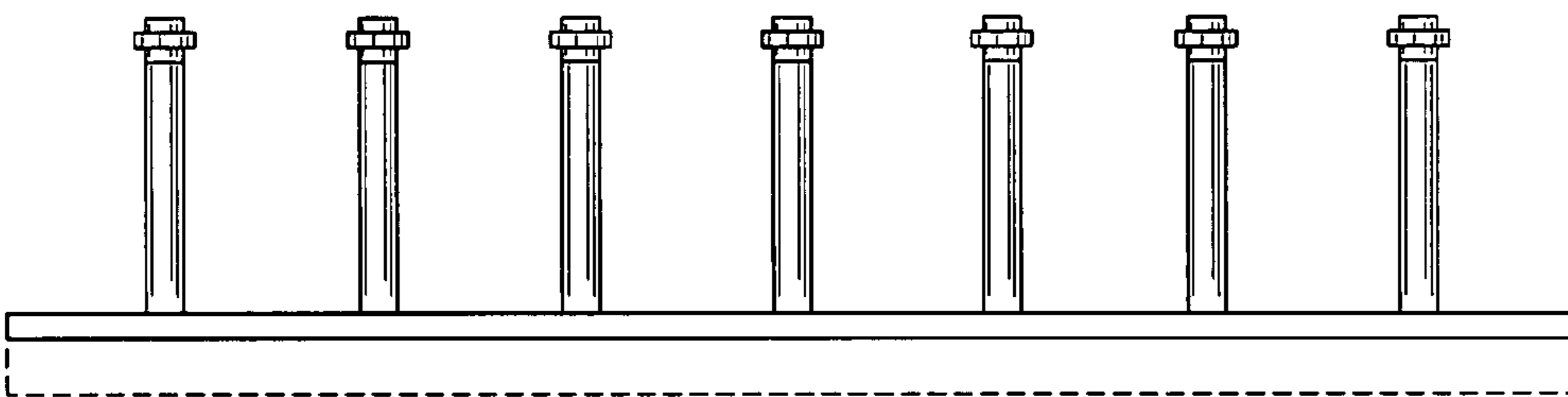


FIG. 6

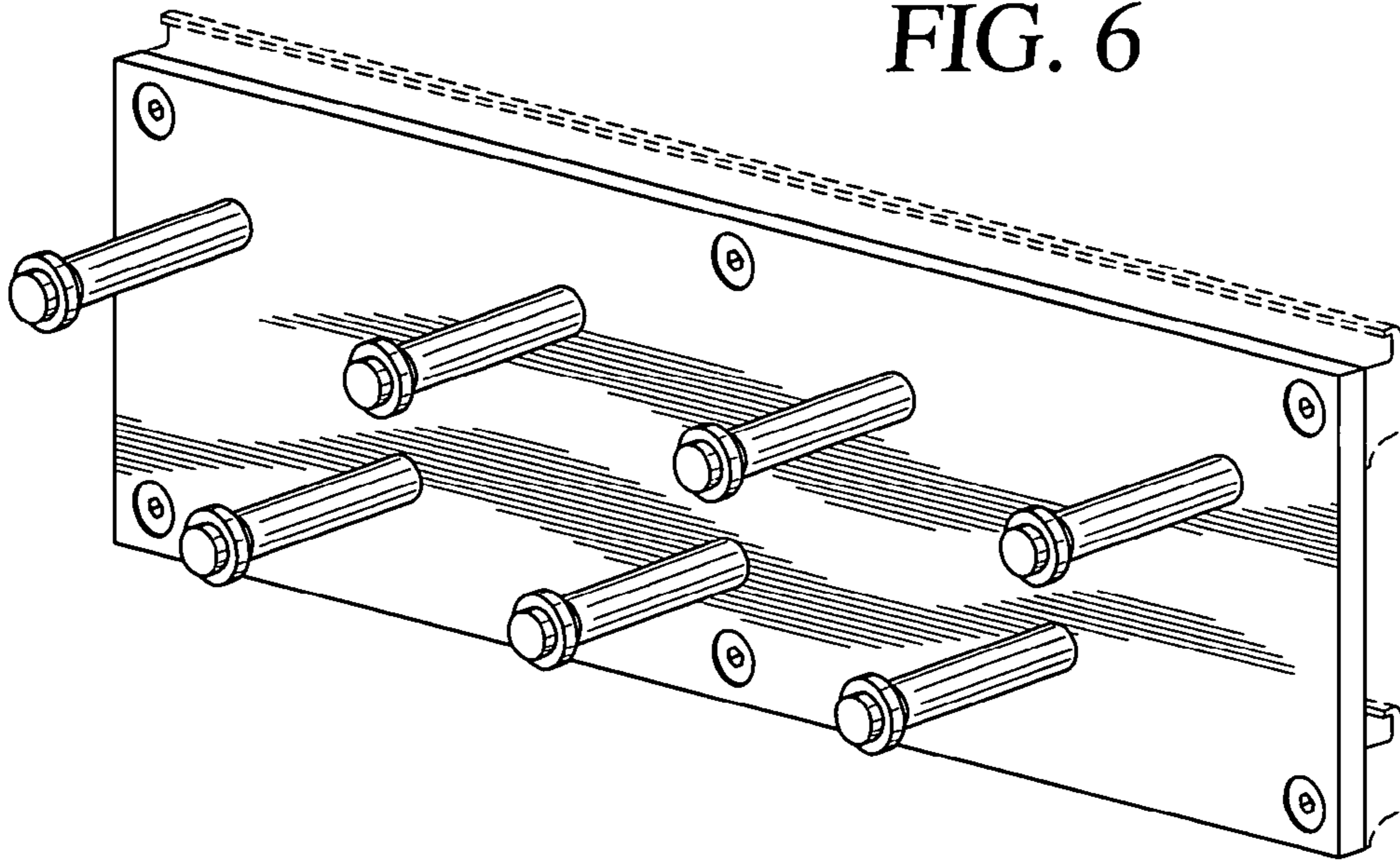


FIG. 7

