



US00D556022S

(12) **United States Design Patent**
Henry

(10) **Patent No.:** **US D556,022 S**

(45) **Date of Patent:** **** Nov. 27, 2007**

(54) **CABLE SPOOL SUPPORT FRAME**

(76) Inventor: **Michael L. Henry**, P.O. Box 3631,
Bakersfield, CA (US) 93385

(**) Term: **14 Years**

(21) Appl. No.: **29/268,854**

(22) Filed: **Nov. 13, 2006**

(51) **LOC (8) Cl.** **08-05**

(52) **U.S. Cl.** **D8/356**

(58) **Field of Classification Search** D8/367,
D8/360.1, 359, 358, 356, 1; D30/154; D3/24;
D23/284, 271; D13/154, 153, 137.4; 439/501,
439/4; 248/90, 89, 87, 85, 80, 76, 75, 176.1,
248/175; 242/405, 405.3, 405.1, 398, 395,
242/388.5, 385.3, 379, 379.2, 378.1

See application file for complete search history.

(56) **References Cited**

U.S. PATENT DOCUMENTS

D207,723	S	*	5/1967	Kane	D8/356
4,009,754	A	*	3/1977	Cullen et al.	166/77.1
D286,493	S	*	11/1986	Floyd	D8/358
5,692,701	A	*	12/1997	Holliday	242/598.5
D390,095	S	*	2/1998	Spear et al.	D8/359
5,806,787	A	*	9/1998	Schneider	242/598.5

6,299,100 B1 * 10/2001 Cloud 242/598.5

* cited by examiner

Primary Examiner—Gary D. Watson

Assistant Examiner—Susan Bennett Hattan

(74) *Attorney, Agent, or Firm*—Dennis W. Beech

(57) **CLAIM**

The ornamental design for a cable spool support frame, as shown and described.

DESCRIPTION

FIG. 1 is a front elevation view of the cable spool support frame showing my new design;

FIG. 2 is a first side elevation view of the invention thereof;

FIG. 3 is a second side elevation view thereof;

FIG. 4 is a rear elevation view thereof;

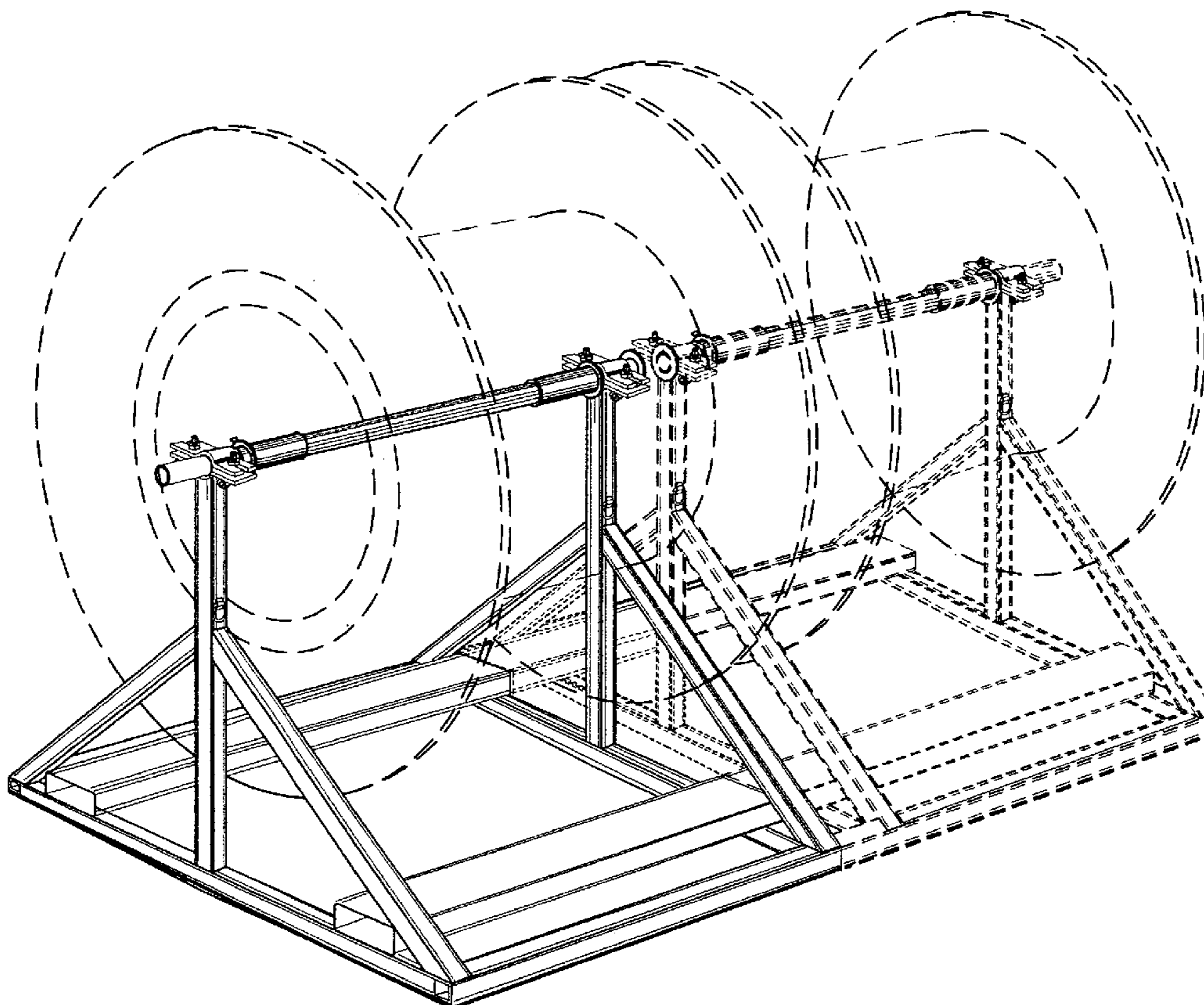
FIG. 5 is a top plan view thereof;

FIG. 6 is a bottom plan view thereof; and,

FIG. 7 is a perspective view of two attached cable spool support frames showing my new design.

The broken line showing of a second cable spool support and the cable spools of FIG. 7 shows environmental subject matter and forms no part of the claimed design.

1 Claim, 3 Drawing Sheets



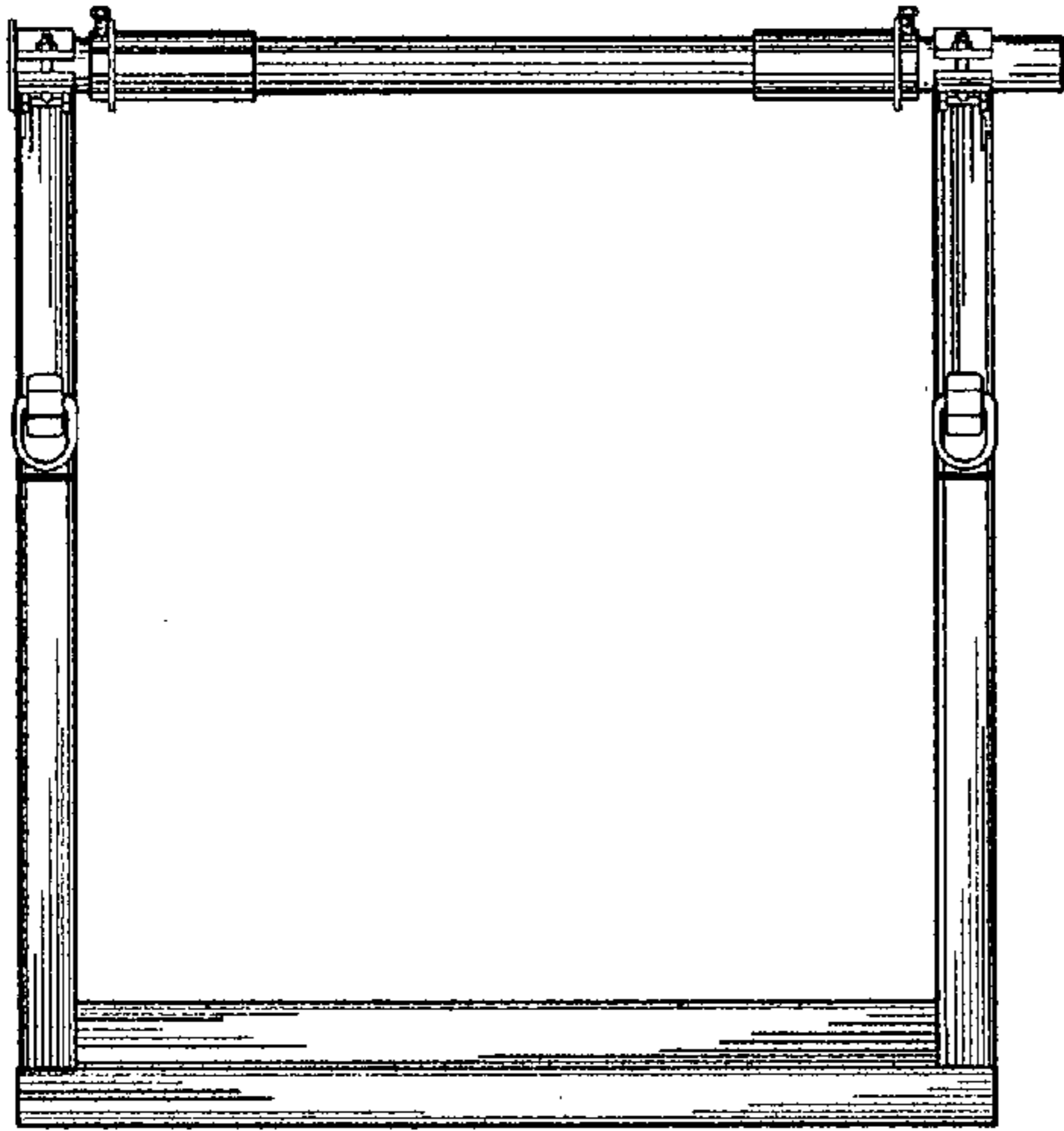


FIG. 1

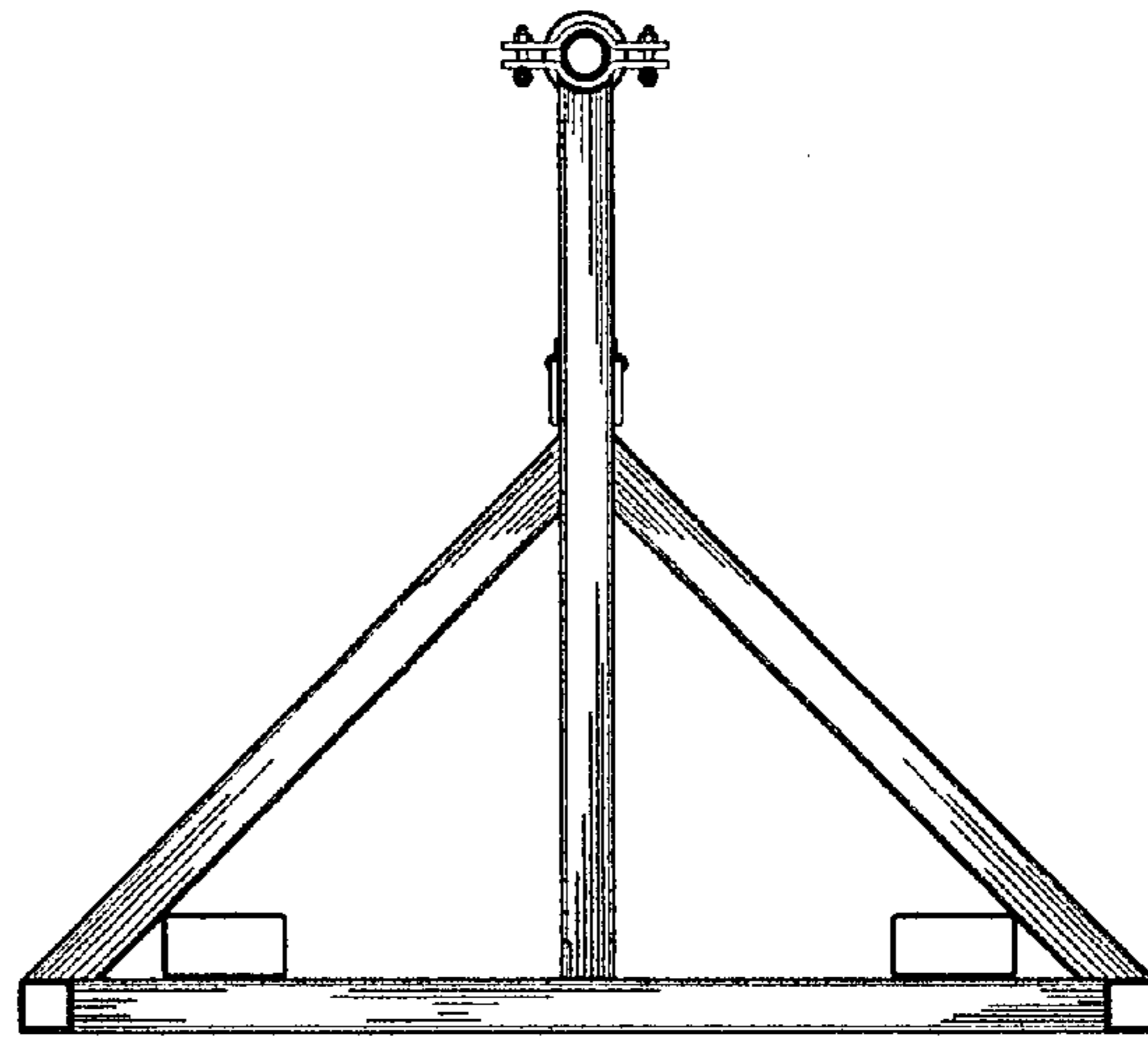


FIG. 2

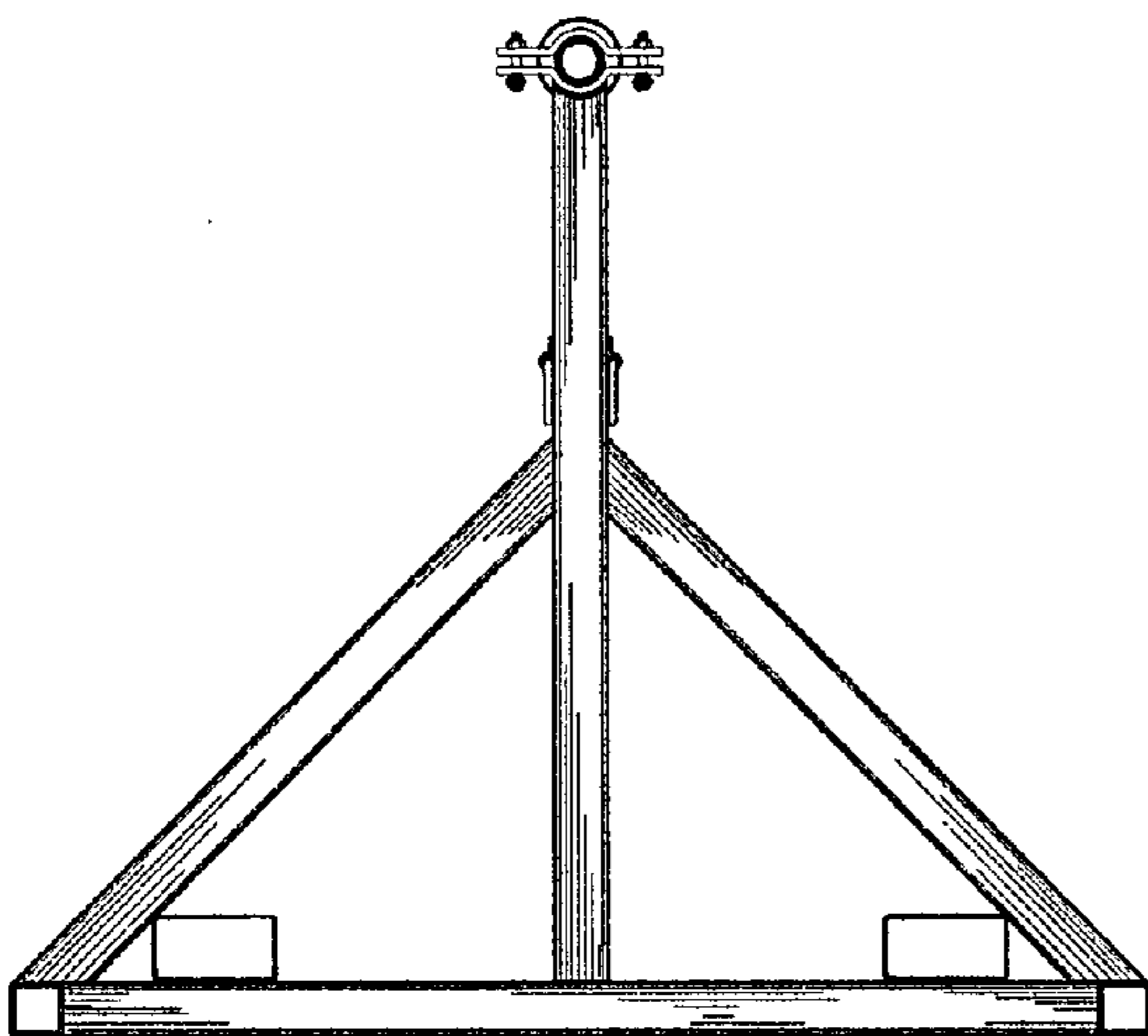


FIG. 3

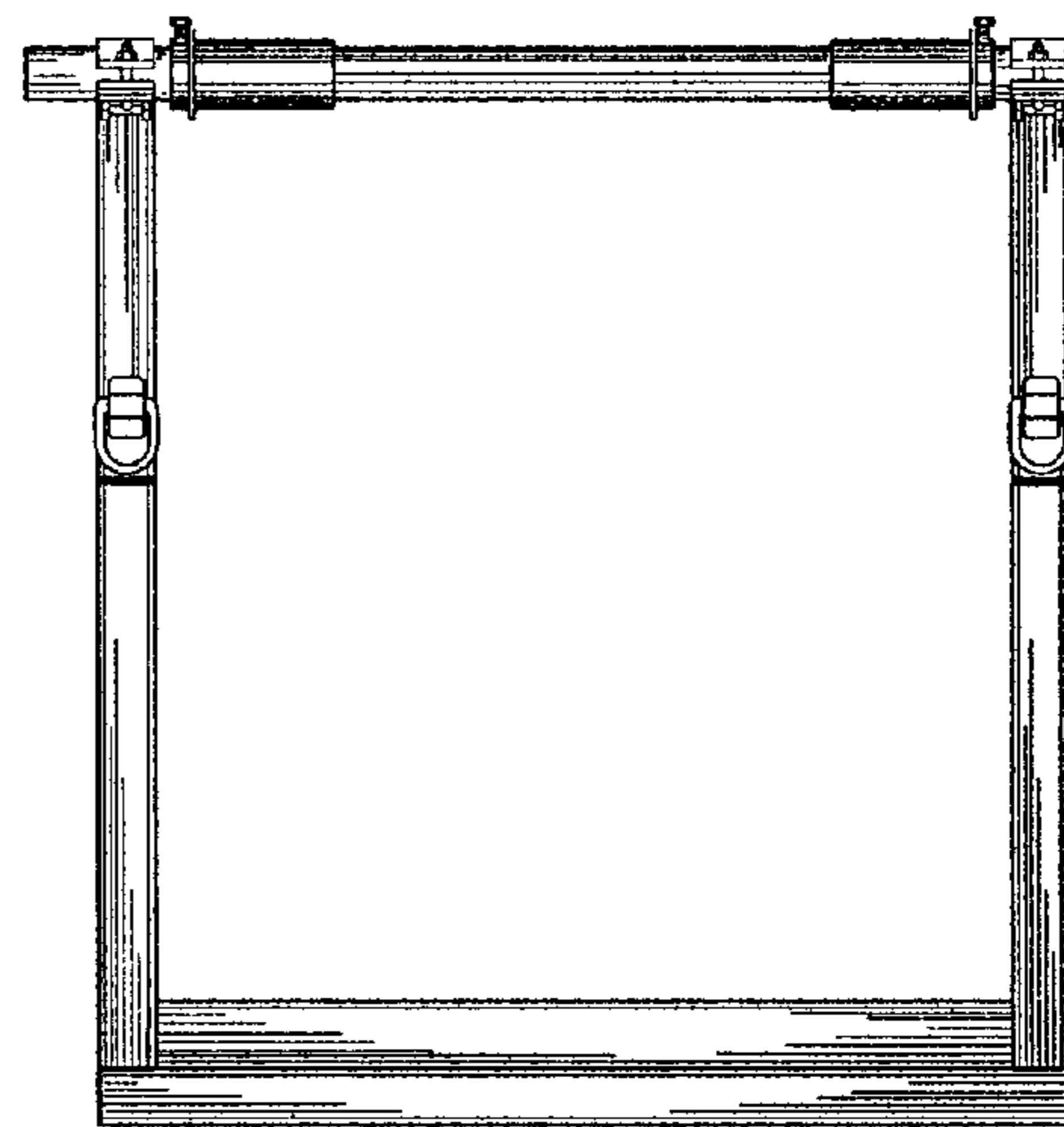


FIG. 4

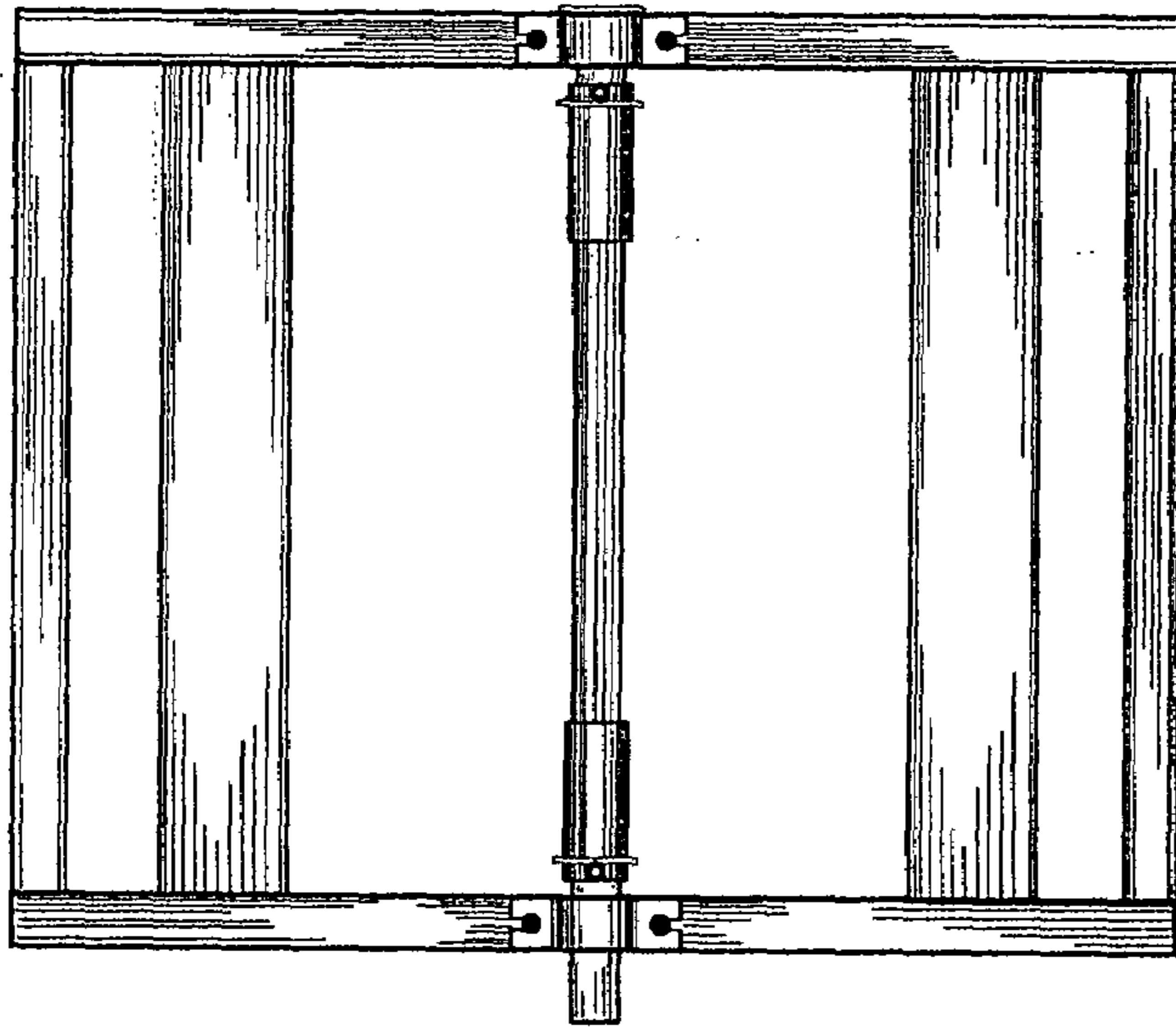


FIG. 5

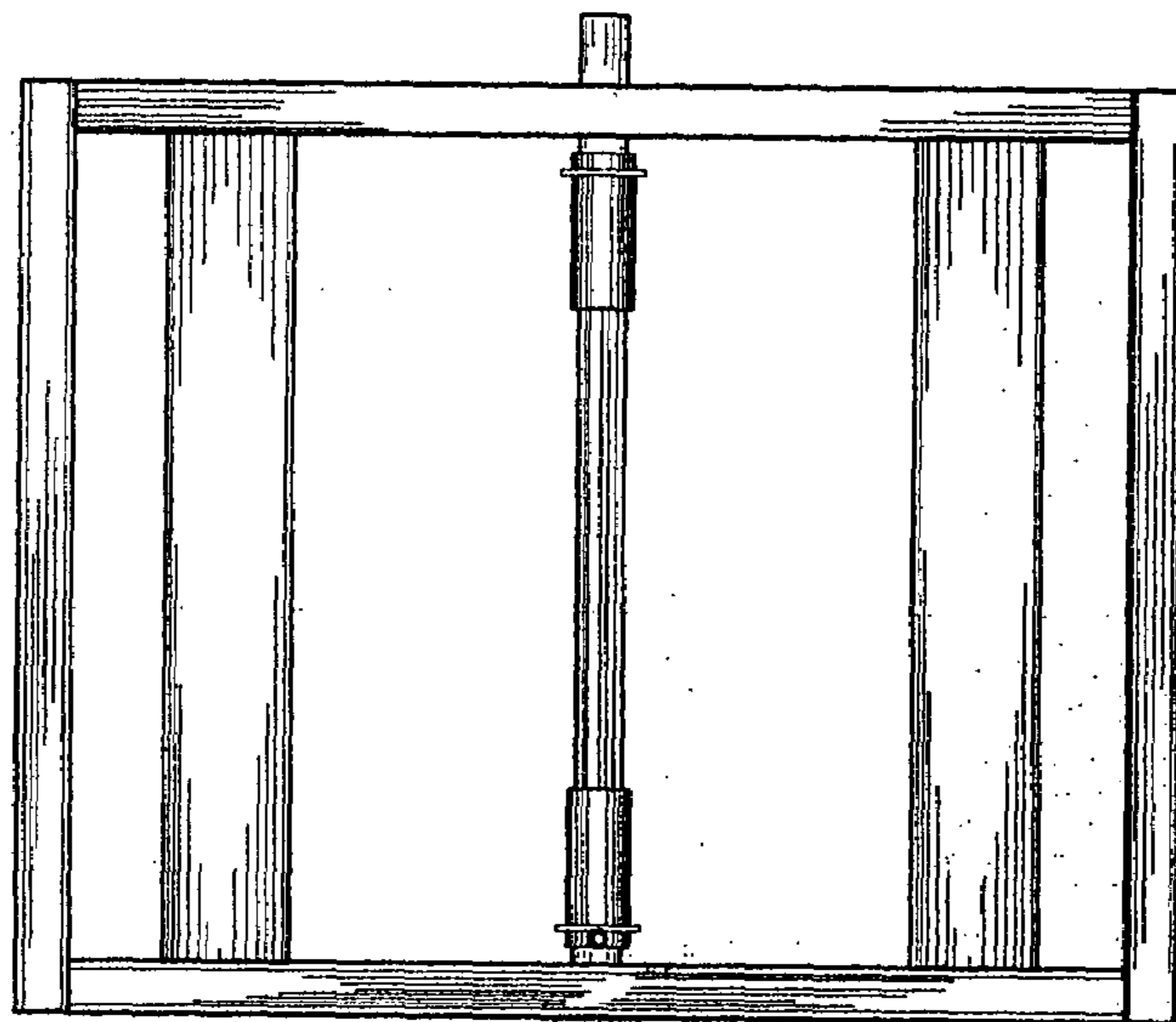


FIG. 6

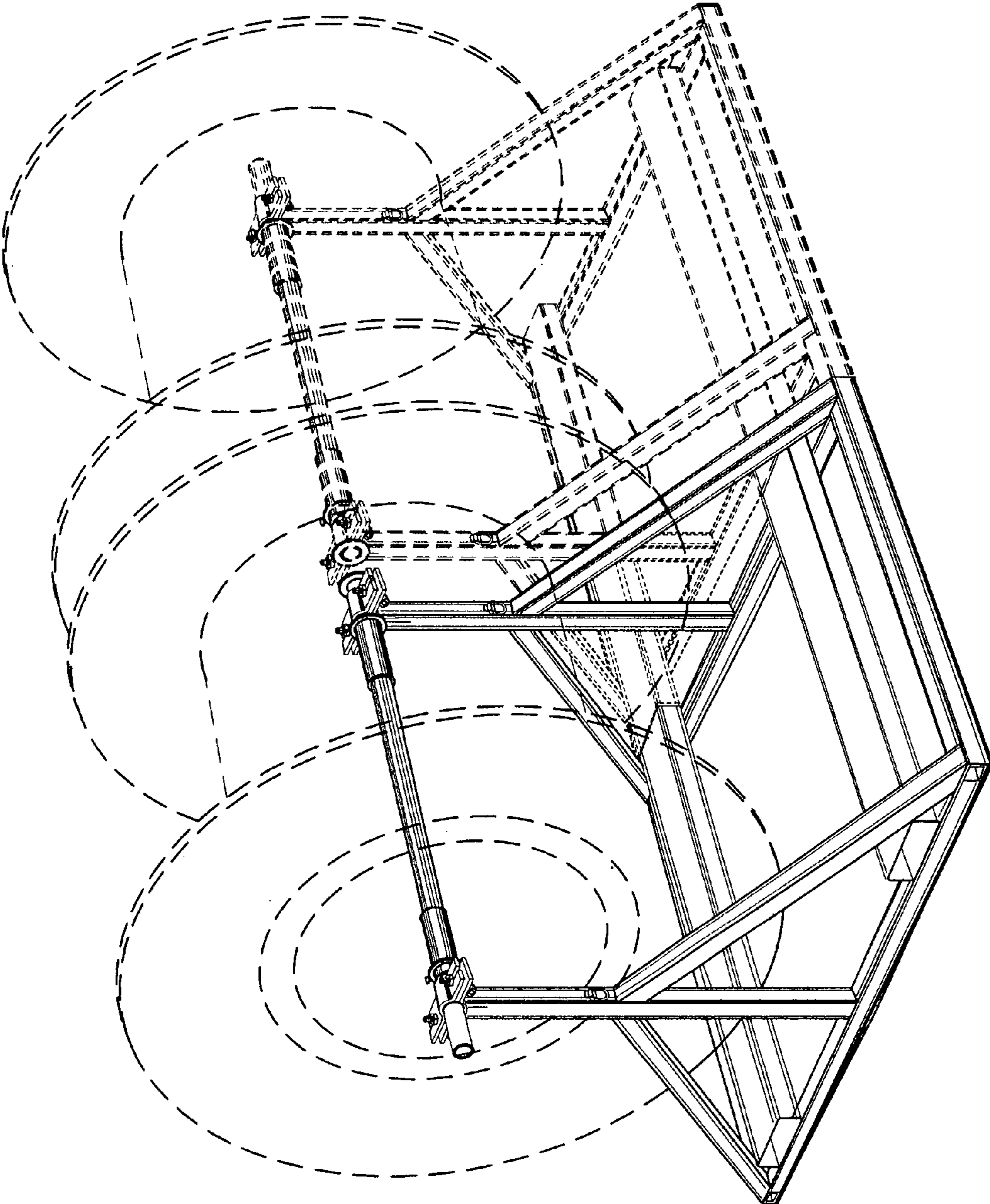


FIG. 7