



US00D556021S

(12) **United States Design Patent**
Sexton

(10) **Patent No.:** **US D556,021 S**

(45) **Date of Patent:** **** Nov. 27, 2007**

(54) **SWIMMING POOL VACUUM HOSE
RETAINER**

(76) Inventor: **Wendell Sexton**, 13914 Santa Fe Ct.,
Bakersfield, CA (US) 93112

(**) Term: **14 Years**

(21) Appl. No.: **29/254,367**

(22) Filed: **Feb. 21, 2006**

(51) **LOC (8) Cl.** **08-05**

(52) **U.S. Cl.** **D8/356**

(58) **Field of Classification Search** D8/367,
D8/360.1, 359, 358, 356, 1, 372; D30/154;
D3/24; D23/284, 271; D13/154, 153, 137.4;
439/501, 4; 248/90, 89, 87, 85, 80, 76, 75,
248/176.1, 175, 73, 58, 65, 49; 242/405,
242/405.3, 405.1, 398, 395, 388.5, 385.3,
242/379, 379.2, 378.1, 377, 376.1, 157 R;
239/283, 276, 275, 273; 191/12.2 R; 137/355.26,
137/355.16

See application file for complete search history.

(56) **References Cited**

U.S. PATENT DOCUMENTS

799,092 A * 9/1905 Rosenfeld 248/73
2,285,632 A * 6/1942 Urbain 248/73

D247,216 S * 2/1978 Mathews D8/356
D466,796 S * 12/2002 Lacey D8/372
6,565,048 B1 * 5/2003 Meyer 248/58
D535,550 S * 1/2007 Silberman D8/356
2001/0002689 A1 * 6/2001 Shelton et al. 248/65
2004/0113024 A1 * 6/2004 Caveney et al. 248/49

* cited by examiner

Primary Examiner—Gary D. Watson

Assistant Examiner—Susan Bennett Hattan

(74) *Attorney, Agent, or Firm*—James M. Duncan; Klein,
DeNatale, Goldner, et al.

(57) **CLAIM**

The ornamental design for a swimming pool vacuum hose
retainer, as shown and described.

DESCRIPTION

FIG. 1 is a perspective view of the swimming pool vacuum
hose retainer showing my new design;

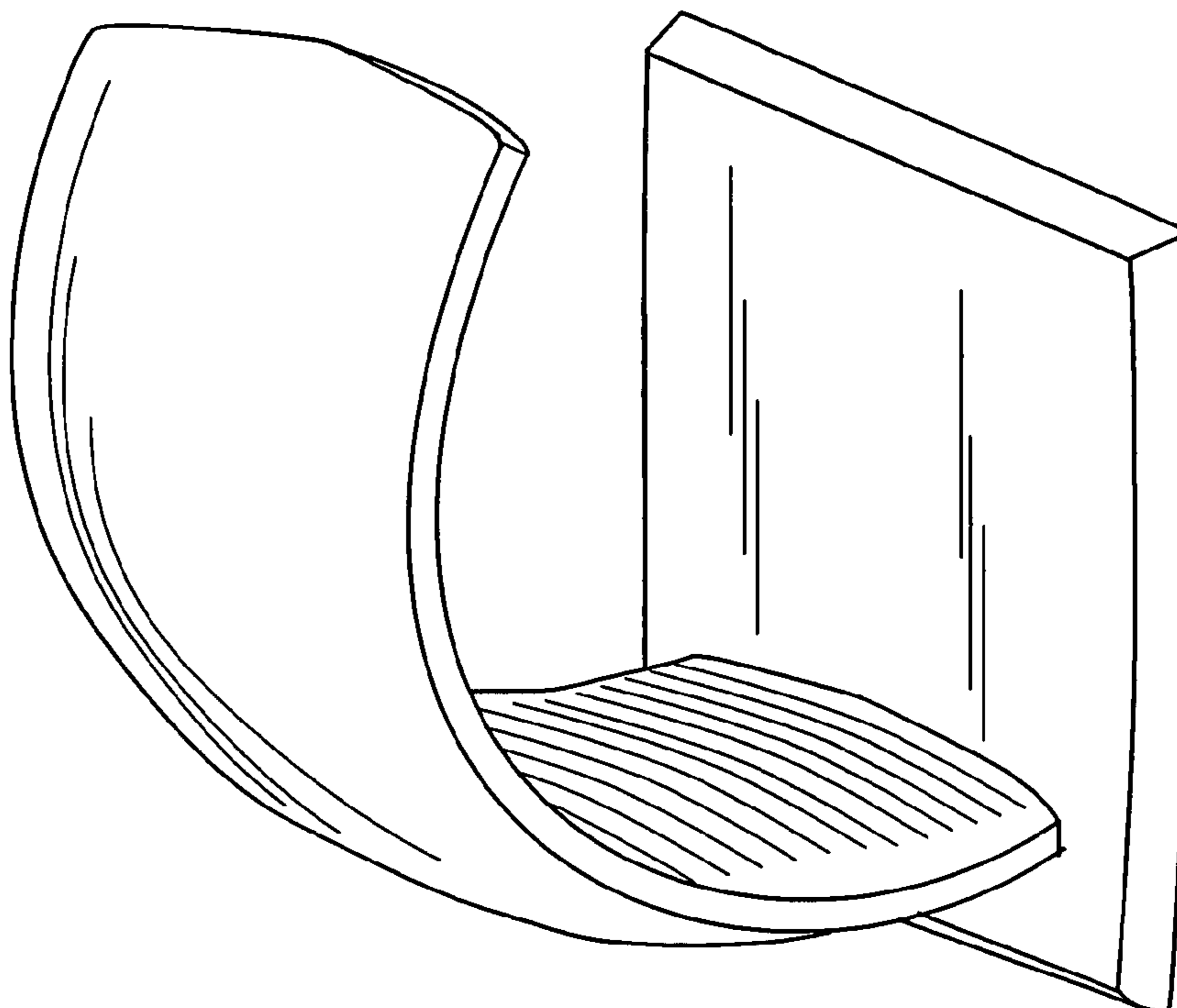
FIG. 2 is a side view thereof, the other side being a mirror
image thereof;

FIG. 3 is a top view thereof;

FIG. 4 is a front view thereof; and,

FIG. 5 is a rear view thereof.

1 Claim, 3 Drawing Sheets



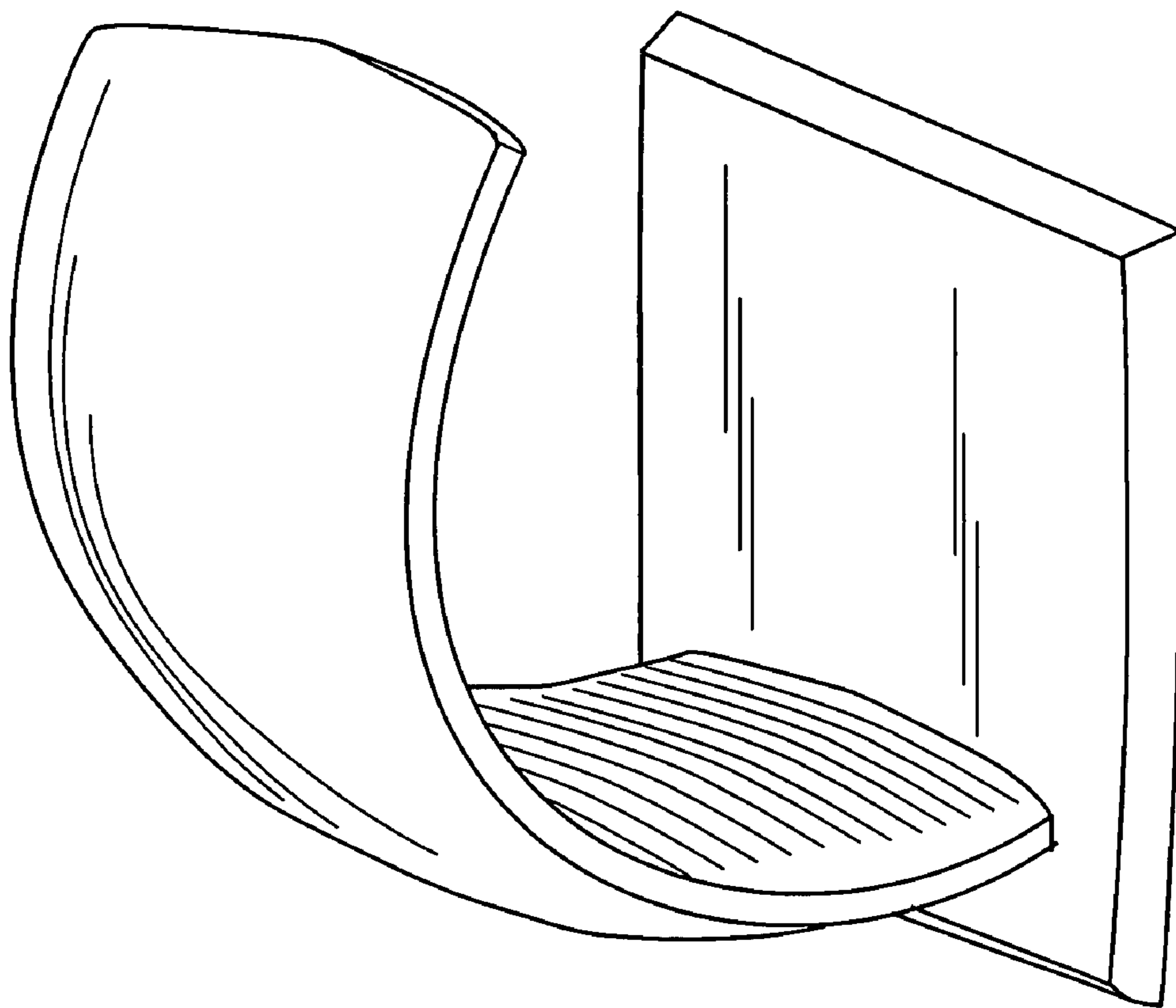


Fig. 1

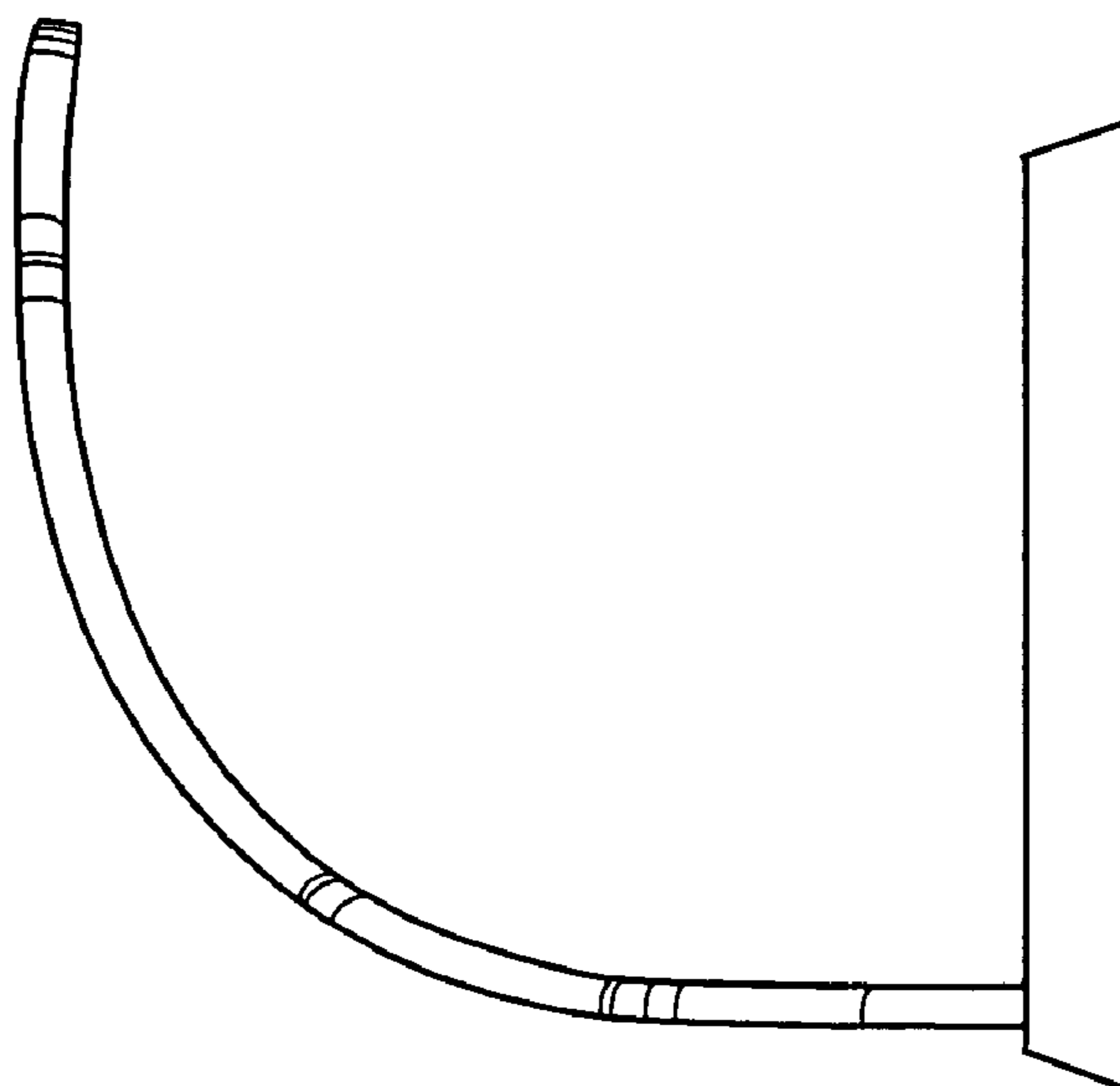


Fig. 2

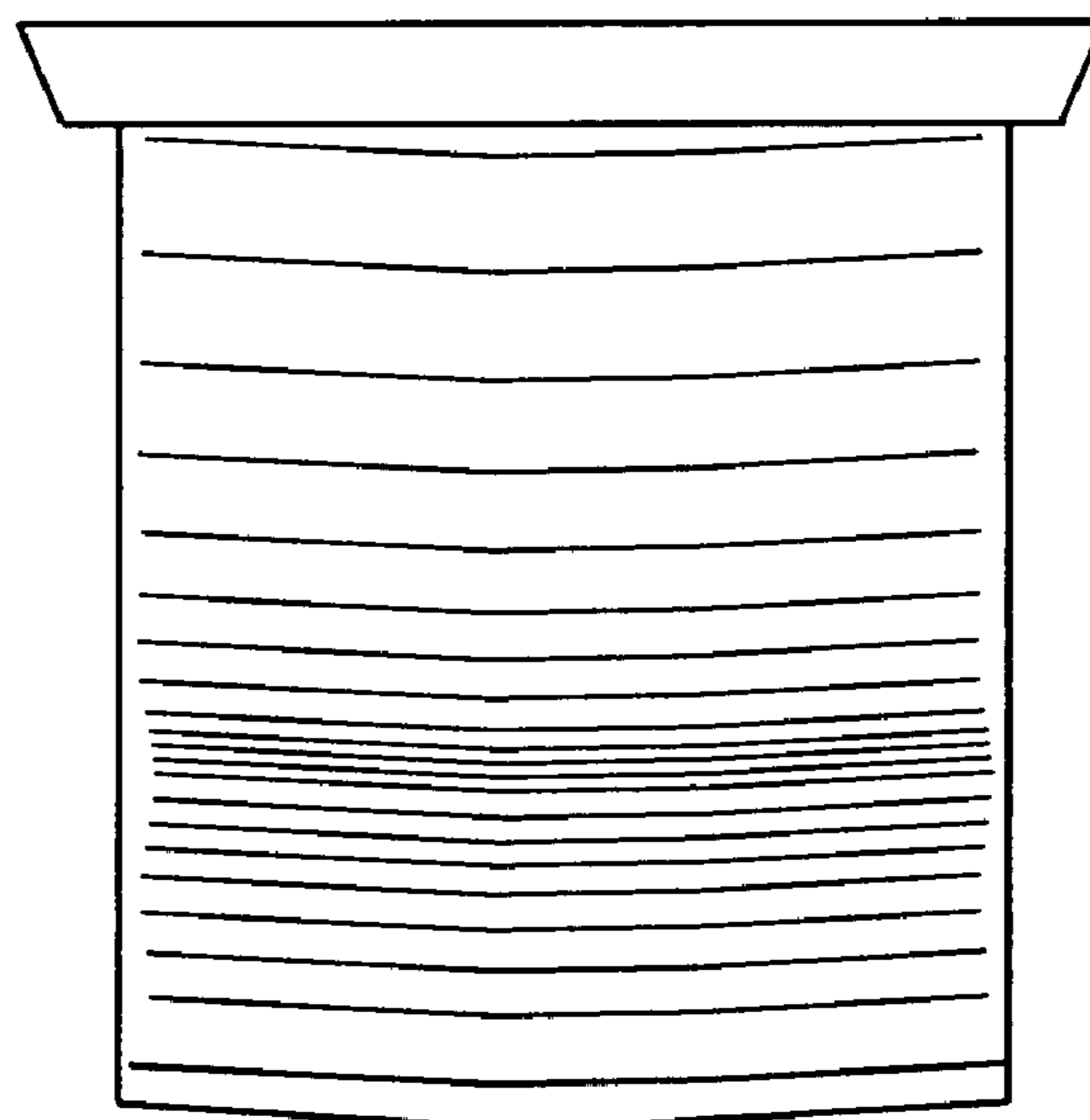


Fig. 3

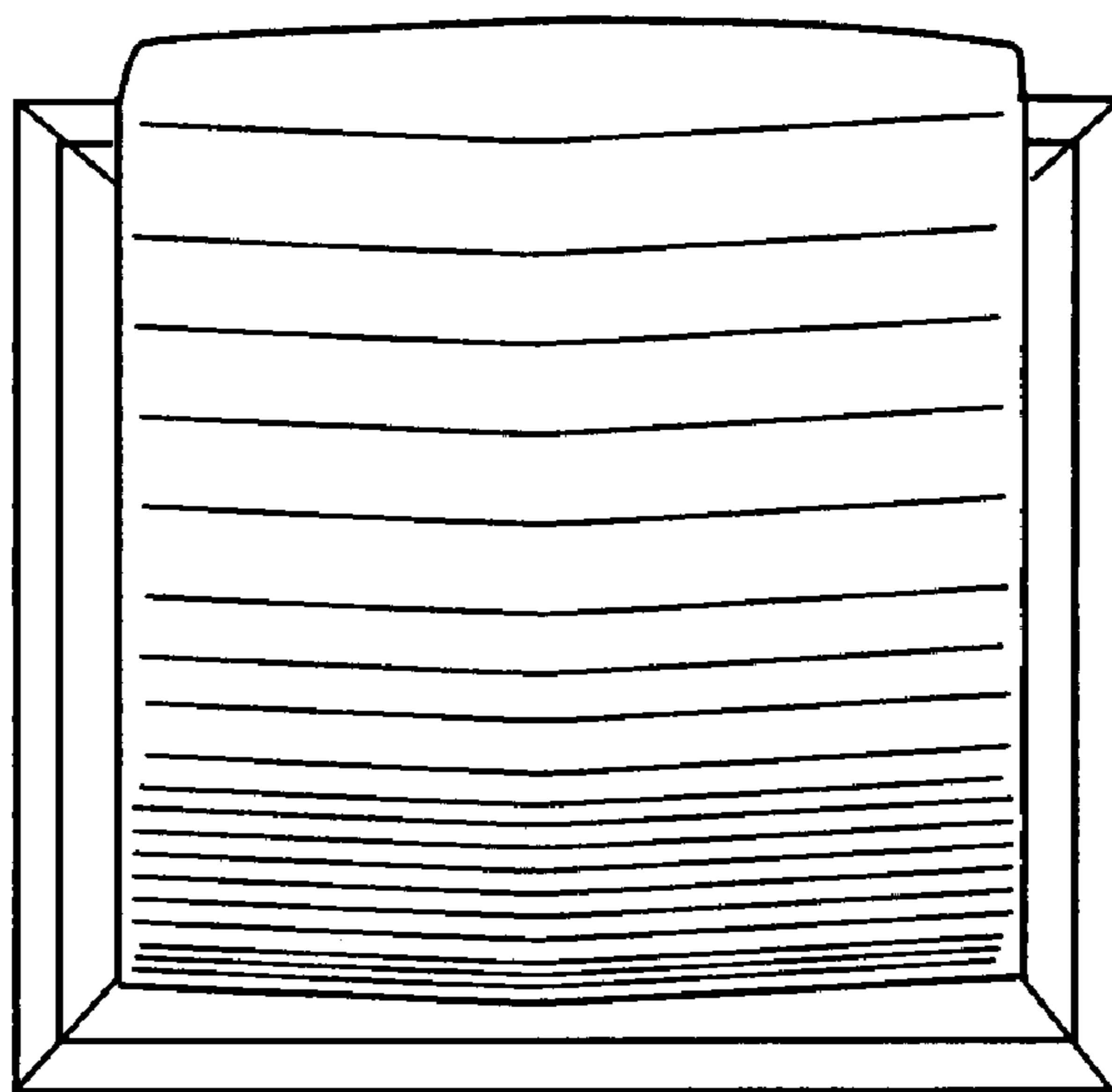


Fig. 4

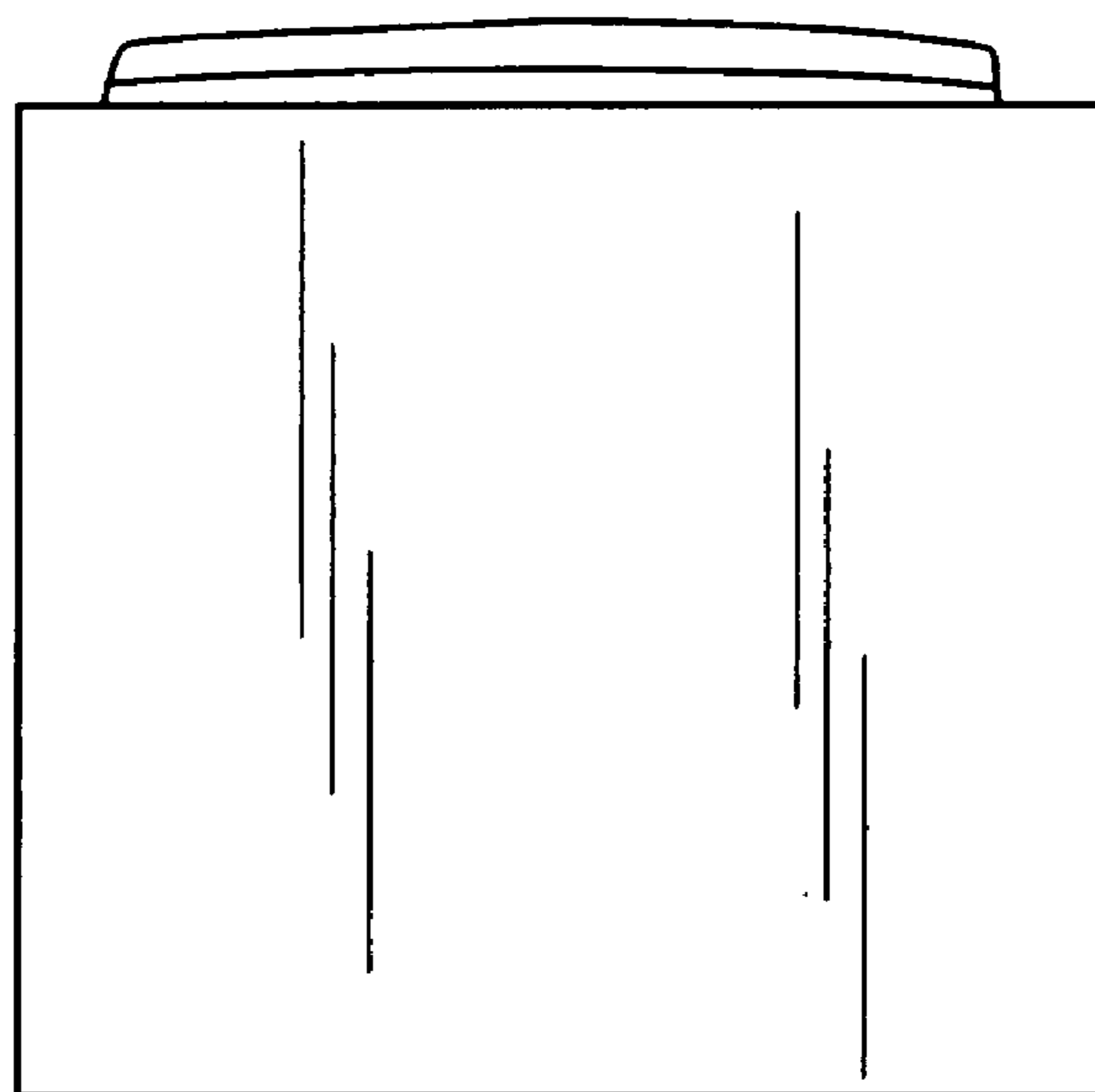


Fig. 5