

US00D556018S

(12) **United States Design Patent**  
**Curtas et al.**

(10) **Patent No.:** **US D556,018 S**

(45) **Date of Patent:** **\*\* Nov. 27, 2007**

(54) **BRACKET**

6,725,619 B1 \* 4/2004 Barber ..... 52/712

(75) Inventors: **Luke D. Curtas**, Fredericksburg, VA (US); **John A. Kindred**, Fredericksburg, VA (US)

\* cited by examiner

*Primary Examiner*—Holly H. Baynham

(74) *Attorney, Agent, or Firm*—Jeffrey D. Carter

(73) Assignee: **Mid Atlantic Vinyl Products, Inc.**, Fredericksburg, VA (US)

(57) **CLAIM**

(\*\*) Term: **14 Years**

The ornamental design for a bracket, as shown and described.

(21) Appl. No.: **29/257,919**

**DESCRIPTION**

(22) Filed: **Apr. 12, 2006**

FIG. 1 is a perspective view of the bracket of the present invention;

(51) **LOC (8) Cl.** ..... **08-05**

(52) **U.S. Cl.** ..... **D8/354**

(58) **Field of Classification Search** ..... D8/354, D8/380; 248/300; 52/702, 712

See application file for complete search history.

FIG. 2 is a front view thereof, the rear view being identical to the front view;

FIG. 3 is a top view thereof;

FIG. 4 is a bottom view thereof; and,

FIG. 5 is a right side view thereof, the left side view being a mirror image of the right side view.

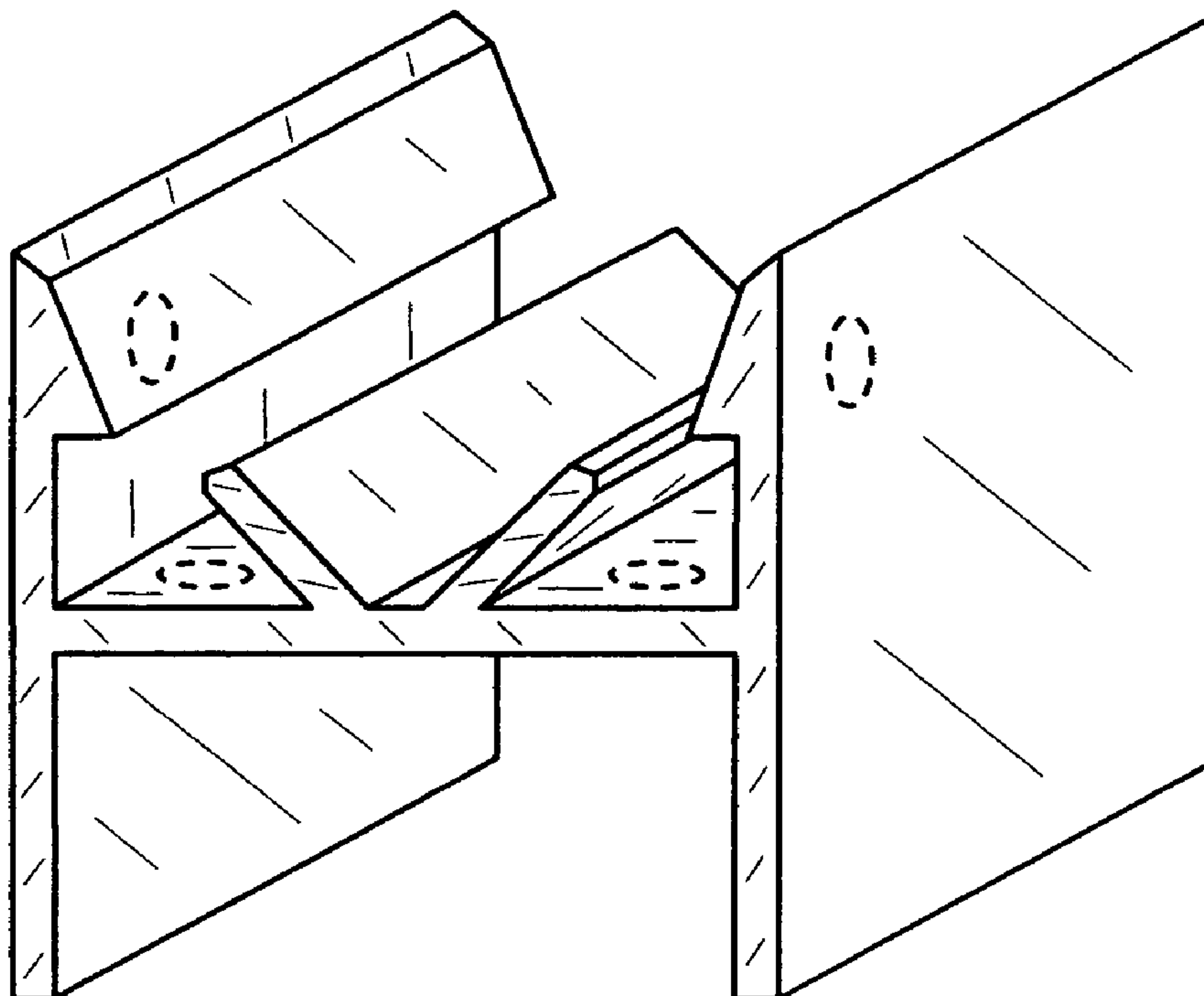
The broken lines shown in any of the drawing views are for illustrative purposes only and form no part of the claimed design.

(56) **References Cited**

**U.S. PATENT DOCUMENTS**

6,101,780 A \* 8/2000 Kreidt ..... 52/712

**1 Claim, 5 Drawing Sheets**



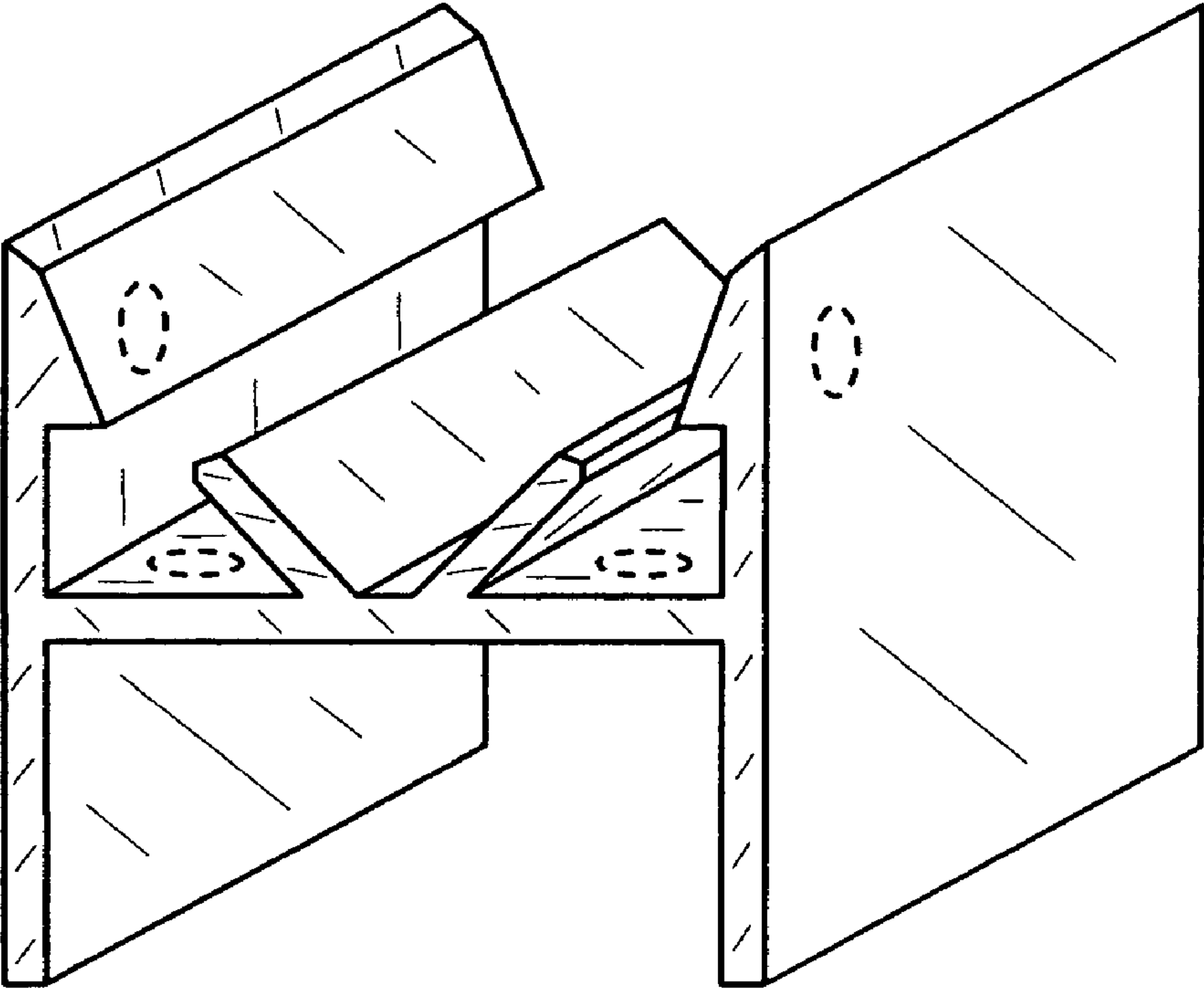


FIG. 1

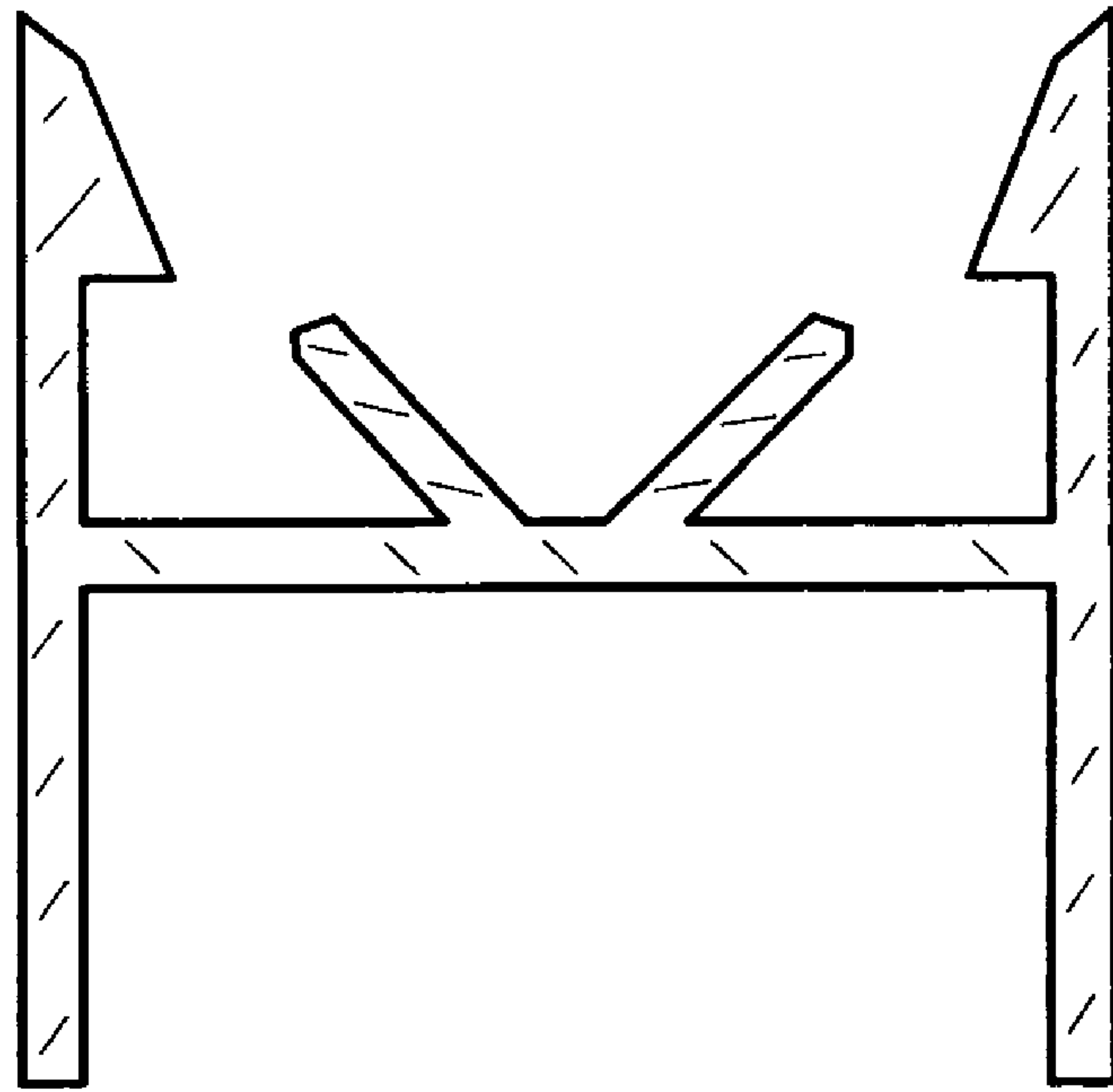


FIG. 2

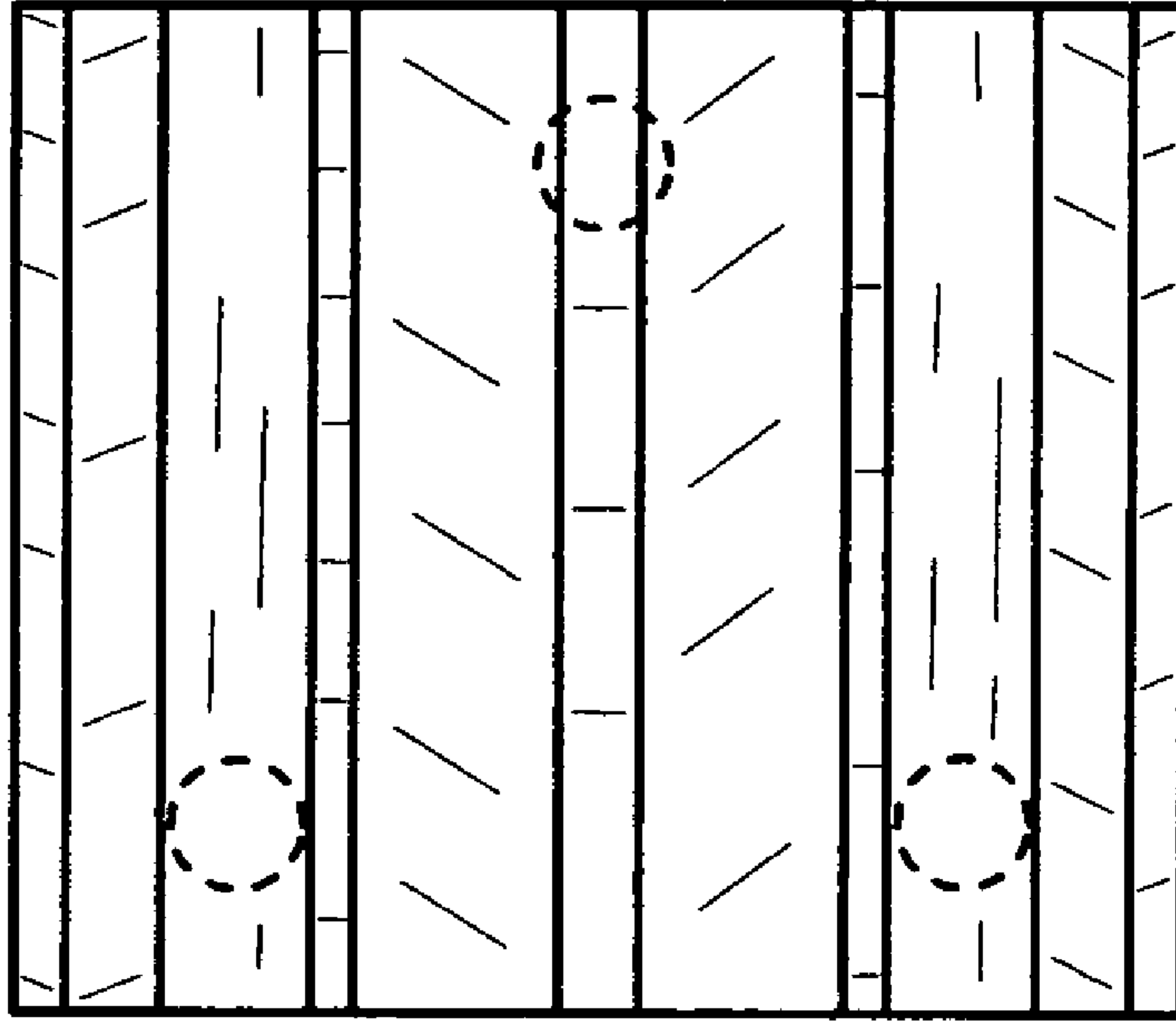


FIG. 3

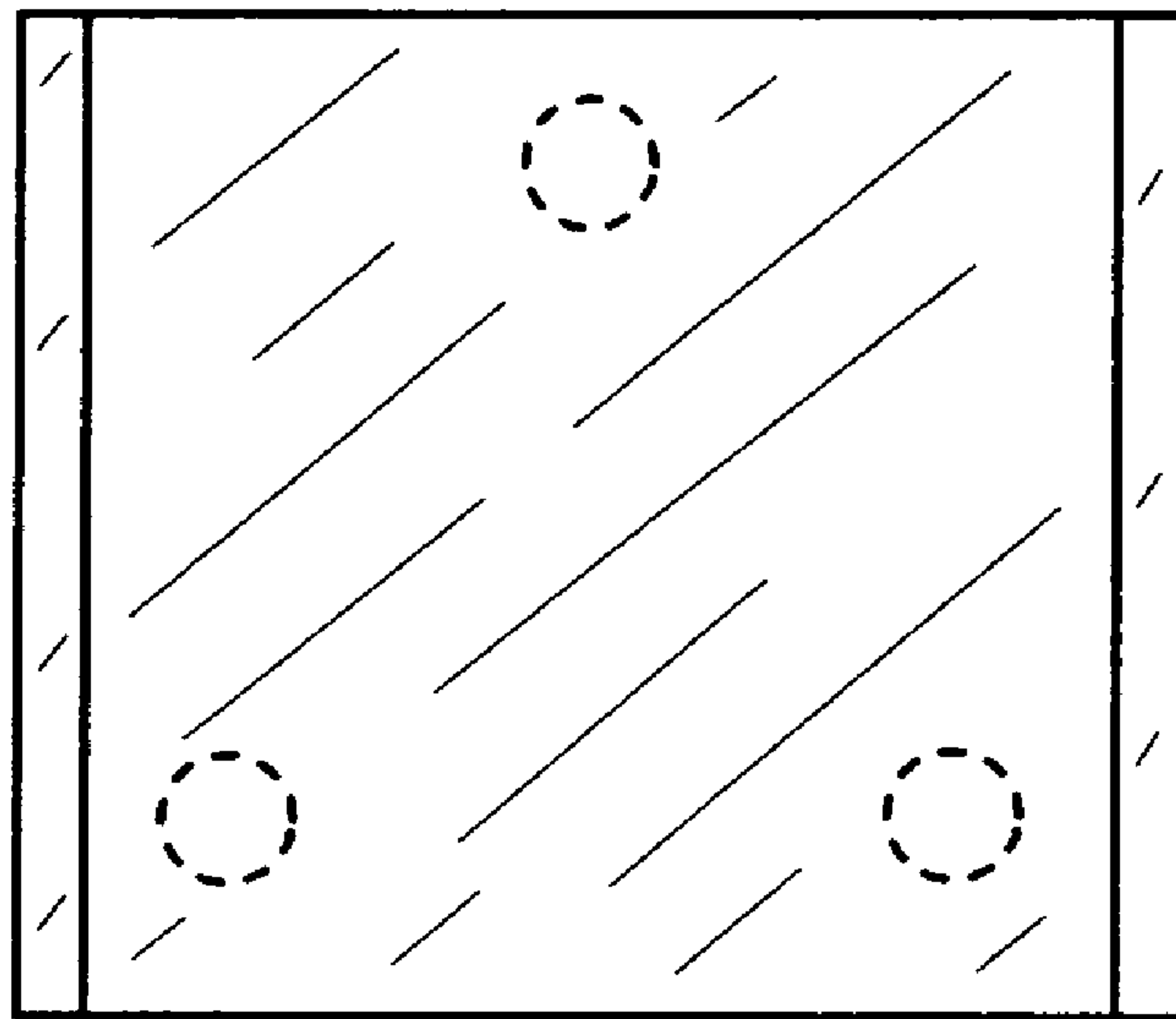


FIG. 4

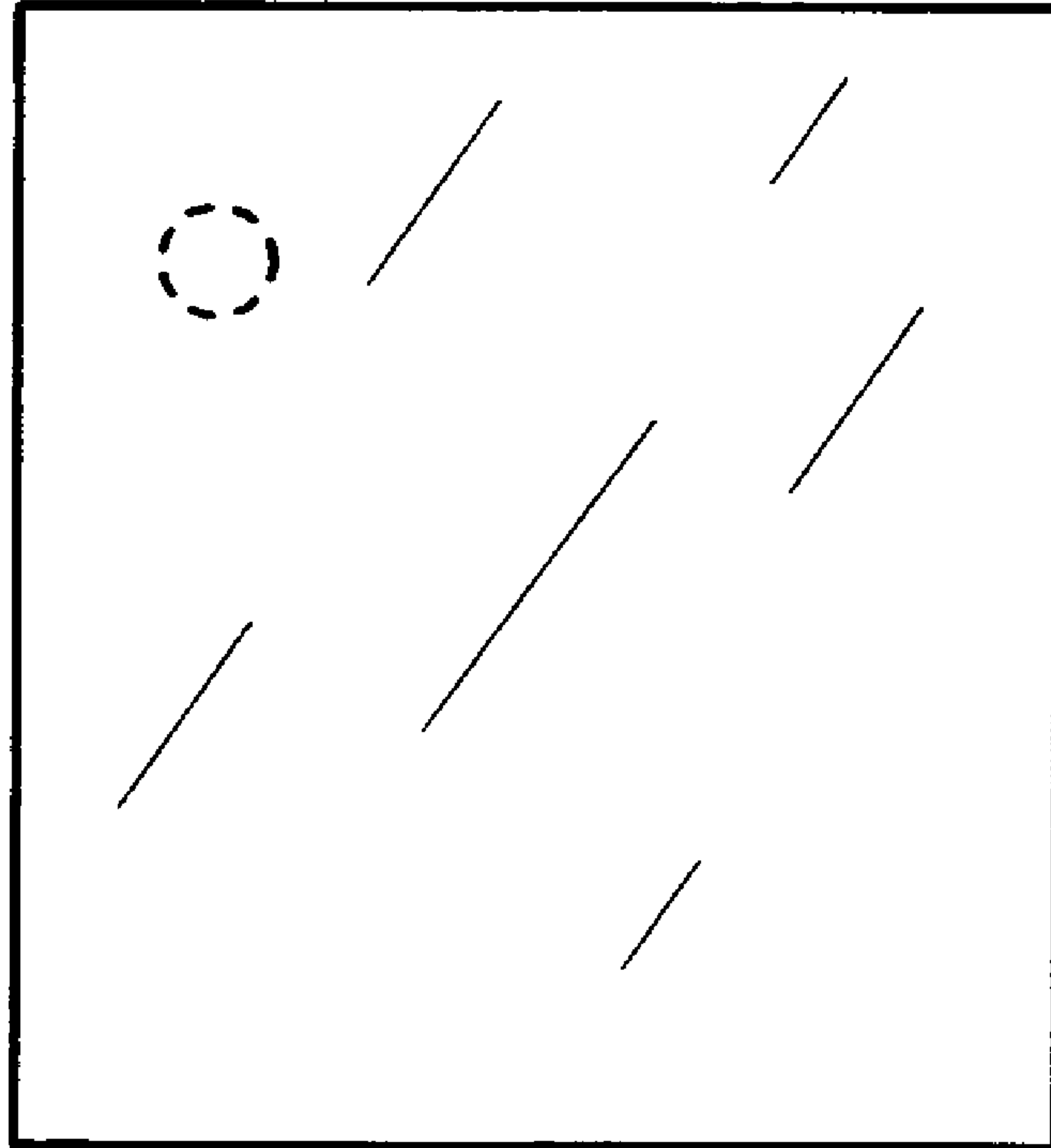


FIG. 5