



US00D556017S

(12) **United States Design Patent**
Hutter, III

(10) **Patent No.:** **US D556,017 S**

(45) **Date of Patent:** **** Nov. 27, 2007**

(54) **DOUBLE LINE CLAMP SUPPORT BRACKET**

(75) Inventor: **Charles G. Hutter, III**, Carson City, NV (US)

(73) Assignee: **Physical Systems, Inc.**, Carson City, NV (US)

(**) Term: **14 Years**

(21) Appl. No.: **29/252,038**

(22) Filed: **Jan. 17, 2006**

(51) **LOC (8) Cl.** **08-05**

(52) **U.S. Cl.** **D8/354**

(58) **Field of Classification Search** D8/354,
D8/349, 382; 248/70, 300
See application file for complete search history.

(56) **References Cited**

U.S. PATENT DOCUMENTS

3,149,811	A *	9/1964	Gorton et al.	248/241
5,607,313	A *	3/1997	Nyman	439/83
6,019,557	A *	2/2000	Lo et al.	411/176
D488,704	S *	4/2004	Mercier	D8/354

* cited by examiner

Primary Examiner—Holly H. Baynham

(74) *Attorney, Agent, or Firm*—Kelly Lowry & Kelley, LLP; Stuart O. Lowry

(57) **CLAIM**

The ornamental design for a double line clamp support bracket, as shown.

DESCRIPTION

FIG. 1 is a perspective view showing the bottom, front, and right sides of a double line clamp support bracket embodying the new design;

FIG. 2 is a front elevation view thereof, the rear elevation being a mirror image of the front side as shown;

FIG. 3 is a right side elevation view thereof;

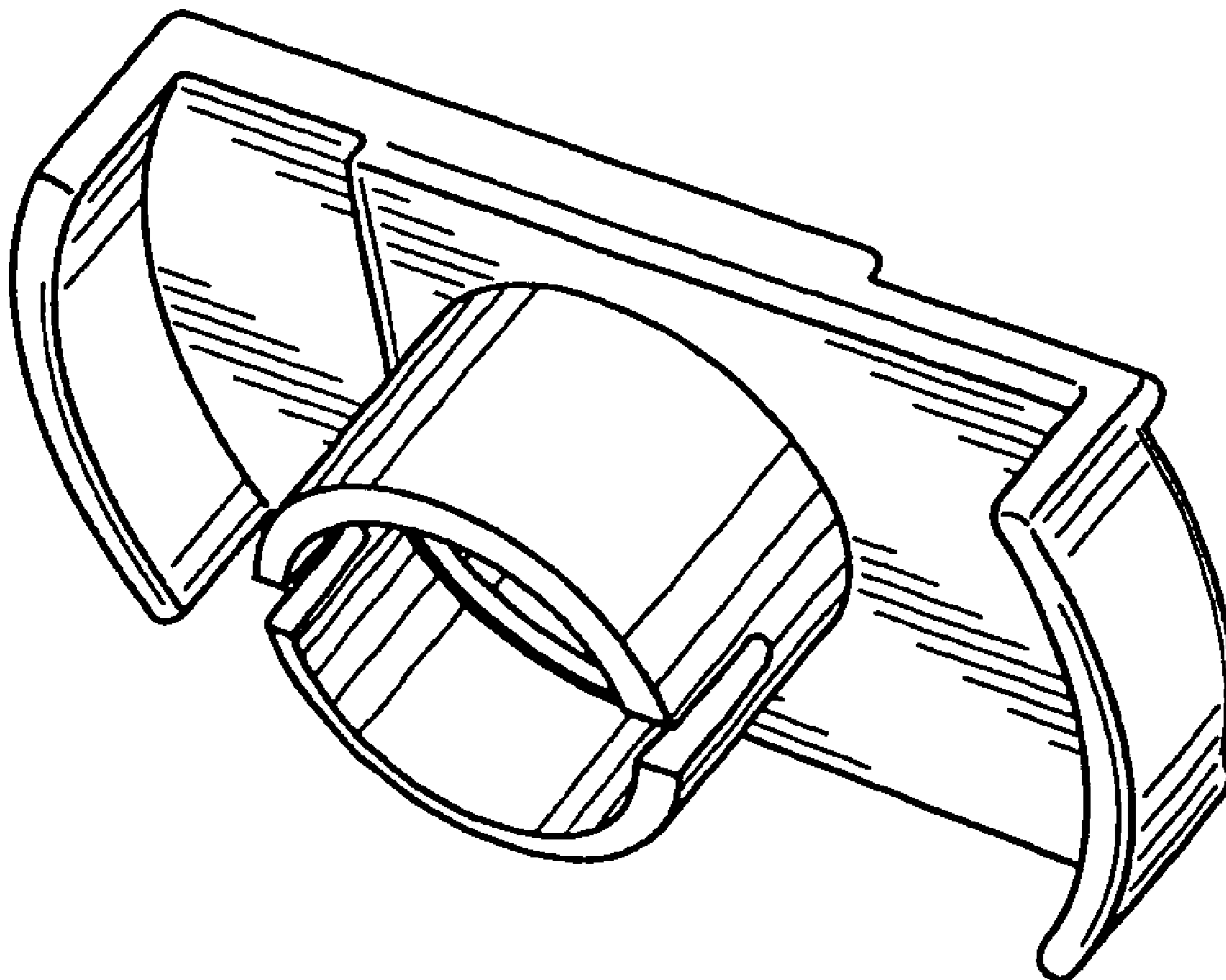
FIG. 4 is a left side elevation view thereof;

FIG. 5 is a top plan view thereof;

FIG. 6 is a bottom plan view thereof; and,

FIG. 7 is a perspective view showing the top, front and right sides thereof.

1 Claim, 2 Drawing Sheets



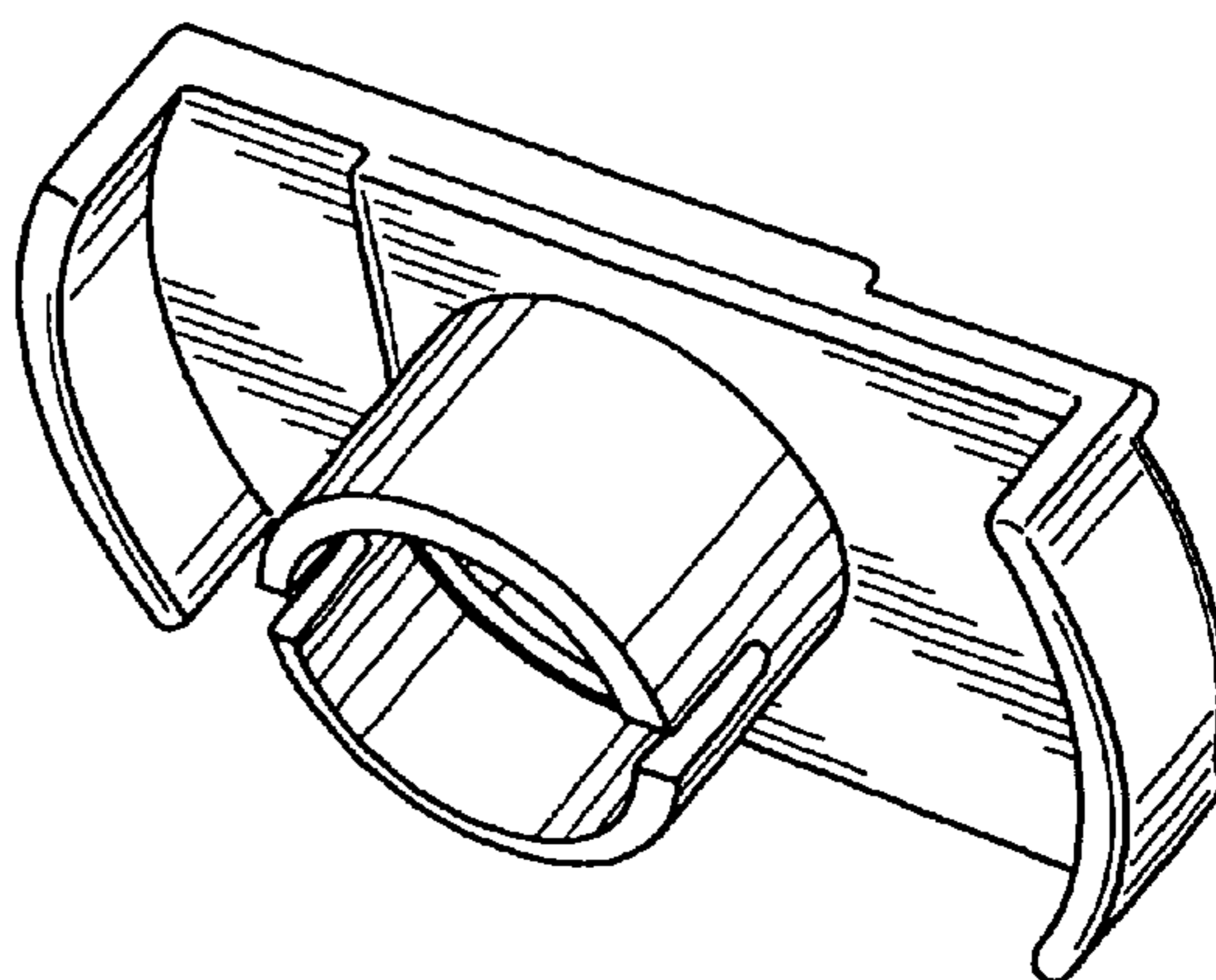


FIG. 1

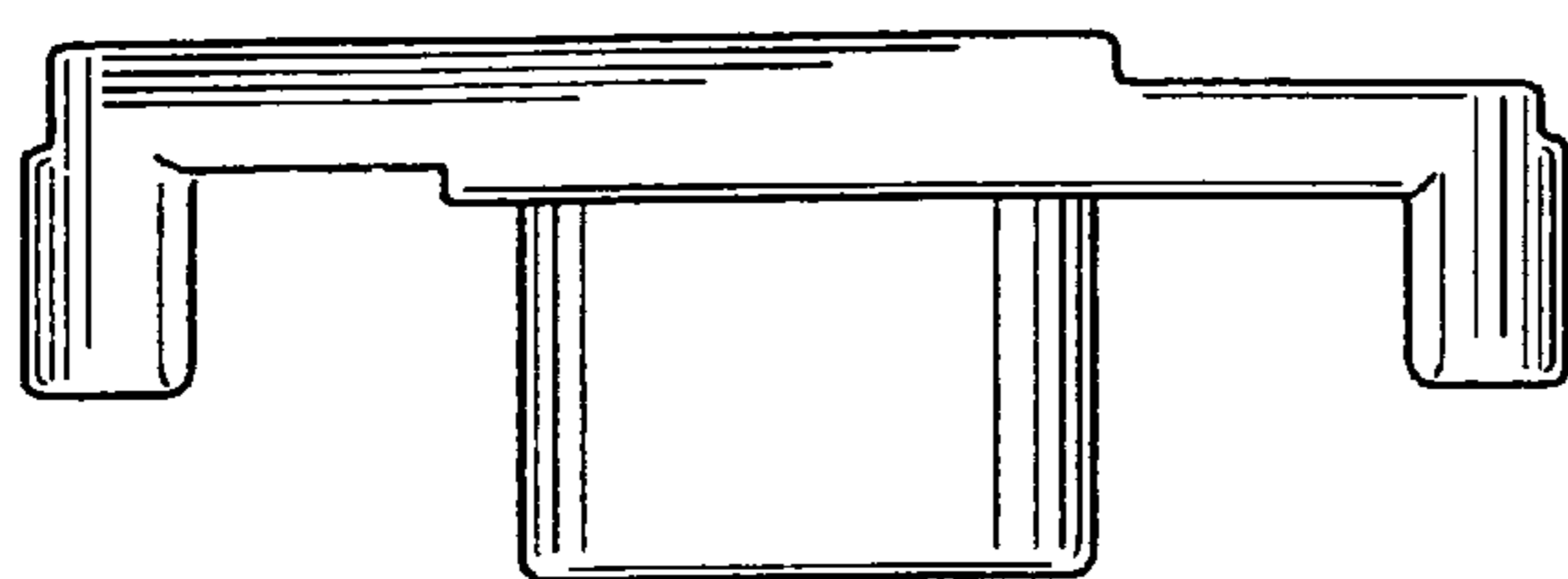


FIG. 2



FIG. 3

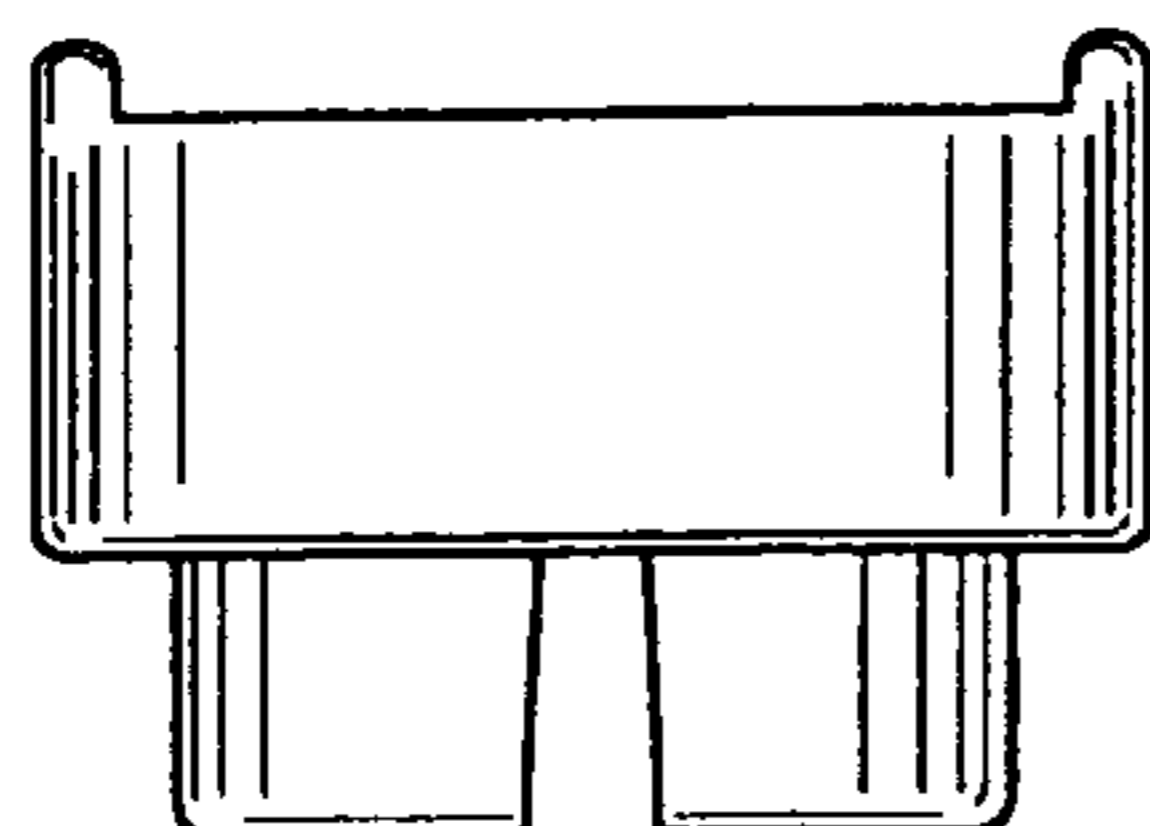


FIG. 4

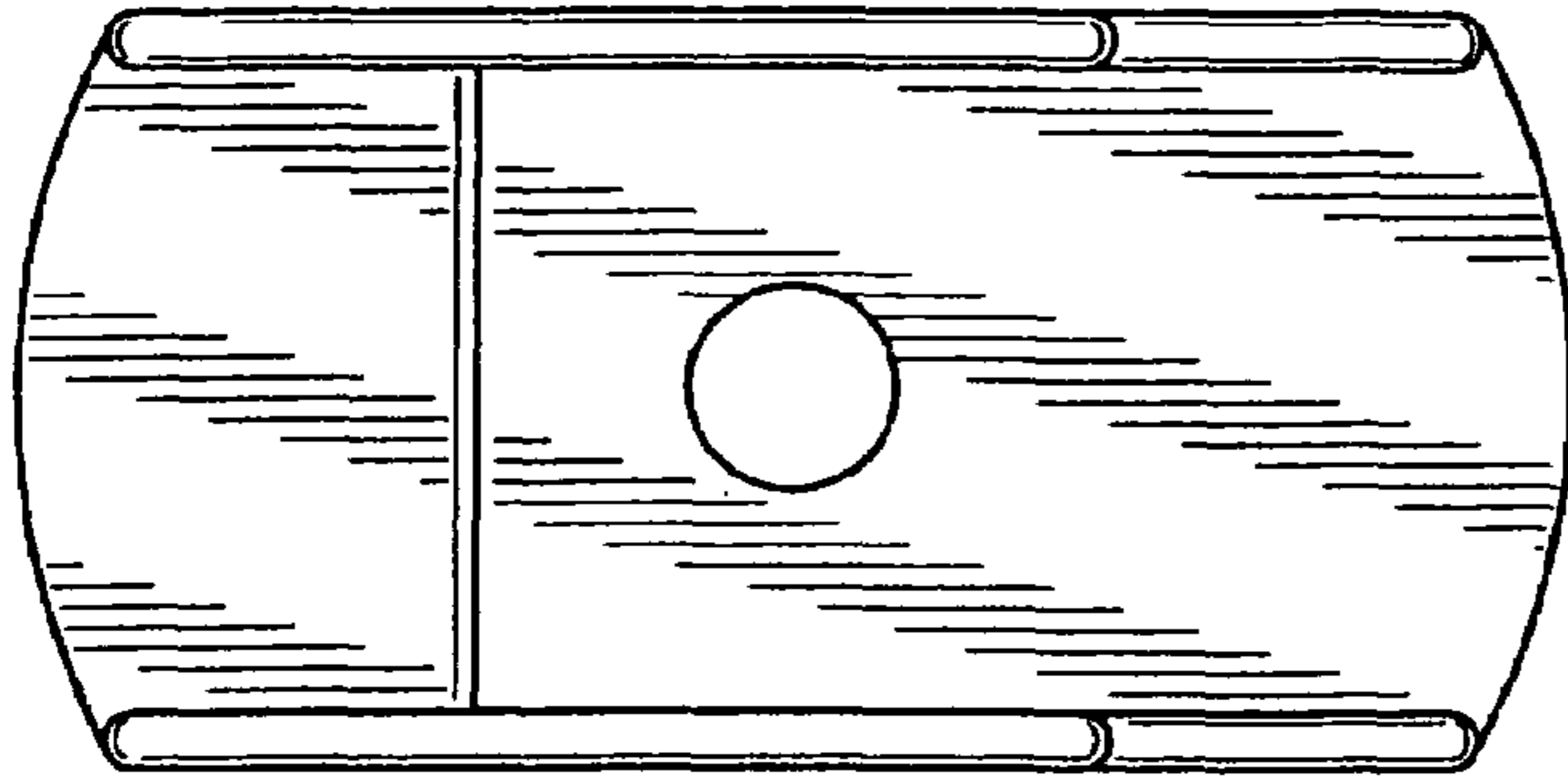


FIG. 5

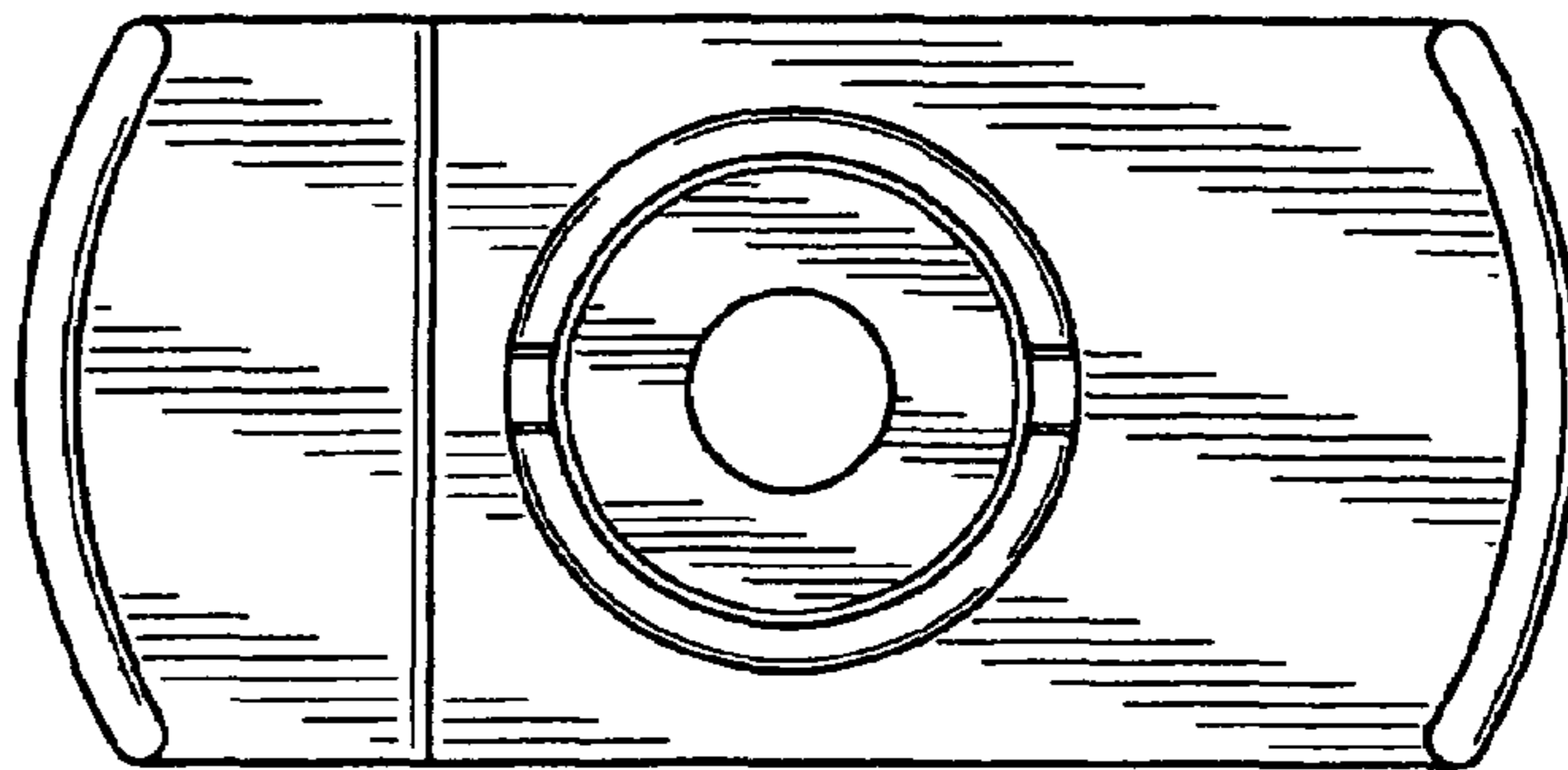


FIG. 6

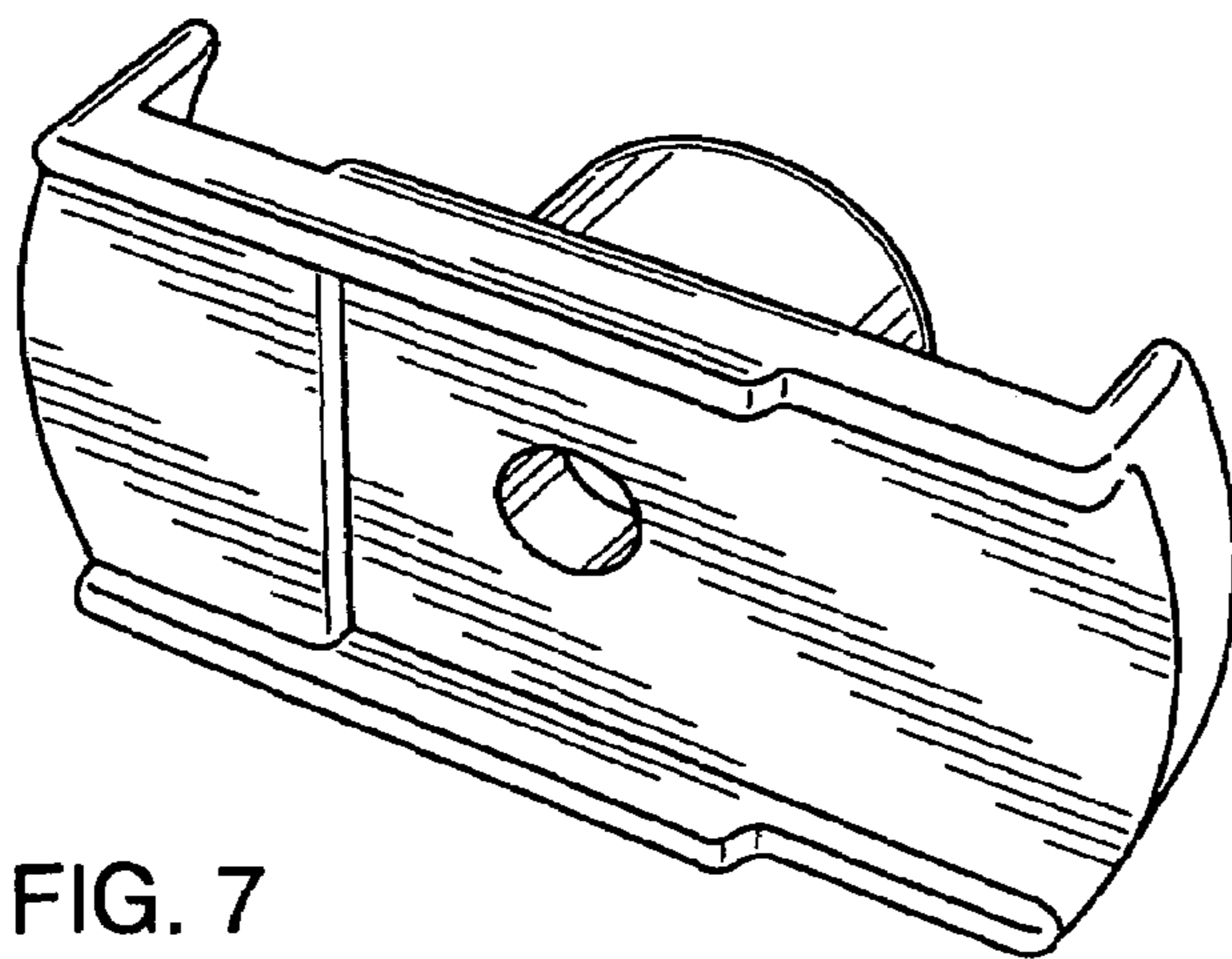


FIG. 7