



US00D556015S

(12) **United States Design Patent**  
**Muchnik**

(10) **Patent No.:** **US D556,015 S**

(45) **Date of Patent:** **\*\* Nov. 27, 2007**

(54) **MULTIFUNCTIONAL BRACKET**

(76) Inventor: **Boris A. Muchnik**, 5105 Crossfield Ct.,  
Apt. #16, Rockville, MD (US) 20852

(\*\*) Term: **14 Years**

(21) Appl. No.: **29/242,002**

(22) Filed: **Nov. 4, 2005**

(51) **LOC (8) Cl.** ..... **08-05**

(52) **U.S. Cl.** ..... **D8/354**; D8/349

(58) **Field of Classification Search** ..... D8/354,  
D8/349; 248/200, 300, 27.1

See application file for complete search history.

(56) **References Cited**

U.S. PATENT DOCUMENTS

6,497,395 B1 \* 12/2002 Croker ..... 248/300  
D492,189 S \* 6/2004 Weremchuk et al. .... D8/371

OTHER PUBLICATIONS

AU 114246 S (Gang-Nail Australia Ltd) Jun. 4, 1992 [online]  
[retrieved on Mar. 21, 2007]. Retrieved from Australian Patent  
database.\*

AU 137259 S (Remlap Tracking Pty Ltd) May 11, 1999 [online]  
[retrieved on Mar. 21, 2007]. Retrieved from Australian Patent  
database.\*

\* cited by examiner

*Primary Examiner*—Holly H. Baynham  
(74) *Attorney, Agent, or Firm*—Berenato, White & Stavish,  
LLC

(57) **CLAIM**

The ornamental design for a multifunctional bracket, as  
shown and described.

**DESCRIPTION**

FIG. 1 is a top perspective view of my design for a  
multifunctional bracket;

FIG. 2 is a top plan view of my design;

FIG. 3 is a bottom perspective view of my design; and,

FIG. 4 is a side elevational view of my design.

**1 Claim, 2 Drawing Sheets**

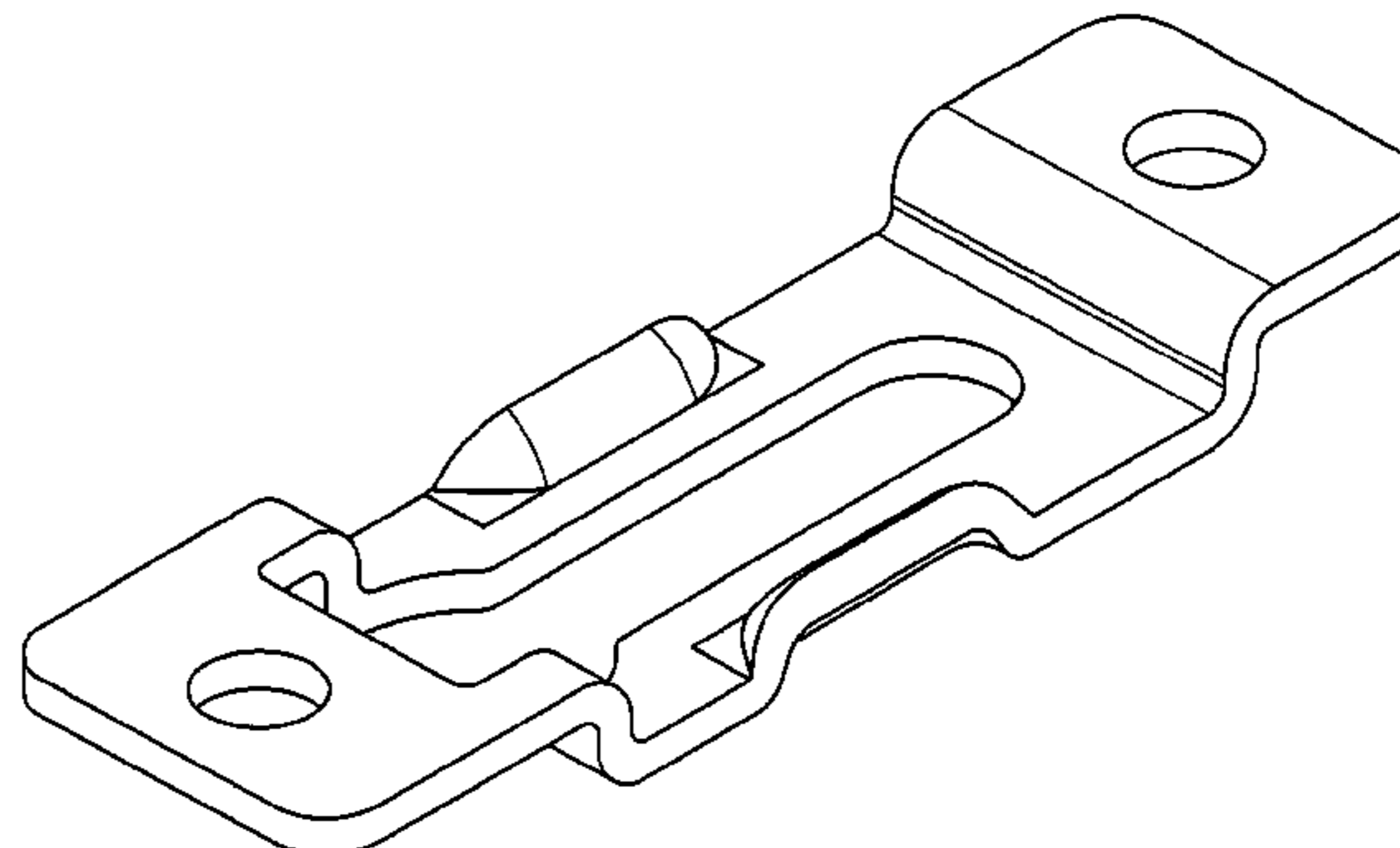
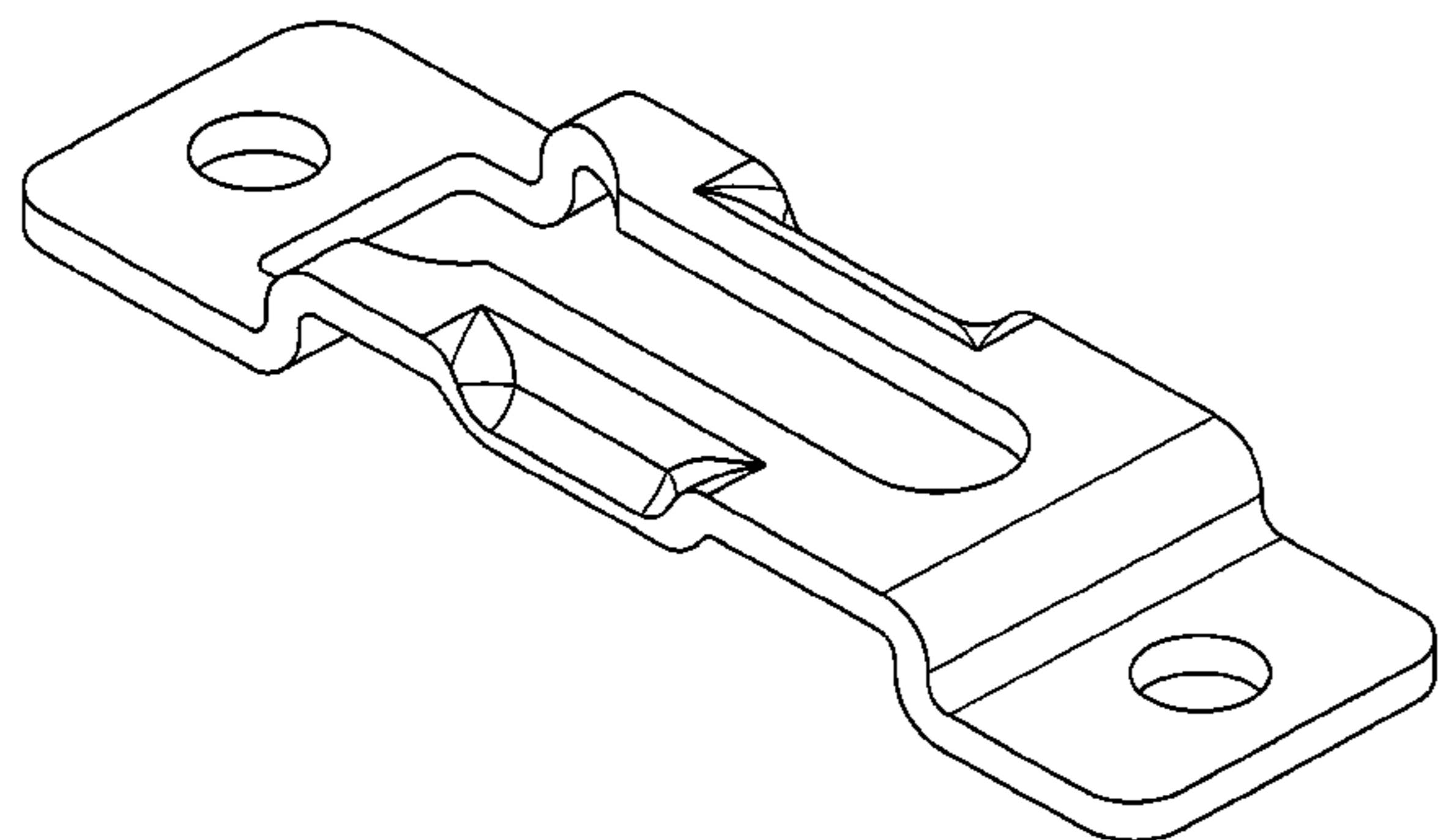


Fig. 1

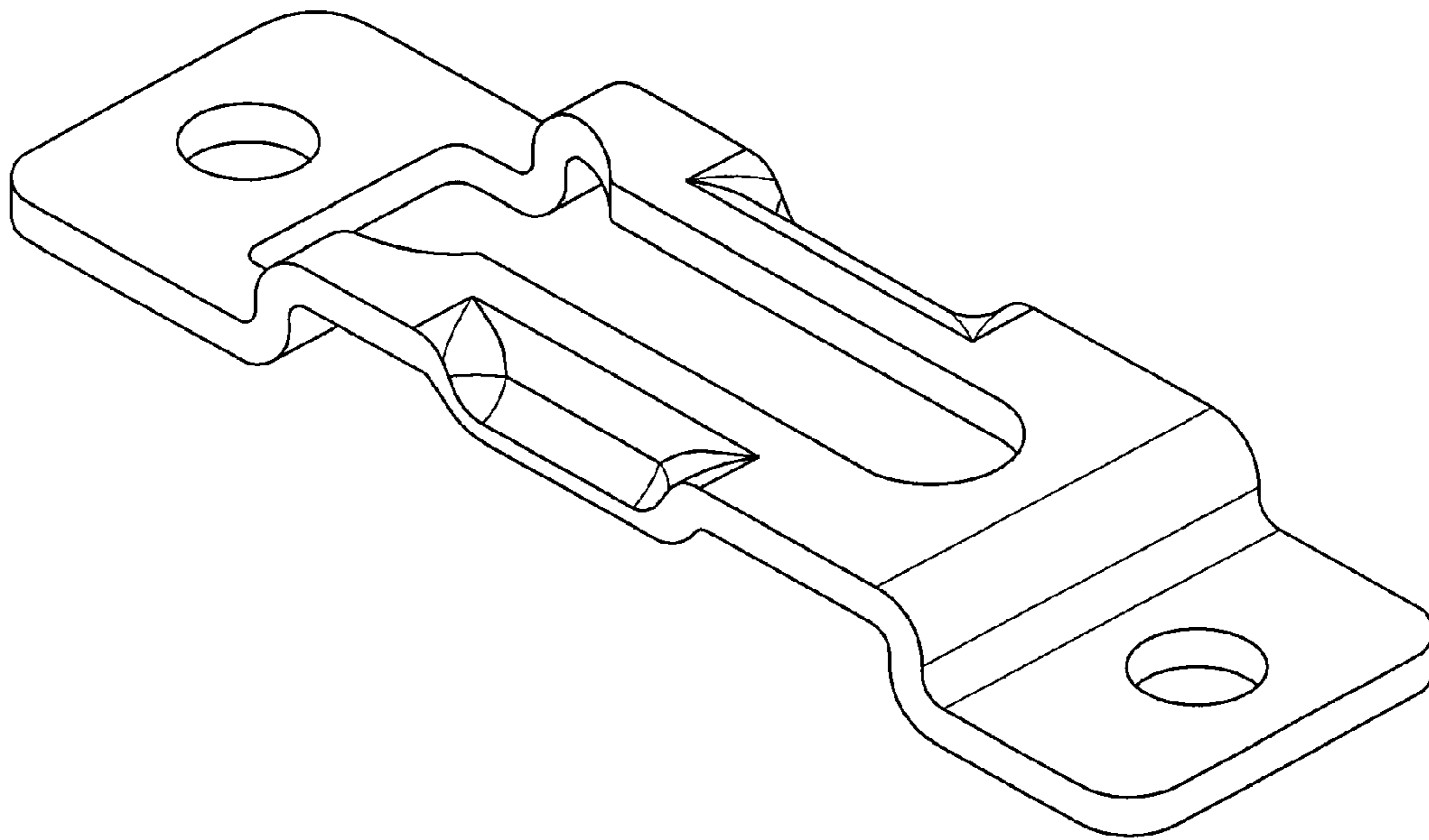


Fig. 2

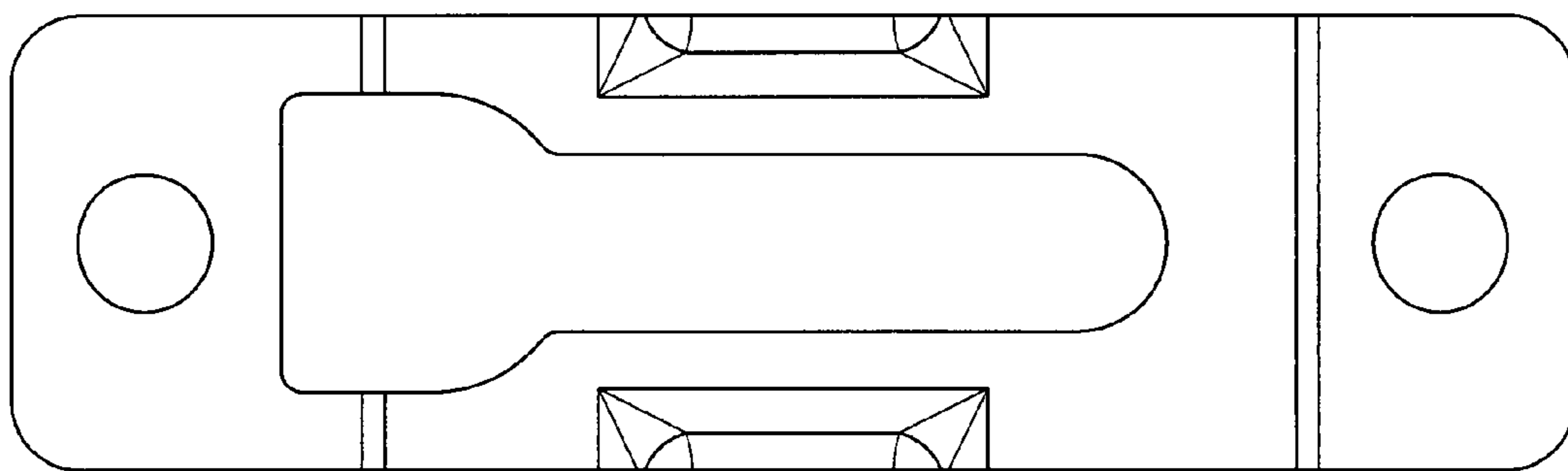


Fig. 3

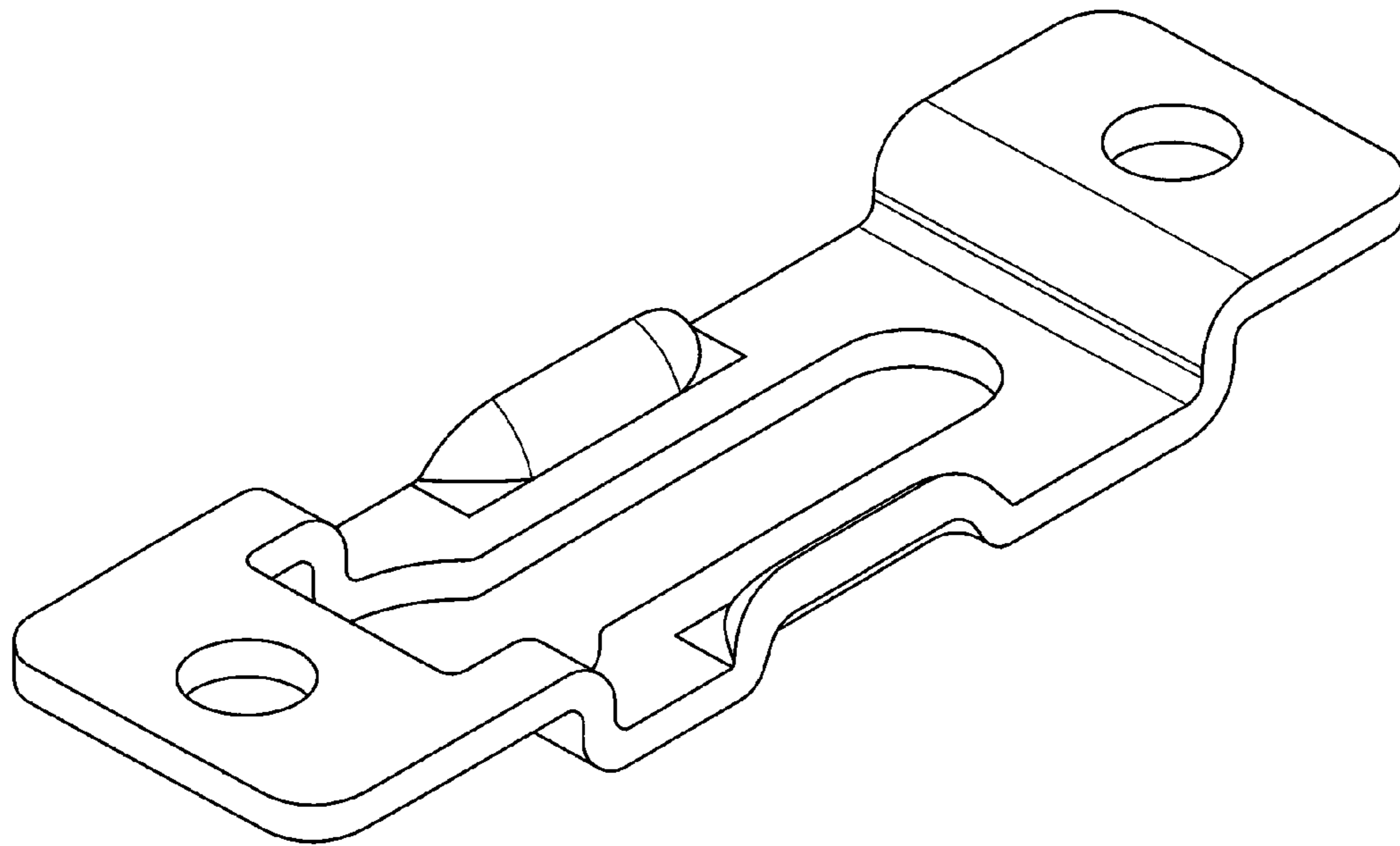


Fig. 4

