

US00D556013S

(12) **United States Design Patent**  
**Hesse**

(10) **Patent No.:** **US D556,013 S**

(45) **Date of Patent:** **\*\* Nov. 27, 2007**

(54) **COMBINATION LOCK**

(75) Inventor: **Klaus-Dieter Hesse**, Sundern (DE)

(73) Assignee: **Sudhaus GmbH & Co. KG**, Iserlohn (DE)

(\*\*) Term: **14 Years**

(21) Appl. No.: **29/265,625**

(22) Filed: **Sep. 5, 2006**

(30) **Foreign Application Priority Data**

Mar. 8, 2006 (EM) ..... 000491519

(51) **LOC (8) Cl.** ..... **08-07**

(52) **U.S. Cl.** ..... **D8/331**

(58) **Field of Classification Search** ..... D8/330-348;  
70/312-318, 304-306, 287-288, 74, 344,  
70/370, 391, 454, 89, 158, 447, 448  
See application file for complete search history.

(56) **References Cited**

U.S. PATENT DOCUMENTS

D273,270 S \* 4/1984 Stolarz ..... D8/341

D273,271 S \* 4/1984 Stolarz ..... D8/341

D471,428 S \* 3/2003 Mirick ..... D8/331

D511,674 S \* 11/2005 Myers et al. .... D8/343

D537,317 S \* 2/2007 Jackson, Jr. .... D8/300

\* cited by examiner

*Primary Examiner*—Mitchell Siegel

(74) *Attorney, Agent, or Firm*—Andrew Wilford

(57) **CLAIM**

The ornamental design for a combination lock, as shown.

**DESCRIPTION**

FIG. 1 is a perspective view from above of the combination lock according to the invention;

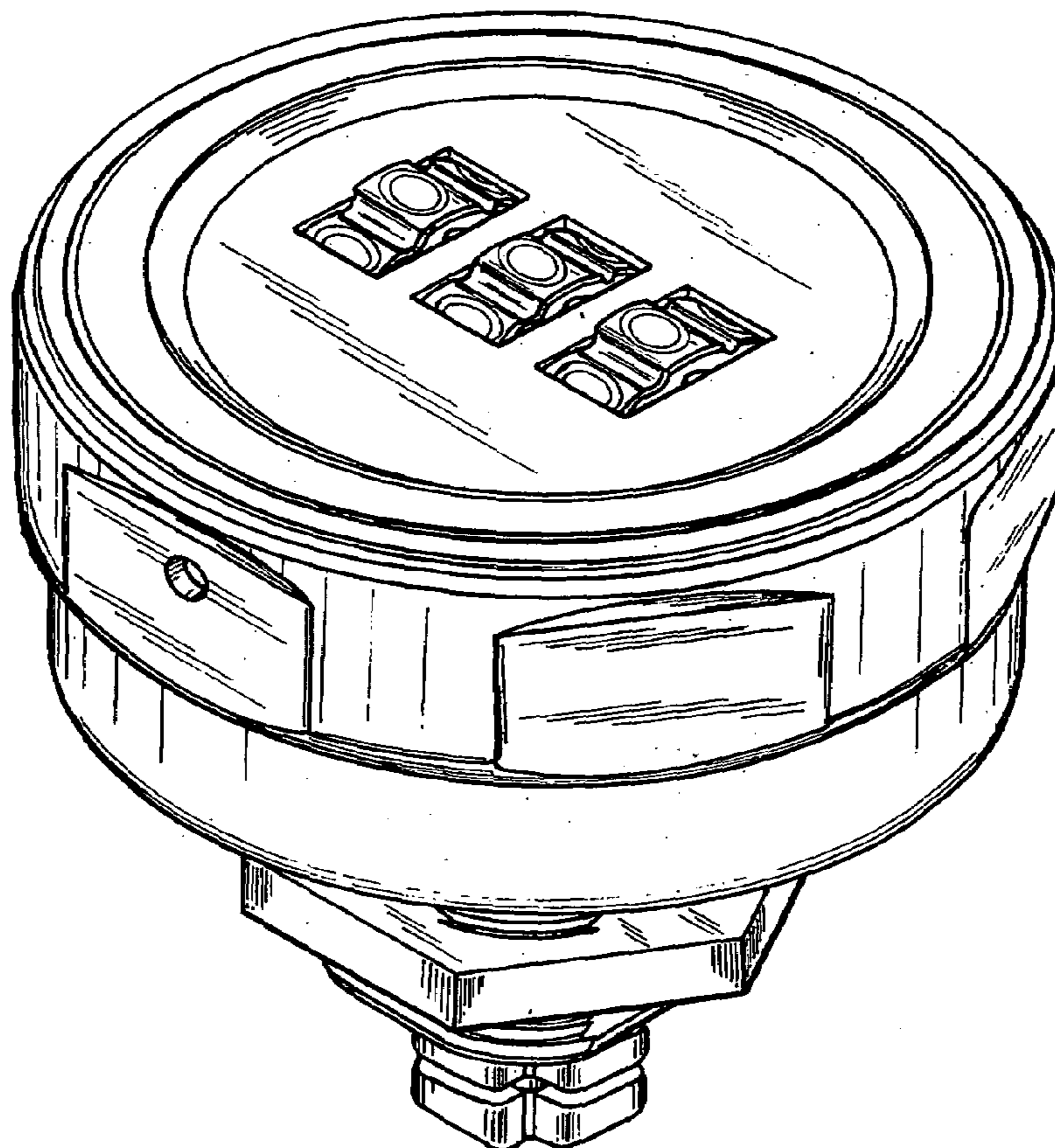
FIG. 2 is a front elevational view of the lock;

FIG. 3 is a top view of the lock;

FIG. 4 is a side elevational view of the lock; and,

FIG. 5 is a perspective view from below of the lock.

**1 Claim, 5 Drawing Sheets**



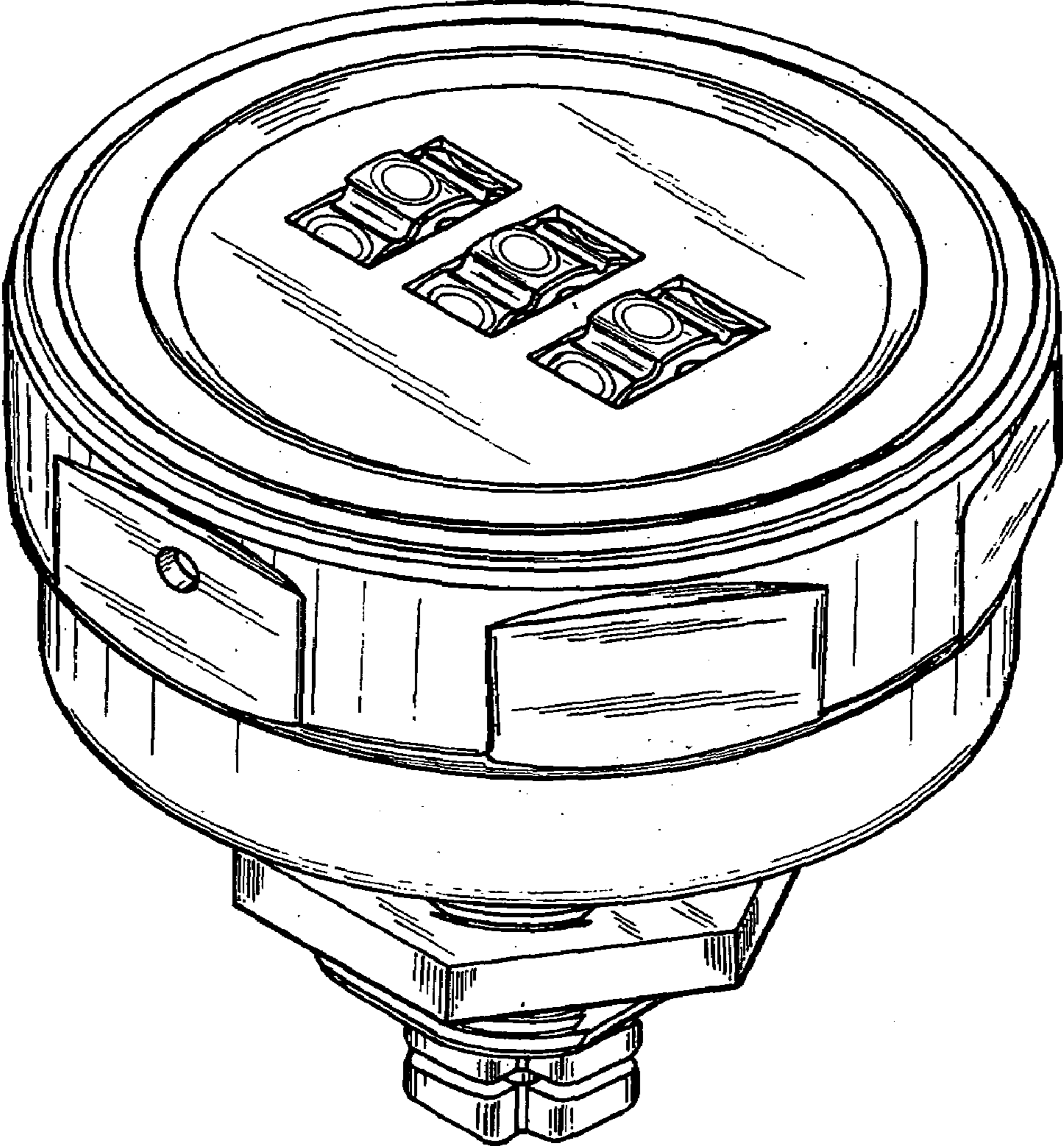


FIG.1

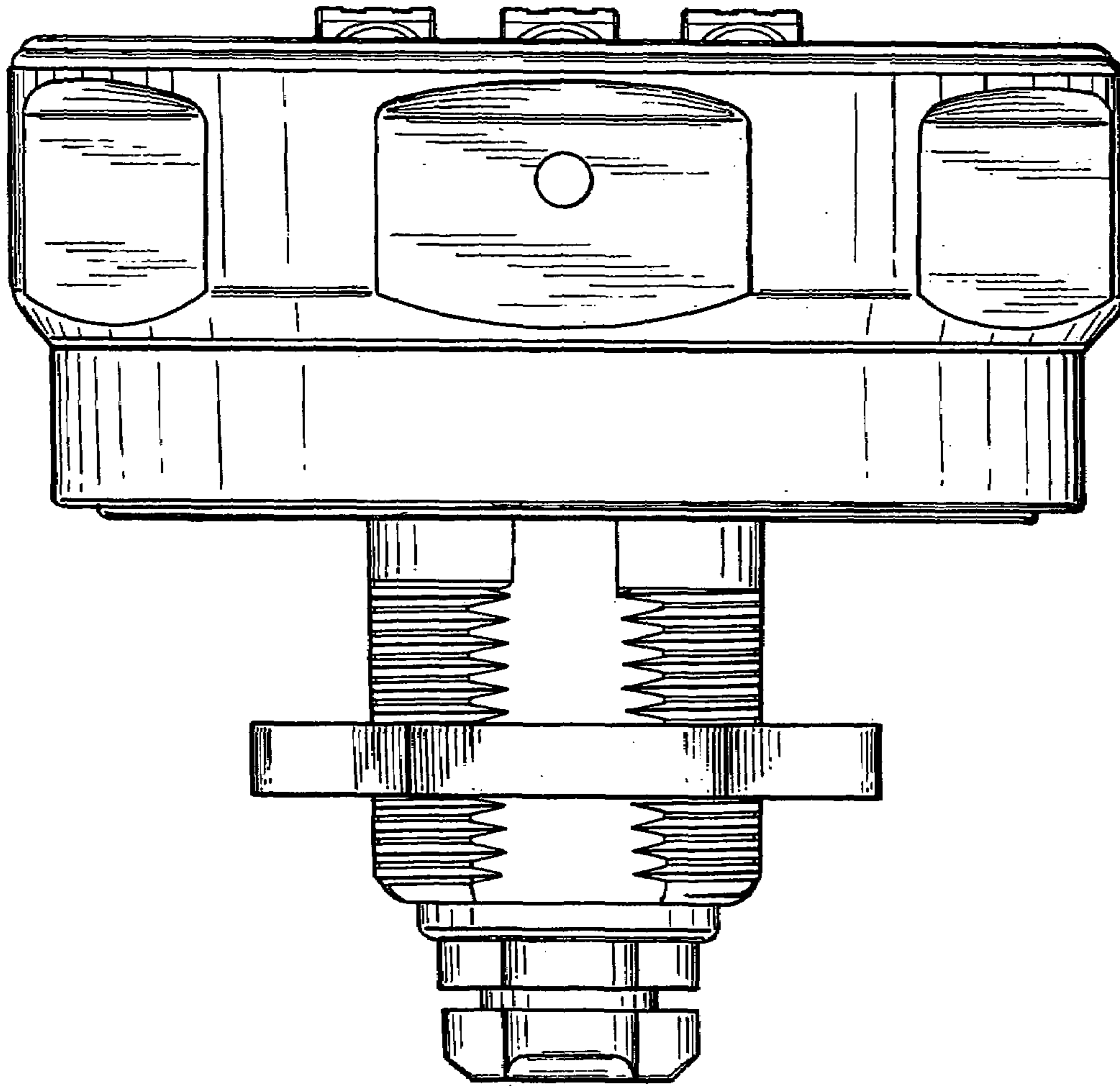


FIG. 2



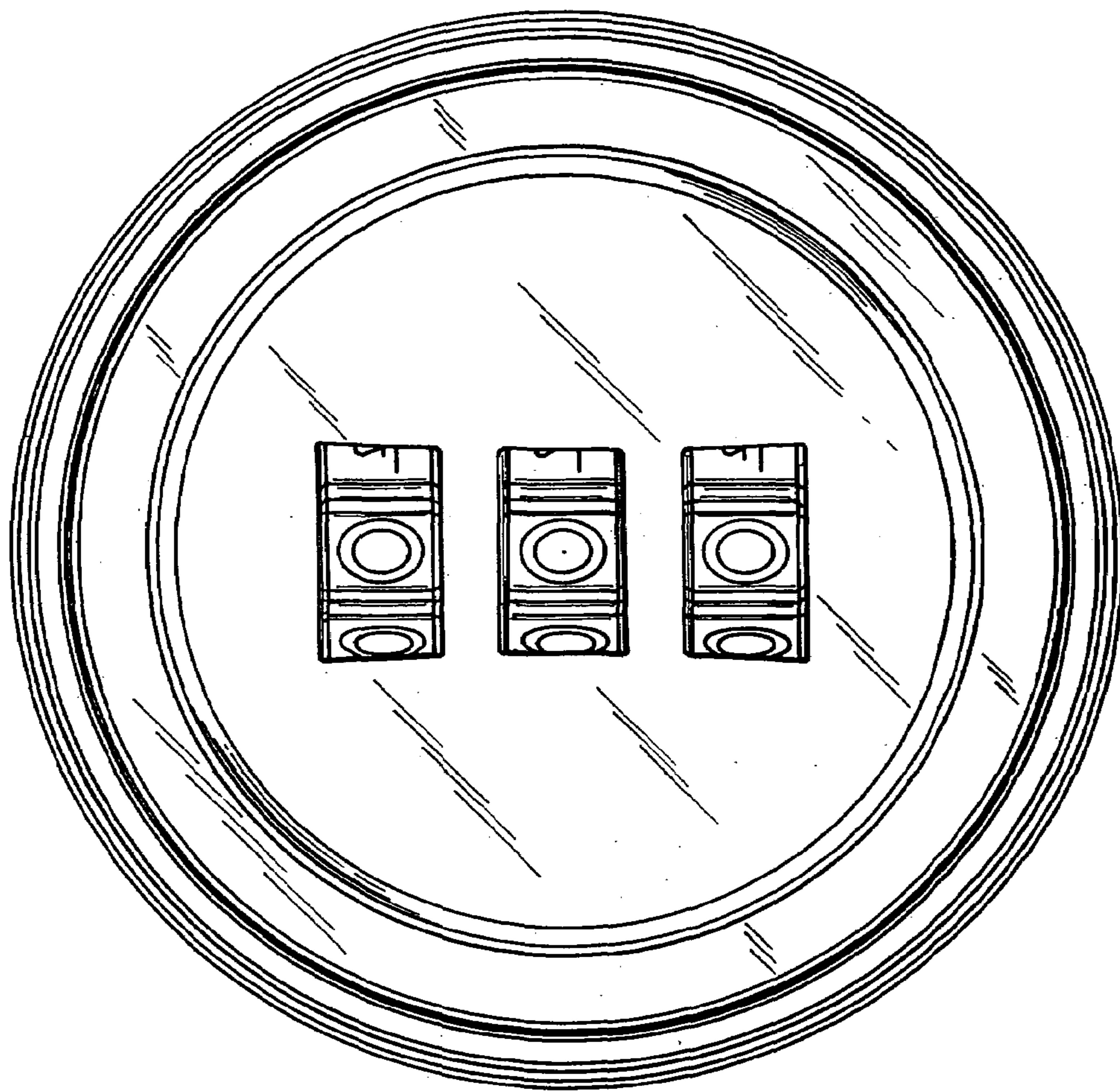


FIG.3

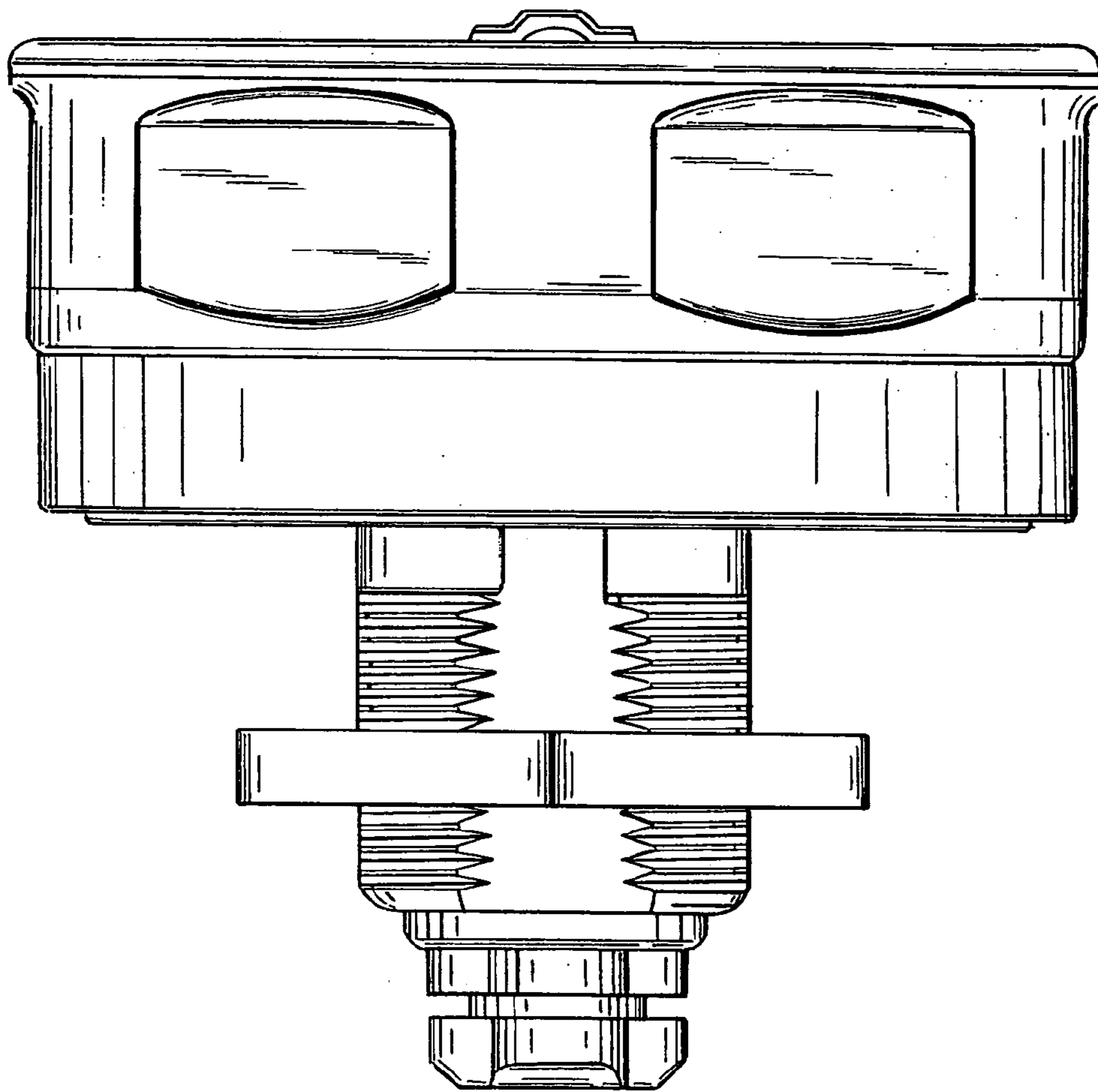


FIG.4

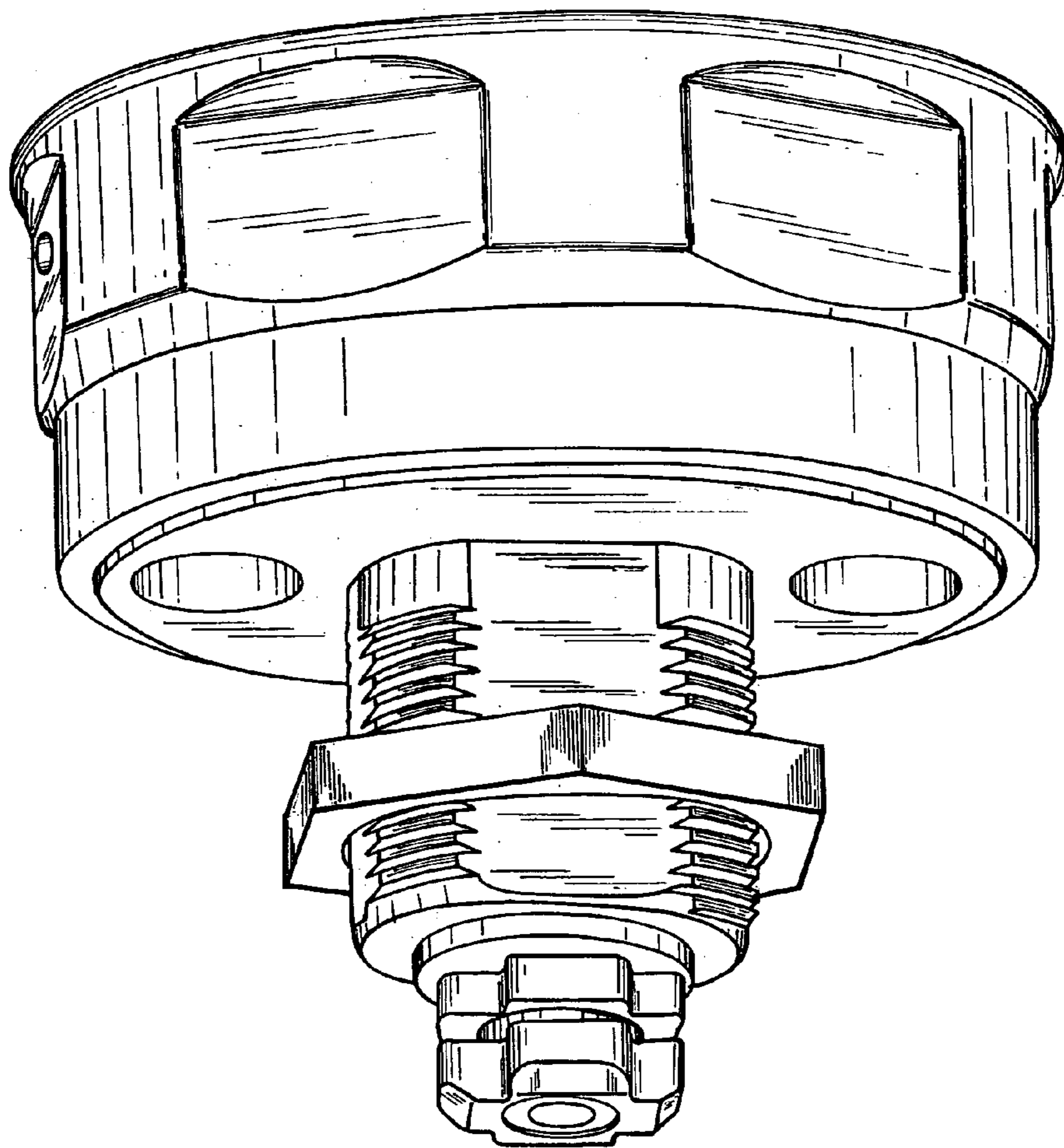


FIG. 5