



US00D556011S

(12) **United States Design Patent**
Bladen et al.

(10) **Patent No.:** **US D556,011 S**

(45) **Date of Patent:** **** Nov. 27, 2007**

(54) **TWO-TINE HINGE**

(76) Inventors: **Roy Victor Bladen**, Glenmore Road,
RD3, Albany (NZ); **Derek John**
Englefield, 20 Rangatira Avenue,
Auckland (NZ)

(**) Term: **14 Years**

(21) Appl. No.: **29/191,019**

(22) Filed: **Sep. 30, 2003**

(30) **Foreign Application Priority Data**

Apr. 3, 2003 (NZ) 403424

(51) **LOC (8) Cl.** **08-06**

(52) **U.S. Cl.** **D8/323**

(58) **Field of Classification Search** D8/323,
D8/324, 325, 326, 327, 328, 329, 349, 354,
D8/356; 16/234-237, 239, 241, 245-246,
16/249, 254, 261-262, 265, 272, 277, 307,
16/319, 335, 339, 342, 379, 382, 383, 384,
16/385-389, 391-392, 221, DIG. 13, DIG. 40,
16/DIG. 43; 4/236, 237, 238, 239, 240;
D23/303; 248/200, 221.11, 300, 309.1, 317
See application file for complete search history.

(56) **References Cited**

U.S. PATENT DOCUMENTS

1,648,249 A * 11/1927 Winters et al. 16/221
D75,537 S * 6/1928 Winters et al. D8/329
1,710,321 A * 4/1929 Roedding 16/389
1,832,902 A * 11/1931 Holbrook 16/392
D99,756 S * 5/1936 Atwood D8/323
3,231,929 A * 2/1966 Hiltunen et al. D8/323

3,252,179 A * 5/1966 Watson 16/389
D385,475 S * 10/1997 Bolinas et al. D8/328
D413,505 S * 9/1999 Perkins et al. D8/323
D418,736 S * 1/2000 Perkins et al. D8/328
6,070,294 A * 6/2000 Perkins et al. 16/382
6,704,966 B1 * 3/2004 Kao 16/382
D541,622 S * 5/2007 Bell et al. D8/323

* cited by examiner

Primary Examiner—T. Chase Nelson

(74) *Attorney, Agent, or Firm*—Christensen O'Connor
Johnson Kindness PLLC

(57) **CLAIM**

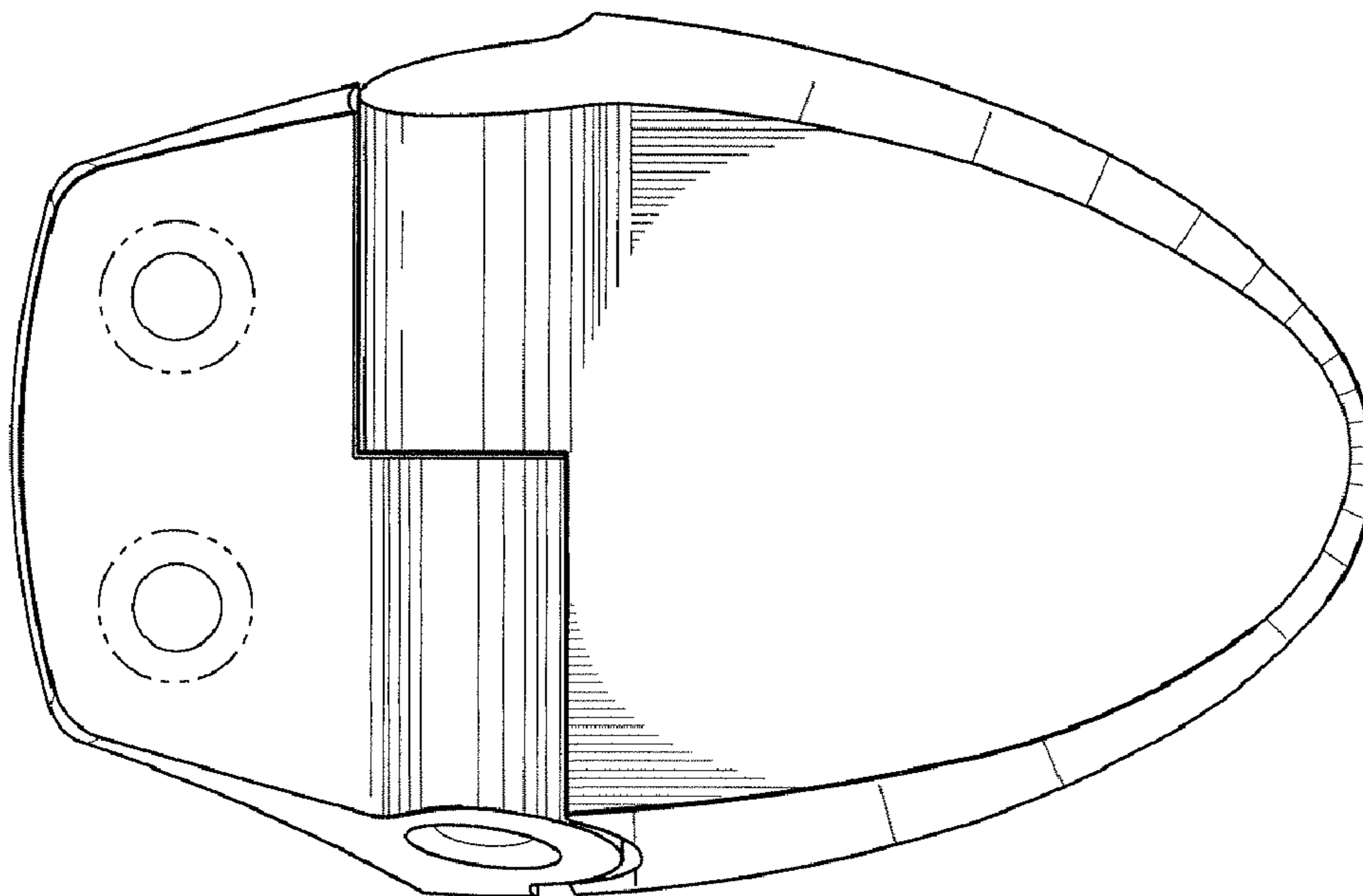
The ornamental design for a two-tine hinge, as shown.

DESCRIPTION

FIG. 1 is a top, planar view of a two-tine hinge;
FIG. 2 is a bottom, planar view of the two-tine hinge of FIG. 1;
FIG. 3 is a first side, planar view of the two-tine hinge of FIG. 1;
FIG. 4 is a second side, planar view of the two-tine hinge of FIG. 1;
FIG. 5 is a first end planar view of the two-tine hinge of FIG. 1; and,
FIG. 6 is a second end planar view of the two-tine hinge of FIG. 1.

The broken line depiction of portions of the two-tine hinge is for illustrative purposes only and forms no part of the claimed design.

1 Claim, 3 Drawing Sheets



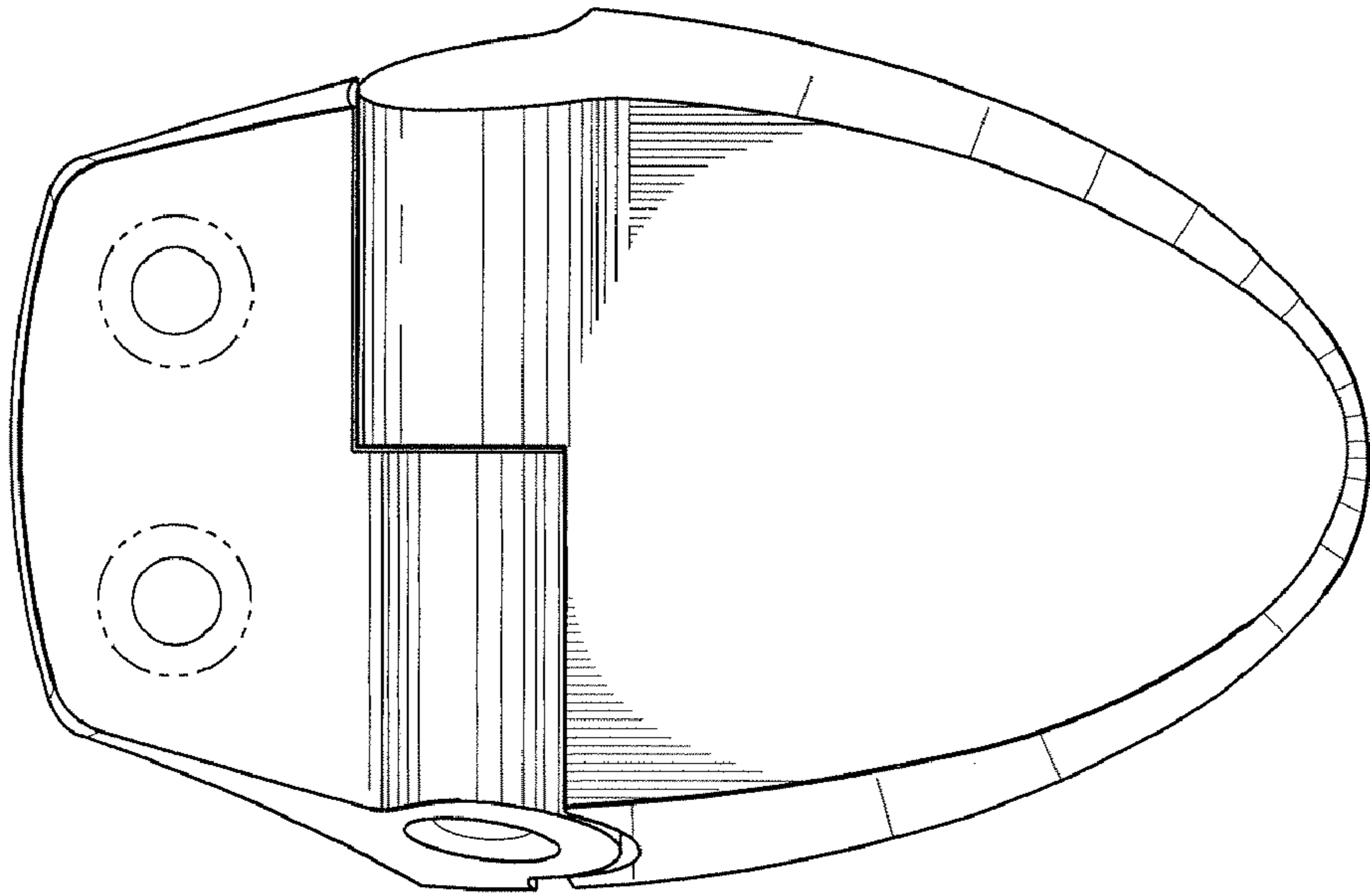


Fig. 1.

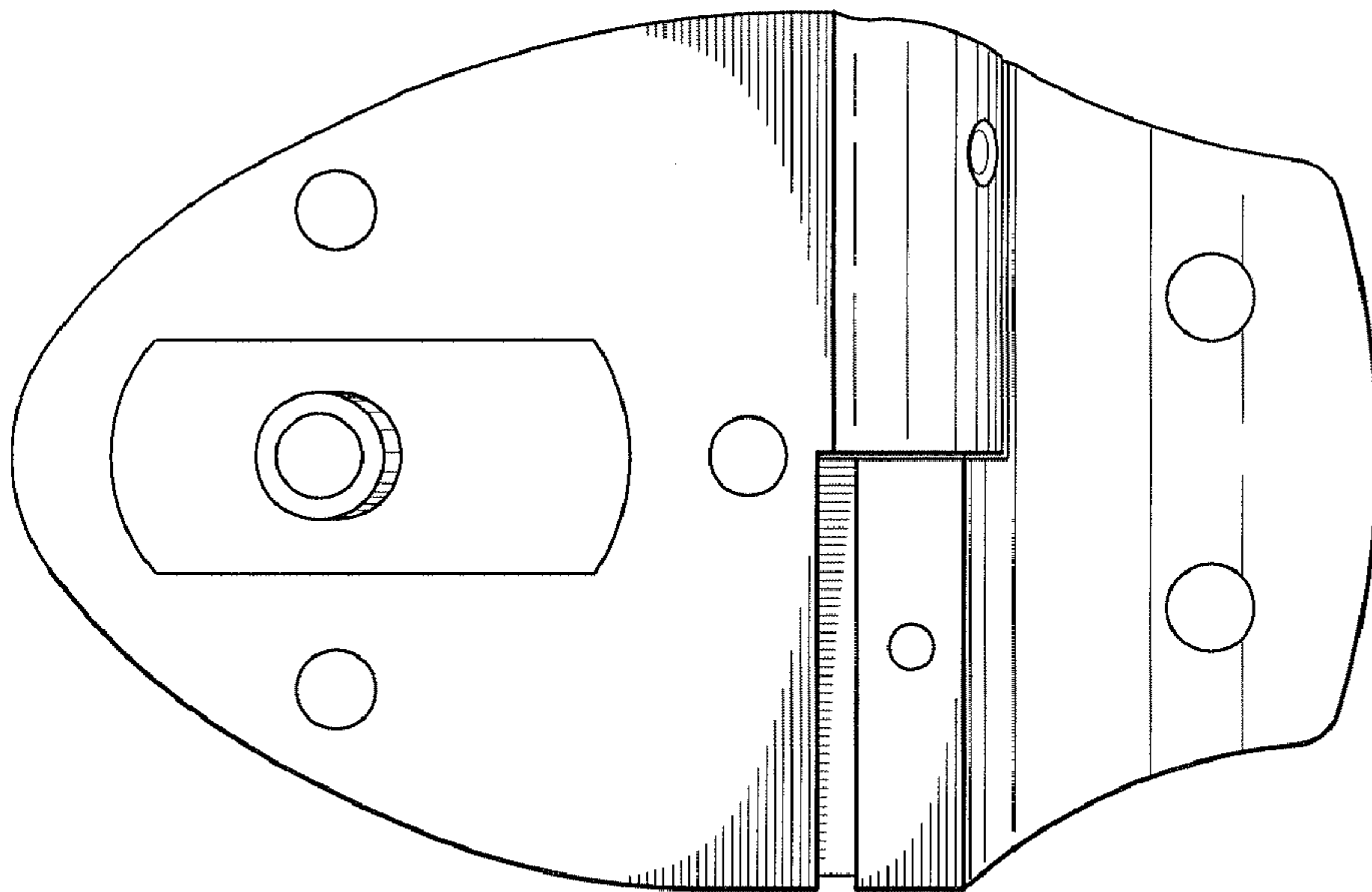


Fig. 2.

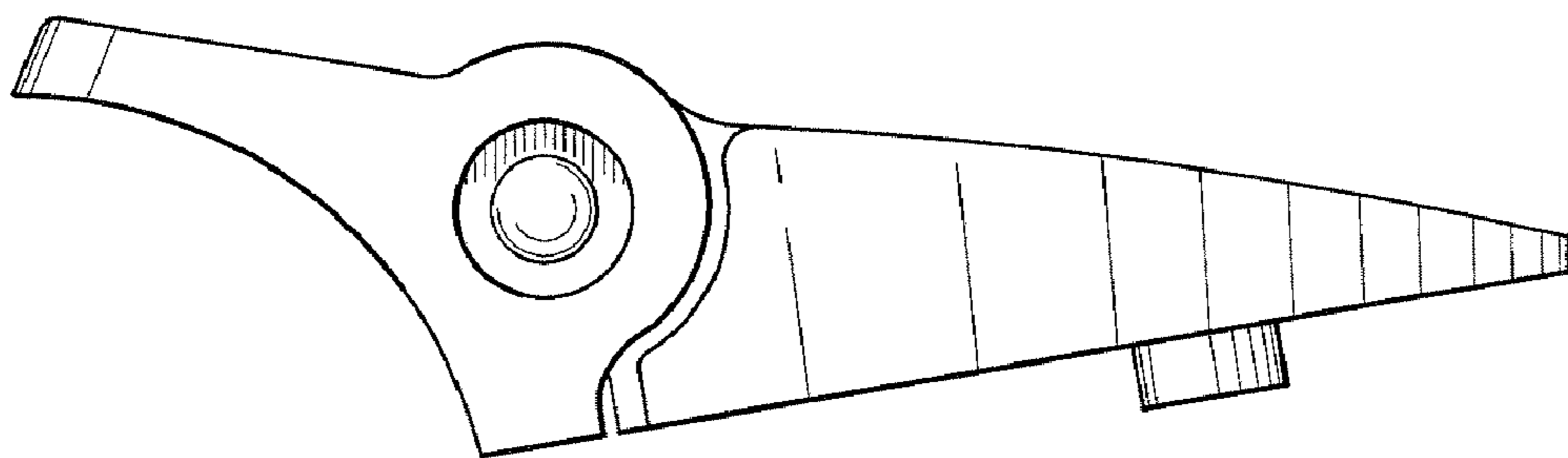


Fig. 3.

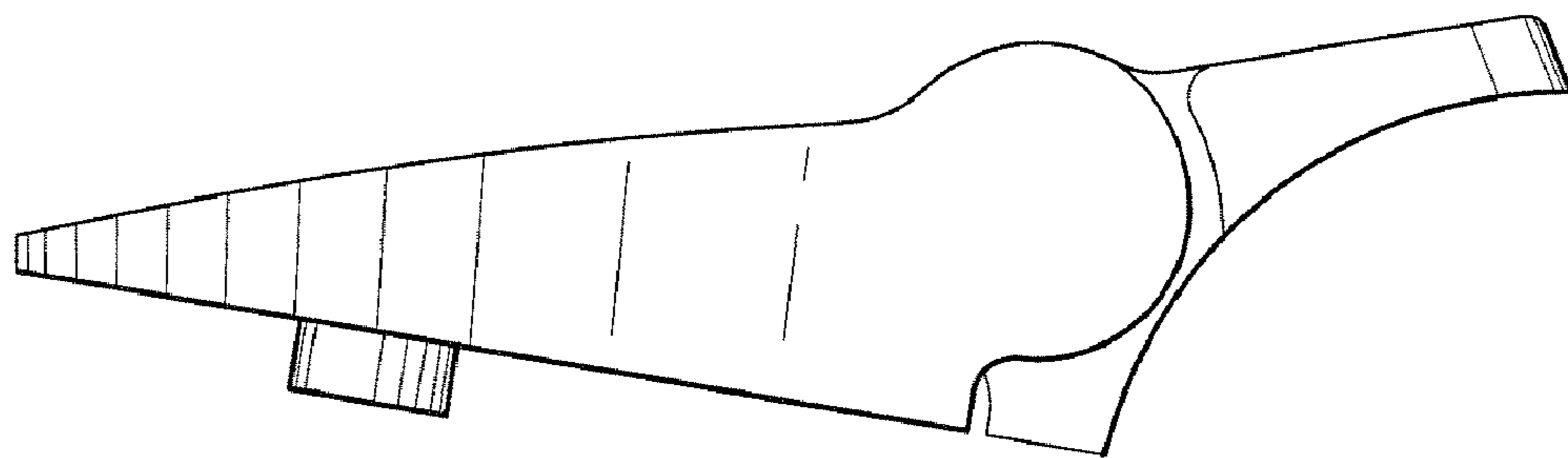


Fig. 4.

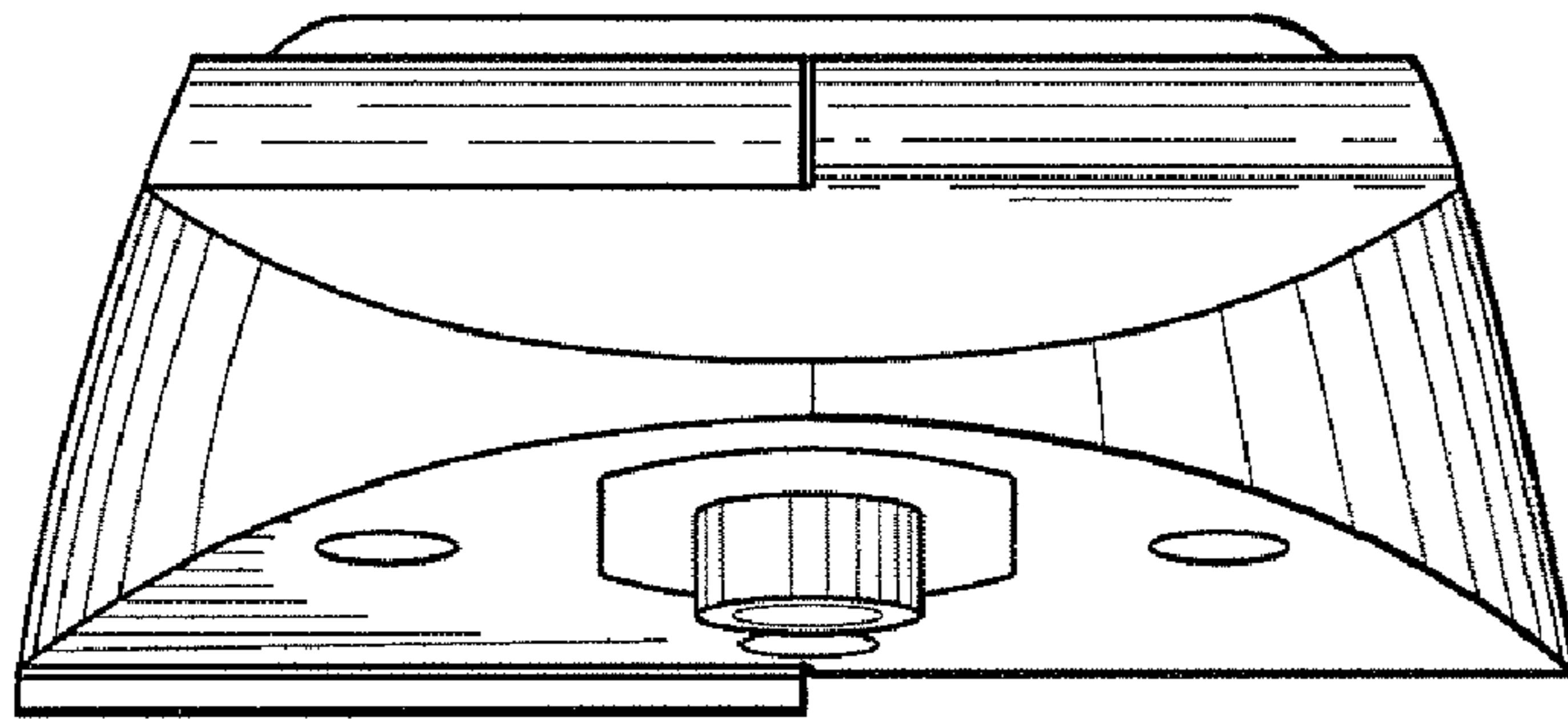


Fig. 5.

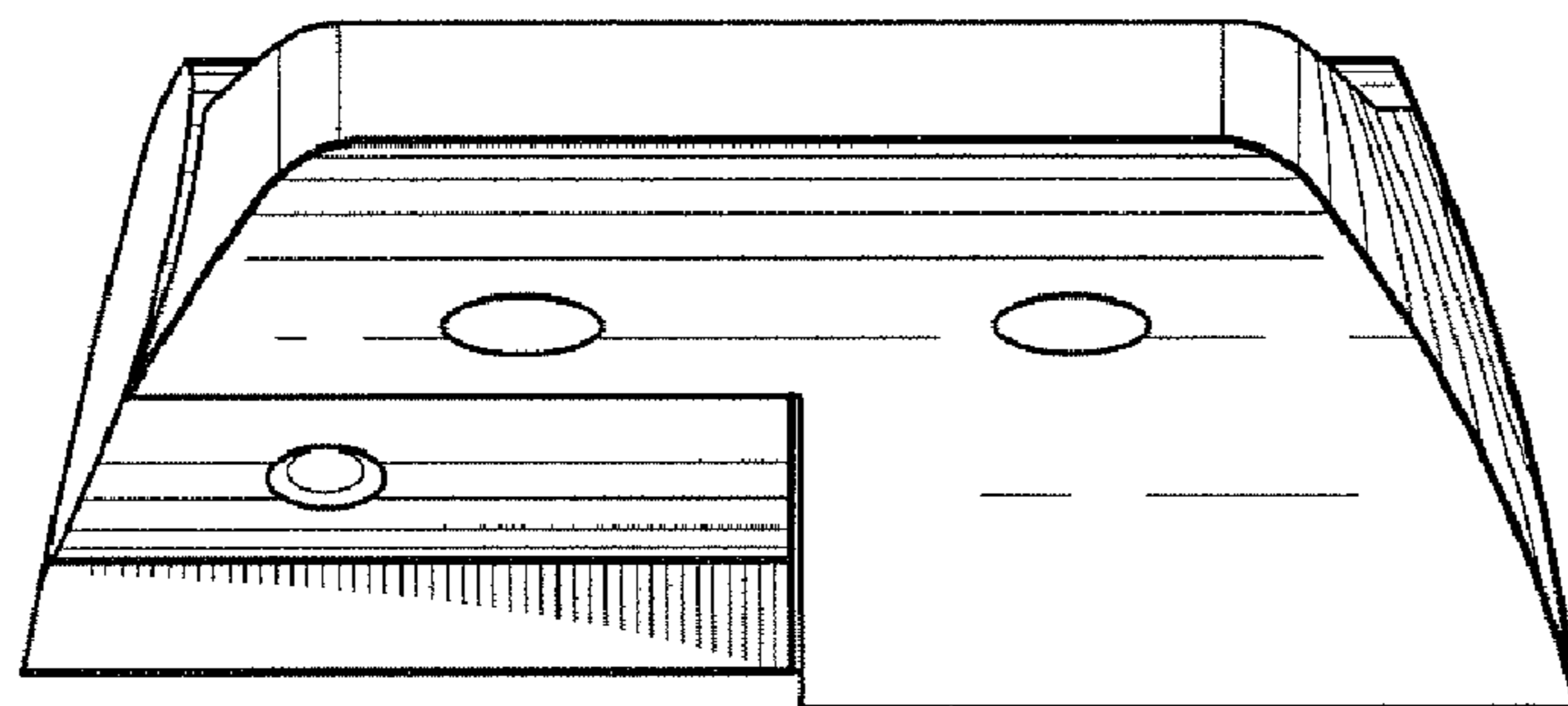


Fig. 6.