

US00D556010S

(12) **United States Design Patent**  
**Hsui et al.**

(10) **Patent No.:** **US D556,010 S**

(45) **Date of Patent:** **\*\* Nov. 27, 2007**

(54) **HANDLE**

(75) Inventors: **Ken Hsui**, Taichung (TW); **Aaron Chu**,  
Taichung (TW)

(73) Assignee: **Globe Union Industrial Corp.**,  
Taichung (TW)

(\*\*) Term: **14 Years**

(21) Appl. No.: **29/247,922**

(22) Filed: **Jul. 20, 2006**

(51) **LOC (8) Cl.** ..... **08-06**

(52) **U.S. Cl.** ..... **D8/308**

(58) **Field of Classification Search** ..... D8/300,  
D8/307-308, 310, 316, 319-320, DIG. 10;  
4/675-678; D23/250-257; 292/347, 356,  
292/357; 16/110.1; 74/519, 543  
See application file for complete search history.

(56) **References Cited**

U.S. PATENT DOCUMENTS

- D290,496 S \* 6/1987 Ryan ..... D23/252
- D365,384 S \* 12/1995 Robbins ..... D23/252
- D407,143 S \* 3/1999 Hyde et al. .... D23/252
- D460,807 S \* 7/2002 Singtoroj ..... D23/252

- D475,767 S \* 6/2003 Yegyayan et al. .... D23/252
- D477,860 S \* 7/2003 Singtoroj ..... D23/252
- D495,402 S \* 8/2004 Spiegelberg et al. .... D23/252
- D517,174 S \* 3/2006 Singtoroj ..... D23/252
- D523,935 S \* 6/2006 Schaffeld et al. .... D23/252
- D541,620 S \* 5/2007 Roberts, III ..... D8/308

\* cited by examiner

*Primary Examiner*—Paula A. Greene

(74) *Attorney, Agent, or Firm*—Leong C. Lei

(57) **CLAIM**

The ornamental design for a handle, as shown and described.

**DESCRIPTION**

FIG. 1 is a perspective view of a handle showing my new design;

FIG. 2 is a front elevational view thereof;

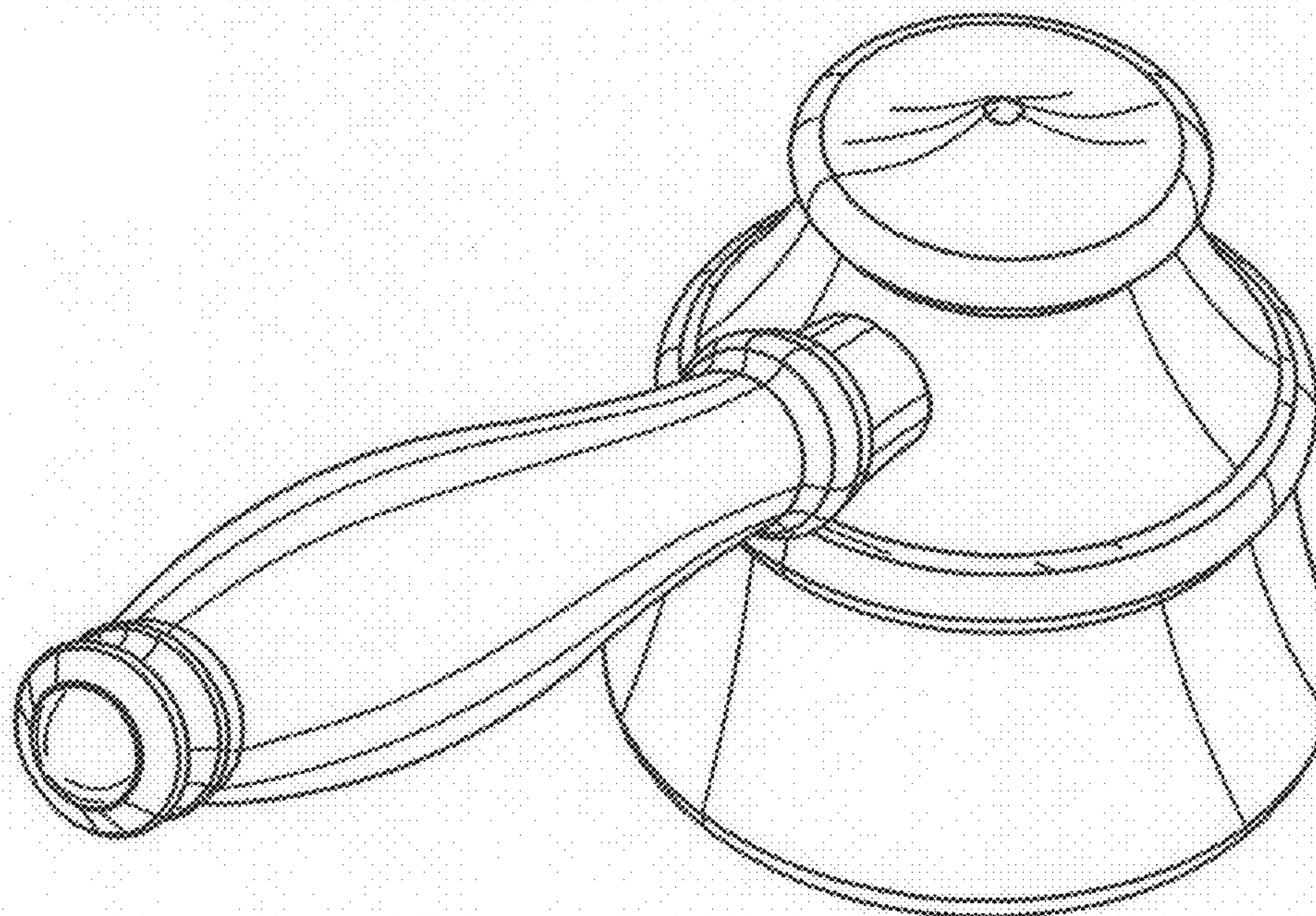
FIG. 3 is a rear elevational view thereof;

FIG. 4 is a left side elevational view thereof;

FIG. 5 is a right side elevational view thereof; and,

FIG. 6 is a top plan view thereof, the undisclosed bottom is not part of the claimed design.

**1 Claim, 4 Drawing Sheets**



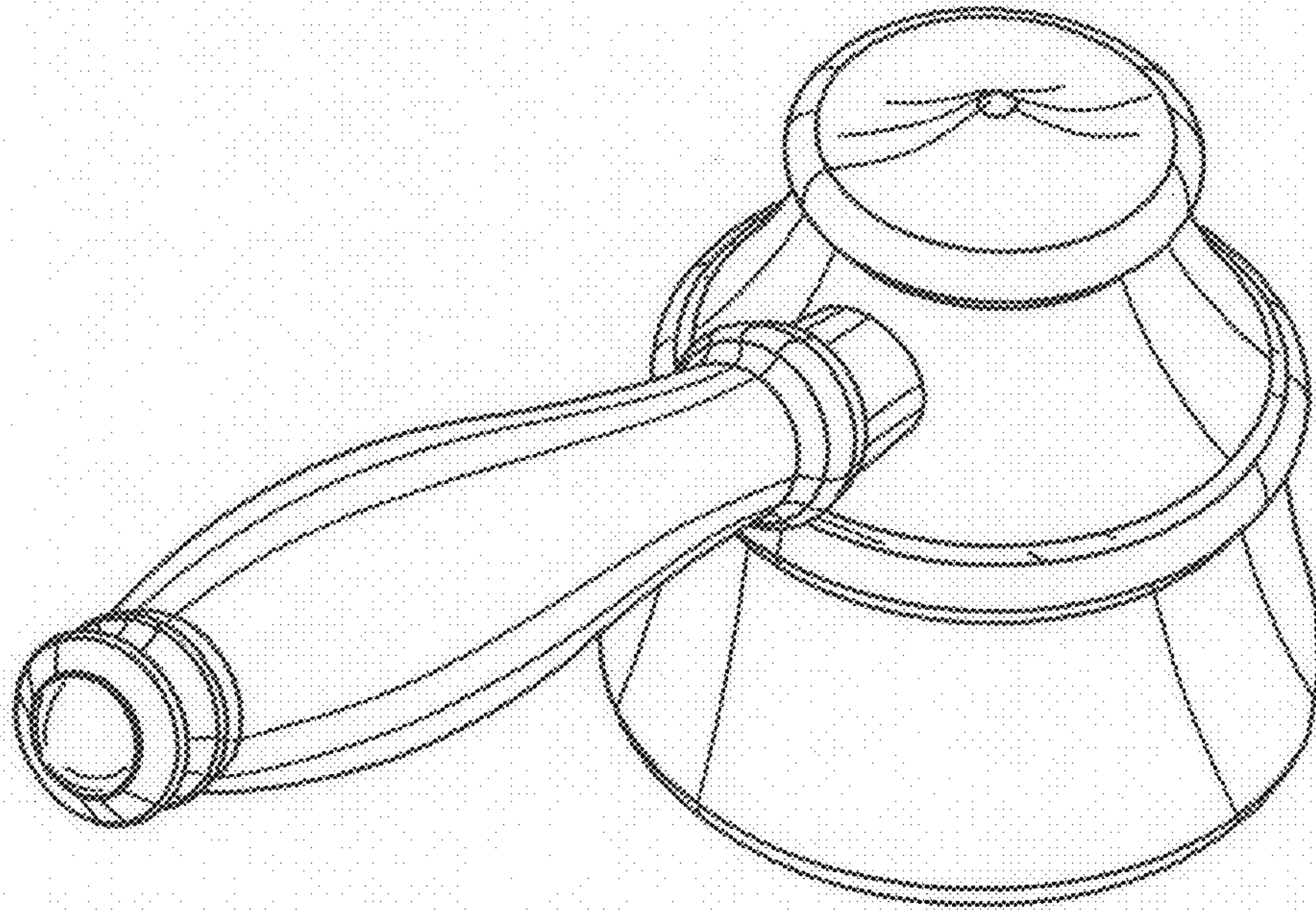


FIG. 1



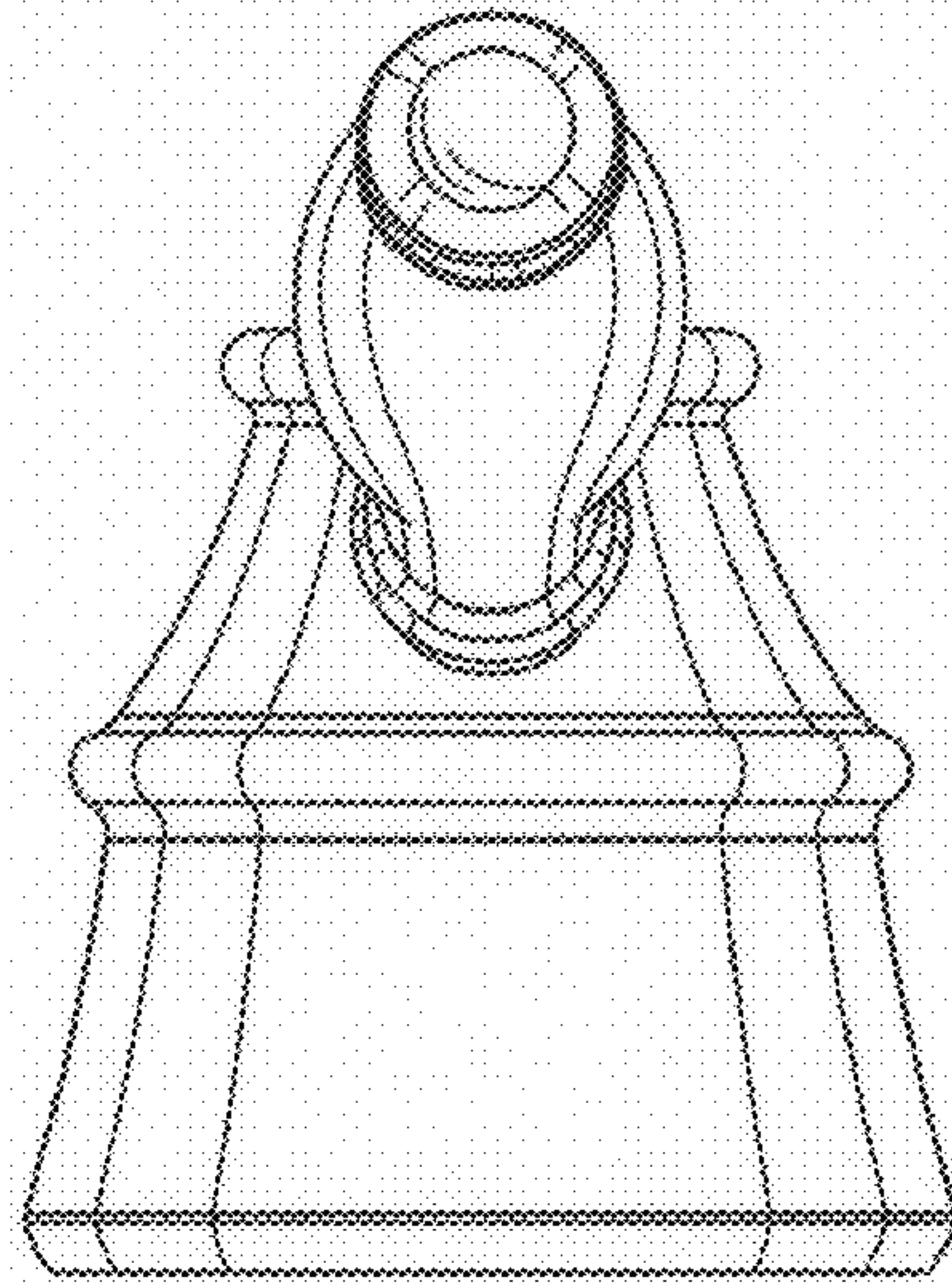


FIG. 2

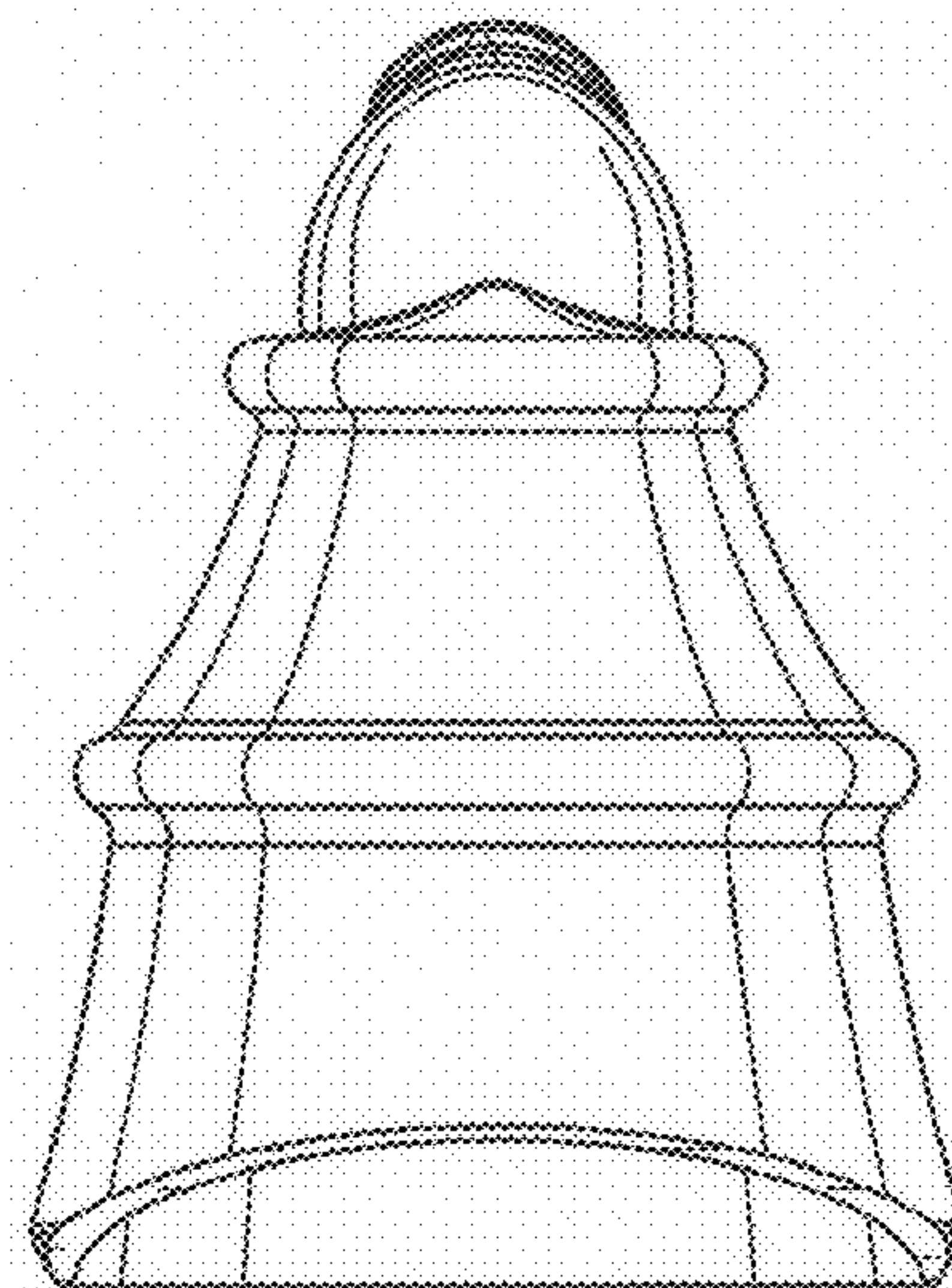


FIG. 3

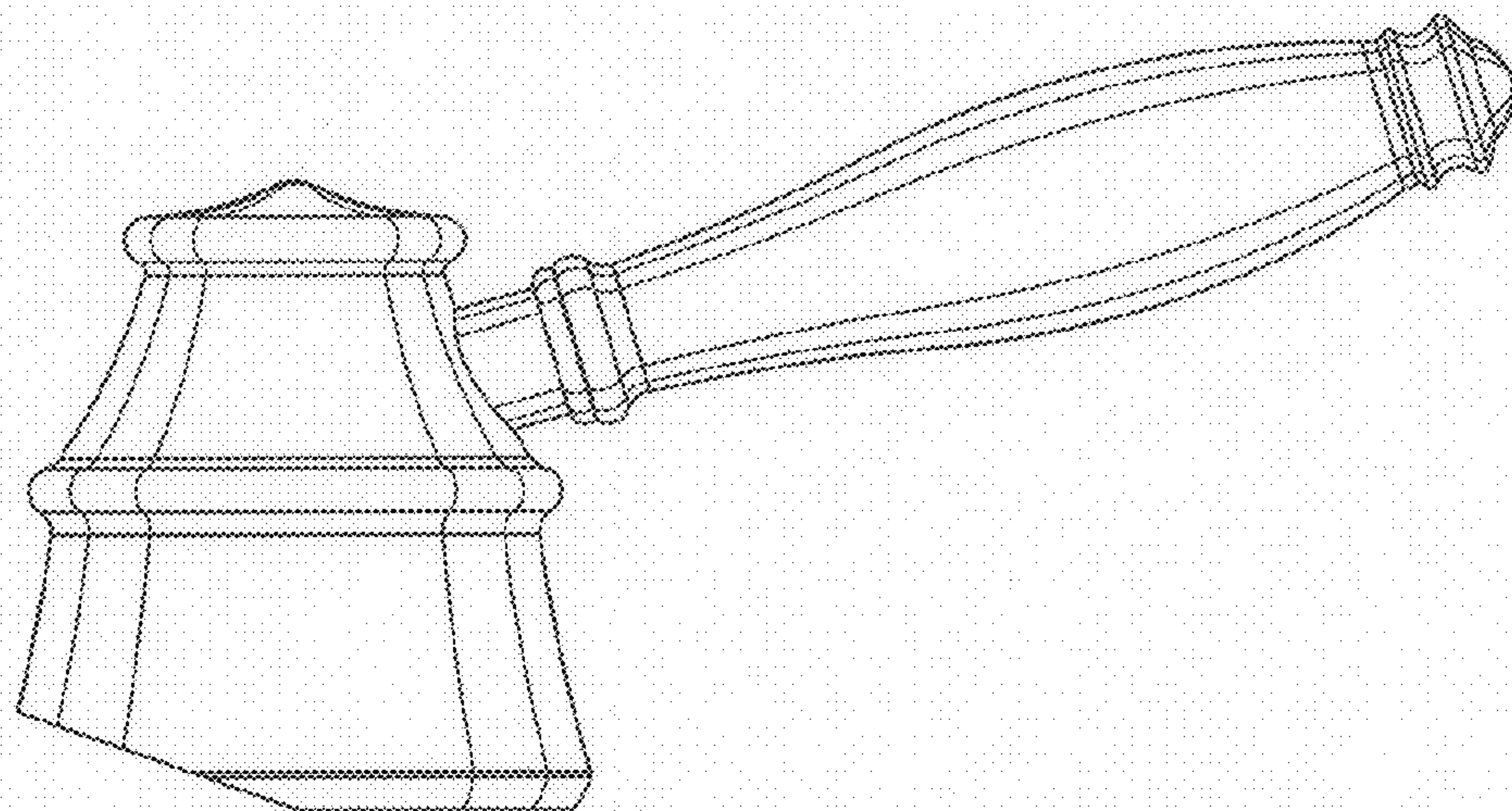


FIG. 4

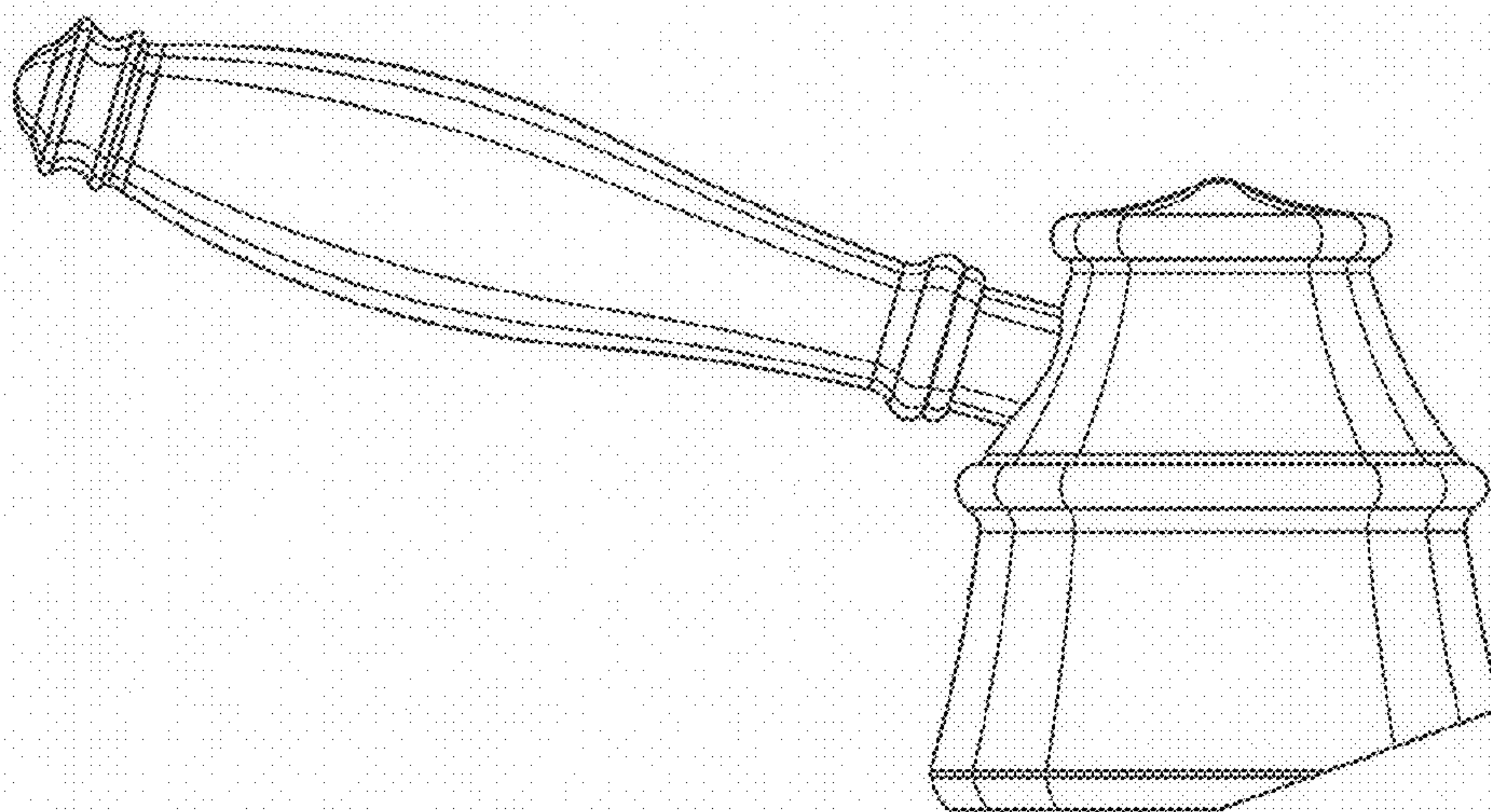


FIG. 5



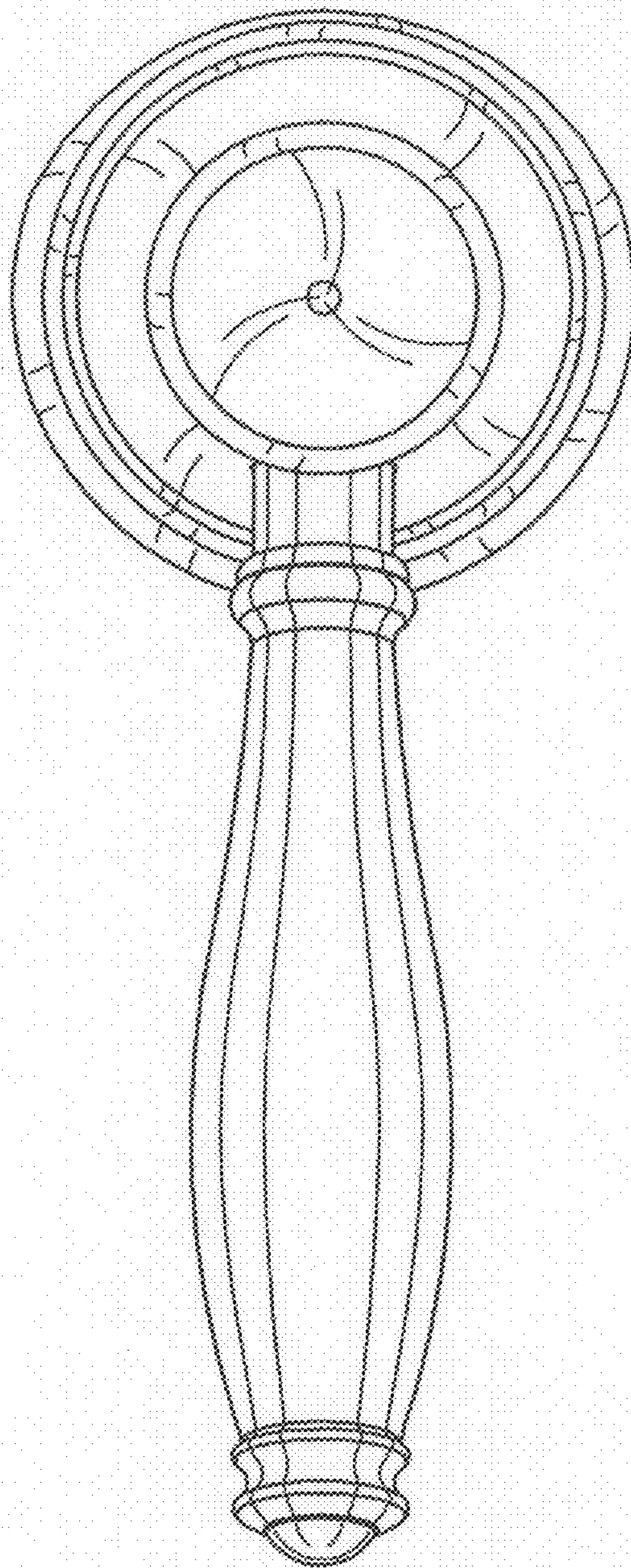


FIG. 6