



US00D556008S

(12) **United States Design Patent**  
**Kerr**

(10) **Patent No.:** **US D556,008 S**

(45) **Date of Patent:** **\*\* Nov. 27, 2007**

(54) **HANDLE**

(75) Inventor: **Peter Robert Kerr**, Turrella (AU)

(73) Assignee: **MacNaught Pty Ltd**, New South Wales (AU)

(\*\*) Term: **14 Years**

(21) Appl. No.: **29/266,340**

(22) Filed: **Sep. 19, 2006**

(30) **Foreign Application Priority Data**

May 22, 2006 (AU) ..... 12249/2006

(51) **LOC (8) Cl.** ..... **08-05**

(52) **U.S. Cl.** ..... **D8/107; D23/223**

(58) **Field of Classification Search** ..... D8/14.1,  
D8/107; D23/211, 213, 223, 226; 16/110.1,  
16/404, 422; 222/23

See application file for complete search history.

(56) **References Cited**

U.S. PATENT DOCUMENTS

- D219,214 S \* 11/1970 Eklund ..... D23/226
- D223,915 S \* 6/1972 Brown et al. .... D23/226
- D252,097 S \* 6/1979 Probst et al. .... D23/226
- 4,541,568 A \* 9/1985 Lichfield ..... 239/441
- 4,651,929 A \* 3/1987 Kranzle ..... 239/288
- D376,838 S \* 12/1996 Potts et al. .... D23/223
- D387,414 S \* 12/1997 Kieffer et al. .... D23/223
- D432,209 S \* 10/2000 Jou ..... D23/226
- 6,783,028 B1 \* 8/2004 Ambrose et al. .... 222/23
- D498,817 S \* 11/2004 Amaduzzi ..... D23/226
- D499,791 S \* 12/2004 Etter ..... D23/226

- D501,536 S \* 2/2005 Amaduzzi ..... D23/226
- D516,673 S \* 3/2006 Chisholm et al. .... D23/226
- D518,556 S \* 4/2006 Amaduzzi ..... D23/226

OTHER PUBLICATIONS

MacNaught Pty Ltd, catalog page, 1998, Sydney, Australia.  
 MacNaught Pty Ltd, Macnaught Lubrication & Greasing Equip-  
 ment, catalog, Jun., 2006, pp. 6-8, 11-14, 15, 17, 22, 23, 25, 37, 38,  
 65, NA180 Issue 4A, Sydney, Australia.  
 PIUSI S.p.A., website, Dec. 4, 2006.  
 MacNaught Pty Ltd, MacNaught Lubrication & Greasing Equip-  
 ment, catalog, 2004, pp. 6-15, 19-20, 31-32, 61, 66-67, NA180 Issue  
 3A, Sydney, Australia.

\* cited by examiner

*Primary Examiner*—Cathron C. Brooks

*Assistant Examiner*—Barbara Fox

(74) *Attorney, Agent, or Firm*—King & Schickli, PLLC

(57) **CLAIM**

The ornamental design for a handle, as shown and described.

**DESCRIPTION**

FIG. 1 is a perspective view of a handle of the present invention;

FIG. 2 is a second perspective view thereof;

FIG. 3 is a front elevation view thereof;

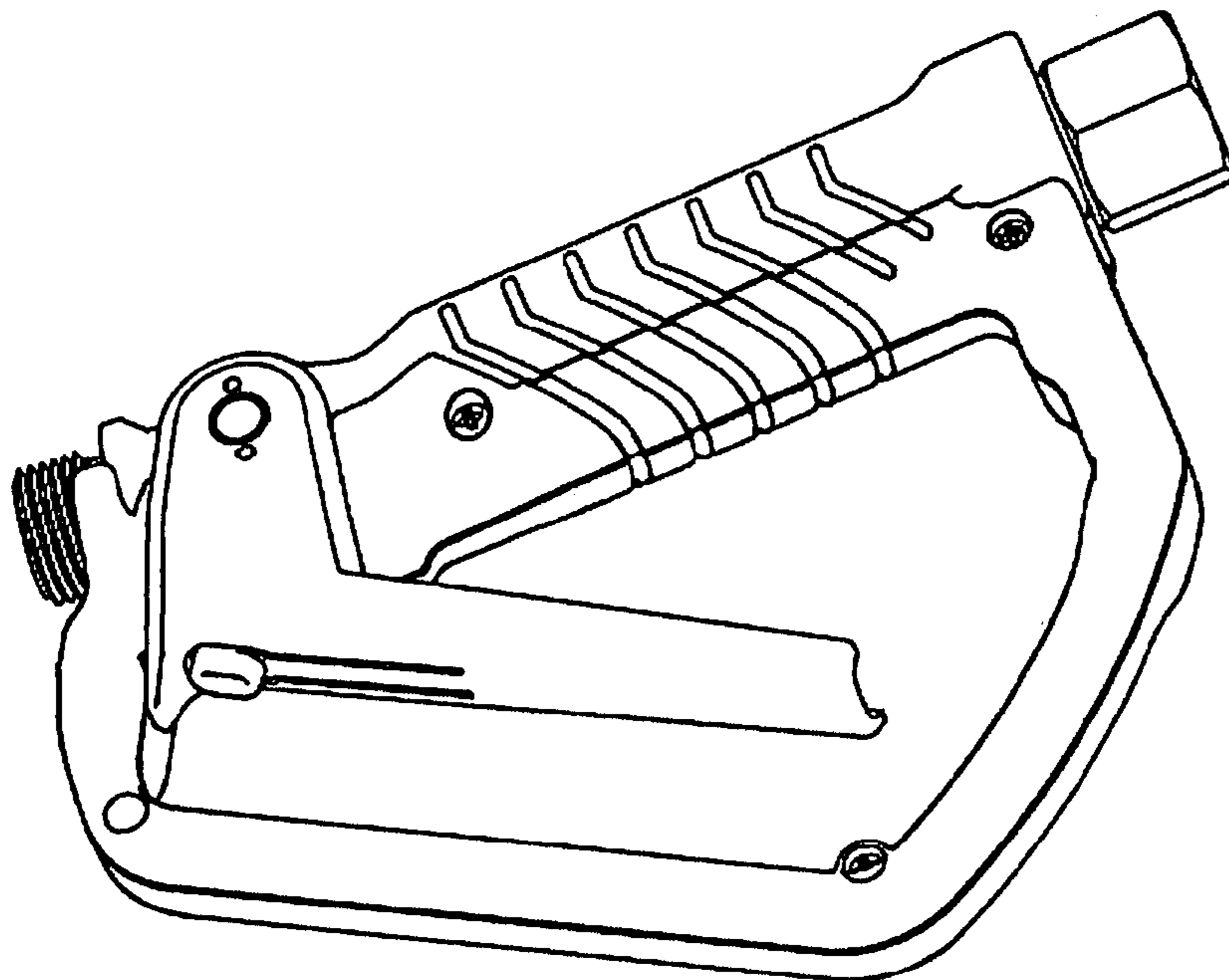
FIG. 4 is a top plan view thereof;

FIG. 5 is a side elevation view thereof;

FIG. 6 is a bottom plan view thereof; and,

FIG. 7 is a rear elevation view thereof.

**1 Claim, 2 Drawing Sheets**



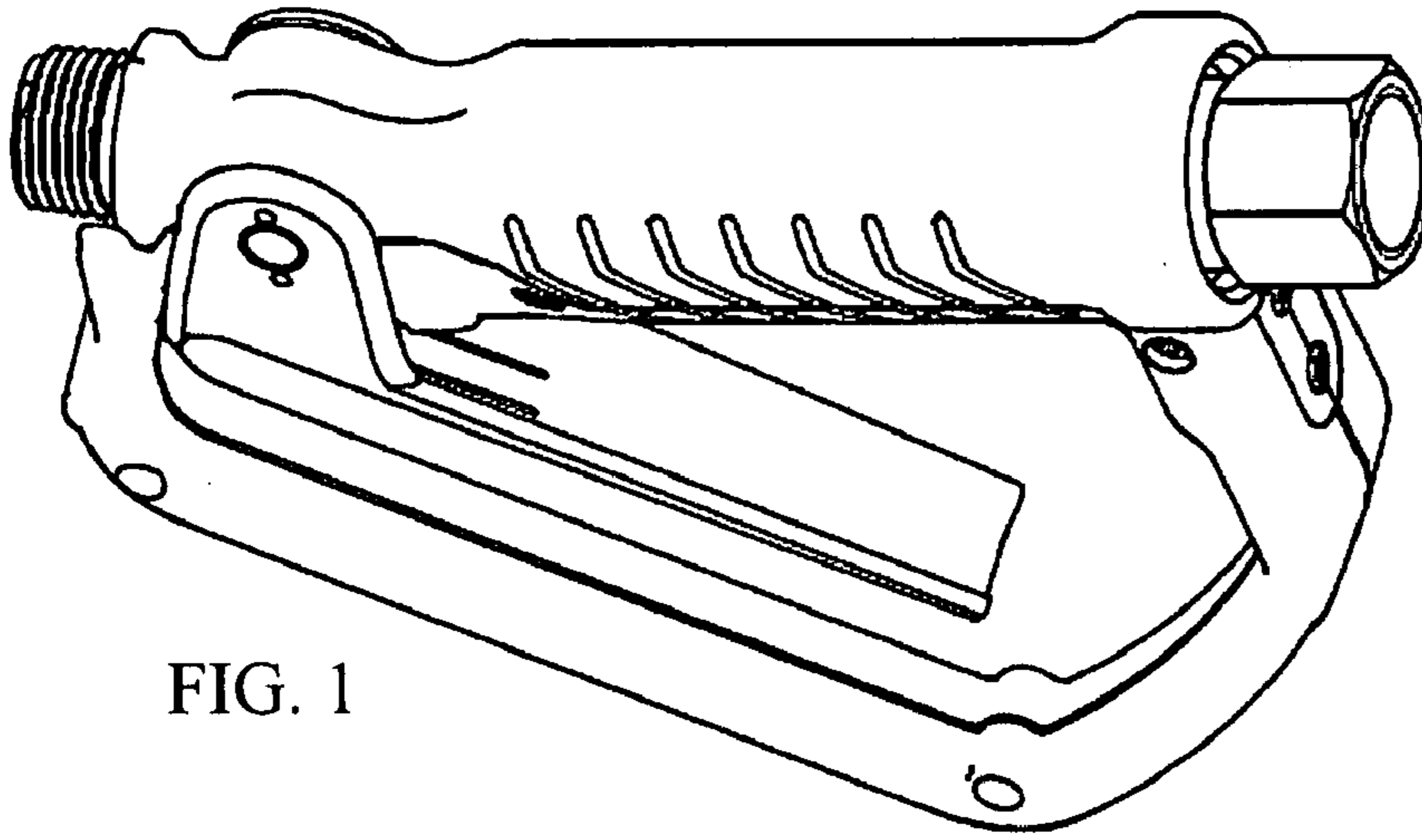


FIG. 1

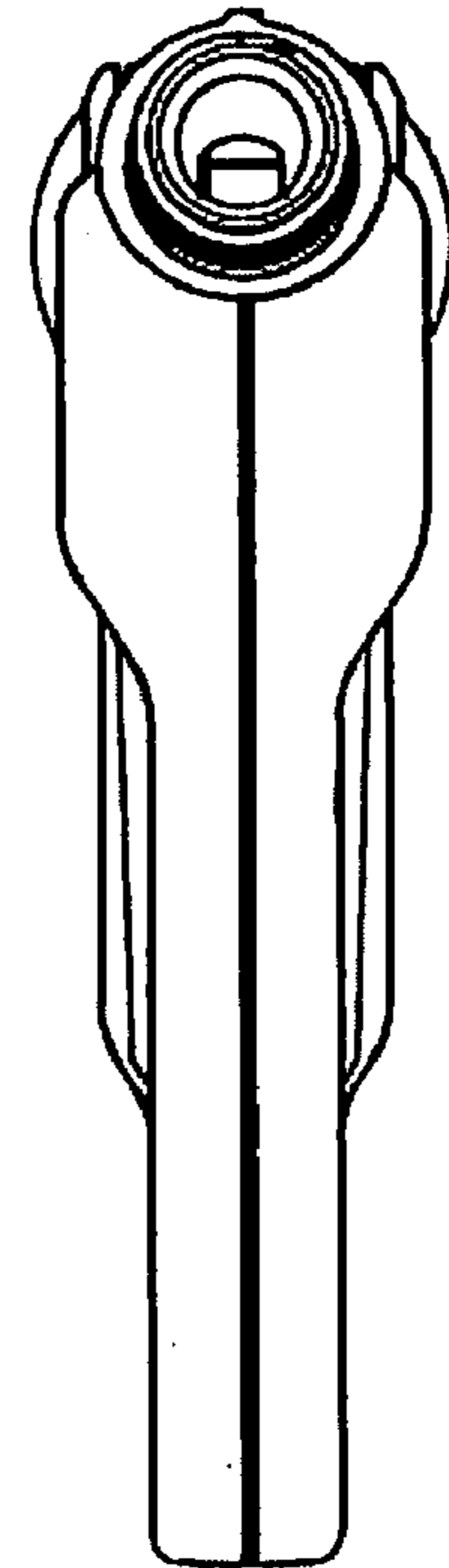


FIG. 3

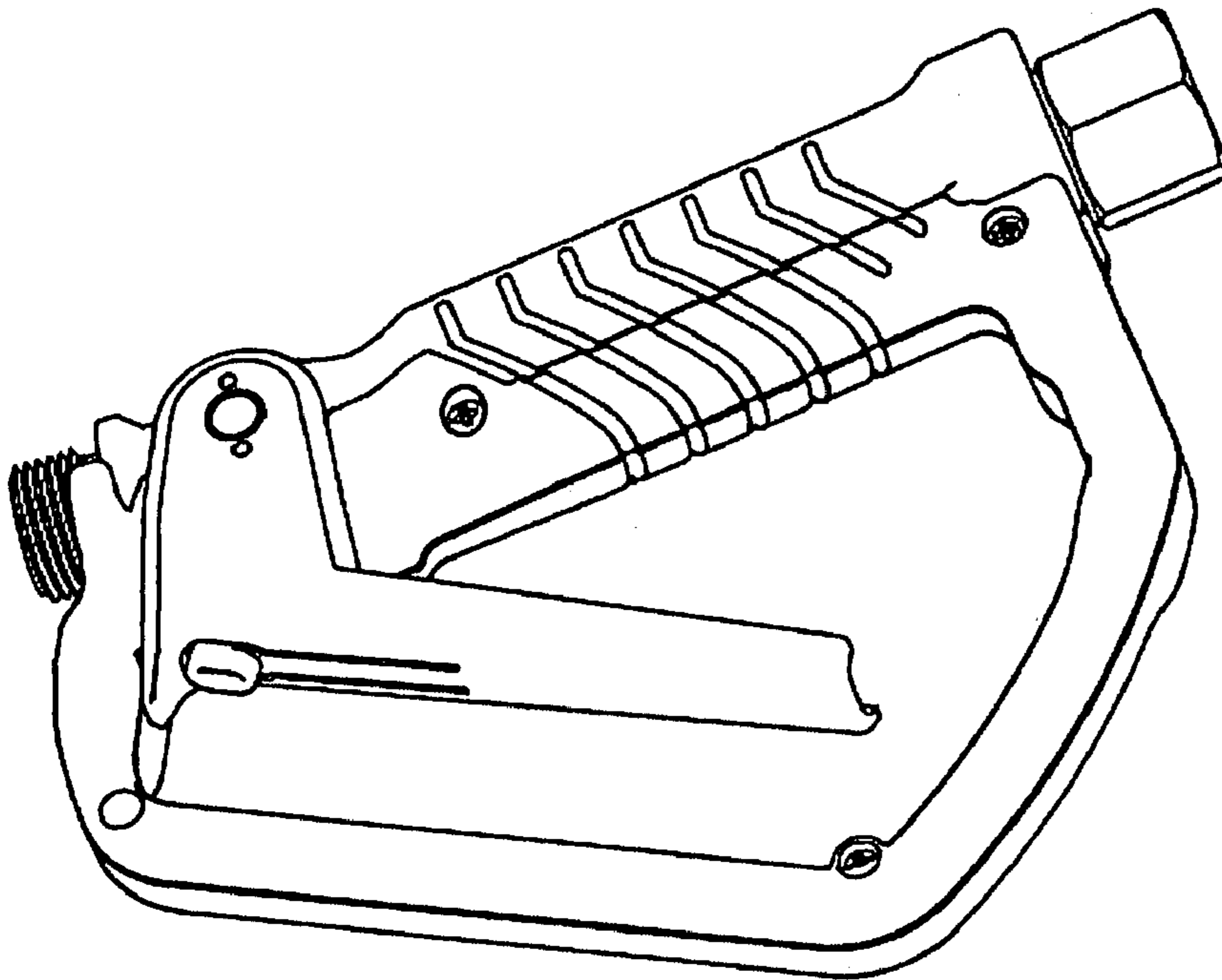


FIG. 2

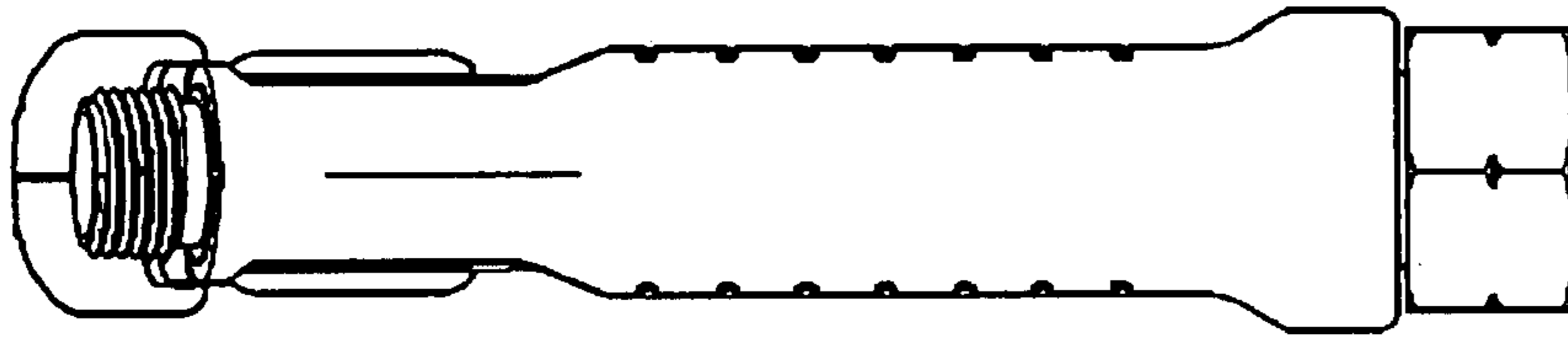


FIG. 4

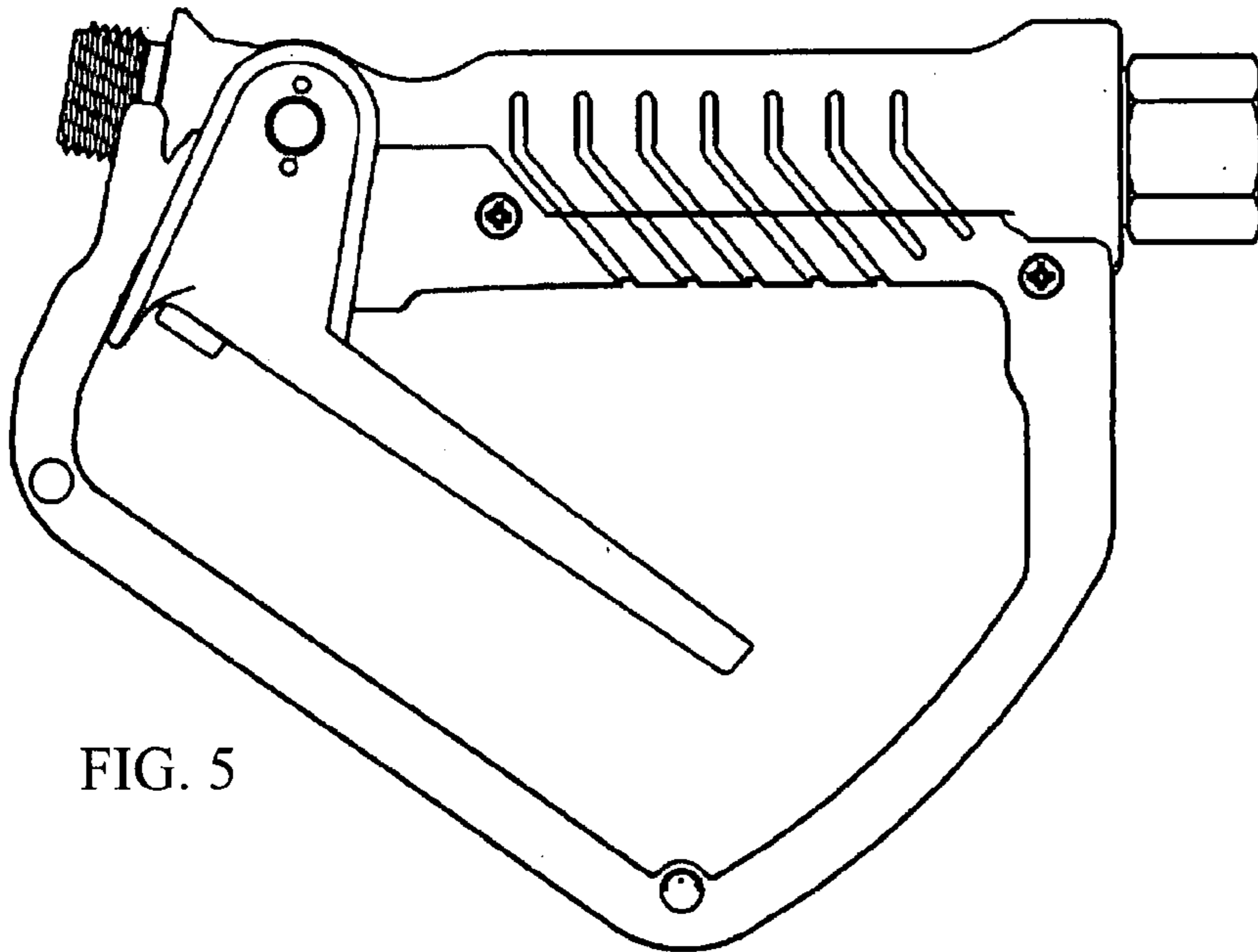


FIG. 5

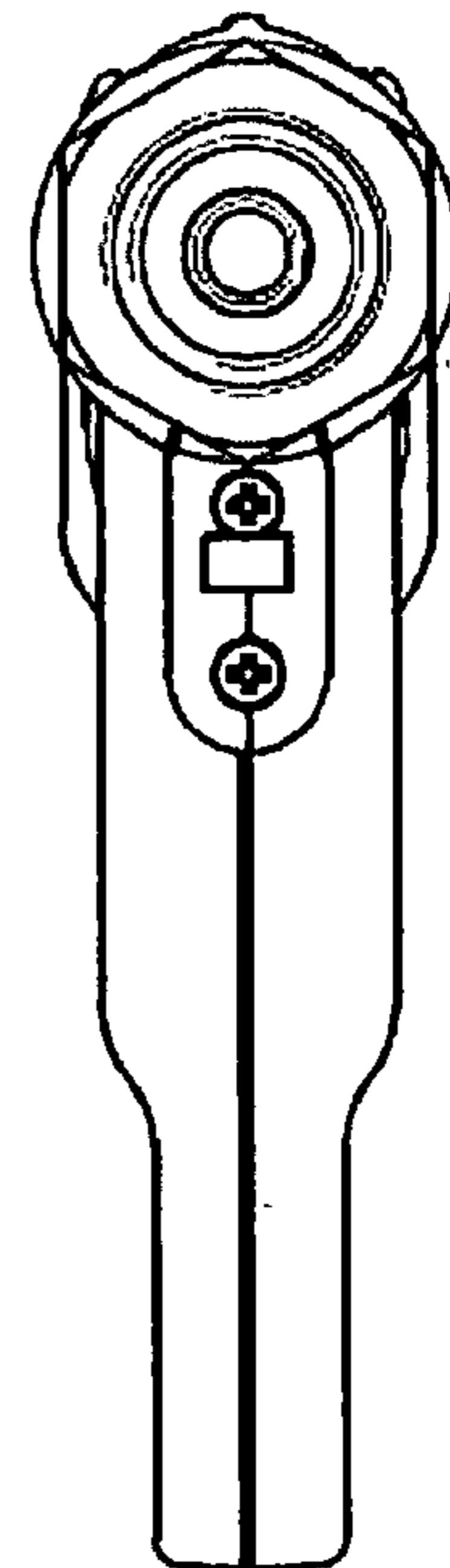


FIG. 7

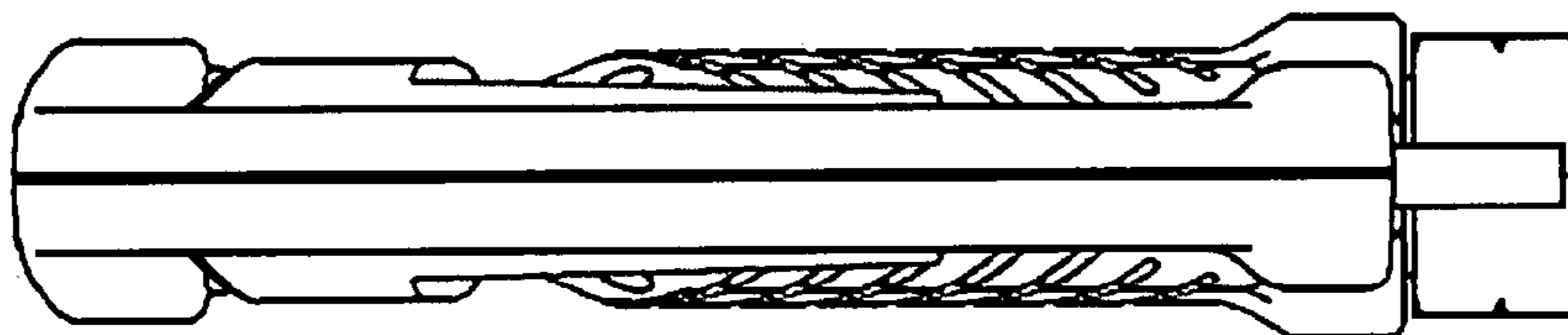


FIG. 6