



US00D556007S

(12) **United States Design Patent**
Hung

(10) **Patent No.:** **US D556,007 S**

(45) **Date of Patent:** **** Nov. 27, 2007**

(54) **HANDLE FOR ROTARY RATCHET TOOL**

(76) Inventor: **Cheng Ching Hung**, No. 101, Lane 785, Jiadong St., Fenyuan Township, Changhua County 502 (TW)

(**) Term: **14 Years**

(21) Appl. No.: **29/261,400**

(22) Filed: **Jun. 14, 2006**

(51) **LOC (8) Cl.** **08-05**

(52) **U.S. Cl.** **D8/107**

(58) **Field of Classification Search** D8/14, D8/21, 83, 107; 81/489; 16/110.1
See application file for complete search history.

(56) **References Cited**

U.S. PATENT DOCUMENTS

4,791,837	A *	12/1988	Main	81/63.1
5,005,448	A *	4/1991	Main	81/63
D324,630	S *	3/1992	Moeller	D8/21
D329,178	S *	9/1992	Ackerman	D8/21
5,475,895	A *	12/1995	Gain	16/421
D415,664	S *	10/1999	Rapoport et al.	D8/21
D520,856	S *	5/2006	Osiecki et al.	D8/312
D524,613	S *	7/2006	Chen	D8/25

* cited by examiner

Primary Examiner—Alan P. Douglas

Assistant Examiner—Barbara Fox

(74) *Attorney, Agent, or Firm*—Rosenberg, Klein & Lee

(57) **CLAIM**

The ornamental design for a handle for rotary ratchet tool, as shown and described.

DESCRIPTION

FIG. 1 is a perspective view of a handle for rotary ratchet tool showing my new design;

FIG. 2 is a front elevational view thereof;

FIG. 3 is a rear elevational view thereof;

FIG. 4 is a left side view thereof;

FIG. 5 is a right side view thereof;

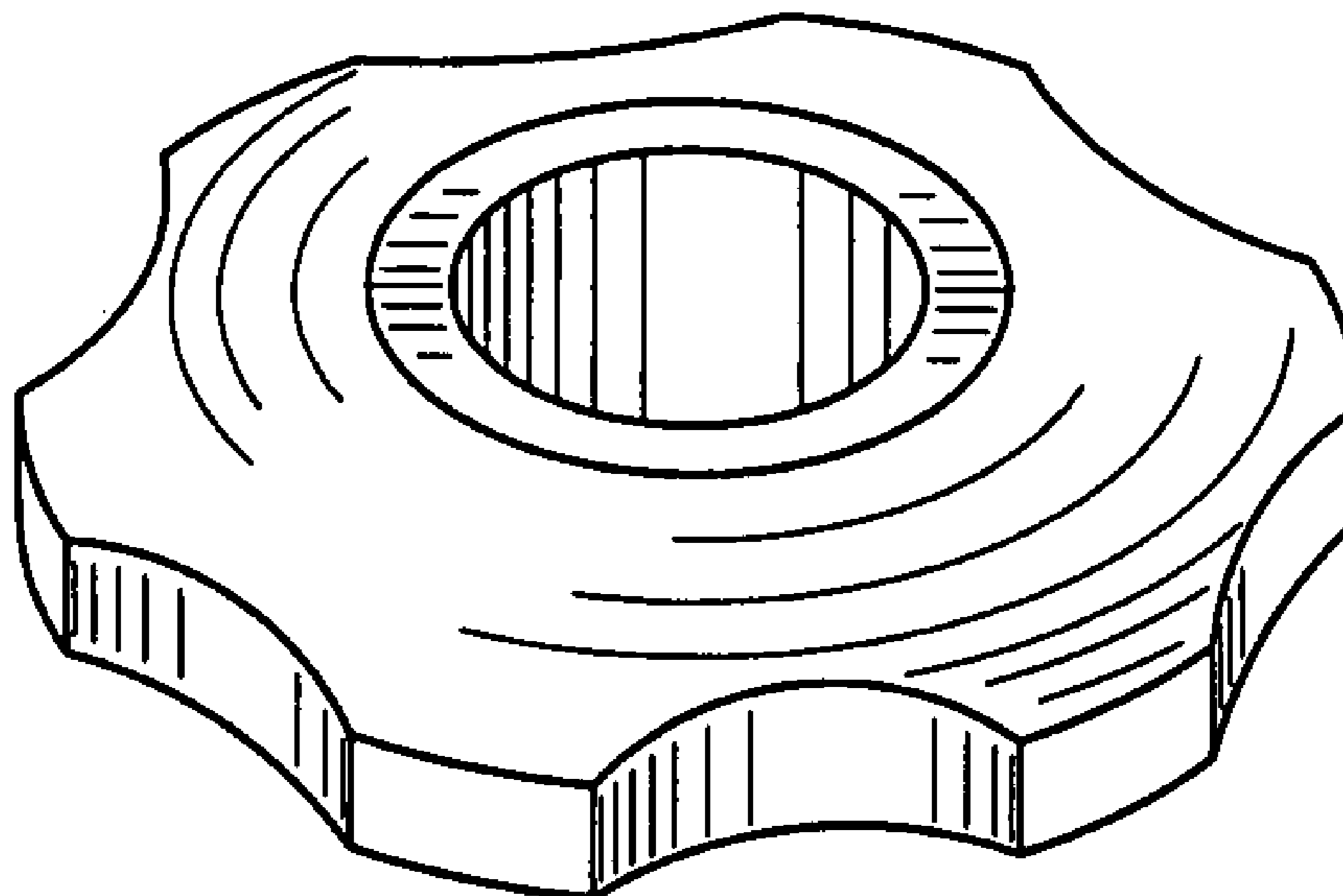
FIG. 6 is a top plain view thereof;

FIG. 7 is a bottom plain view thereof; and,

FIG. 8 is a perspective view showing an application thereof.

The broken line showing of the handle for rotary ratchet tool is included for the purpose of illustrating environmental structure and forms no part of the claimed design.

1 Claim, 5 Drawing Sheets



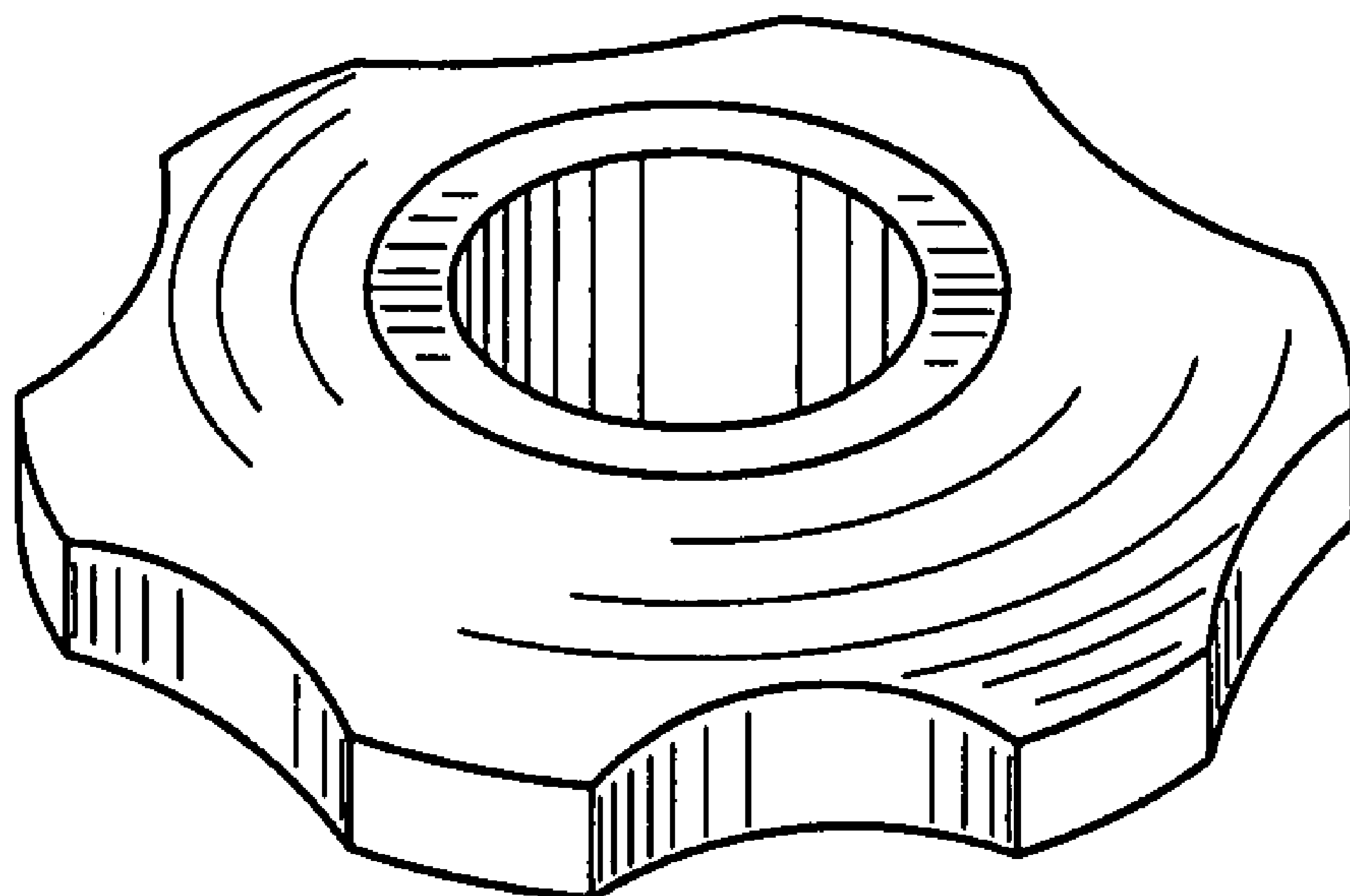


FIG. 1

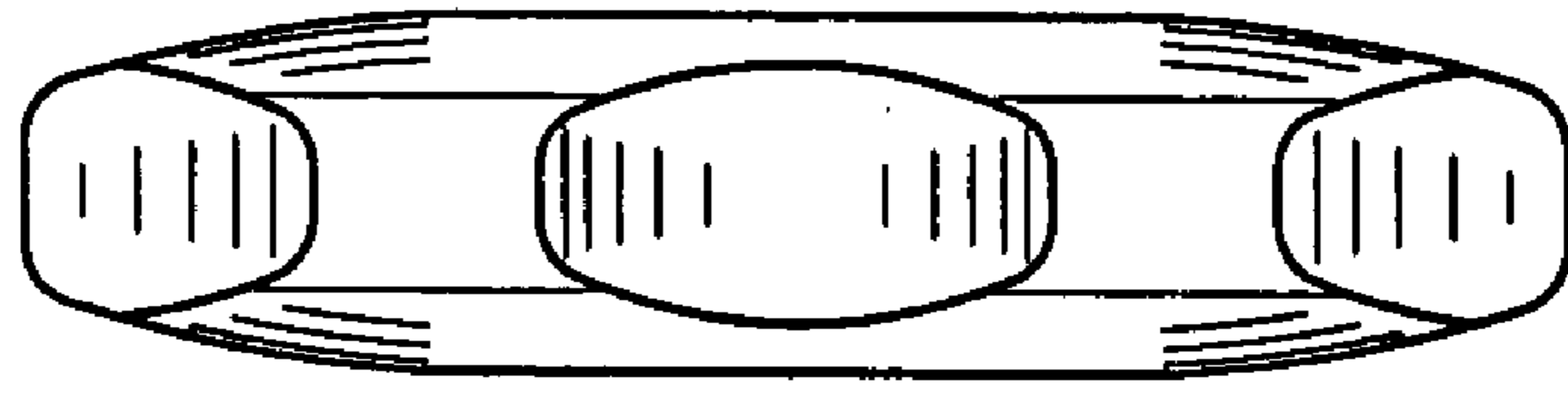


FIG. 2

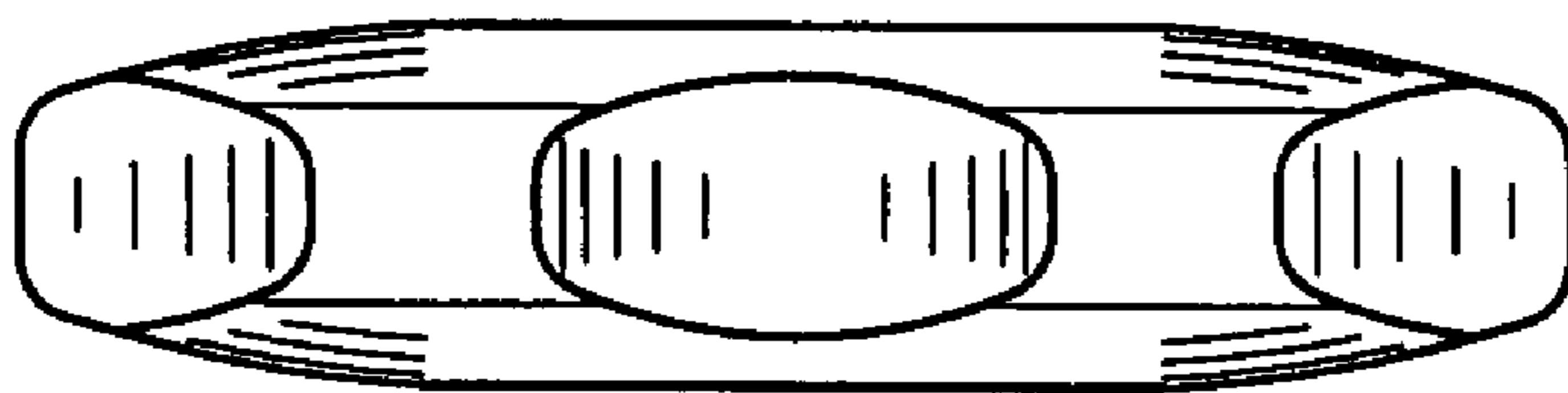


FIG. 3

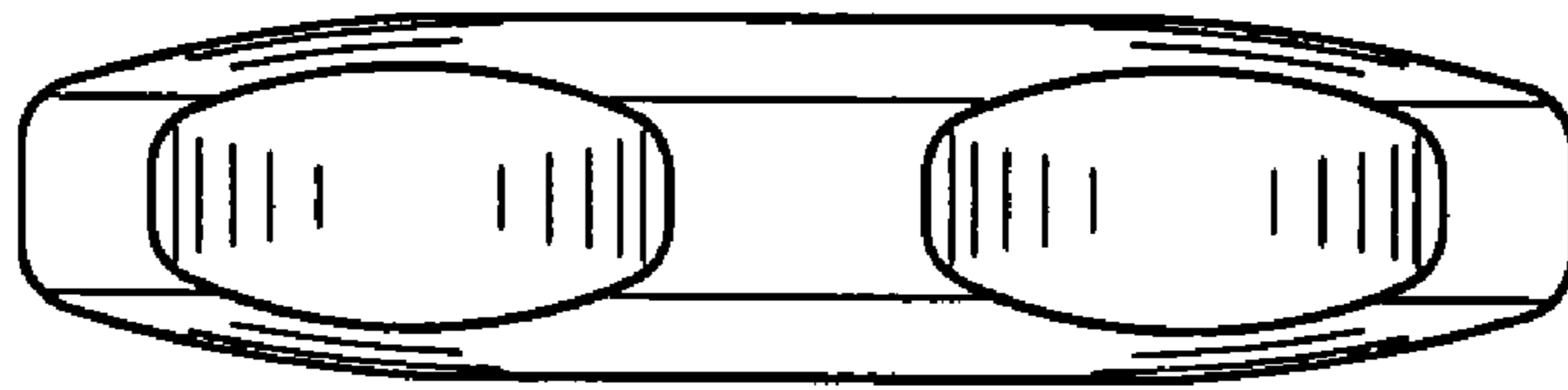


FIG. 4

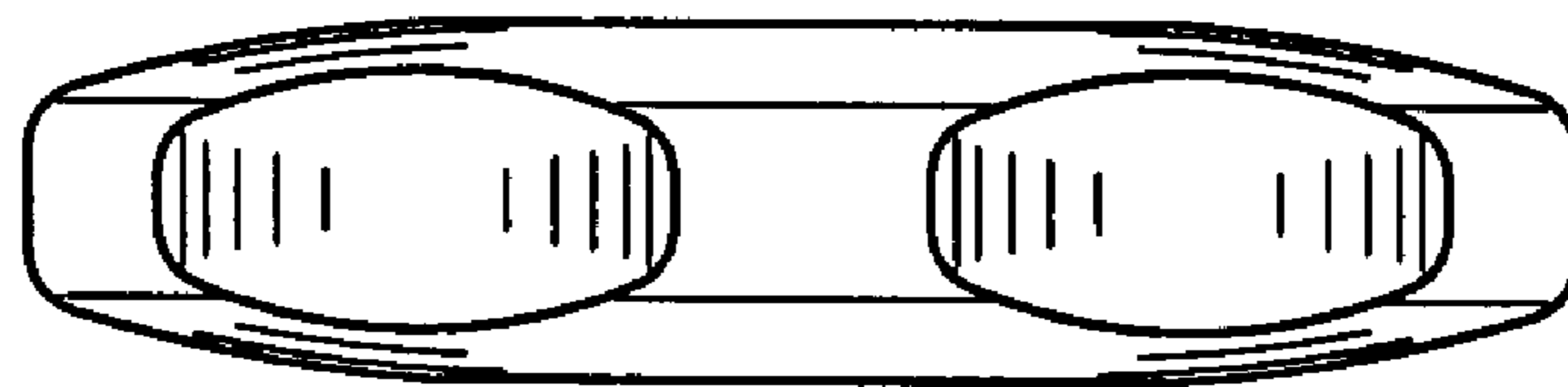


FIG. 5

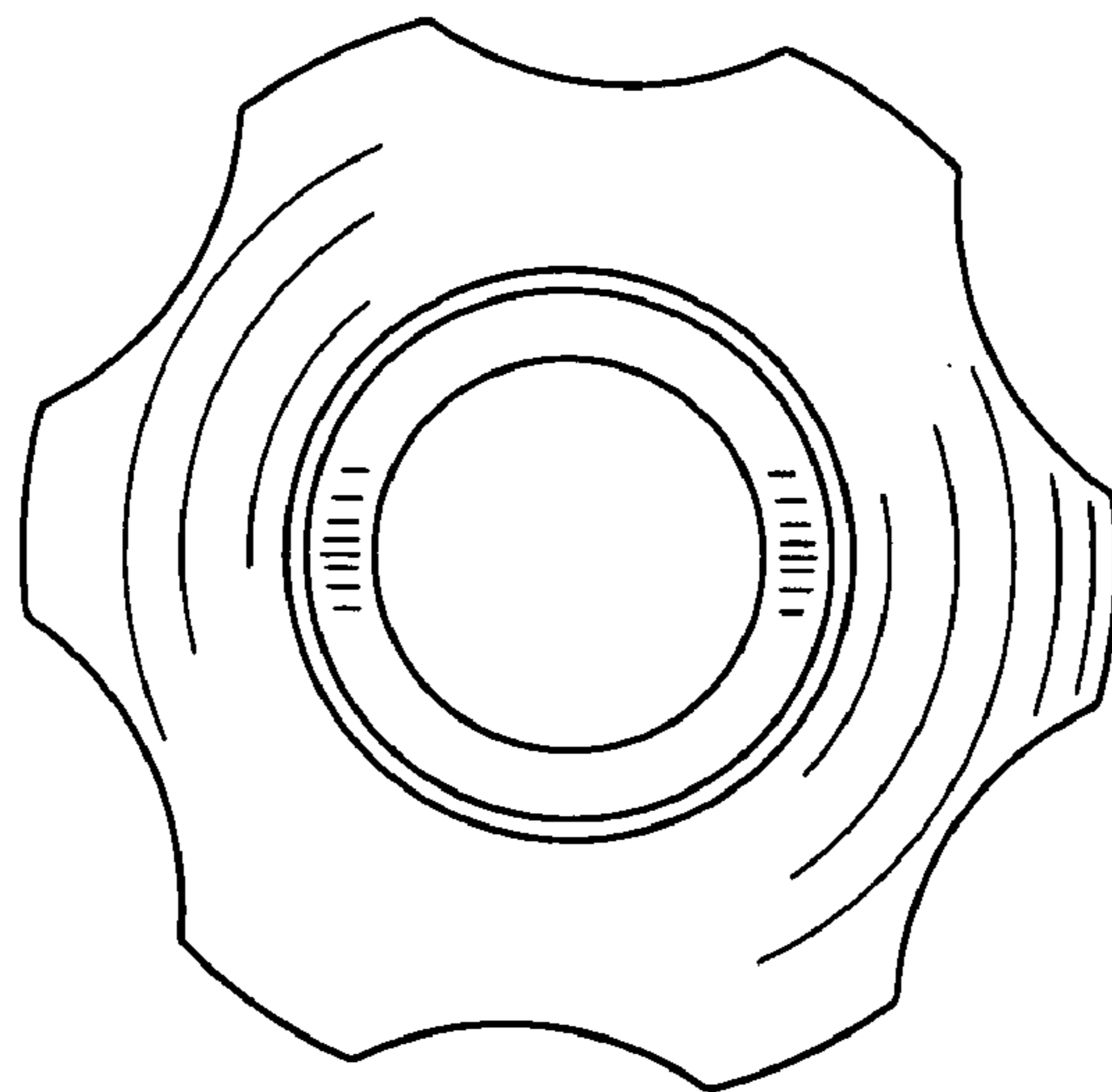


FIG. 6

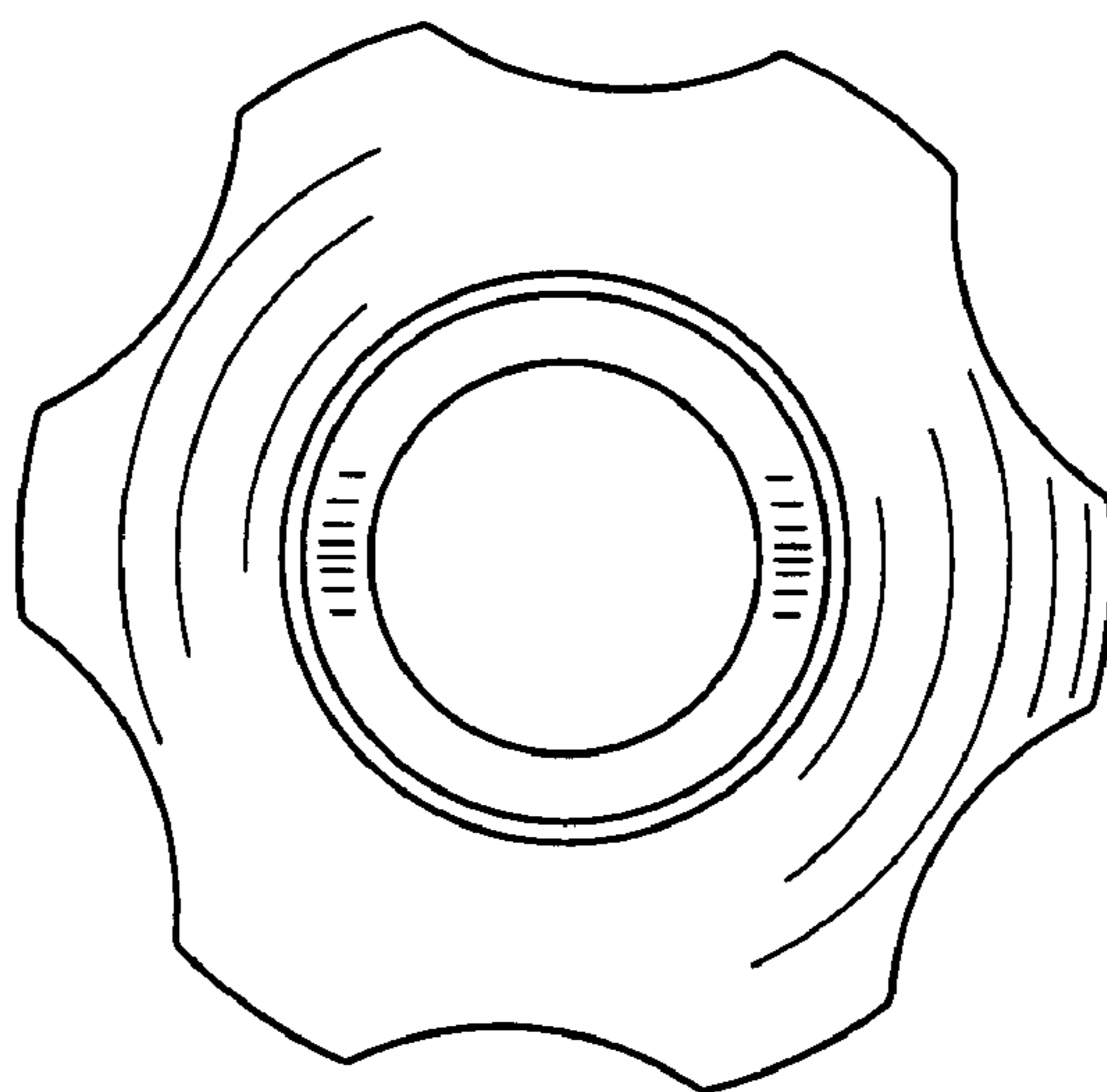


FIG. 7

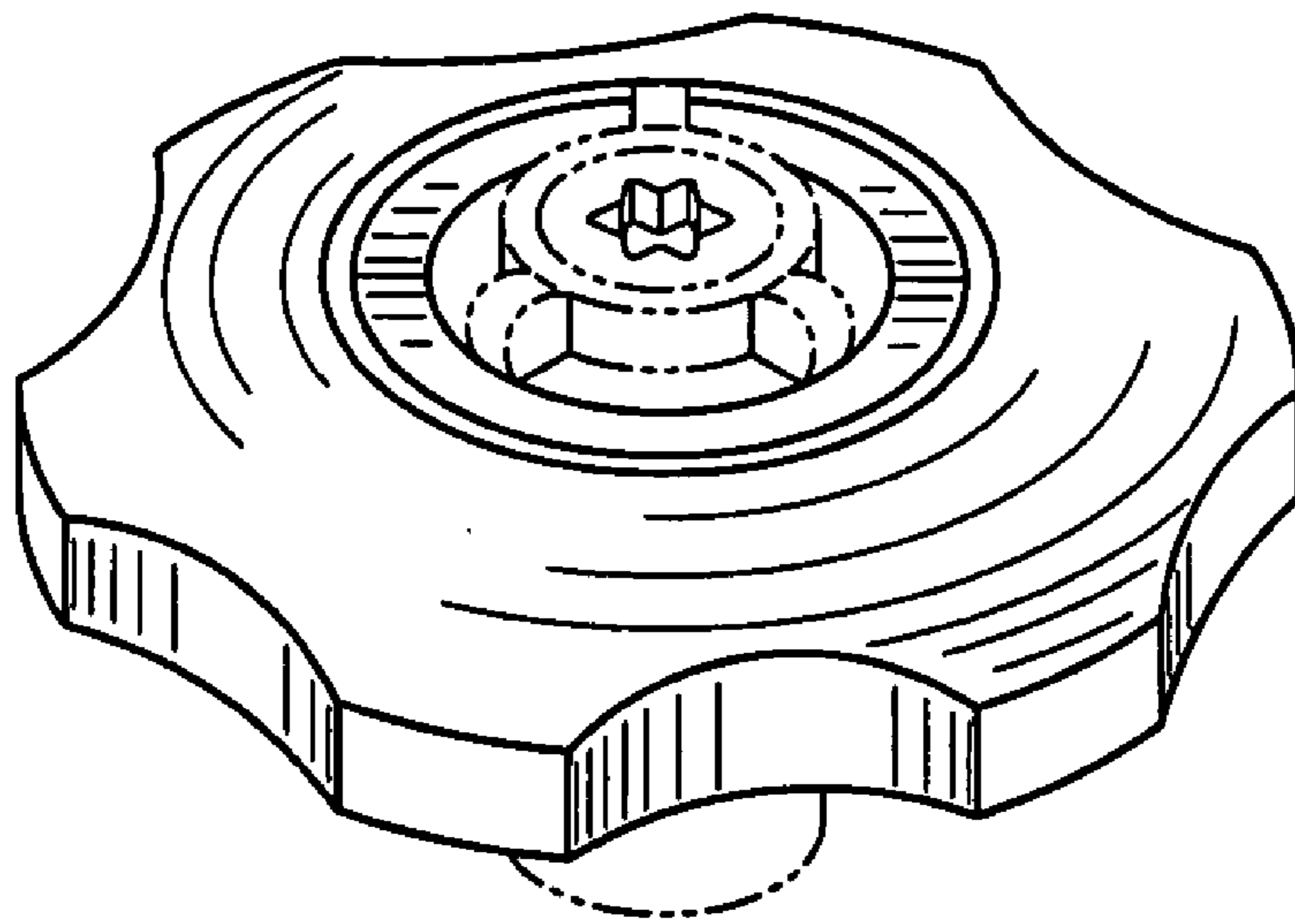


FIG. 8



US00D556007C1

(12) **EX PARTE REEXAMINATION CERTIFICATE** (10758th)
United States Patent
Hung

(10) **Number:** **US D556,007 C1**
(45) **Certificate Issued:** **Nov. 6, 2015**

(54) **HANDLE FOR ROTARY RATCHET TOOL**
(76) **Inventor:** **Cheng Ching Hung**, Fenyuan Township,
Changhua County (TW)

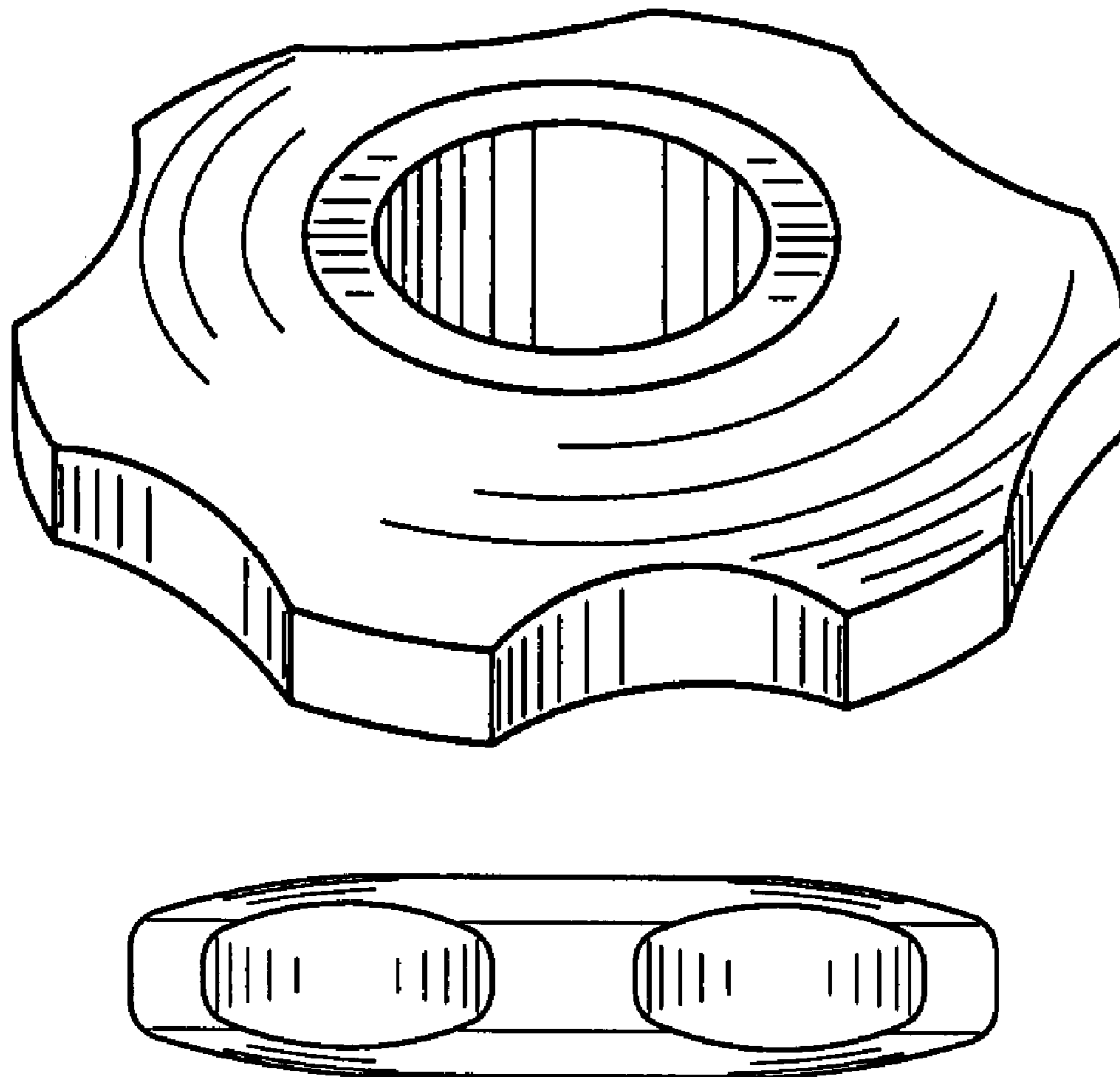
CPC A61B 17/2909; B25B 13/46; B25B 15/02;
B25F 5/026; B25G 1/00; B25G 1/01; B25G
1/04; B25G 1/06; B25G 1/10; B25G 1/005;
B25G 1/007; B25G 1/043; B25G 1/063;
B25G 1/085; B25G 1/102; B25G 1/105;
B25G 1/125; B25G 3/00; B25G 3/02; B61H
13/02; F16K 31/60; F16K 31/602; Y10T
16/44; Y10T 16/459; Y10T 16/462; Y10T
16/469; Y10T 16/476; Y10T 16/4713
See application file for complete search history.

Reexamination Request:
No. 90/013,185, Apr. 14, 2014

Reexamination Certificate for:
Patent No.: **Des. 556,007**
Issued: **Nov. 27, 2007**
Appl. No.: **29/261,400**
Filed: **Jun. 14, 2006**

(51) **LOC (10) Cl.** **08-05**
(52) **U.S. Cl.**
USPC **D8/107**
(58) **Field of Classification Search**
USPC D23/245, 250; D8/14, 21, 83, 107, 300,
D8/303, 307, 310, 312, 313; D4/129;
81/489; 16/110.1

(56) **References Cited**
To view the complete listing of prior art documents cited during the proceeding for Reexamination Control Number 90/013,185, please refer to the USPTO's public Patent Application Information Retrieval (PAIR) system under the Display References tab.
Primary Examiner — Keli L Hill



**EX PARTE
REEXAMINATION CERTIFICATE**

NO AMENDMENTS HAVE BEEN MADE TO
THE PATENT

5

AS A RESULT OF REEXAMINATION, IT HAS BEEN
DETERMINED THAT:

The patentability of the single claim is confirmed.

10

* * * * *