



US00D556004S

(12) **United States Design Patent**
Coope

(10) **Patent No.:** **US D556,004 S**

(45) **Date of Patent:** **** Nov. 27, 2007**

(54) **MACHINABLE VISE**

(76) Inventor: **Gordon Coope**, 18014 N. 63rd La.,
Glendale, AZ (US) 85308

(**) Term: **14 Years**

(21) Appl. No.: **29/239,367**

(22) Filed: **Sep. 29, 2005**

(51) **LOC (8) Cl.** **08-05**

(52) **U.S. Cl.** **D8/74**

(58) **Field of Classification Search** D8/74,
D8/71, 394, 59, 72; 269/240, 246, 247, 243,
269/261, 254 R, 317; 81/427, 321

See application file for complete search history.

(56) **References Cited**

U.S. PATENT DOCUMENTS

D255,643	S	*	7/1980	Speiser et al.	D8/74
4,579,485	A	*	4/1986	Connor et al.	D8/71
D287,457	S	*	12/1986	Listes	D8/74
D317,927	S	*	7/1991	Kern	D8/72
D318,282	S	*	7/1991	Kern	D8/72
D355,114	S	*	2/1995	Wizman	D8/71
D417,599	S	*	12/1999	Wolfe et al.	D8/74
D420,880	S	*	2/2000	Lavigne et al.	D8/74
D421,208	S	*	2/2000	Lavigne et al.	D8/74
D422,868	S	*	4/2000	Lavigne et al.	D8/74

D435,772	S	*	1/2001	Lavigne et al.	D8/74
D436,012	S	*	1/2001	Lavigne et al.	D8/74
D437,200	S	*	2/2001	Lavigne et al.	D8/74

* cited by examiner

Primary Examiner—Louis Zarfaz

Assistant Examiner—David G. Muller

(74) *Attorney, Agent, or Firm*—Parsons & Goltry; Robert A. Parsons; Michael W. Goltry

(57) **CLAIM**

The ornamental design for a machinable vise, as shown and described.

DESCRIPTION

FIG. 1 is a perspective view of a machinable vise showing my new design;

FIG. 2 is a top view of the machinable vise of FIG. 1;

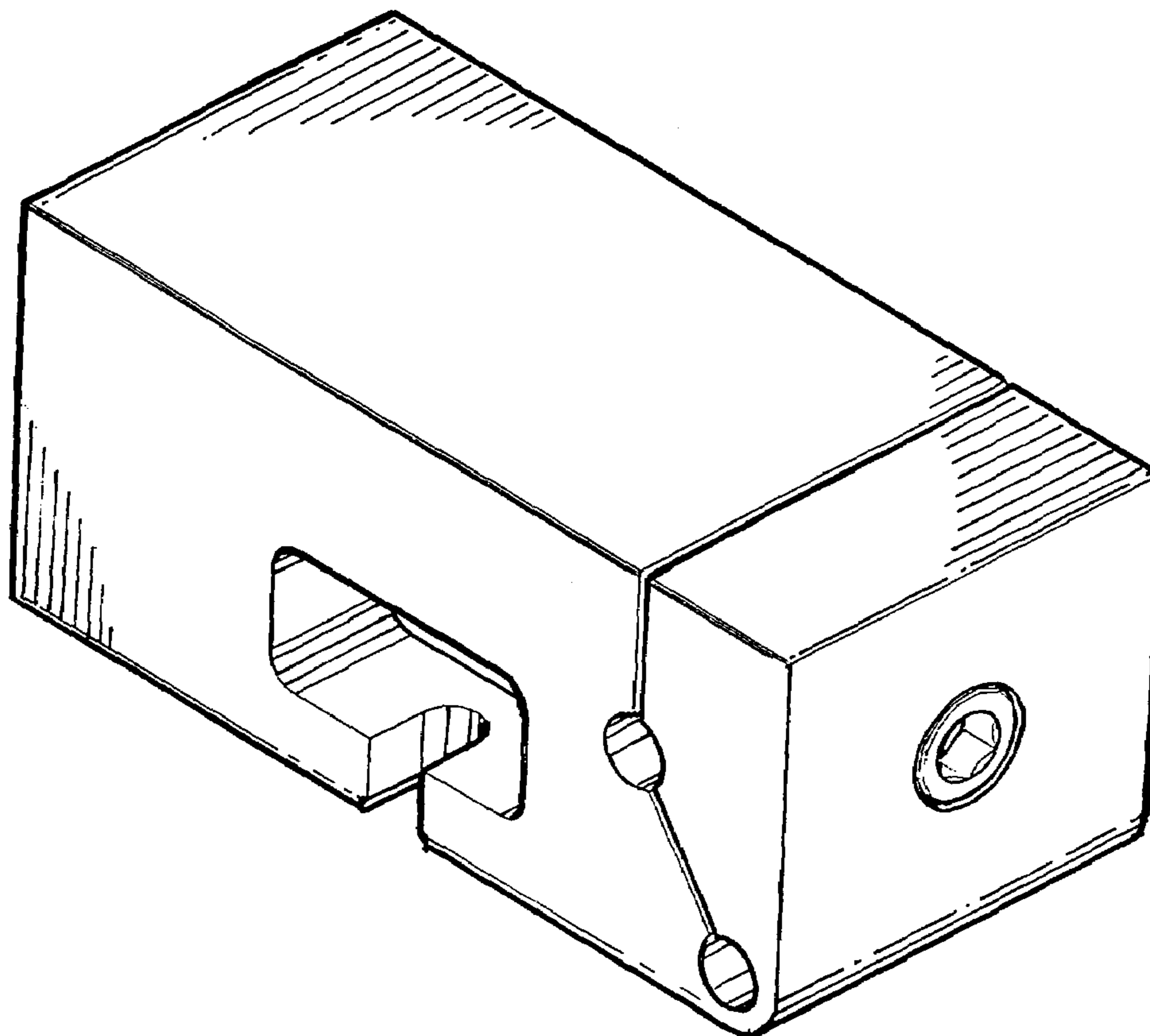
FIG. 3 is a bottom view of the machinable vise showing my new design;

FIG. 4 is a side elevation view of the machinable vise; the opposite side elevation view being a substantial mirror image thereof;

FIG. 5 is an end view thereof; and,

FIG. 6 is an opposite end view thereof.

1 Claim, 3 Drawing Sheets



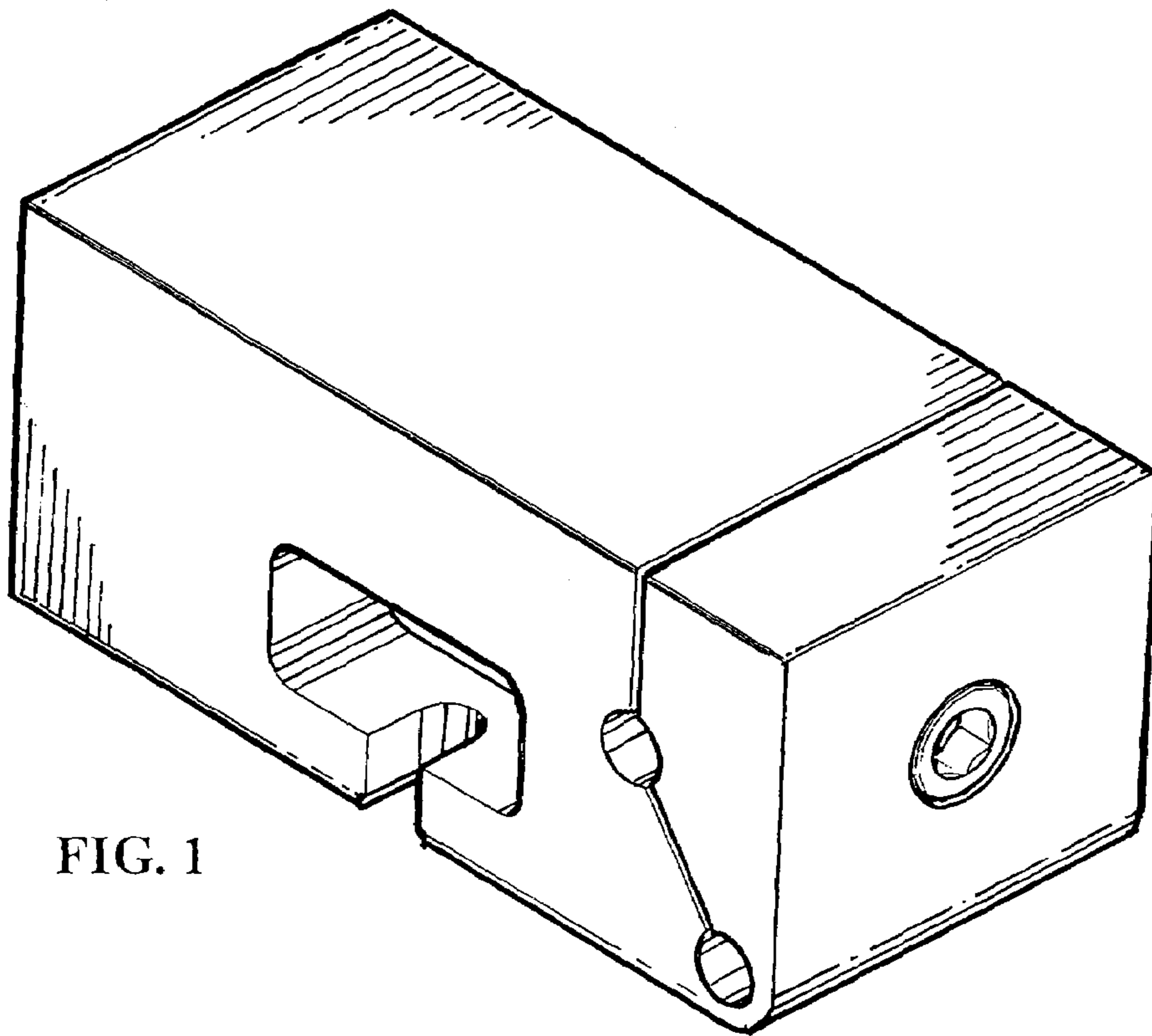


FIG. 1

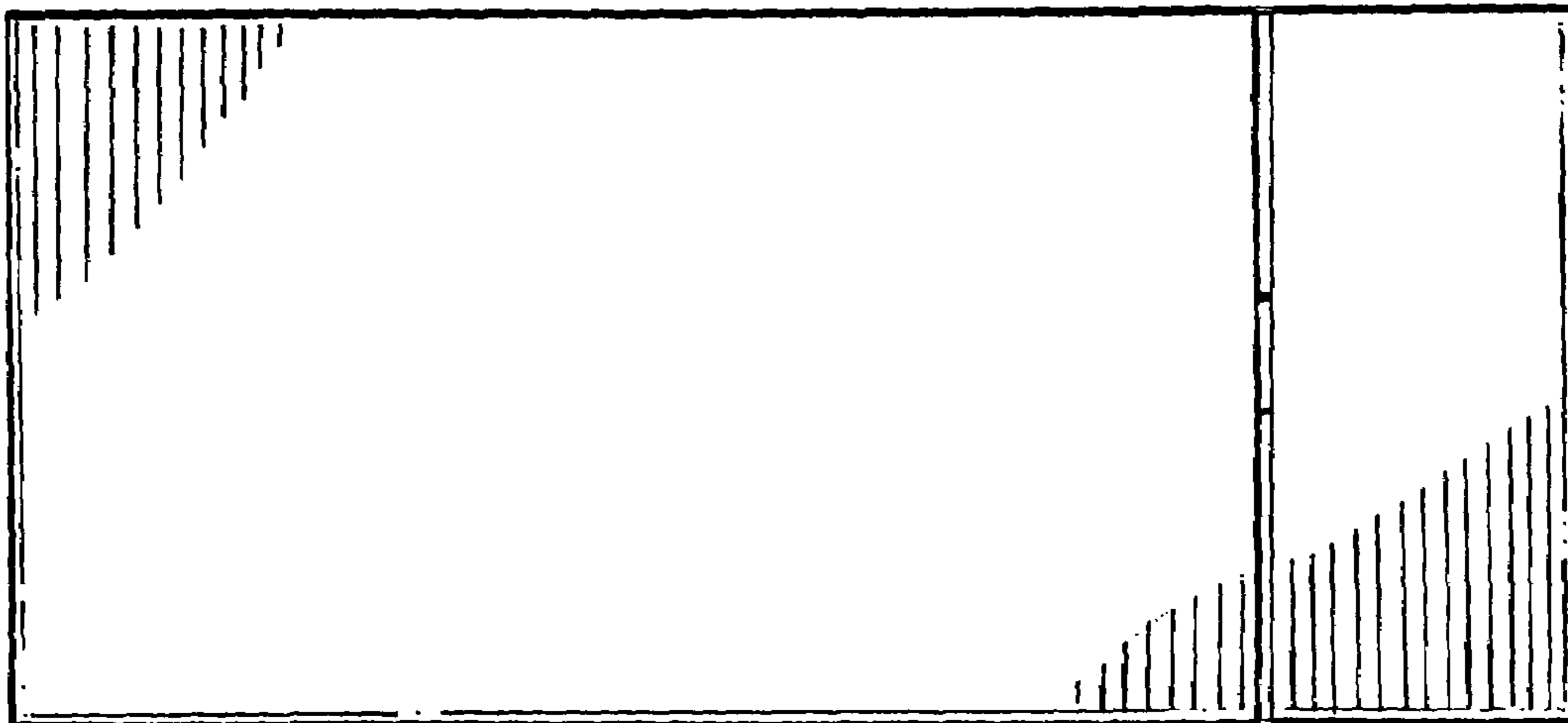


FIG. 2

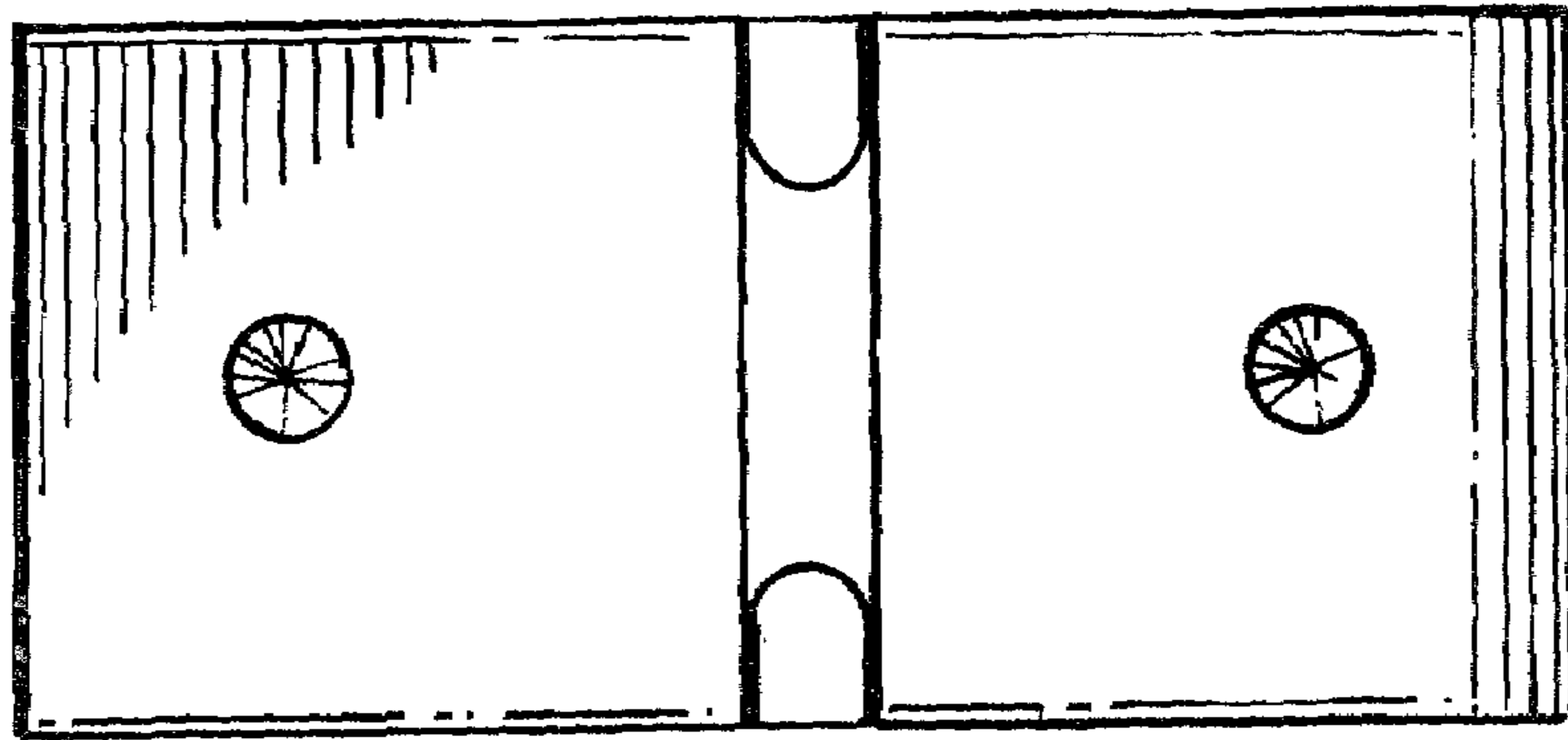


FIG. 3

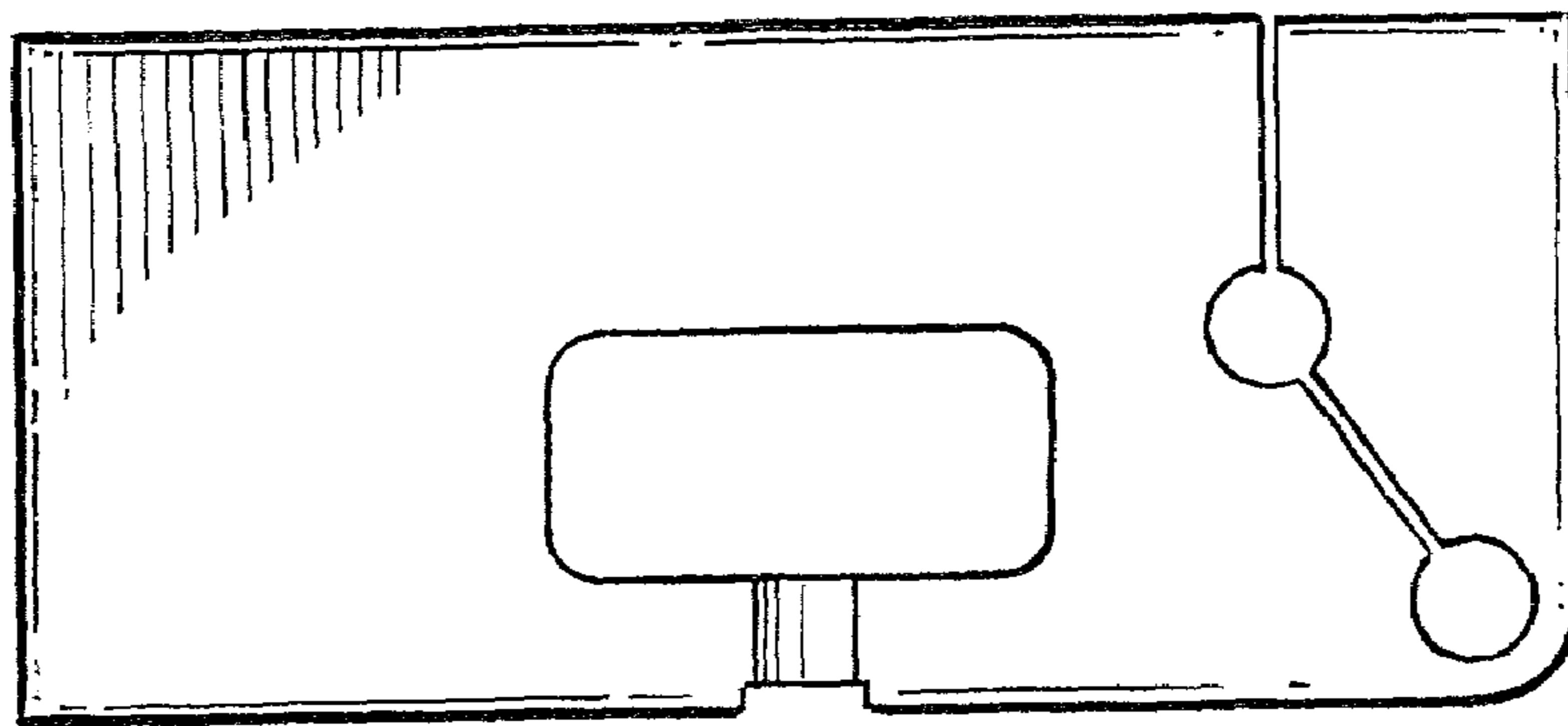


FIG. 4

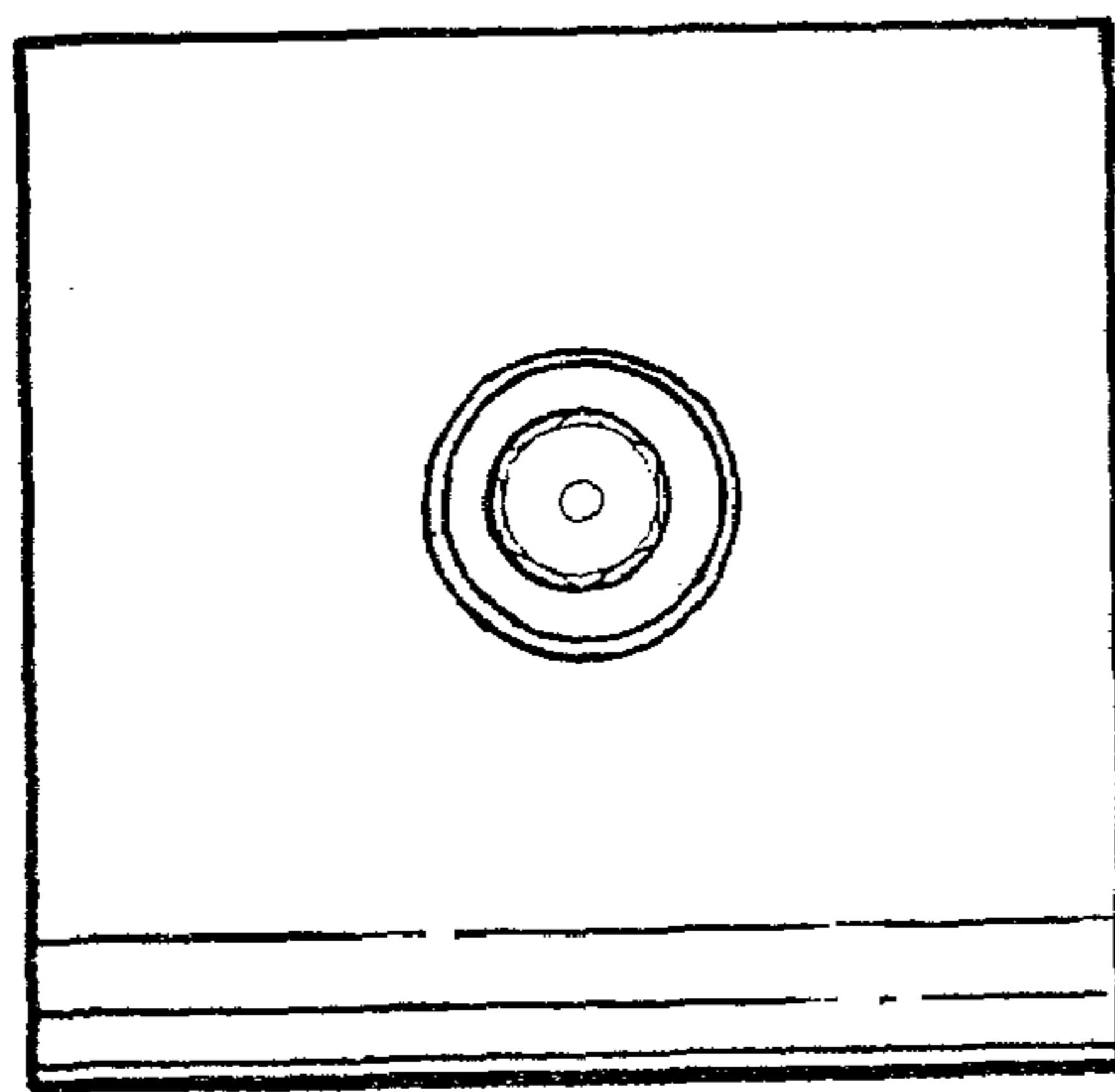


FIG. 5

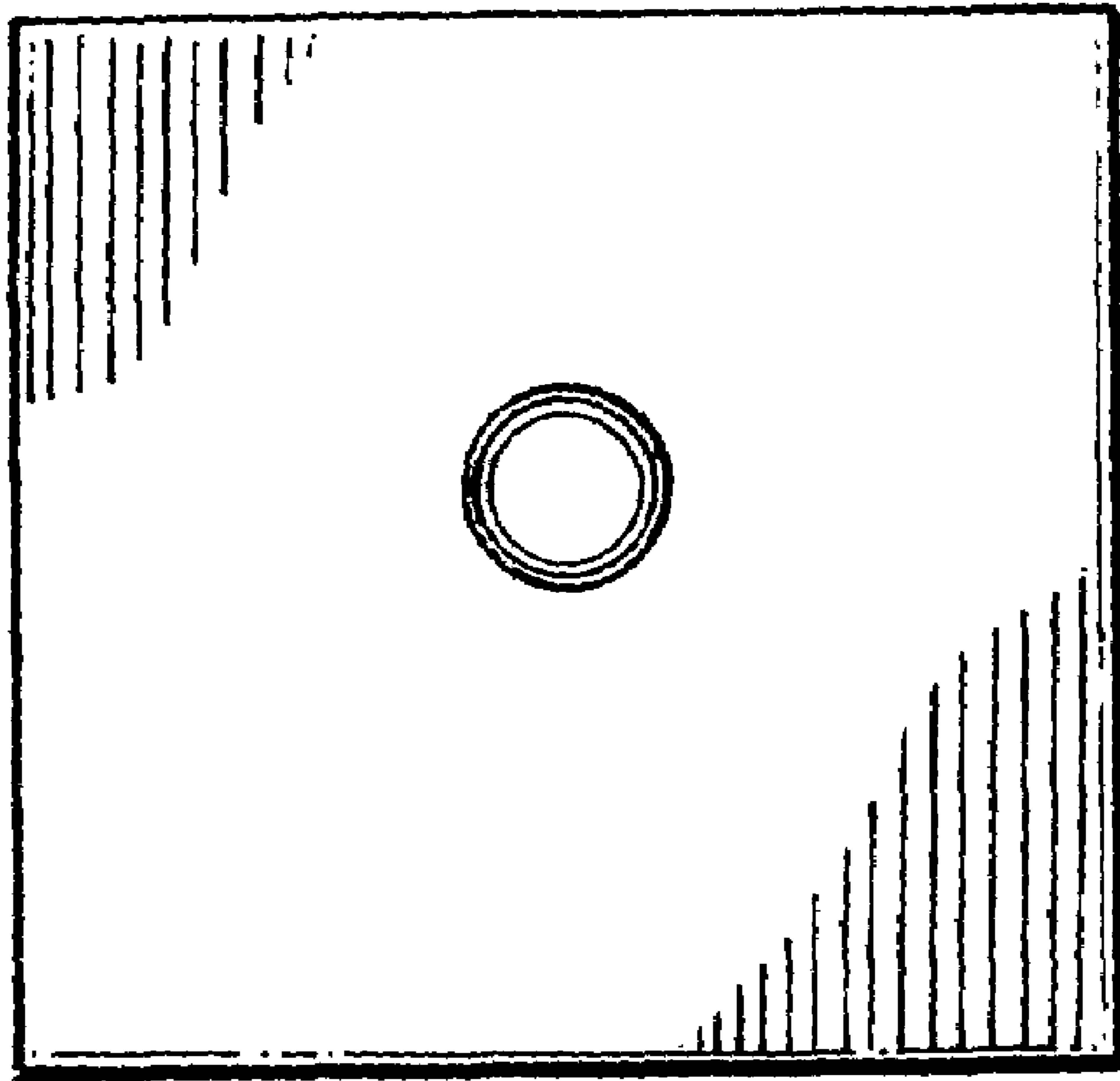


FIG. 6