



US00D556003S

(12) **United States Design Patent**
Buck

(10) **Patent No.:** **US D556,003 S**

(45) **Date of Patent:** **** *Nov. 27, 2007**

(54) **NAILER**

(75) Inventor: **John E. Buck**, Cockeysville, MD (US)

(73) Assignee: **Black & Decker Inc.**, Newark, DE (US)

(*) Notice: This patent is subject to a terminal disclaimer.

(**) Term: **14 Years**

(21) Appl. No.: **29/260,620**

(22) Filed: **May 26, 2006**

(51) **LOC (8) Cl.** **08-05**

(52) **U.S. Cl.** **D8/69**

(58) **Field of Classification Search** D8/14.1,
D8/61, 62, 63, 64, 65, 66, 67, 68, 69, 70;
81/57.11, 429, 464, 465, 466, 469, 489; 173/13,
173/104, 114, 168, 169, 170, 171, 178, 201,
173/211, 213, 217; 408/20, 124, 125, 234,
408/241 R; 451/358; 310/50; 227/8, 113,
227/114, 120, 130, 136, 142

See application file for complete search history.

(56) **References Cited**

U.S. PATENT DOCUMENTS

482,540 A	9/1892	Brown	
1,106,241 A	8/1914	Richardson	
2,674,736 A	4/1954	Chalmer	
3,212,688 A	10/1965	Lane	
3,253,760 A	5/1966	Doyle et al.	
3,338,141 A	8/1967	Ramsay	
3,612,383 A	10/1971	Perkins et al.	
3,742,577 A	7/1973	Buttriss	
3,797,723 A	3/1974	Perkins et al.	
4,183,453 A	1/1980	Barrett et al.	
4,955,572 A	9/1990	Simmons	
D332,561 S *	1/1993	Fushiya et al.	D8/69
5,197,647 A	3/1993	Howell	
D338,606 S *	8/1993	Oda	D8/69
5,238,168 A *	8/1993	Oda	227/130
5,320,268 A	6/1994	Shkolnikov et al.	

5,322,189 A *	6/1994	Oda	227/120
5,385,282 A	1/1995	Chen	
5,579,975 A *	12/1996	Moorman	227/130
5,722,578 A	3/1998	Van Erden et al.	
5,803,338 A *	9/1998	Singer et al.	227/8
5,839,638 A	11/1998	Ronn	
D416,182 S *	11/1999	Kaiser et al.	D8/69
6,026,576 A	2/2000	Hurn et al.	
6,053,389 A	4/2000	Chu et al.	
6,056,181 A *	5/2000	Chuang	227/8
6,145,724 A	11/2000	Shkolnikov et al.	
D435,206 S *	12/2000	Etter et al.	D8/68
D435,770 S *	1/2001	Arai	D8/68
6,186,386 B1 *	2/2001	Canlas et al.	227/8
D447,031 S *	8/2001	Oh	D8/63
D447,034 S *	8/2001	Buck	D8/68
6,290,115 B1	9/2001	Chen	
D461,694 S *	8/2002	Buck	D8/68

(Continued)

FOREIGN PATENT DOCUMENTS

DE 478998 7/1929

(Continued)

Primary Examiner—T. Chase Nelson

(74) *Attorney, Agent, or Firm*—Scott B. Markow

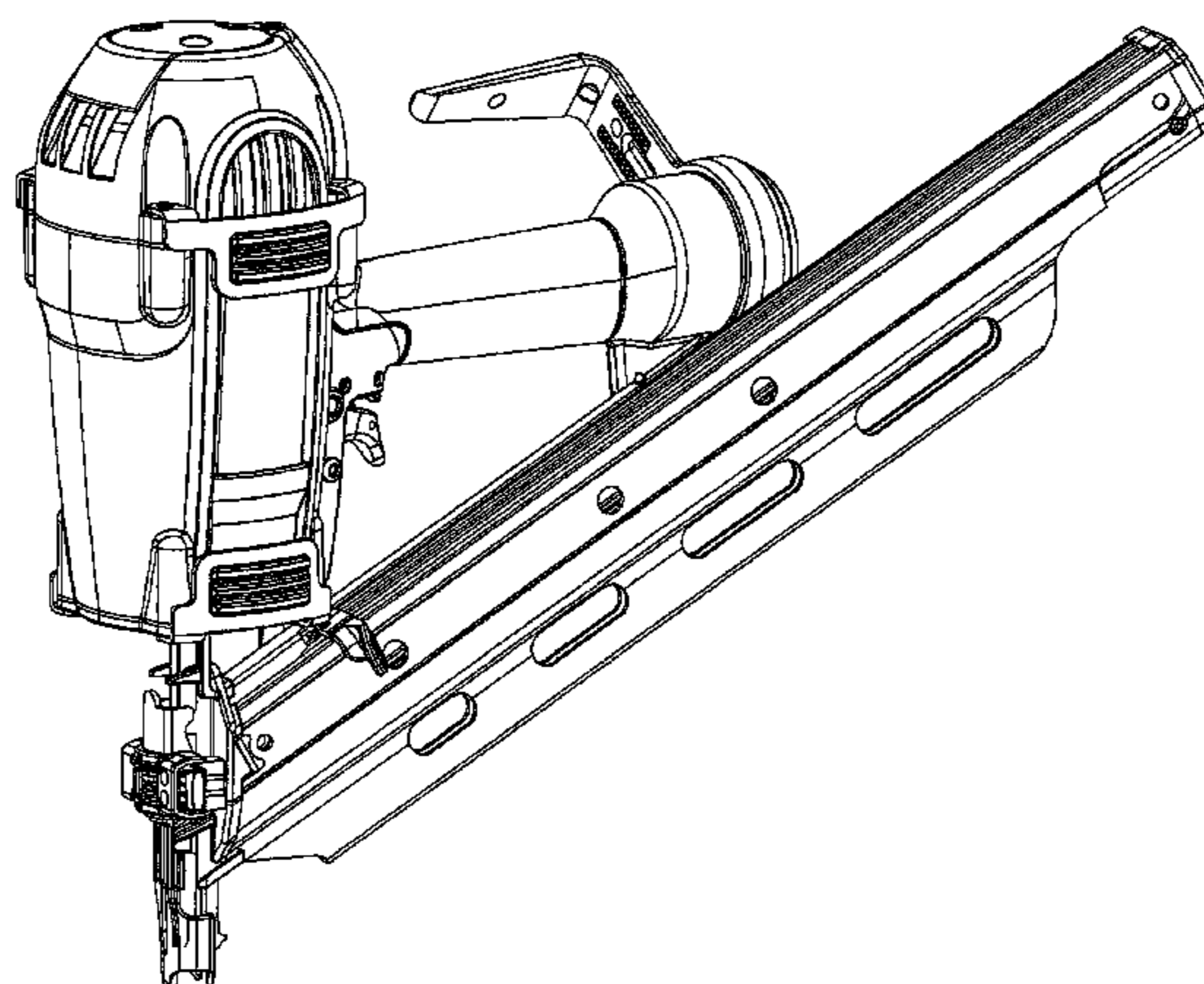
(57) **CLAIM**

The ornamental design for a nailer, as shown and described.

DESCRIPTION

FIG. 1 is a perspective view of the nailer.
FIG. 2 is a left side elevational view thereof.
FIG. 3 is a right side elevational view thereof.
FIG. 4 is a top view thereof.
FIG. 5 is a bottom view thereof.
FIG. 6 is a front elevational view thereof; and,
FIG. 7 is a rear elevational view thereof.

1 Claim, 7 Drawing Sheets



US D556,003 S

Page 2

U.S. PATENT DOCUMENTS

6,431,428	B1 *	8/2002	Chen	227/130
6,431,429	B1 *	8/2002	Canlas et al.	227/8
6,443,348	B2	9/2002	Lamb		
RE38,035	E	3/2003	Kahn		
6,592,016	B2 *	7/2003	Hamano et al.	227/136
D477,975	S *	8/2003	Lai	D8/68
D477,976	S *	8/2003	Liu	D8/68
6,609,646	B2 *	8/2003	Miller et al.	227/8
6,612,476	B2	9/2003	Smolinski		
D483,240	S *	12/2003	Garvis et al.	D8/68
6,679,406	B2	1/2004	Sakai et al.		
6,722,549	B2	4/2004	Shkolnikov et al.		
6,769,591	B2 *	8/2004	Yamamoto et al.	227/113
D499,623	S *	12/2004	Buck	D8/68
6,905,052	B2	6/2005	Sakai et al.		
D507,468	S *	7/2005	Liang	D8/68
D512,291	S *	12/2005	Thomas et al.	D8/69
D512,620	S *	12/2005	Thomas et al.	D8/69
6,978,920	B2 *	12/2005	Hamada et al.	227/120
D514,911	S *	2/2006	Thomas et al.	D8/69
D515,384	S *	2/2006	Hutchings	D8/70
D520,839	S *	5/2006	Miwa	D8/69
D531,475	S *	11/2006	Li	D8/69
2001/0017311	A1 *	8/2001	Hamano et al.	227/120
2001/0030218	A1 *	10/2001	Adachi et al.	227/120
2002/0104866	A1 *	8/2002	Miller et al.	227/8
2002/0104868	A1 *	8/2002	Miller et al.	227/8
2002/0179659	A1	12/2002	Shaw		
2003/0127490	A1 *	7/2003	Hamano et al.	227/120
2003/0160075	A1	8/2003	Musarella et al.		
2003/0218044	A1 *	11/2003	Laubach et al.	227/120
2003/0230621	A1 *	12/2003	Yamamoto et al.	227/113
2005/0001007	A1 *	1/2005	Butzen et al.	227/130
2005/0092792	A1	5/2005	Sakai et al.		
2005/0092806	A1 *	5/2005	Miller et al.	227/8
2005/0133393	A1	6/2005	Lawrence et al.		

2005/0133552	A1	6/2005	Lawrence		
2005/0139628	A1 *	6/2005	Aguirre et al.	227/130
2005/0194419	A1	9/2005	Smolinski et al.		
2005/0218174	A1 *	10/2005	Kenney et al.	227/8
2006/0011695	A1 *	1/2006	Ishizawa et al.	227/120
2006/0016843	A1 *	1/2006	Ishizawa et al.	227/120
2006/0043140	A1	3/2006	Panasik et al.		
2006/0070761	A1	4/2006	Vahabi-Nejad et al.		
2006/0081667	A1	4/2006	Lai et al.		
2006/0081676	A1	4/2006	Schell et al.		
2006/0108390	A1 *	5/2006	Schnell et al.	227/120
2006/0249554	A1 *	11/2006	Butzen et al.	227/130

FOREIGN PATENT DOCUMENTS

DE	583621	9/1933
DE	904170	2/1954
DE	1171356	5/1964
DE	1968597	9/1967
DE	1946587	3/1970
DE	1603919	1/1971
DE	7039205	1/1971
DE	2111252	9/1972
DE	2248956	4/1973
DE	7641190	4/1977
DE	3037353	4/1981
DE	3038857	4/1981
DE	3439106	5/1985
DE	8807770	9/1988
DE	29611319	9/1996
DE	10312460	12/2003
EP	0787565	8/1997
EP	1645372	4/2006
GB	2081189	S * 8/1998
GB	3006207	S * 2/2002
JP	2001162566	6/2001
WO	WO01/36162	5/2001

* cited by examiner

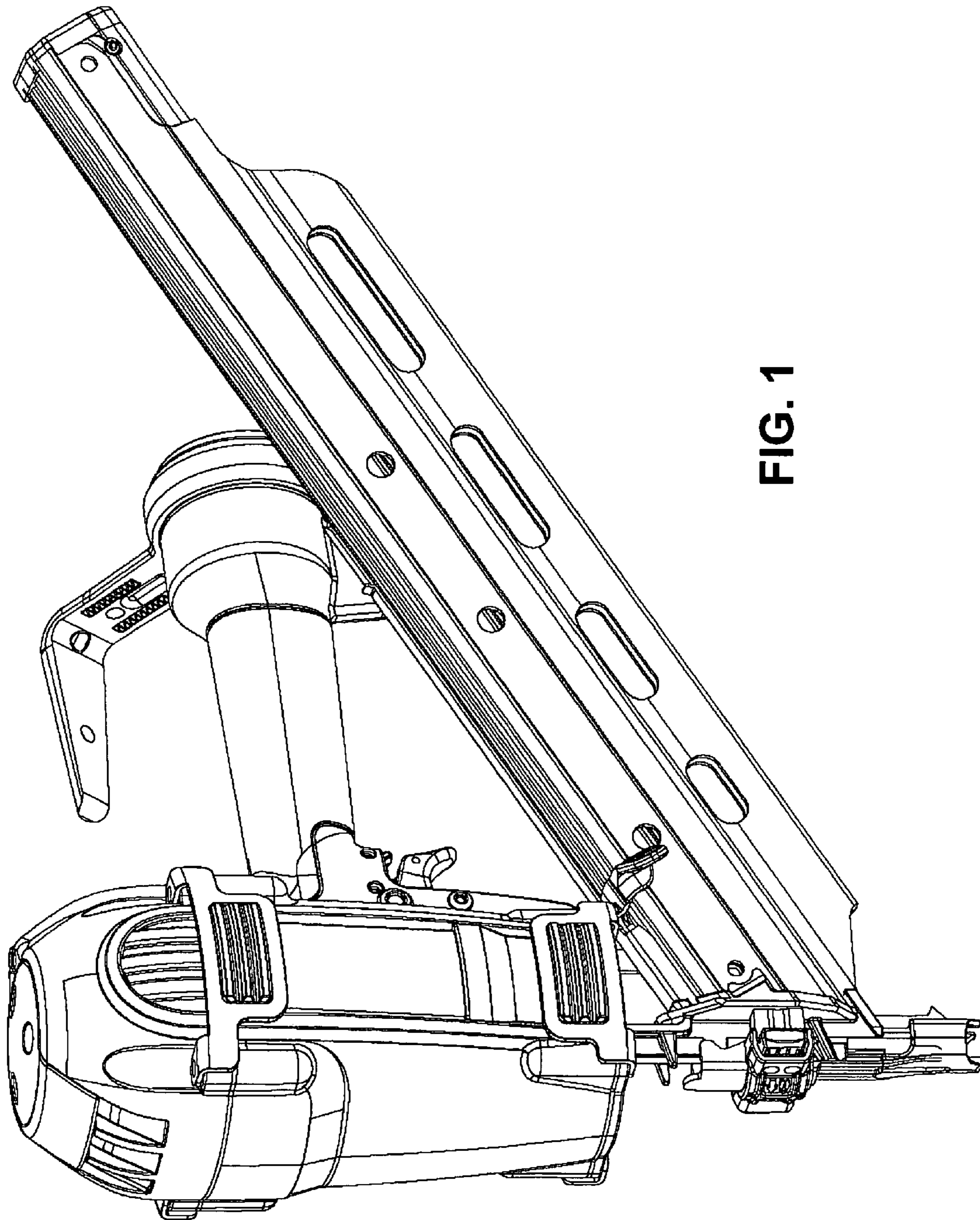


FIG. 1

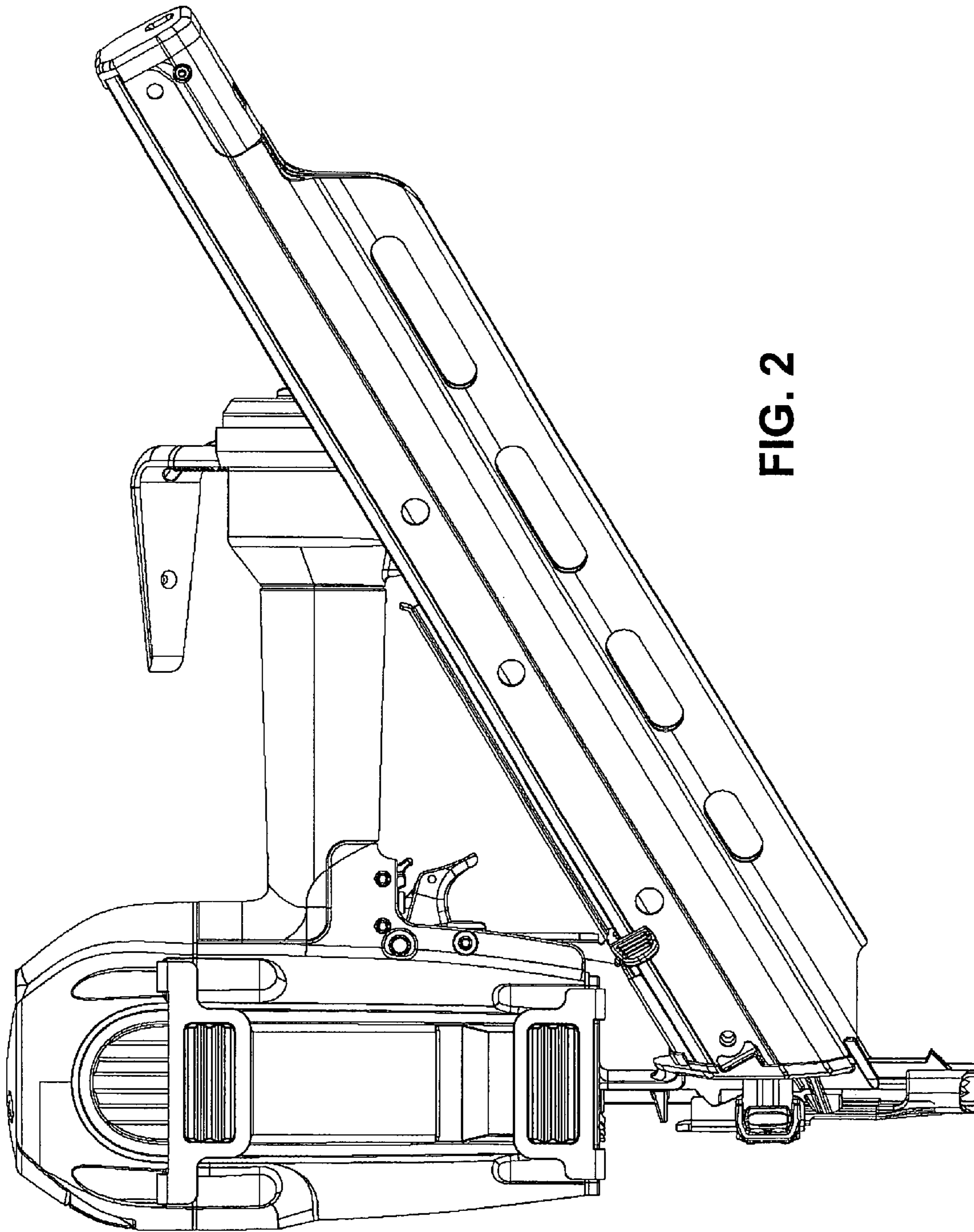


FIG. 2

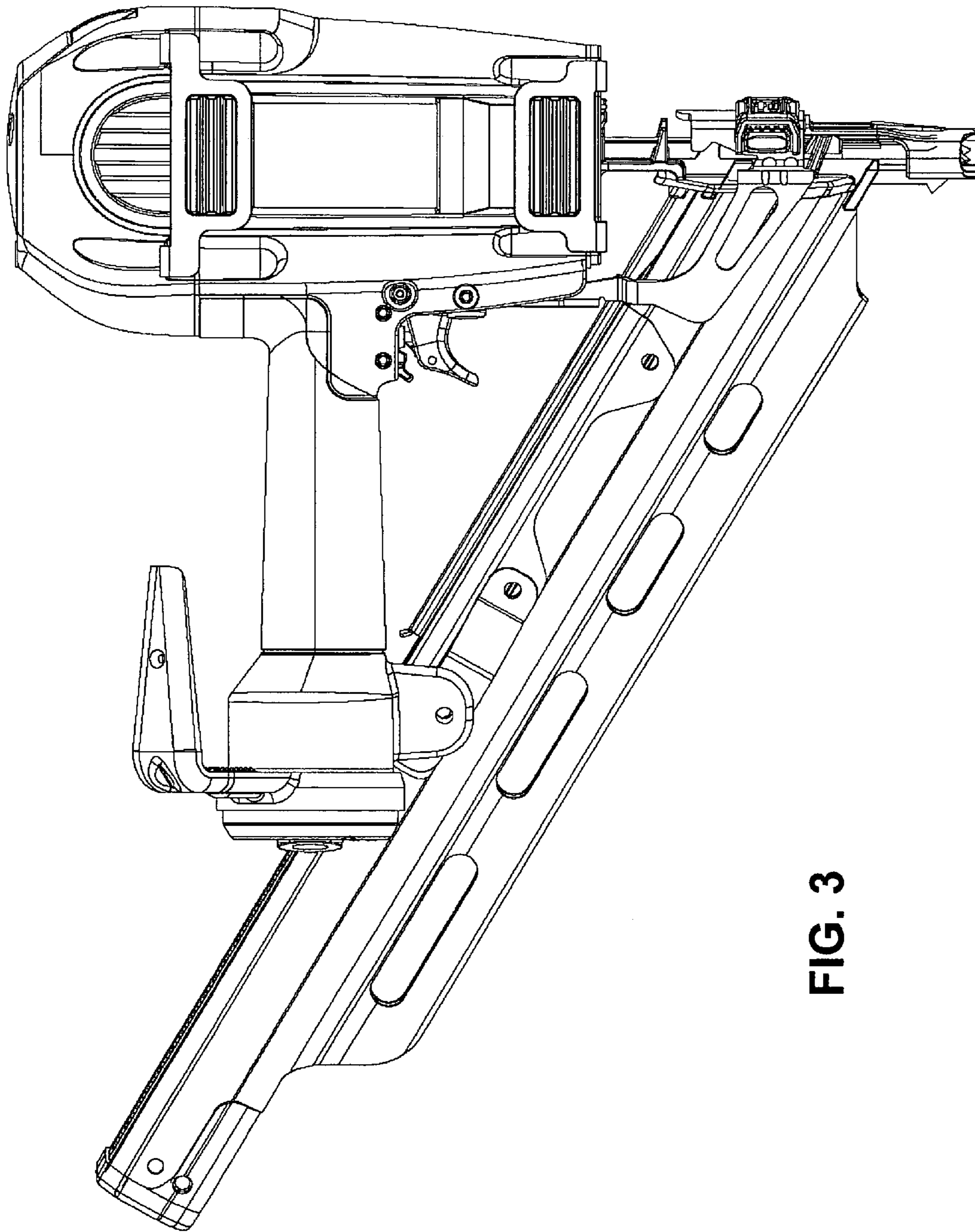


FIG. 3

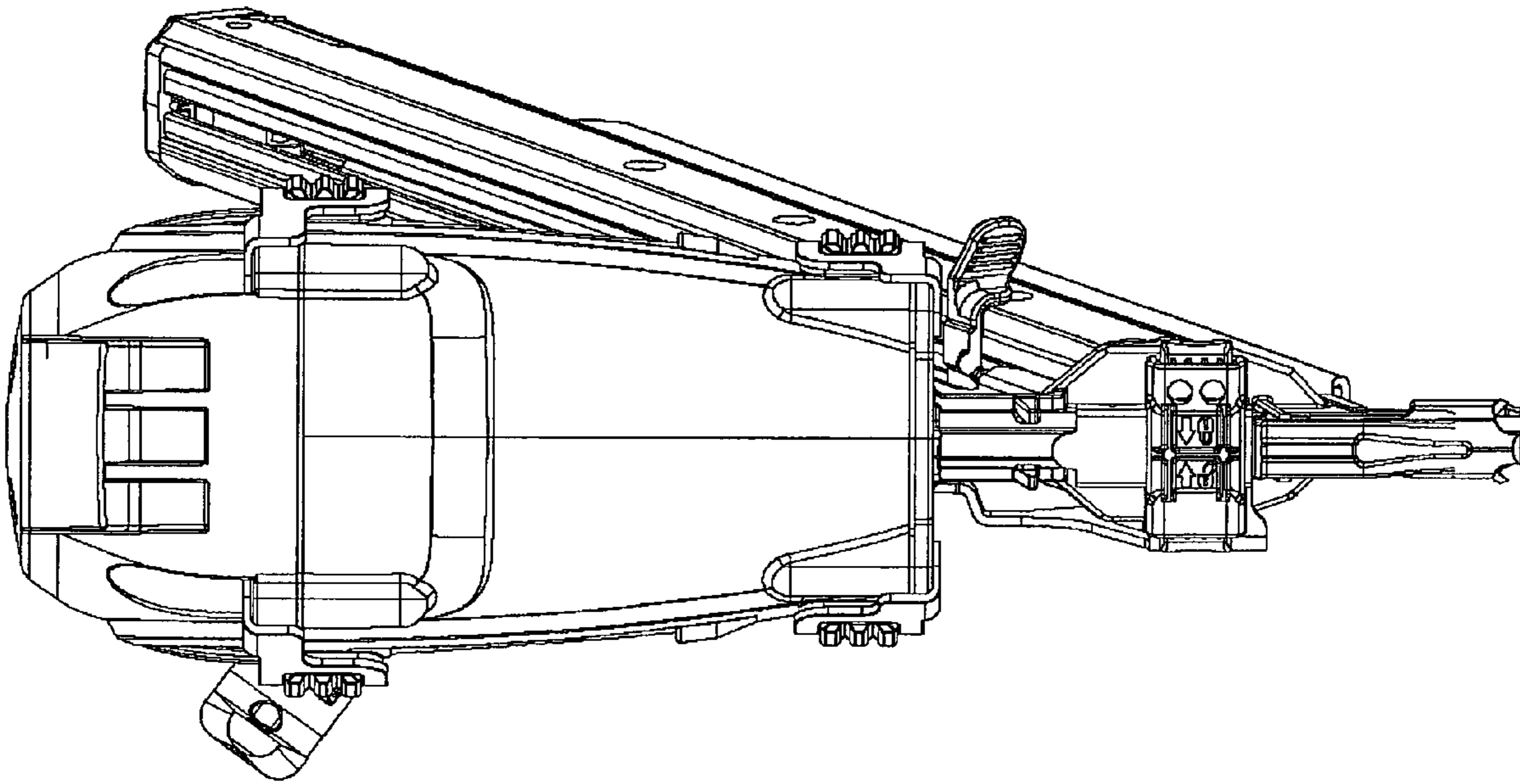


FIG. 4

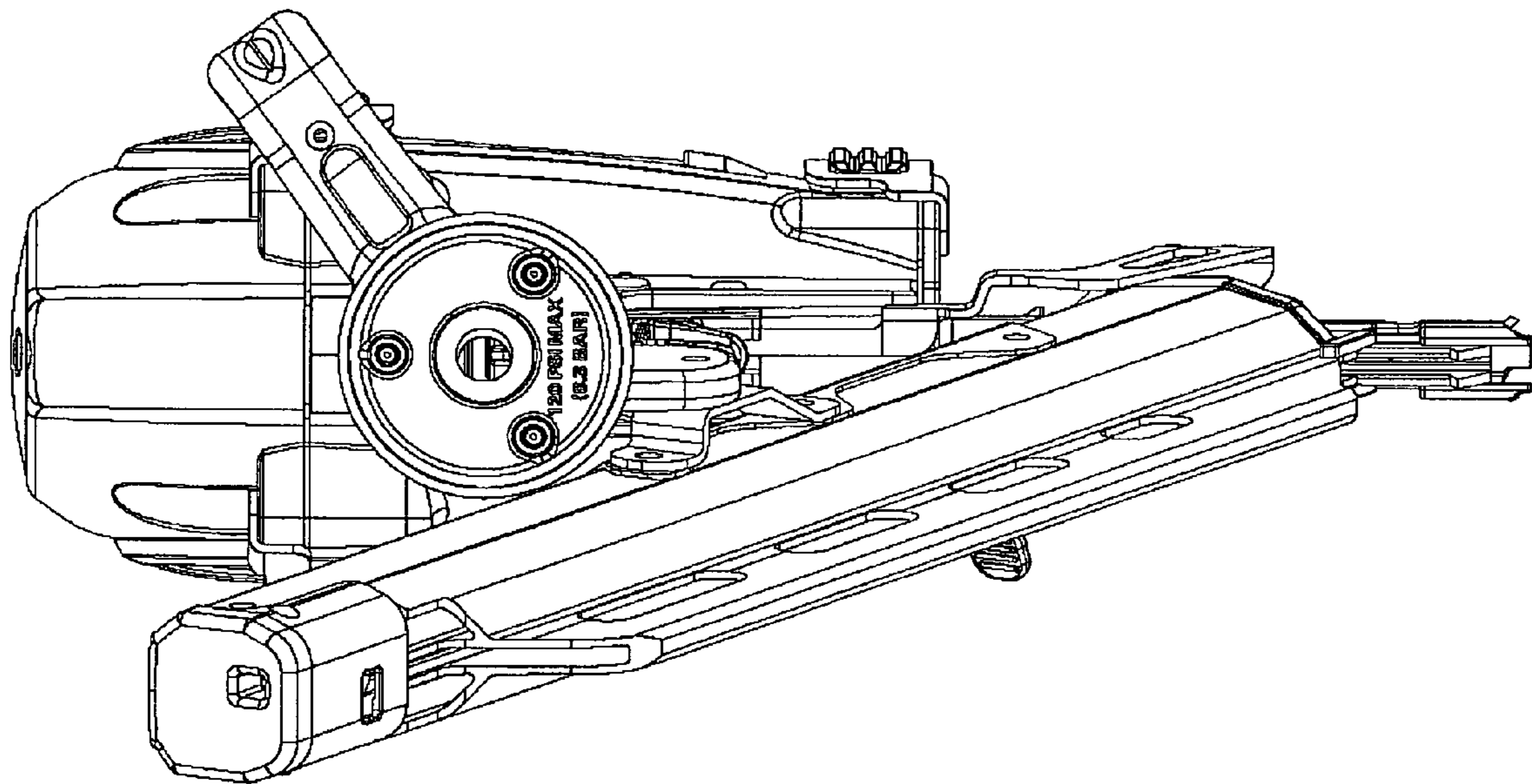


FIG. 5

FIG. 6

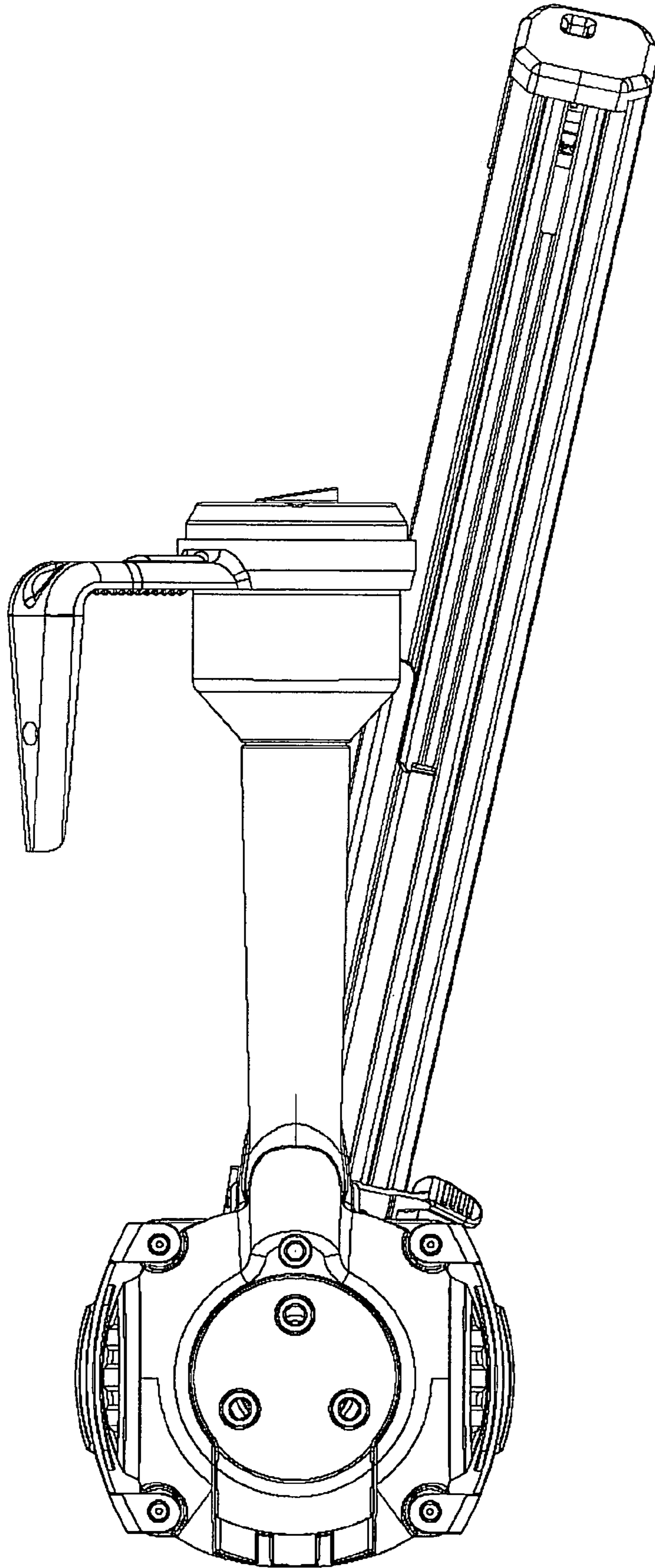


FIG. 7

