

US00D556001S

(12) **United States Design Patent** (10) **Patent No.:** **US D556,001 S**  
**Leasure** (45) **Date of Patent:** **\*\* Nov. 27, 2007**

(54) **BELT SANDER**

2005/0034782 A1\* 2/2005 Park et al. .... 144/154.5  
2006/0003680 A1 1/2006 Robson

(75) Inventor: **Jeremy D. Leasure**, Jackson, TN (US)

FOREIGN PATENT DOCUMENTS

(73) Assignee: **Black & Decker Inc.**, Newark, DE (US)

DE	49812037.6	8/1999
DE	40107535.4	4/2002
DE	40109686.6	7/2002
DE	40205807.0	11/2002
DE	40303994.0	11/2003
DE	40401047.4	11/2004
DE	40500318.8	9/2005

(\*\*) Term: **14 Years**

(21) Appl. No.: **29/264,640**

(22) Filed: **Aug. 15, 2006**

OTHER PUBLICATIONS

**Related U.S. Application Data**

Deposits Published Under the 1960 Act (DM/059818) Proxxon S.A., Feb. 27, 2002.  
Deposits Published Under the 1960 Act (DM/062572) Positec Power Tools Nov. 12, 2002.

(63) Continuation of application No. 29/243,750, filed on Nov. 30, 2005, now Pat. No. Des. 529,775.

(51) **LOC (8) Cl.** ..... **08-01**

\* cited by examiner

(52) **U.S. Cl.** ..... **D8/62**

(58) **Field of Classification Search** ..... D8/67,  
D8/62, 61; D32/15, 17, 19; D4/102; 451/456,  
451/451, 359, 358, 357, 356, 355, 354, 353,  
451/351, 344

*Primary Examiner*—Cathron C. Brooks

*Assistant Examiner*—Austin Murphy

(74) *Attorney, Agent, or Firm*—Scott B. Markow

See application file for complete search history.

(57) **CLAIM**

(56) **References Cited**

The ornamental design for a belt sander, as shown and described.

U.S. PATENT DOCUMENTS

**DESCRIPTION**

D176,001 S	11/1955	Moore	
D255,319 S	6/1980	Schultz et al.	
5,094,000 A	3/1992	Becht et al.	
6,159,085 A	12/2000	Hara	
D487,008 S	2/2004	Andriolo	
6,688,349 B2	2/2004	Roshilavati Razlan et al.	
D492,563 S	7/2004	Wright	
D501,775 S	2/2005	Tillman et al.	
D502,072 S *	2/2005	Wright	D8/62
D508,833 S	8/2005	Brazell et al.	
D509,117 S	9/2005	Tillman et al.	
D509,720 S	9/2005	Robson	
D512,619 S	12/2005	Aglassinger	
7,018,280 B2 *	3/2006	Walker	451/355
D525,841 S *	8/2006	Lind et al.	D8/62
D529,775 S *	10/2006	Leasure	D8/62
2003/0168122 A1 *	9/2003	Razlan et al.	144/154.5

FIG. 1 is a left/front perspective view of the belt sander.

FIG. 2 is a right/rear perspective view thereof.

FIG. 3 is a front view thereof.

FIG. 4 is a rear view thereof.

FIG. 5 is a right side view thereof.

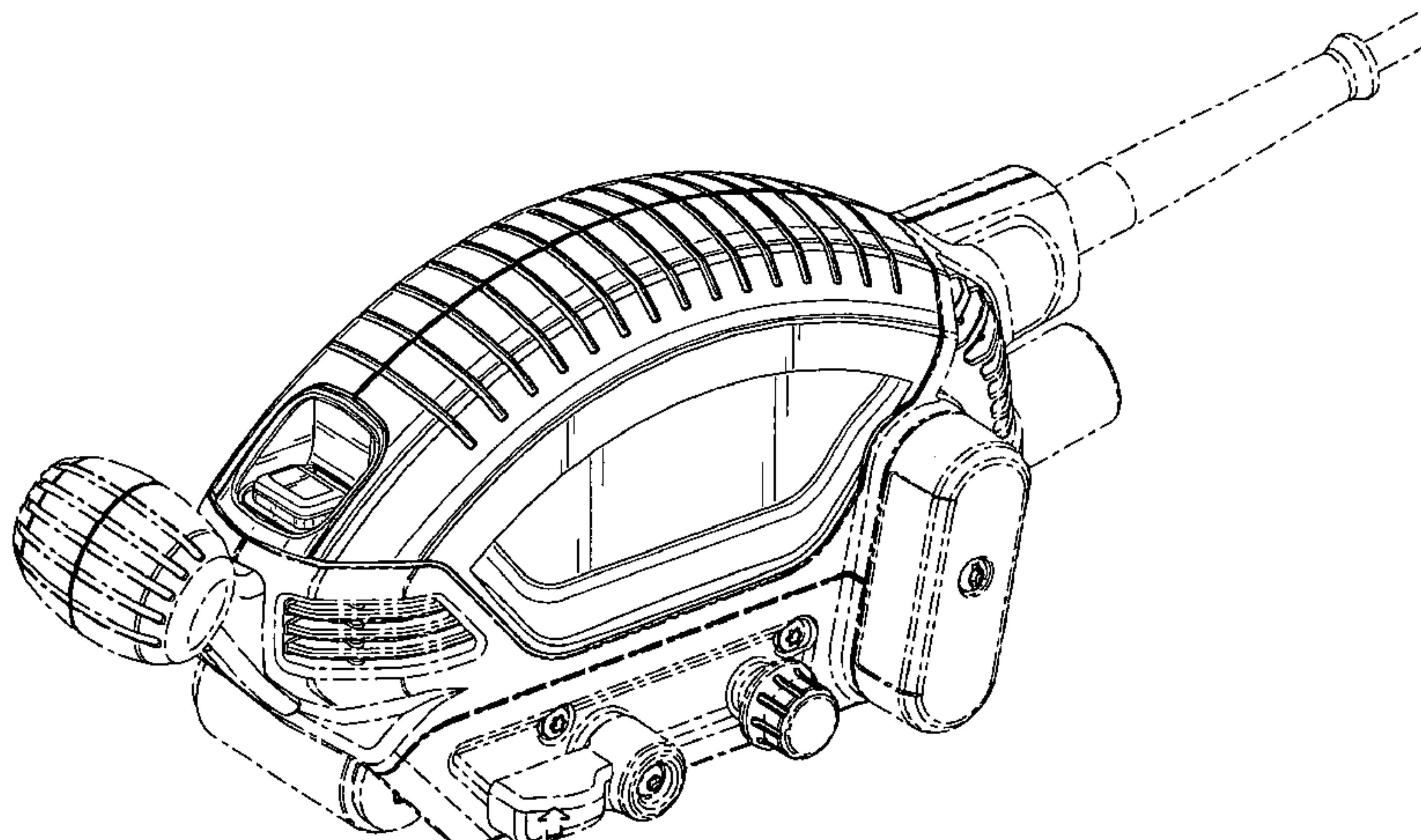
FIG. 6 is a left side view thereof.

FIG. 7 is top view thereof; and,

FIG. 8 is a bottom view thereof.

The broken lines shown in the drawings form no part of the claimed design.

**1 Claim, 7 Drawing Sheets**



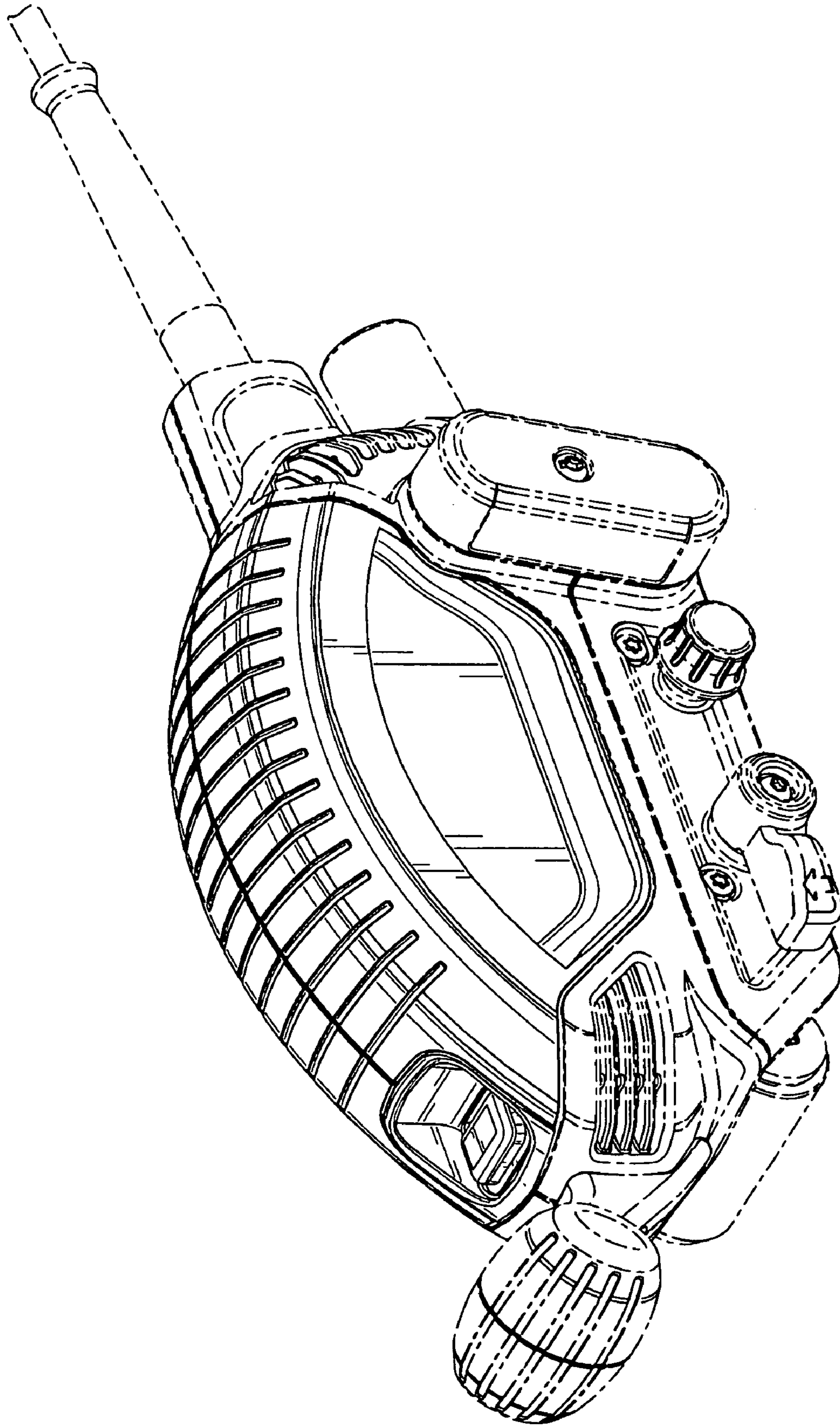


FIG. 1



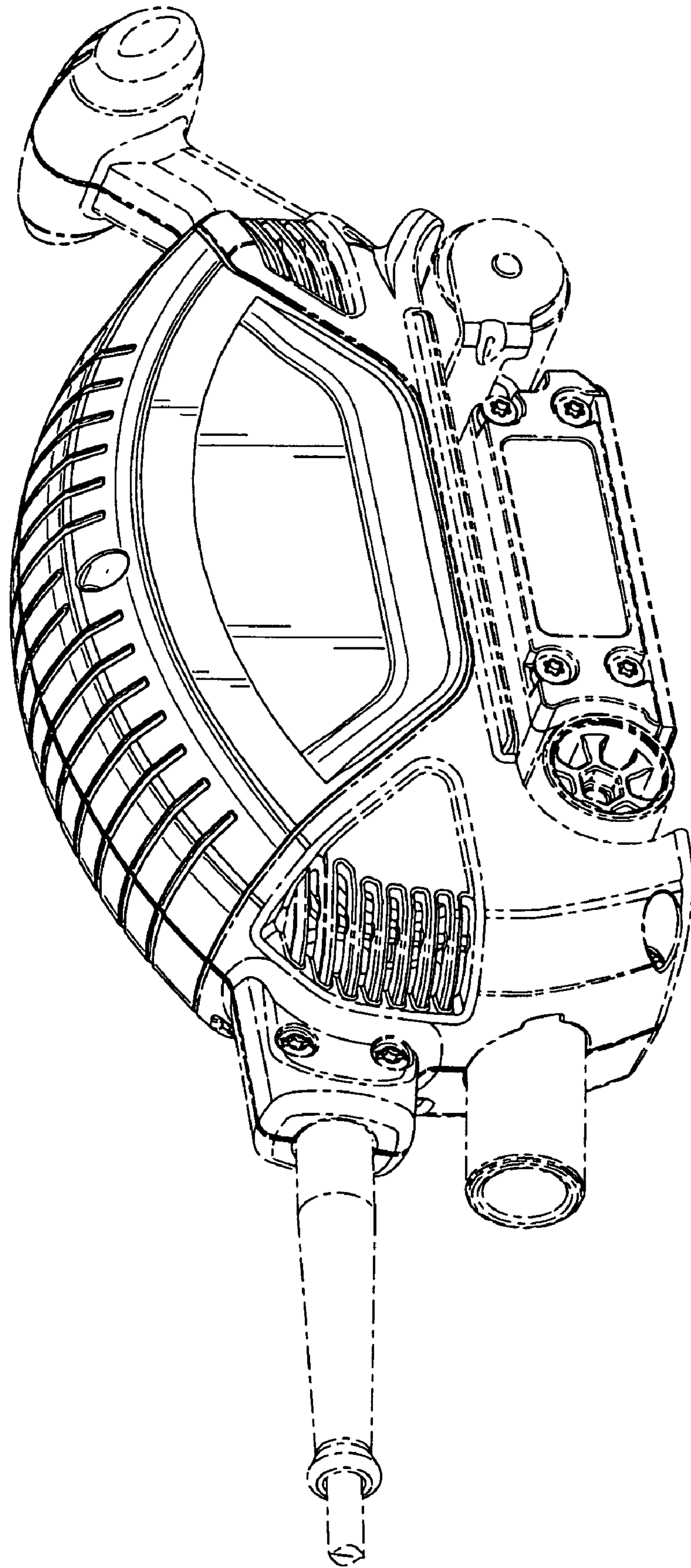


FIG. 2

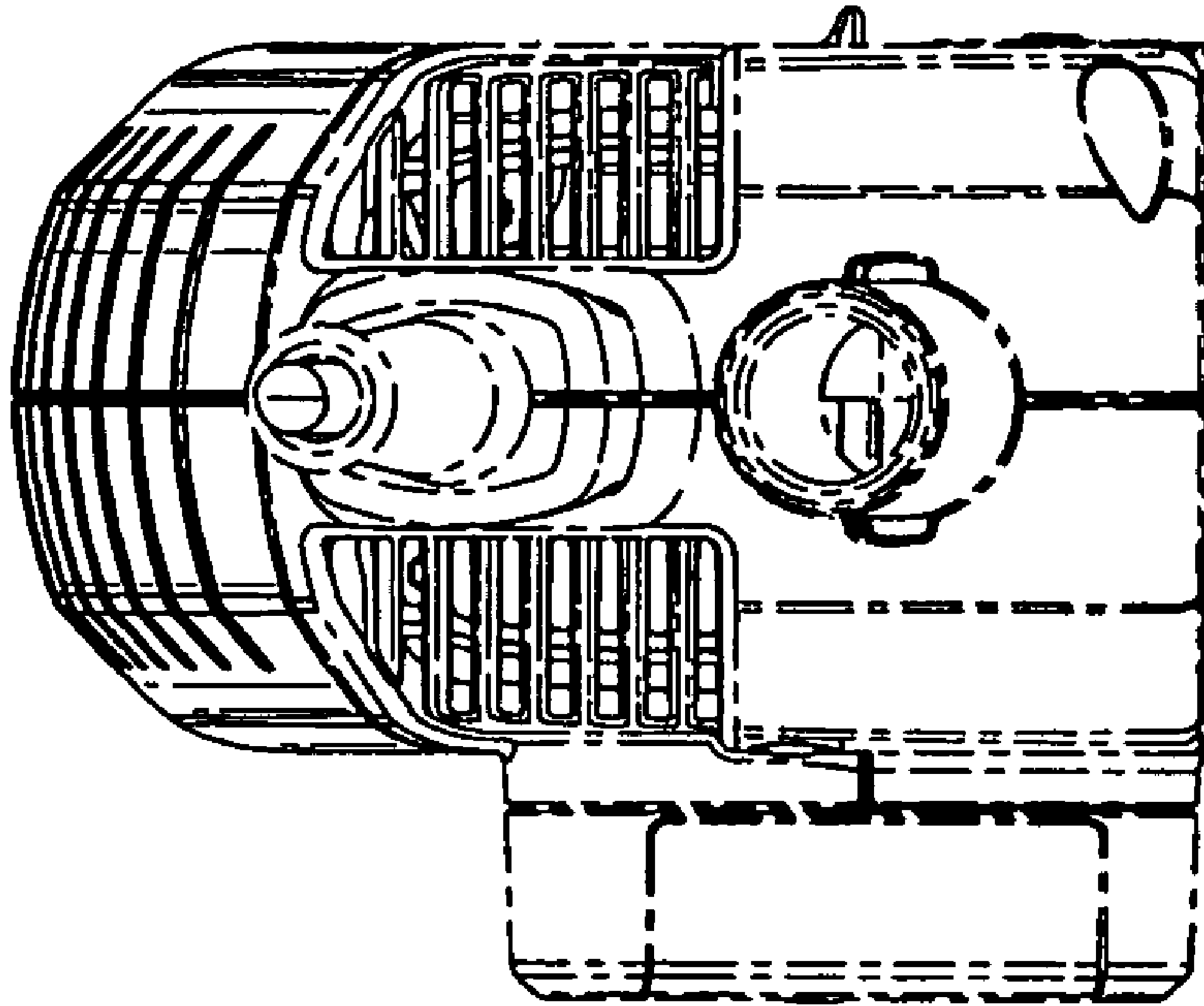


FIG. 4

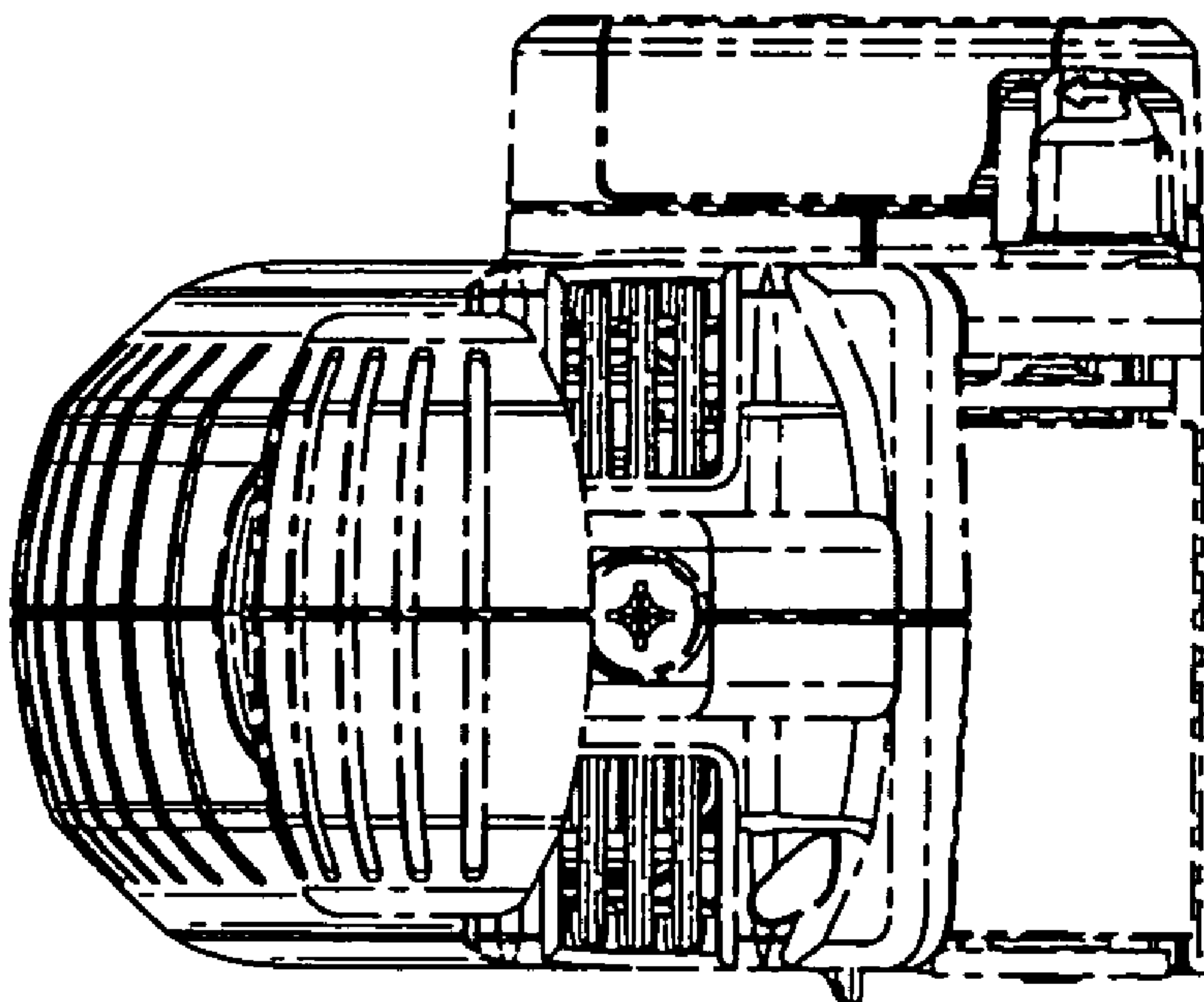


FIG. 3

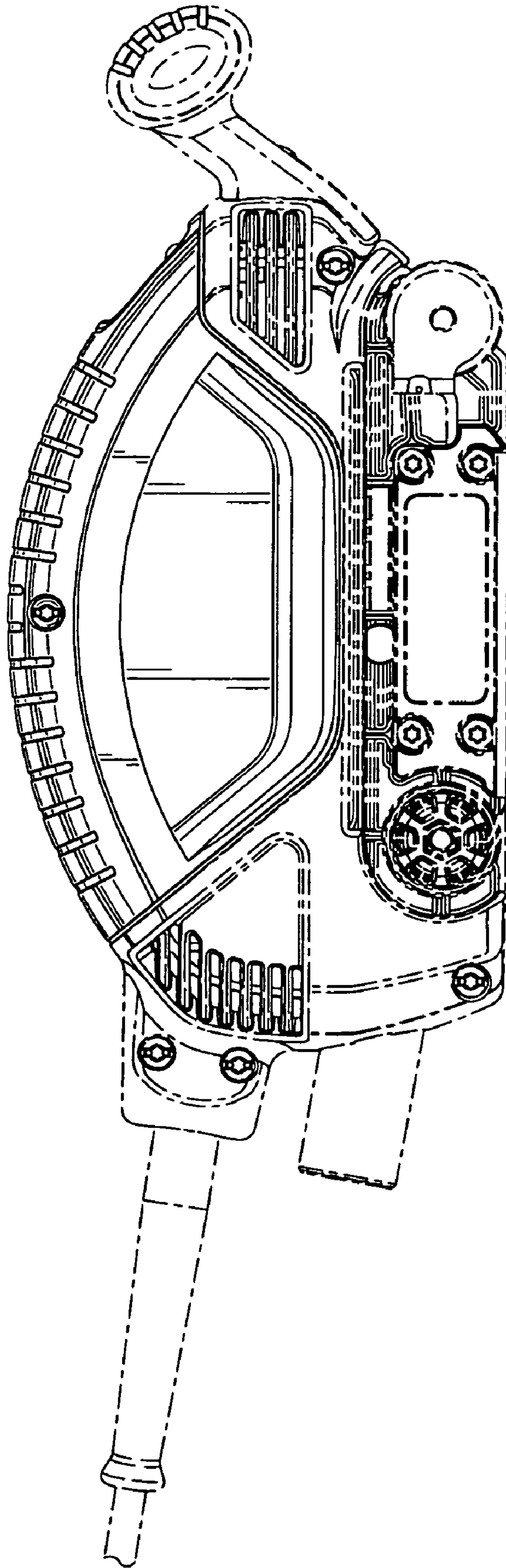


FIG. 5

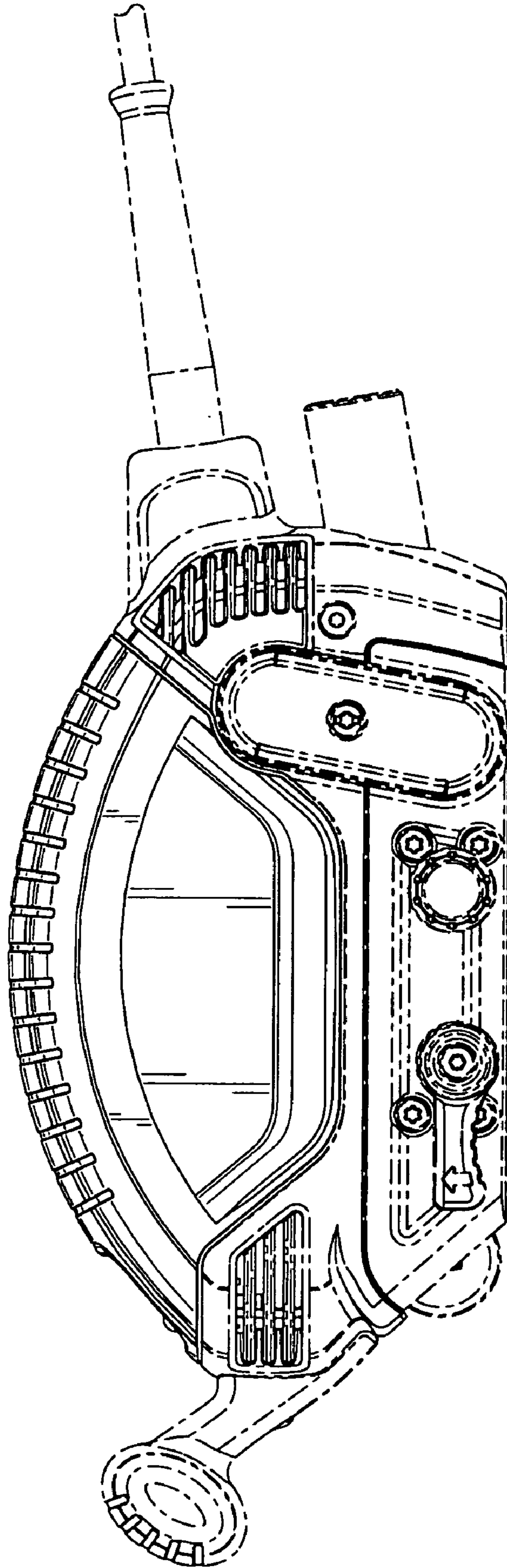


FIG. 6



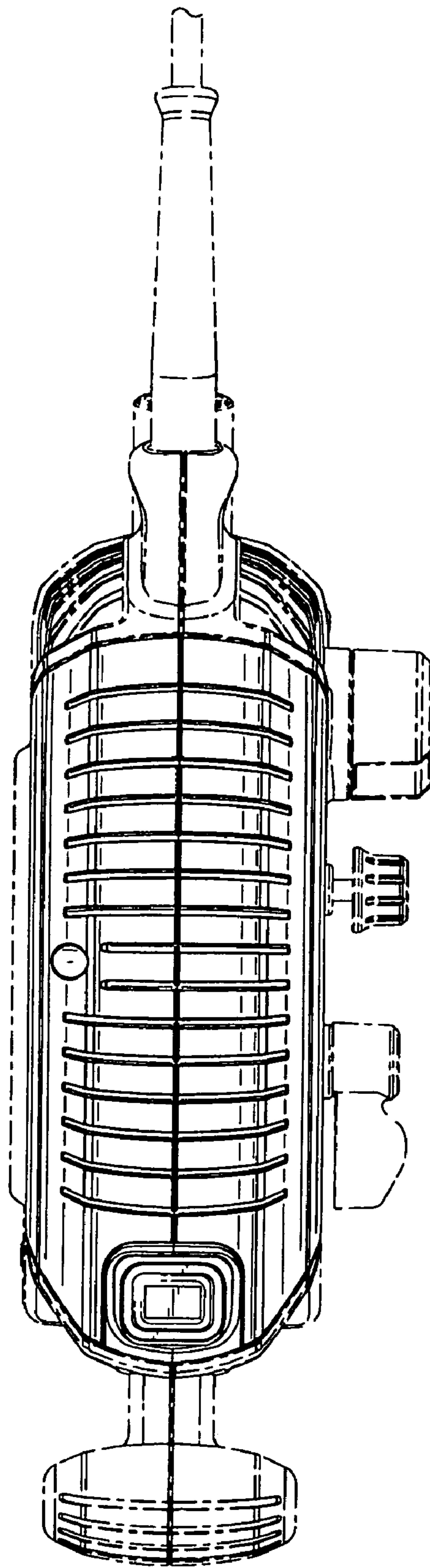


FIG. 7

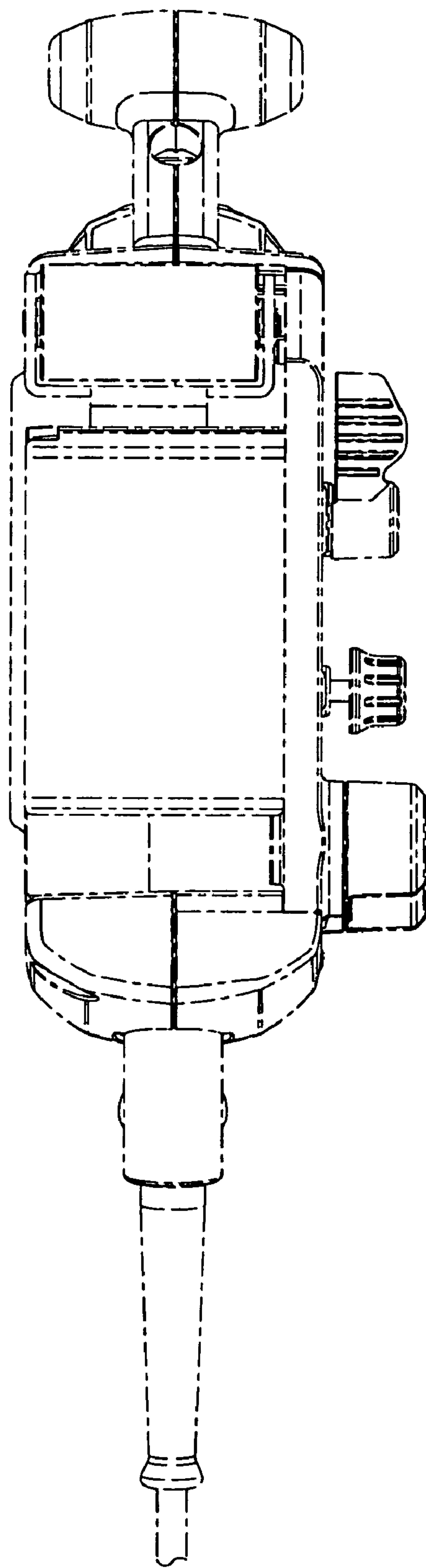


FIG. 8