



US00D555997S

(12) **United States Design Patent**
Geringer

(10) **Patent No.:** **US D555,997 S**

(45) **Date of Patent:** **** Nov. 27, 2007**

(54) **WINE OPENER STAND**

(75) Inventor: **Joseph Geringer**, Merrimack, NH (US)

(73) Assignee: **Brookstone Purchasing, Inc.**,
Merrimack, NH (US)

(**) Term: **14 Years**

(21) Appl. No.: **29/241,954**

(22) Filed: **Nov. 2, 2005**

(51) **LOC (8) Cl.** **07-99**

(52) **U.S. Cl.** **D8/39**

(58) **Field of Classification Search** D8/16,
D8/18, 19, 33-43, 88, 98, 105; D7/372,
D7/373, 381, 386, 665, 666, 669, 680; D27/142;
7/113, 151-156; 30/1.5, 113.1, 113.2, 113.3,
30/400-450; 81/3.07, 3.08, 3.09, 3.2, 3.27,
81/3.35, 3.4, 3.45, 3.48, 3.49, 3.55, 3.57
See application file for complete search history.

(56) **References Cited**

U.S. PATENT DOCUMENTS

- D442,043 S * 5/2001 Kao D8/39
- 6,357,322 B1 * 3/2002 Dolan et al. 81/3.37
- D481,599 S * 11/2003 Yu D8/39
- D496,241 S * 9/2004 Yu D8/39

- D517,882 S * 3/2006 Kushner D8/39
- D518,694 S * 4/2006 Yu D8/39
- D519,802 S * 5/2006 Henry D8/39
- D522,823 S * 6/2006 Henry D8/39

* cited by examiner

Primary Examiner—Robert M. Spear

Assistant Examiner—Garth Rademaker

(74) *Attorney, Agent, or Firm*—Tim L. Brackett, Jr.; Nixon Peabody LLP

(57) **CLAIM**

I claim the ornamental design for wine opener stand, as shown and described.

DESCRIPTION

FIG. 1 is a right side elevational view of a wine opener stand showing my new design;

FIG. 2 is a front elevational view thereof;

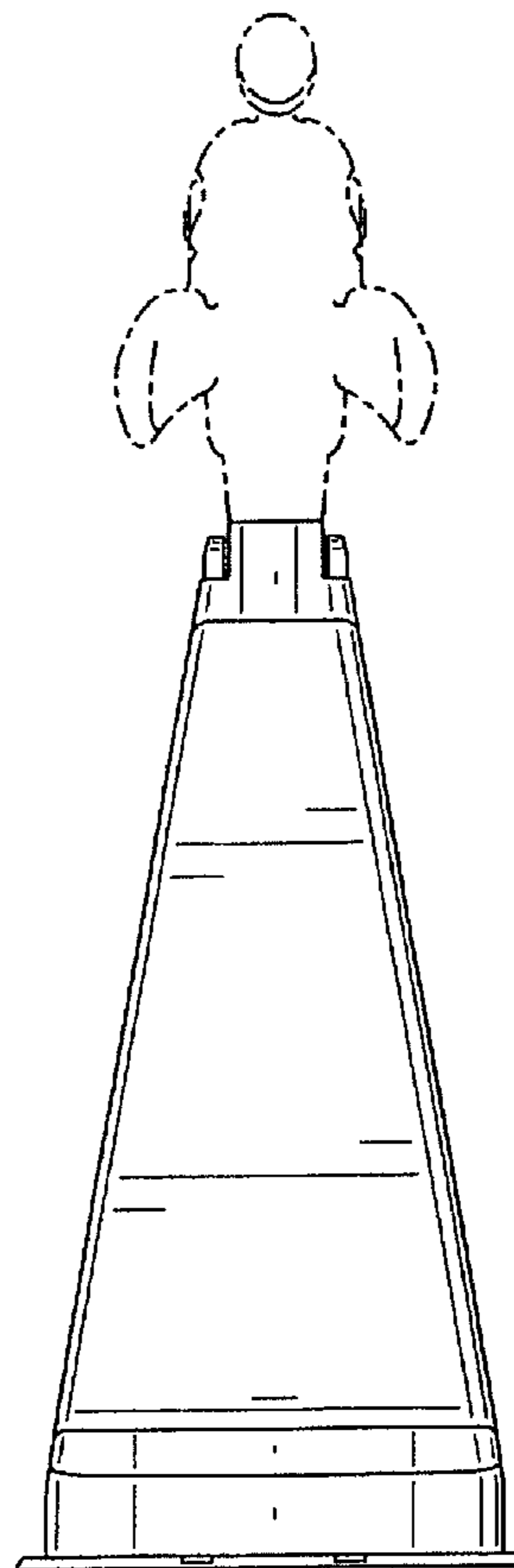
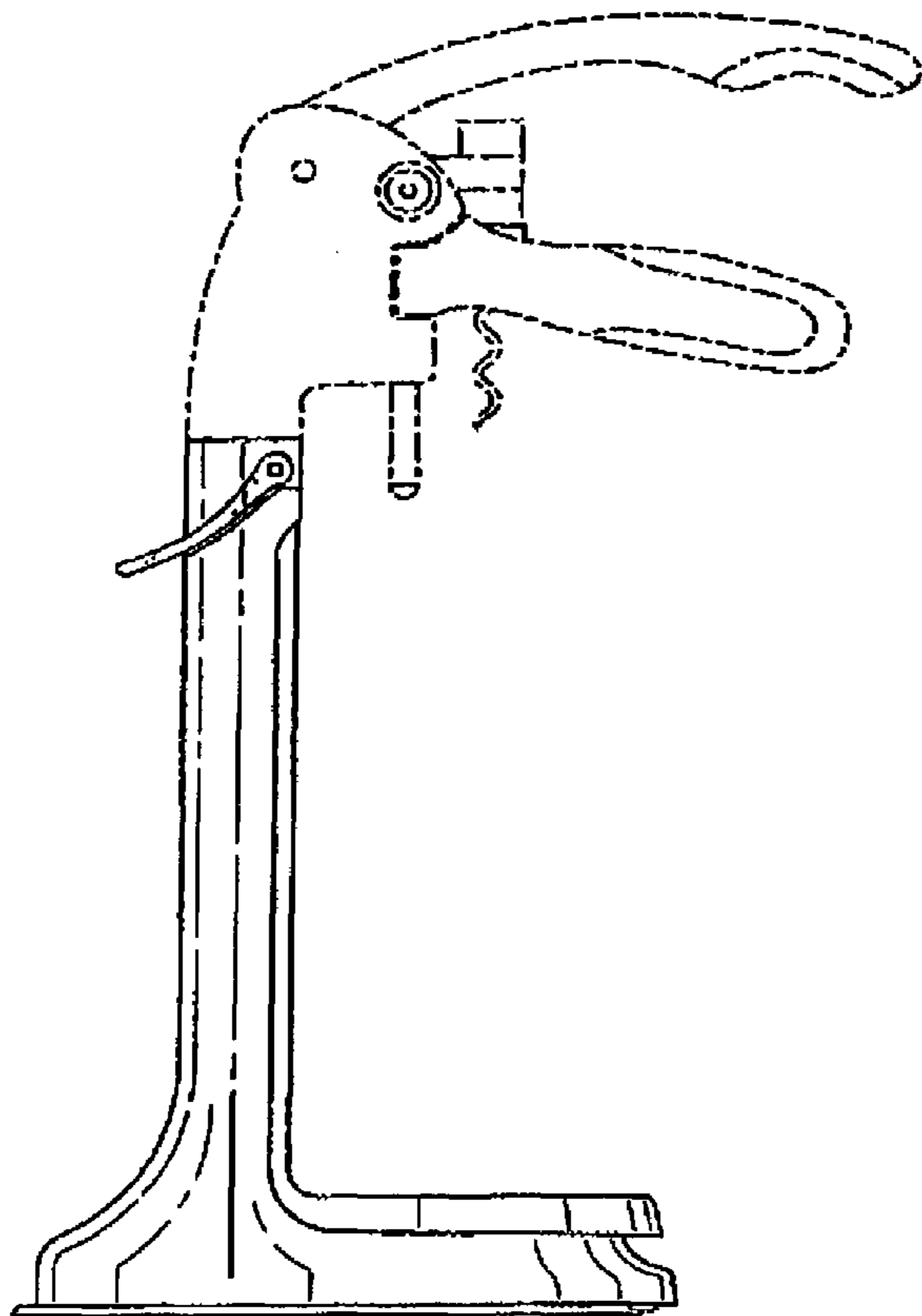
FIG. 3 is a rear elevational view thereof;

FIG. 4 is a top plan view thereof; and,

FIG. 5 is a bottom plan view thereof.

The broken lines shown in the drawings are for illustrated purposes only and forms no part of the claim design.

1 Claim, 5 Drawing Sheets



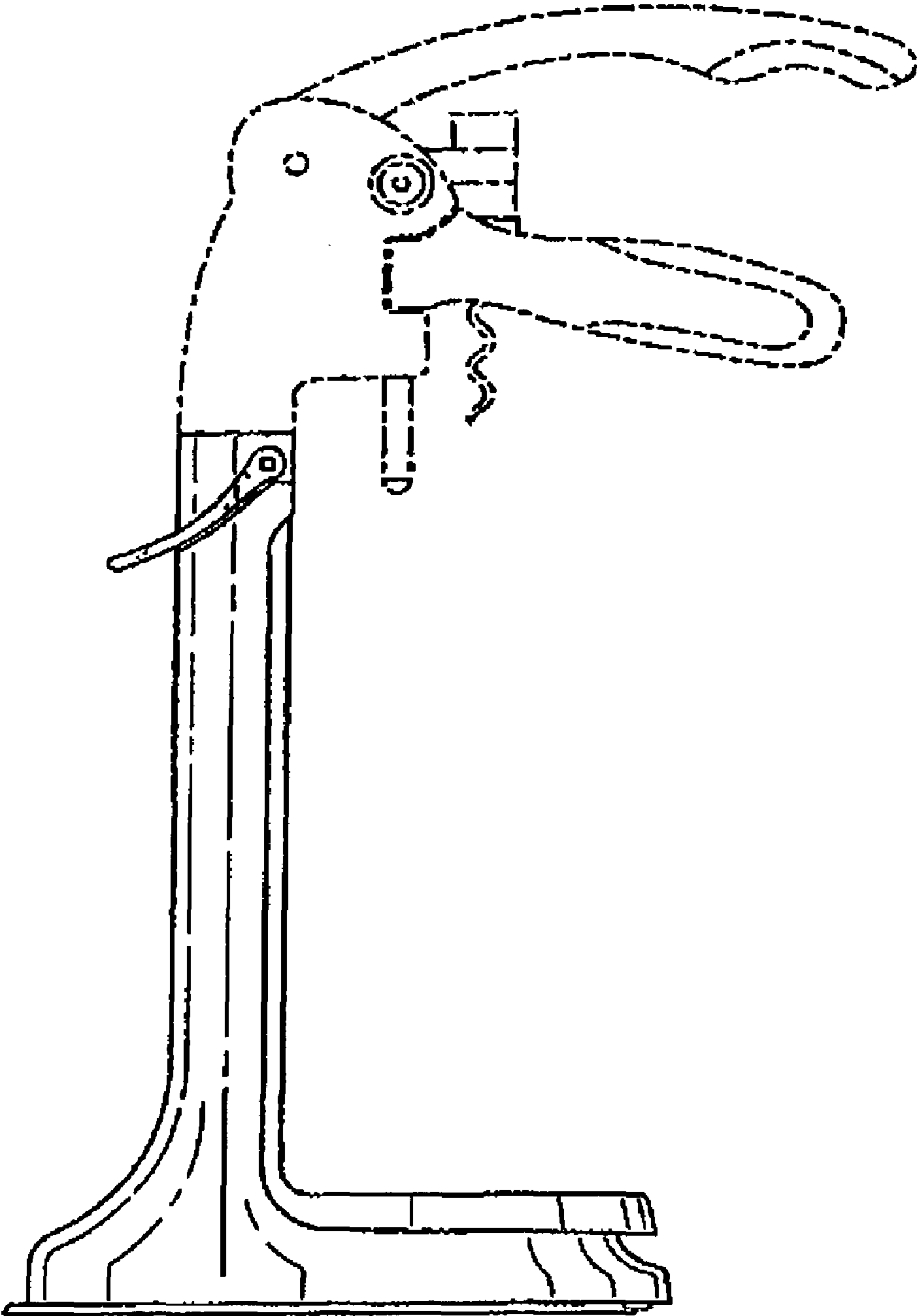


FIG. 1

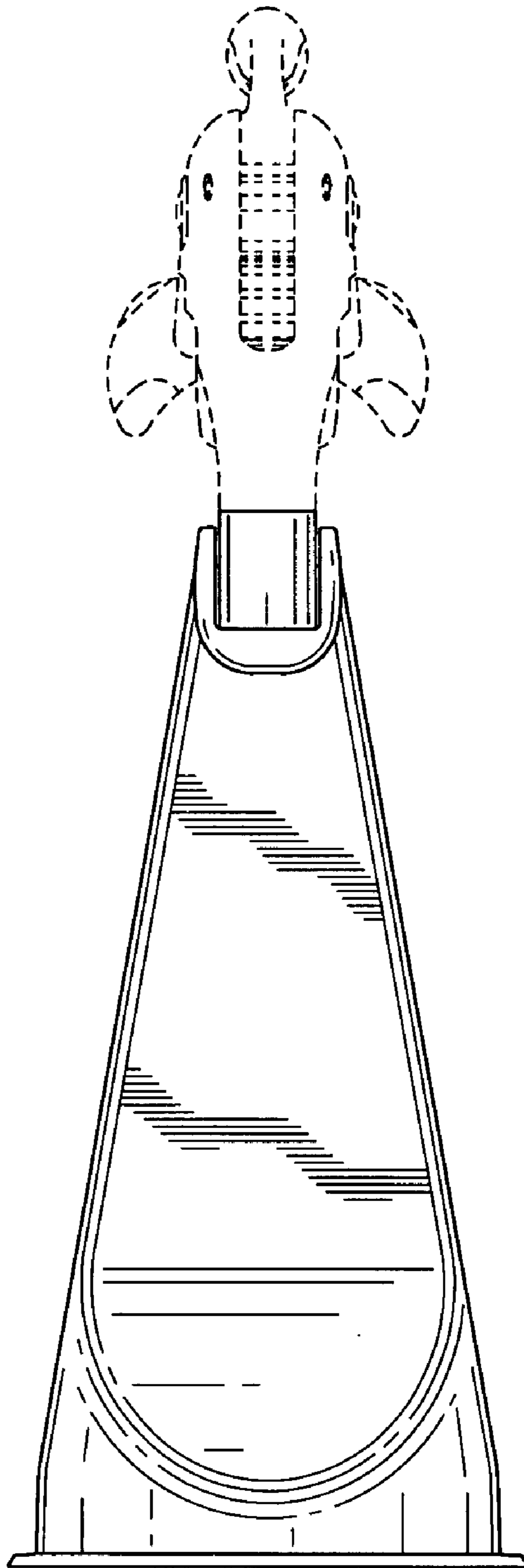


FIG. 2

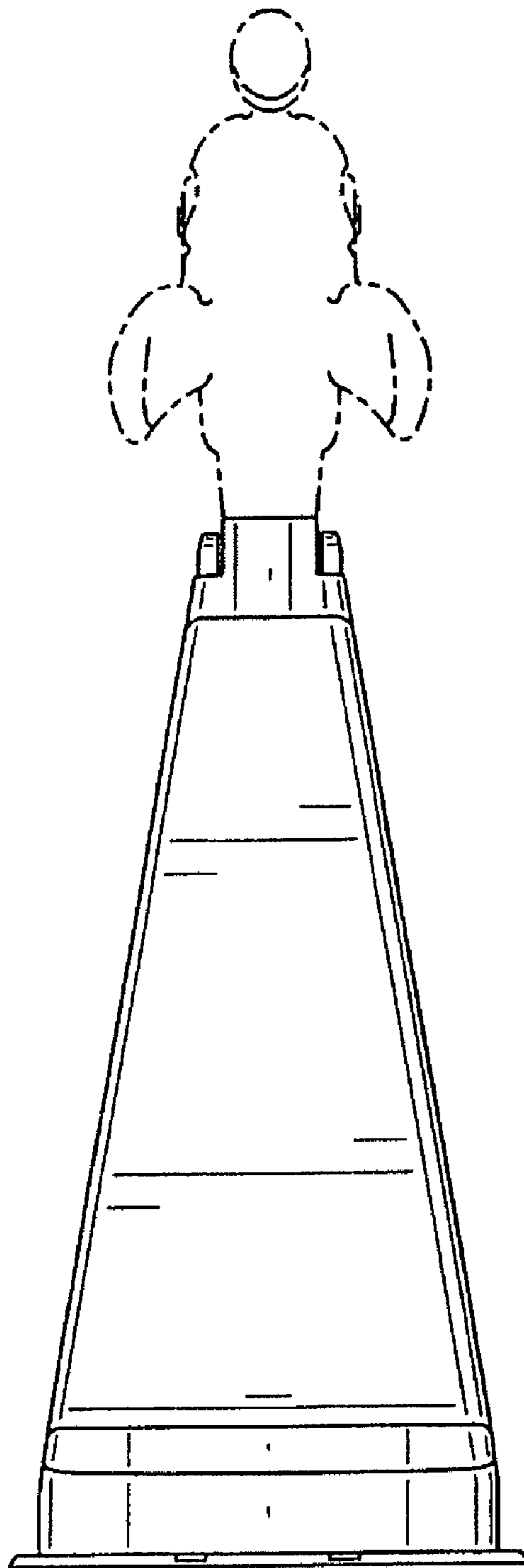


FIG. 3

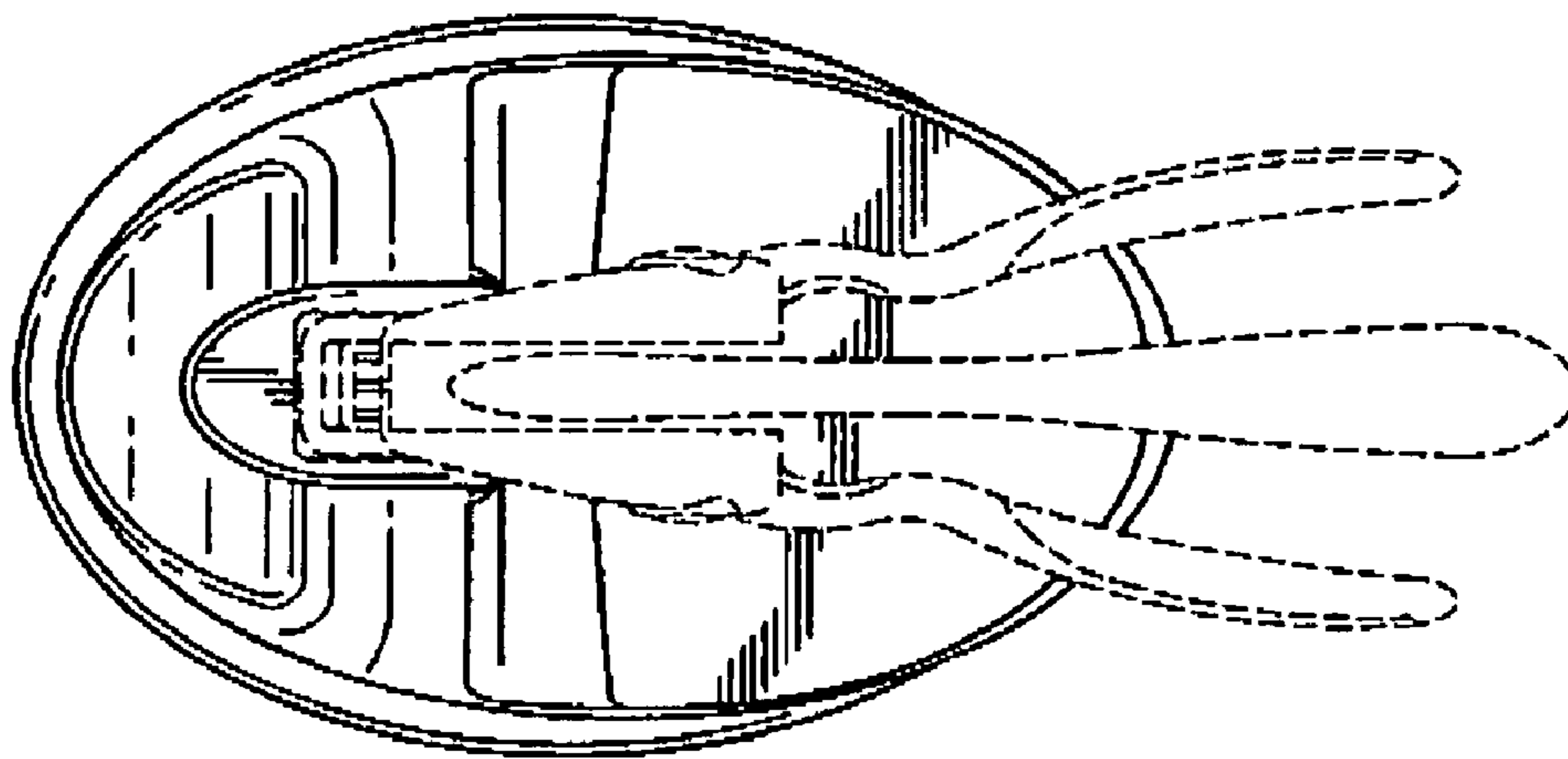


FIG. 4

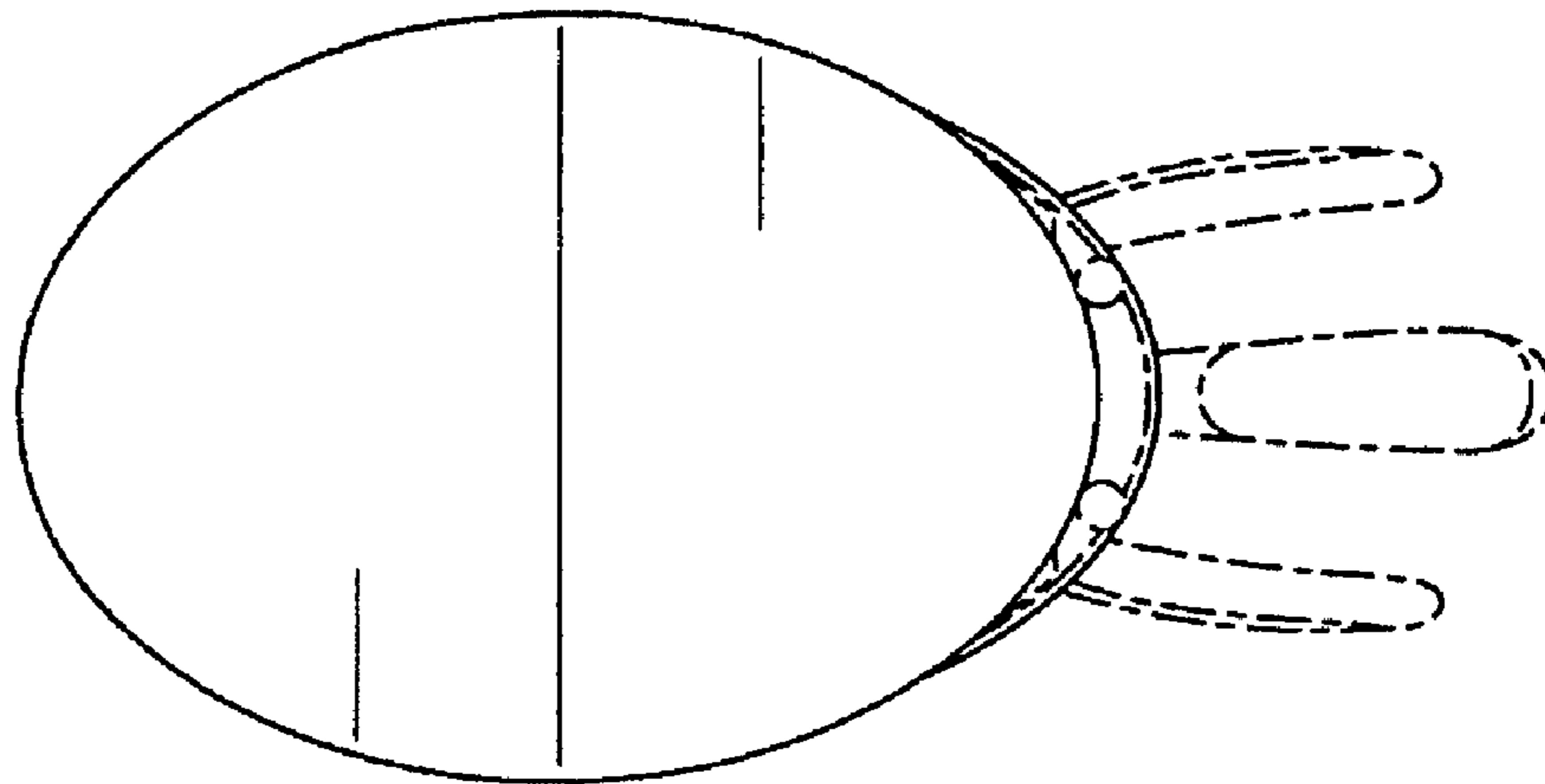


FIG. 5