



US00D555993S

(12) **United States Design Patent** (10) **Patent No.:** **US D555,993 S**
Huie (45) **Date of Patent:** **** Nov. 27, 2007**

(54) **WICK DIPPER**

(76) Inventor: **Bryce E. Huie**, P.O. Box 11027,
Memphis, TN (US) 38111

(**) Term: **14 Years**

(21) Appl. No.: **29/254,266**

(22) Filed: **Feb. 21, 2006**

(51) **LOC (8) Cl.** **08-05**

(52) **U.S. Cl.** **D8/19**

(58) **Field of Classification Search** D8/14,
D8/16, 18, 19, 33, 40-43, 71, 88, 367; D18/56,
D18/57; D19/65; D26/23; D27/195, 196;
D99/99; 7/170; 81/488; 264/305; 431/120
See application file for complete search history.

(56) **References Cited**

U.S. PATENT DOCUMENTS

1,615,073	A *	1/1927	Deal	81/488
D245,830	S *	9/1977	DE Gross	D8/18
D296,656	S *	7/1988	Johnson, Sr.	D8/16
5,133,719	A *	7/1992	Winston	606/79
D344,665	S *	3/1994	Baker	D8/88
D397,015	S *	8/1998	Hall et al.	D8/88
D450,676	S *	11/2001	Huttner	D24/147
D479,965	S *	9/2003	Song	D8/33
D507,157	S *	7/2005	Youngblood	D7/642

D511,287	S *	11/2005	Lake	D8/88
D514,271	S *	2/2006	DeSetta	D1/106
D522,326	S *	6/2006	Chance et al.	D8/14
2004/0064956	A1 *	4/2004	Tsai	30/342

* cited by examiner

Primary Examiner—Robert M. Spear
Assistant Examiner—Garth Rademaker
(74) *Attorney, Agent, or Firm*—Joe D. Calhoun

(57) **CLAIM**

The ornamental design for a wick dipper, as shown and described.

DESCRIPTION

FIG. 1 is a perspective view of a wick dipper showing my new design;

FIG. 2 is a bottom plan view thereof;

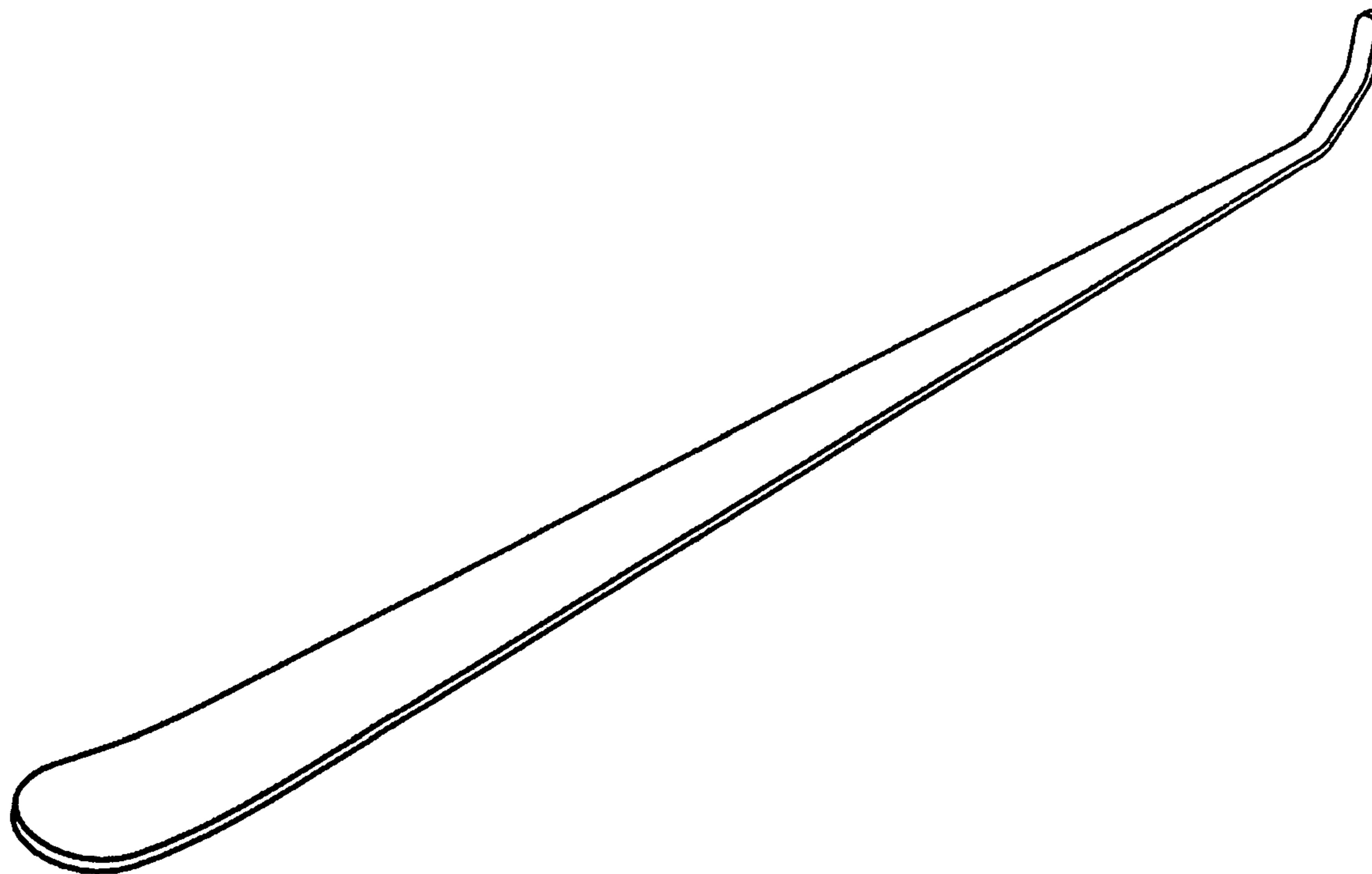
FIG. 3 is a top plan view thereof;

FIG. 4 is a front elevation view thereof, shown at an enlarged scale;

FIG. 5 is a rear elevation view thereof; and,

FIG. 6 is a right side elevation view thereof, shown at a reduced scale, the left side view being a mirror image thereof.

1 Claim, 4 Drawing Sheets



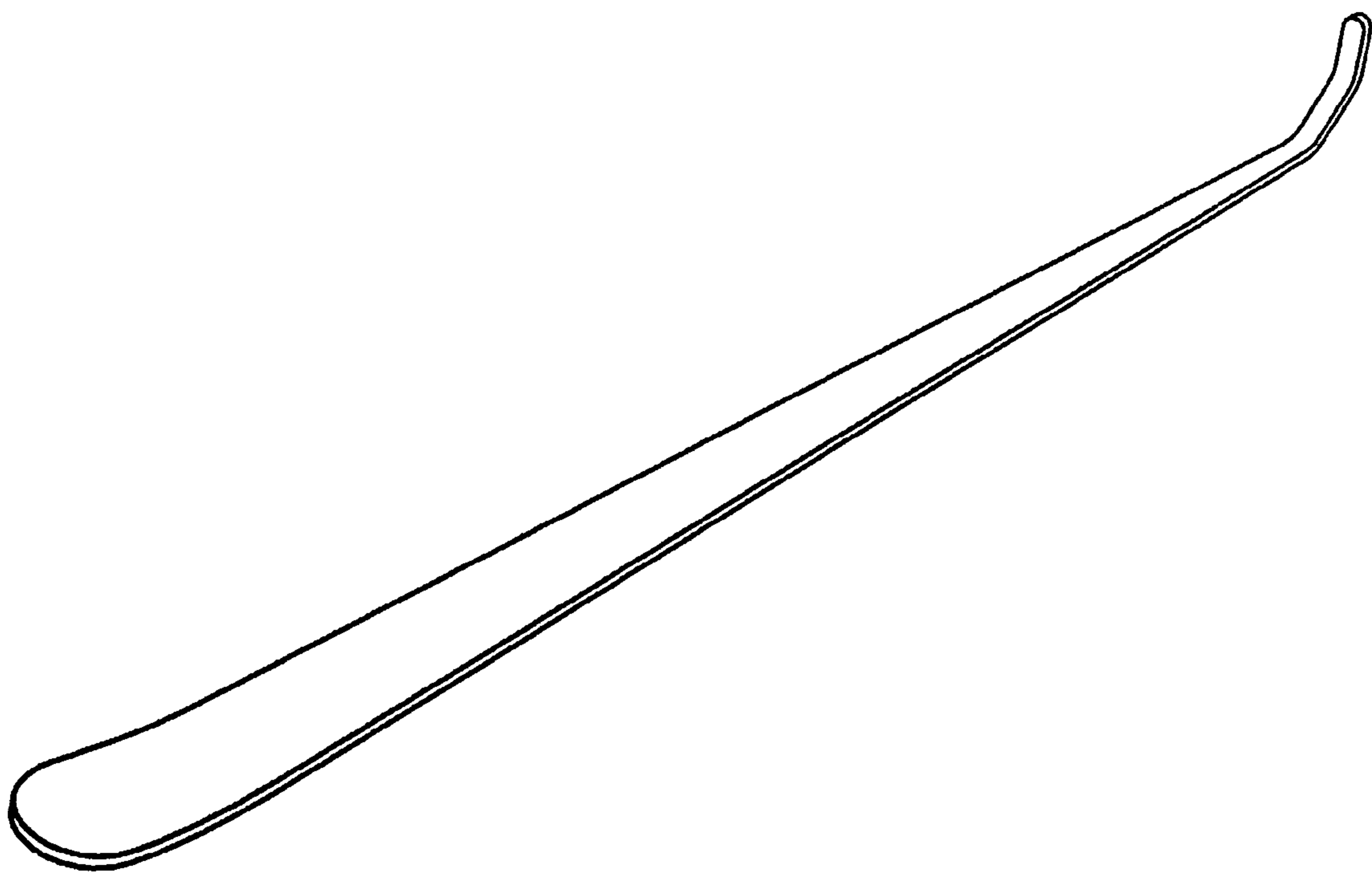


FIG. 1

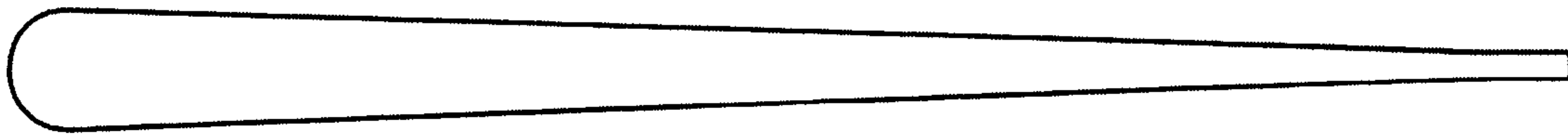


FIG. 2

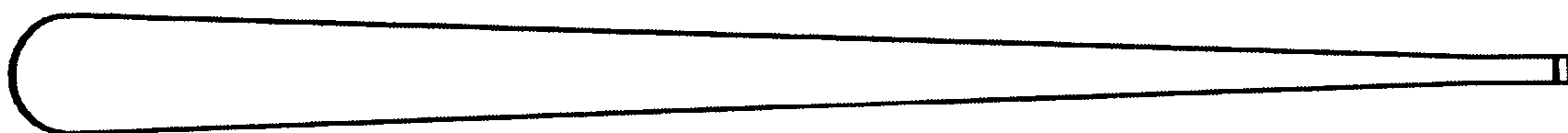


FIG. 3

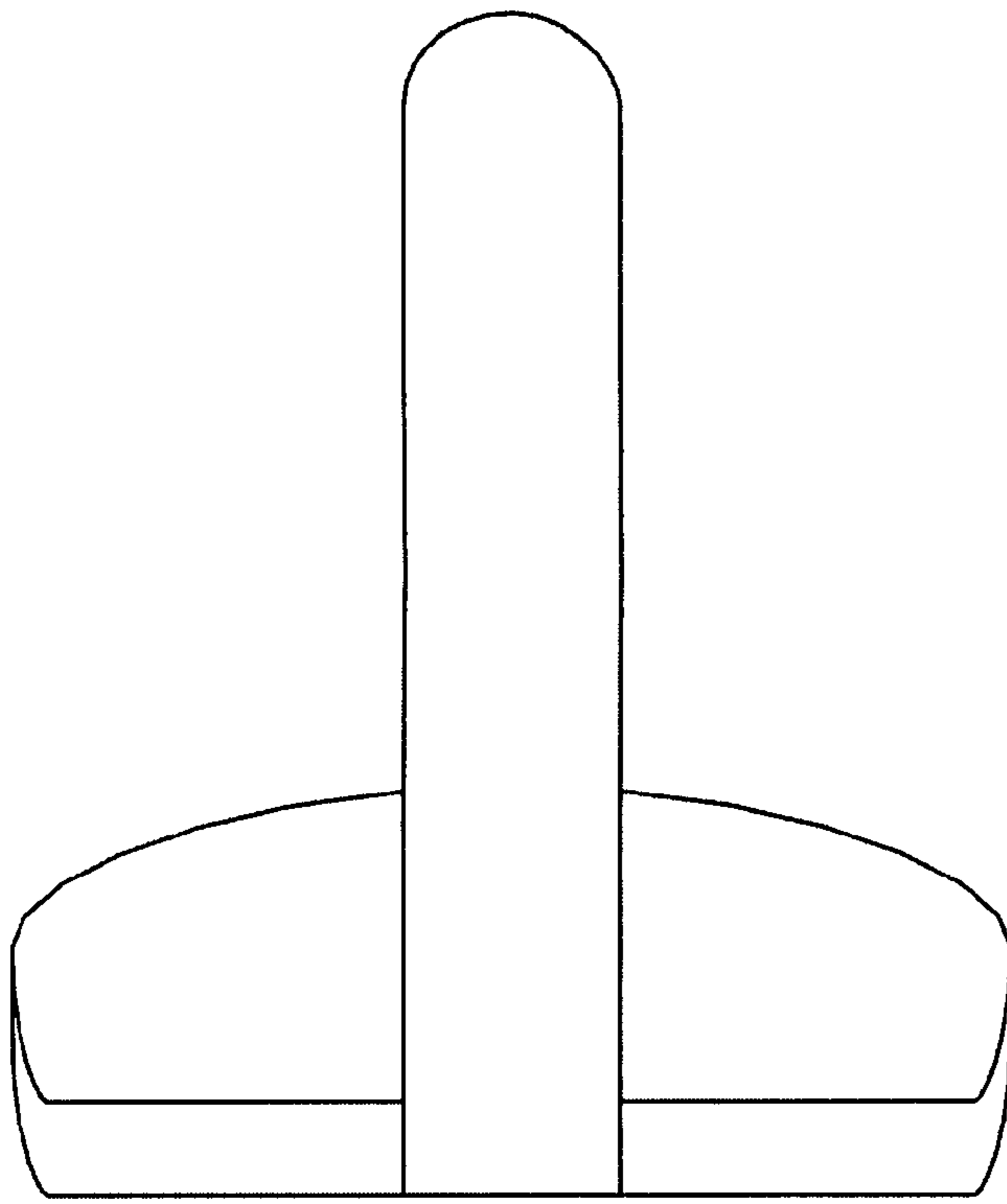


FIG. 4

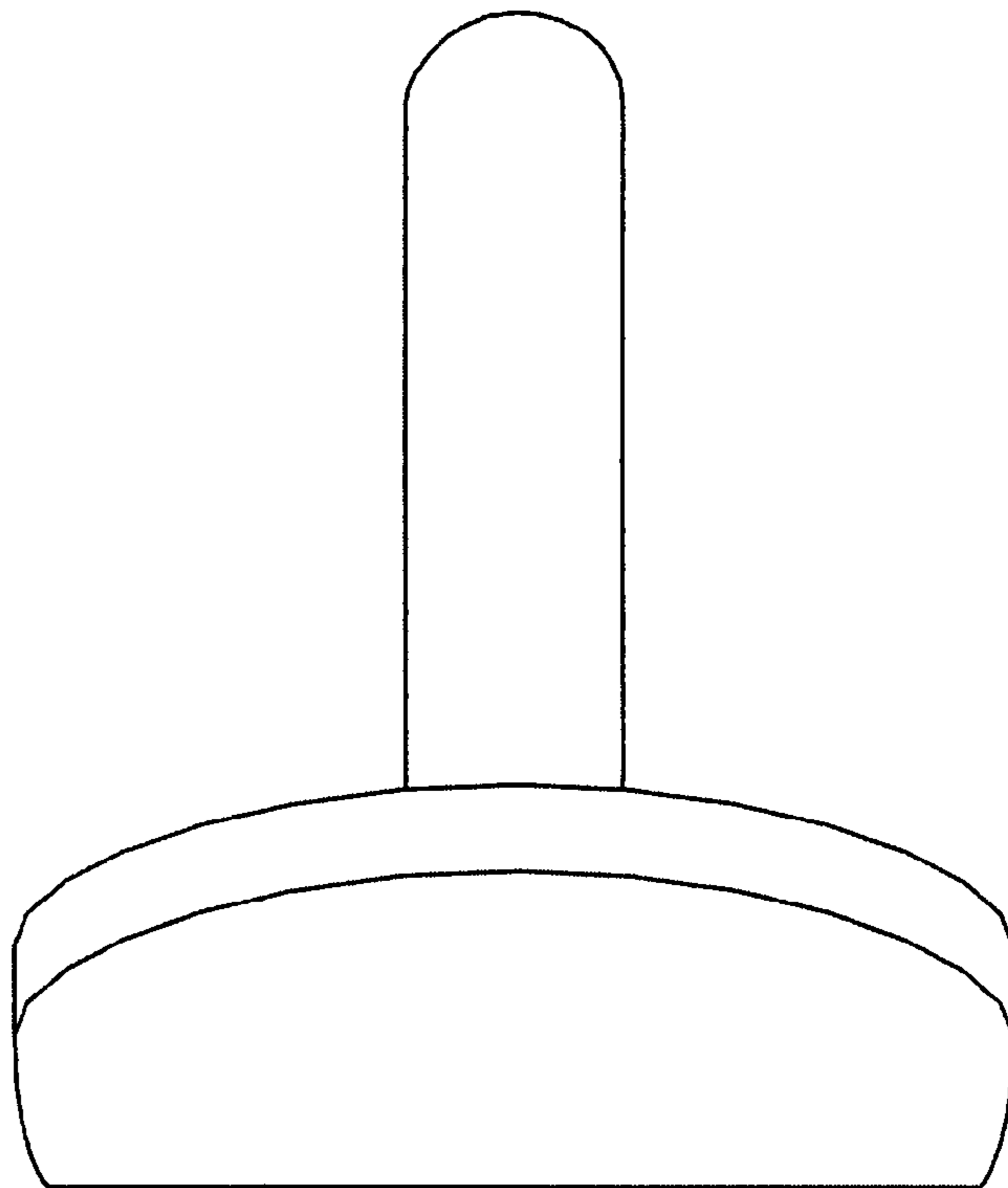


FIG. 5

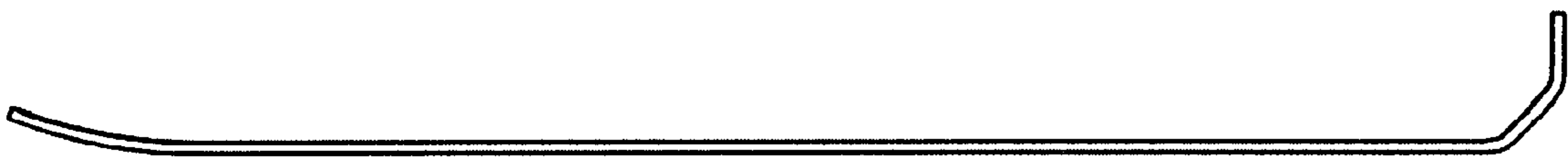


FIG. 6