



US00D555992S

(12) **United States Design Patent** (10) **Patent No.:** **US D555,992 S**  
**Qiu** (45) **Date of Patent:** **\*\* Nov. 27, 2007**

- (54) **HEDGE TRIMMER**
- (75) Inventor: **Xunzhuang Qiu**, Jiangsu (CN)
- (73) Assignee: **Chervon International Trading Co.**, Nanjing (CN)
- (\*\*) Term: **14 Years**
- (21) Appl. No.: **29/256,580**
- (22) Filed: **Mar. 22, 2006**
- (30) **Foreign Application Priority Data**  
Oct. 27, 2005 (CN) ..... 2005 3 0131252
- (51) **LOC (8) Cl.** ..... **08-01**
- (52) **U.S. Cl.** ..... **D8/8**
- (58) **Field of Classification Search** ..... D8/7-9;  
30/208; 56/233-237  
See application file for complete search history.

- (56) **References Cited**  
U.S. PATENT DOCUMENTS
- D285,894 S \* 9/1986 Kawakami et al. .... D8/8
- D323,771 S \* 2/1992 Alsup et al. .... D8/8
- D349,436 S \* 8/1994 Griffin et al. .... D8/8
- D376,740 S \* 12/1996 Gildersleeve ..... D8/8
- D388,291 S \* 12/1997 Gildersleeve ..... D8/8
- D460,329 S \* 7/2002 Waldron ..... D8/9
- D462,882 S \* 9/2002 Evans ..... D8/8

- D463,228 S \* 9/2002 Cooper ..... D8/8
- D463,229 S \* 9/2002 Gabriel ..... D8/8
- 6,446,421 B1 \* 9/2002 Kramer et al. .... 56/233
- D468,600 S \* 1/2003 Evans ..... D8/8

\* cited by examiner

*Primary Examiner*—Holly H. Baynham  
*Assistant Examiner*—Sheryl Friedman  
(74) *Attorney, Agent, or Firm*—Butzel Long

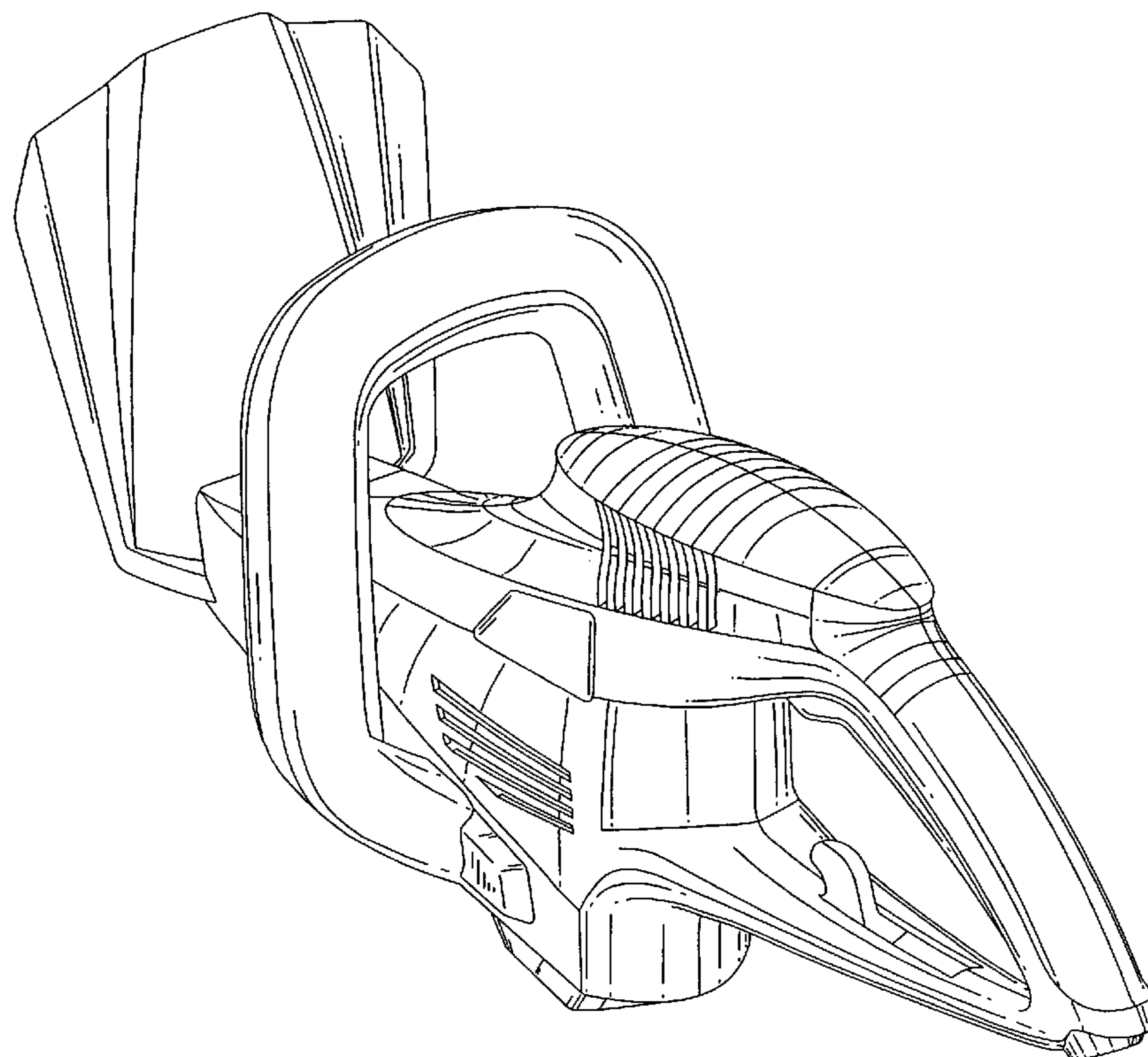
(57) **CLAIM**

The ornamental design for a hedge trimmer, as shown and described.

**DESCRIPTION**

FIG. 1 is a front elevational view of the design;  
FIG. 2 is a rear elevational view of the hedge trimmer in FIG. 1;  
FIG. 3 is a left side elevational view of the hedge trimmer in FIG. 1;  
FIG. 4 is a right side elevational view of the hedge trimmer in FIG. 1;  
FIG. 5 is a top plan view of the hedge trimmer in FIG. 1;  
FIG. 6 is a bottom plan view of the hedge trimmer in FIG. 1; and,  
FIG. 7 is a perspective view of the hedge trimmer of FIG. 1.

**1 Claim, 7 Drawing Sheets**



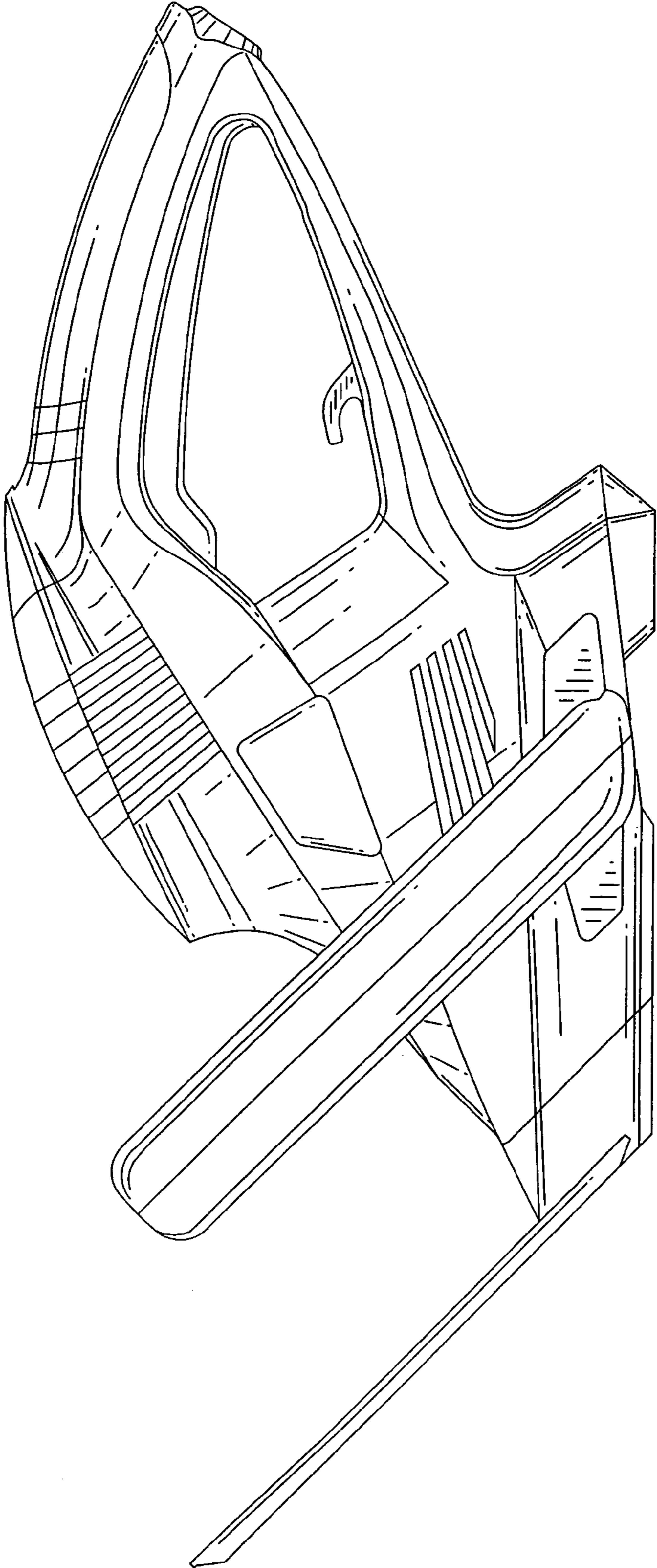


fig 1

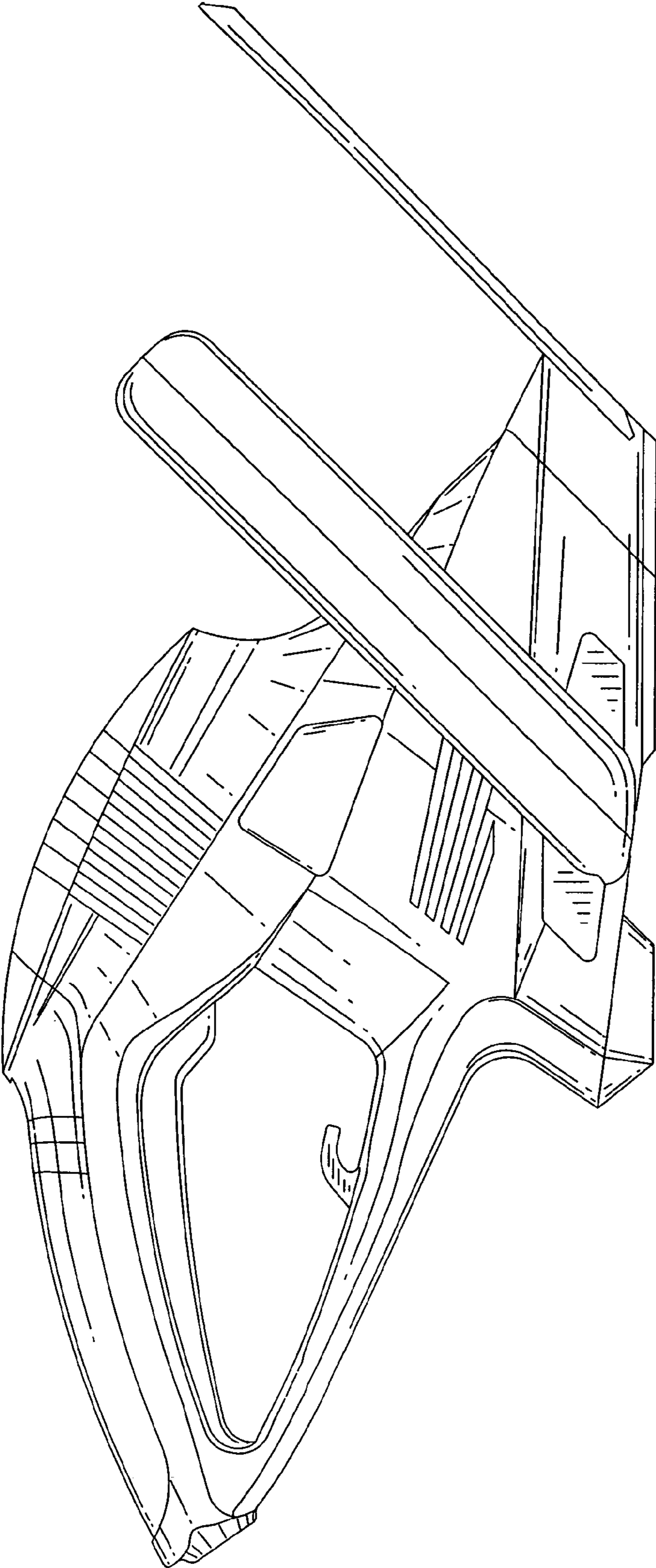


fig2

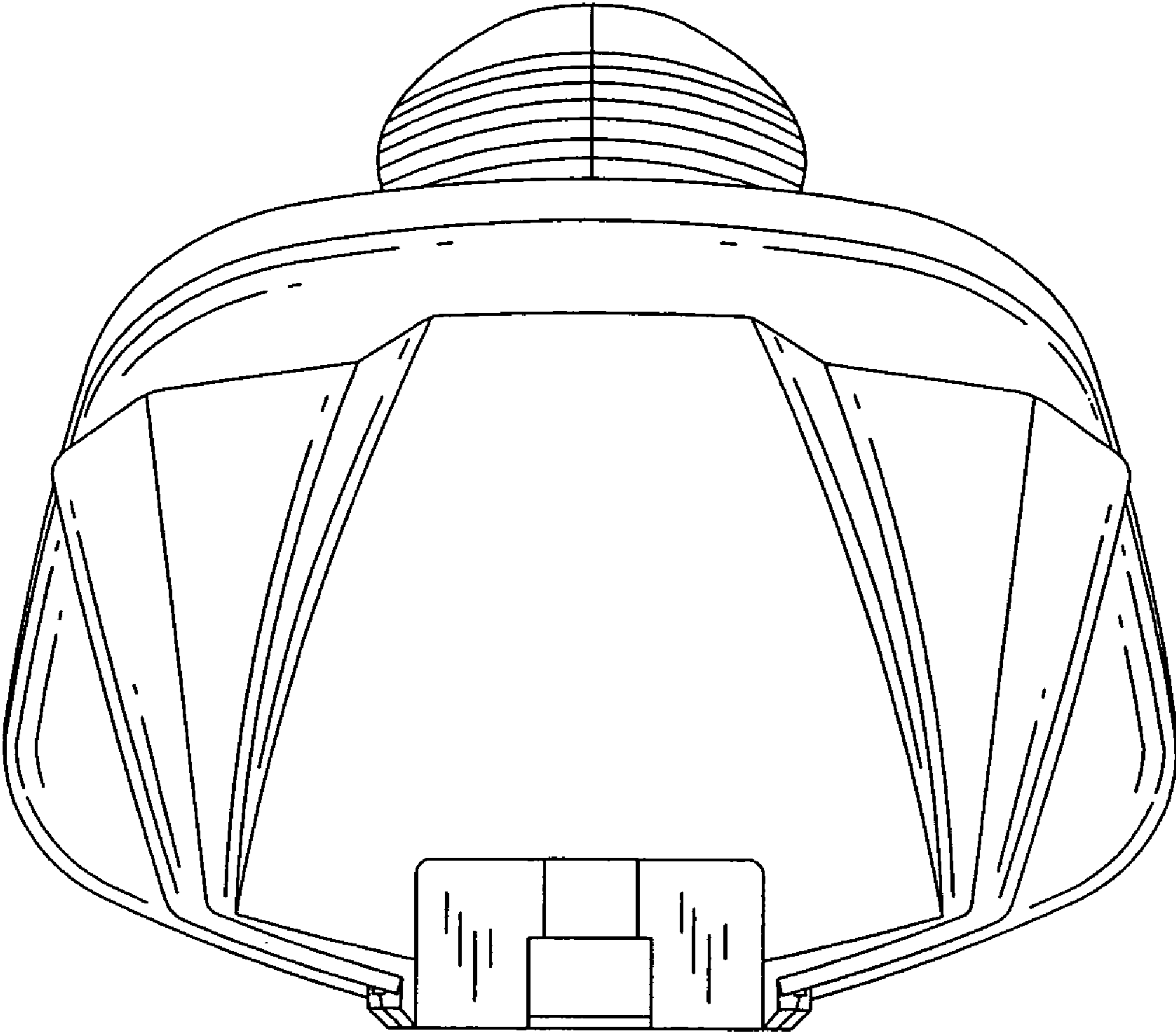


fig3

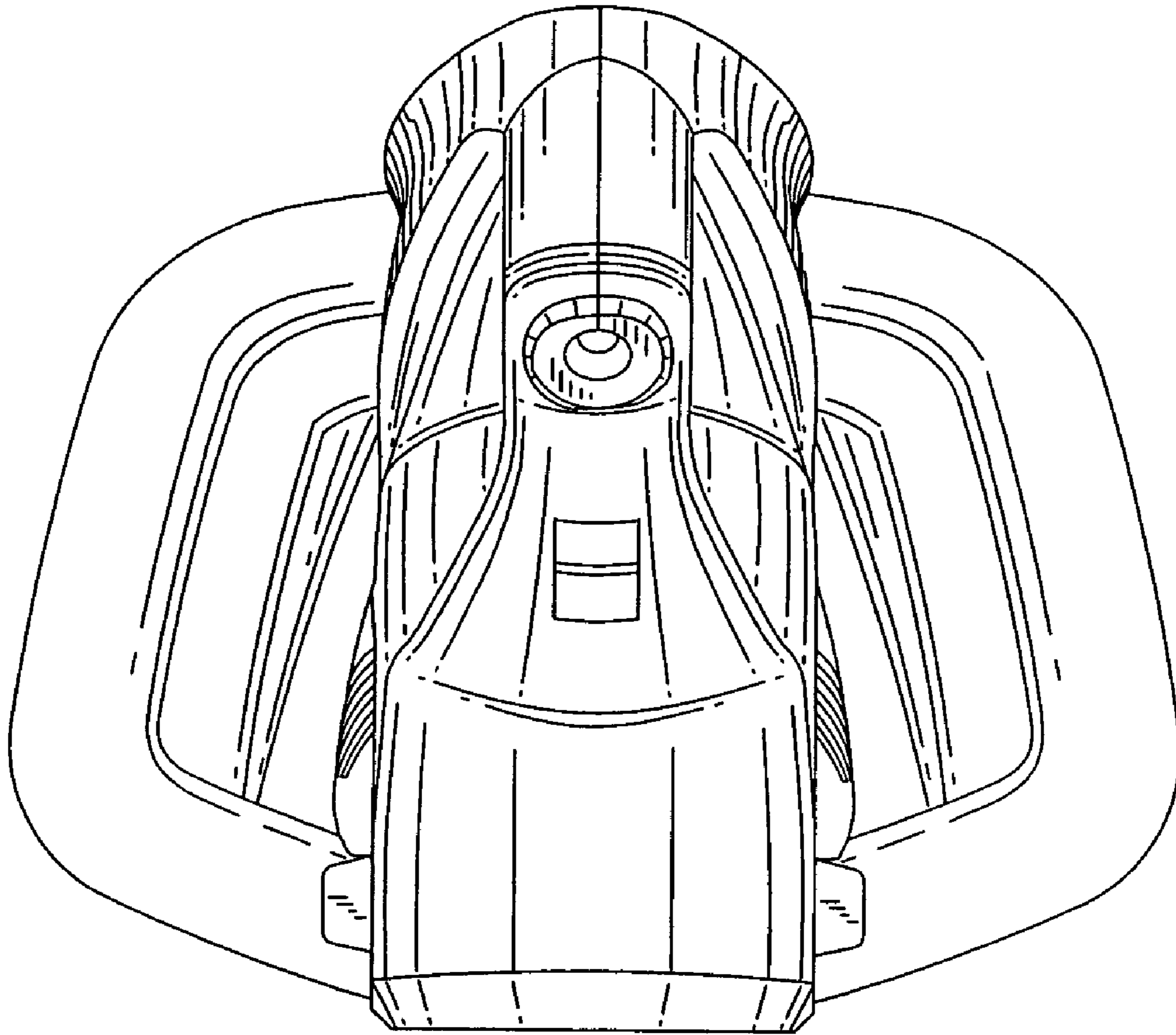


fig4

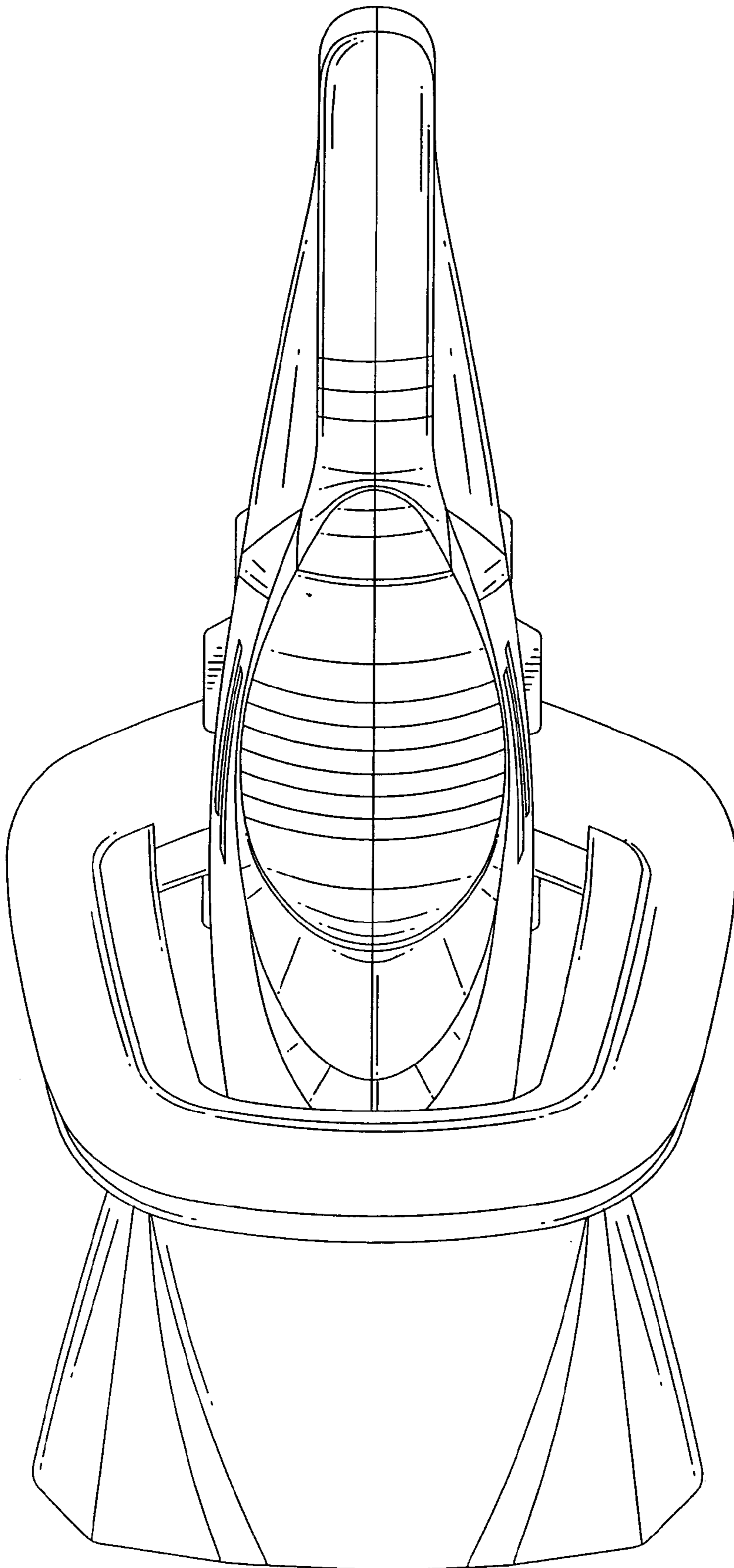


fig 5

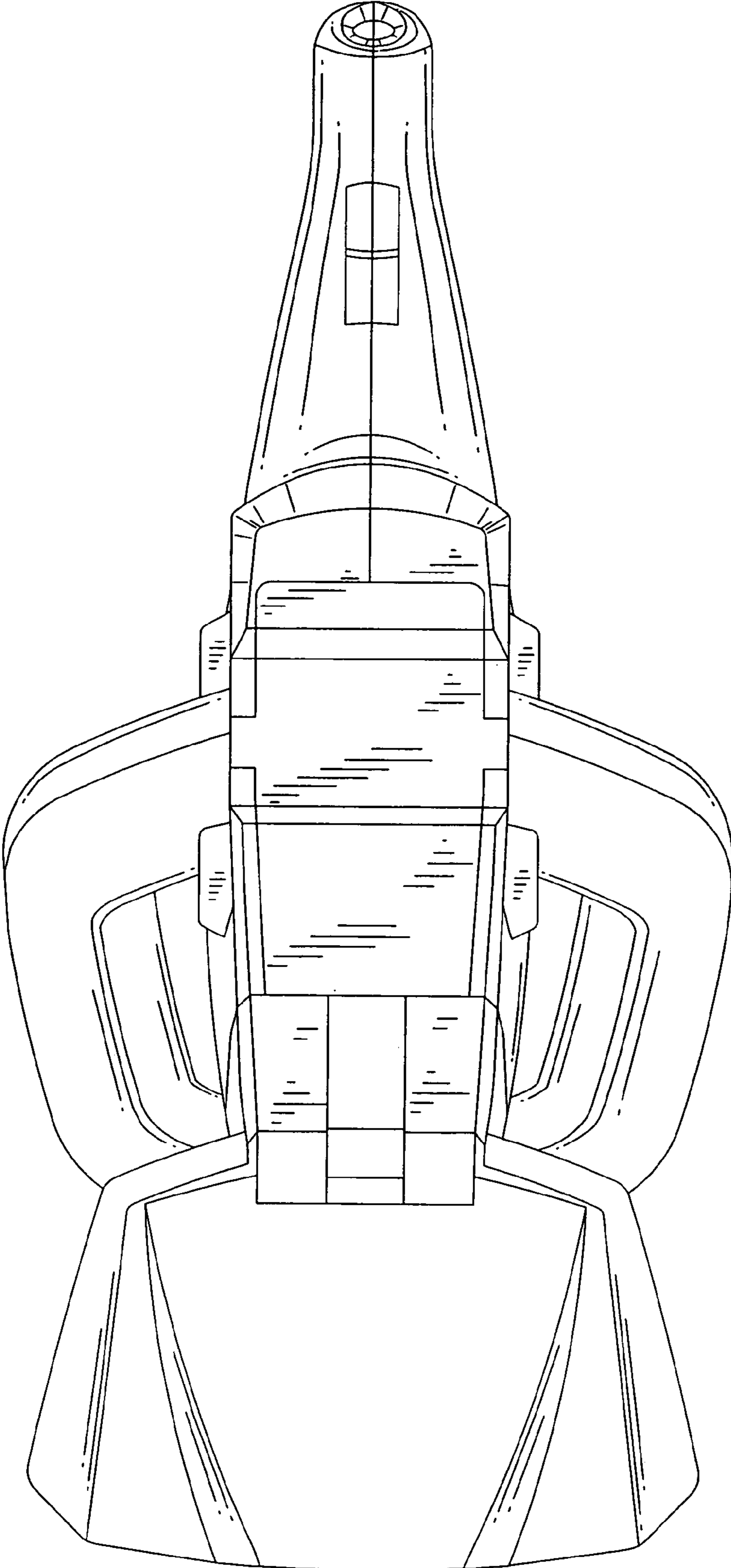


fig 6

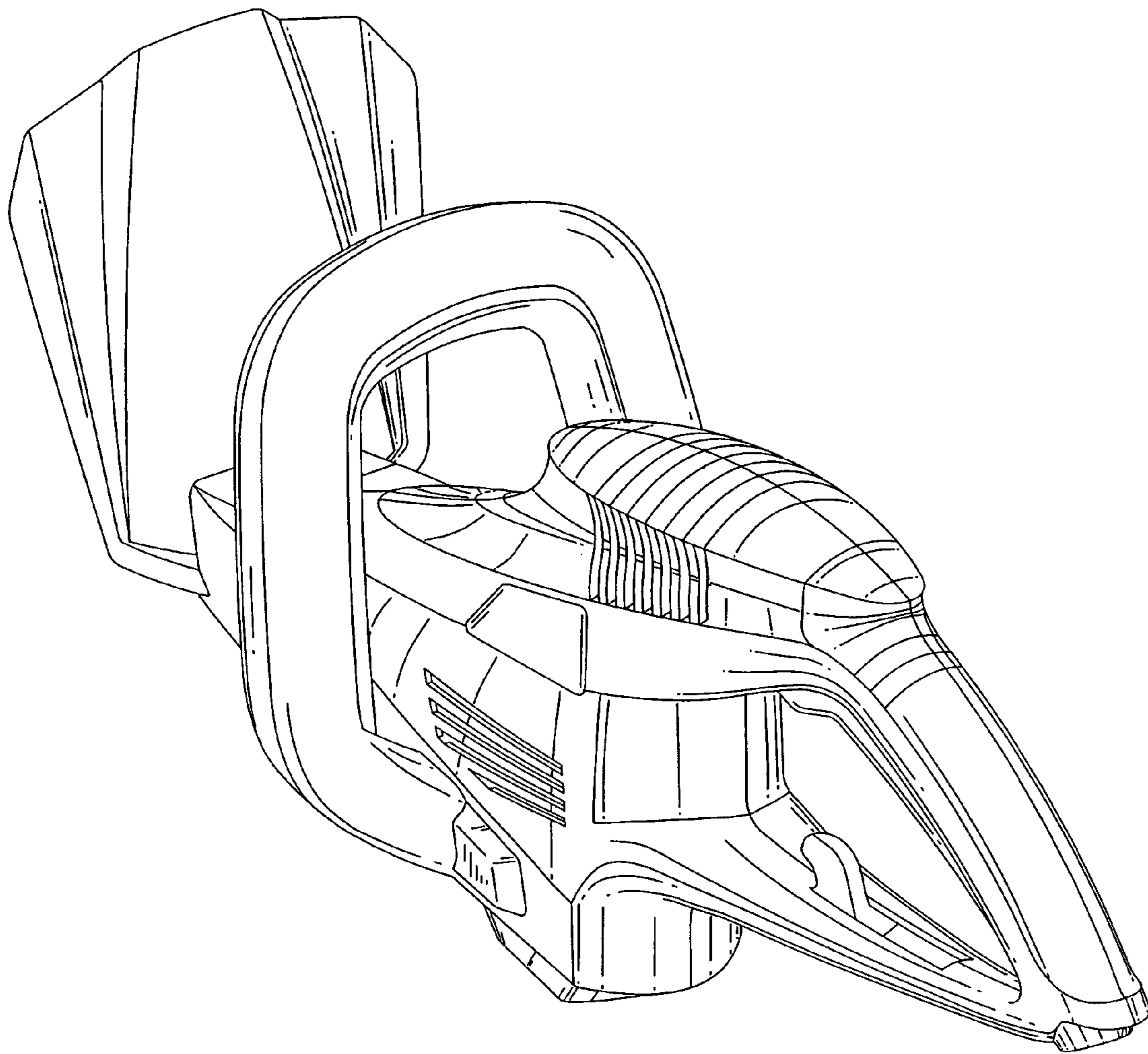


fig7