



US00D555989S

(12) **United States Design Patent**
Sais

(10) **Patent No.:** **US D555,989 S**

(45) **Date of Patent:** **** Nov. 27, 2007**

(54) **ARCHAEOLOGICAL EQUIPMENT SIFTER**

6,053,183 A	4/2000	Rizzo	
6,095,339 A	8/2000	Filip	
6,260,710 B1	7/2001	Deillon et al.	
6,347,707 B1	2/2002	Süssegger et al.	
D512,284 S *	12/2005	Massey D8/1

(76) Inventor: **Dean Sais**, 10418 Skycrest Dr.,
Jacksonville, FL (US) 32246

(**) Term: **14 Years**

* cited by examiner

(21) Appl. No.: **29/260,936**

Primary Examiner—Holly H. Baynham

Assistant Examiner—Sheryl Friedman

(22) Filed: **Jun. 5, 2006**

(74) *Attorney, Agent, or Firm*—Lawrence J. Gibney, Jr.

(51) **LOC (8) Cl.** **08-01**

(57) **CLAIM**

(52) **U.S. Cl.** **D8/1**

(58) **Field of Classification Search** D8/1;
D7/667; 209/13, 419

The ornamental design for archaeological equipment sifter,
as shown and described.

See application file for complete search history.

DESCRIPTION

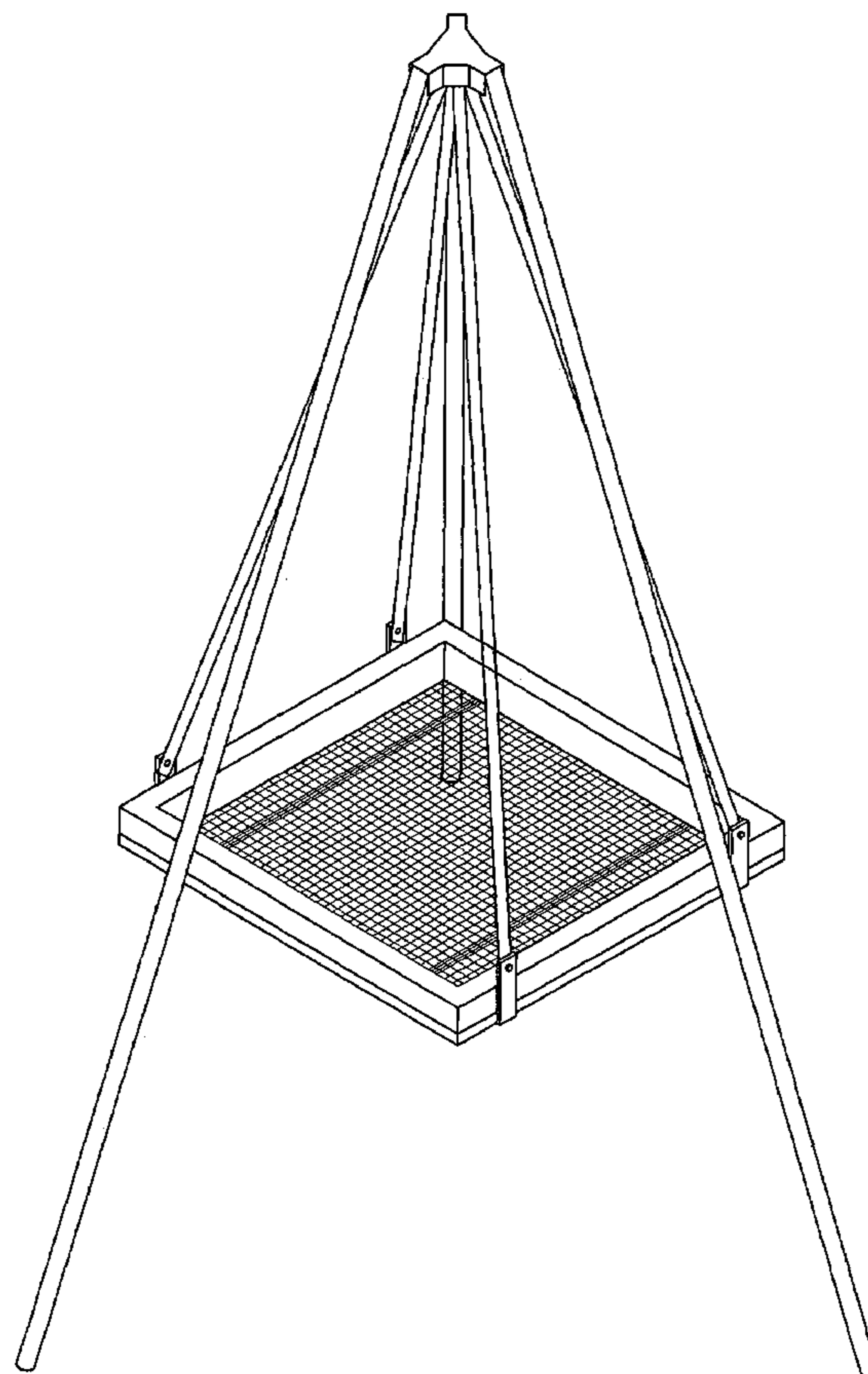
(56) **References Cited**

FIG. 1 is a front elevational view of an archaeological
equipment sifter showing my new design;
FIG. 2 is a left/right side elevational view thereof;
FIG. 3 is a back elevational view thereof;
FIG. 4 is an isometric elevational view thereof; and,
FIG. 5 is a top elevational view.

U.S. PATENT DOCUMENTS

1,646,787 A *	10/1927	Elmenthaler	209/419
4,817,560 A	4/1989	Prince et al.		
D350,675 S *	9/1994	Salisbury	D8/1
D366,401 S *	1/1996	Smith	D8/1
D373,291 S *	9/1996	Auker	D8/1
D376,964 S *	12/1996	Lewy	D8/1
5,848,697 A	12/1998	Eash		

1 Claim, 5 Drawing Sheets



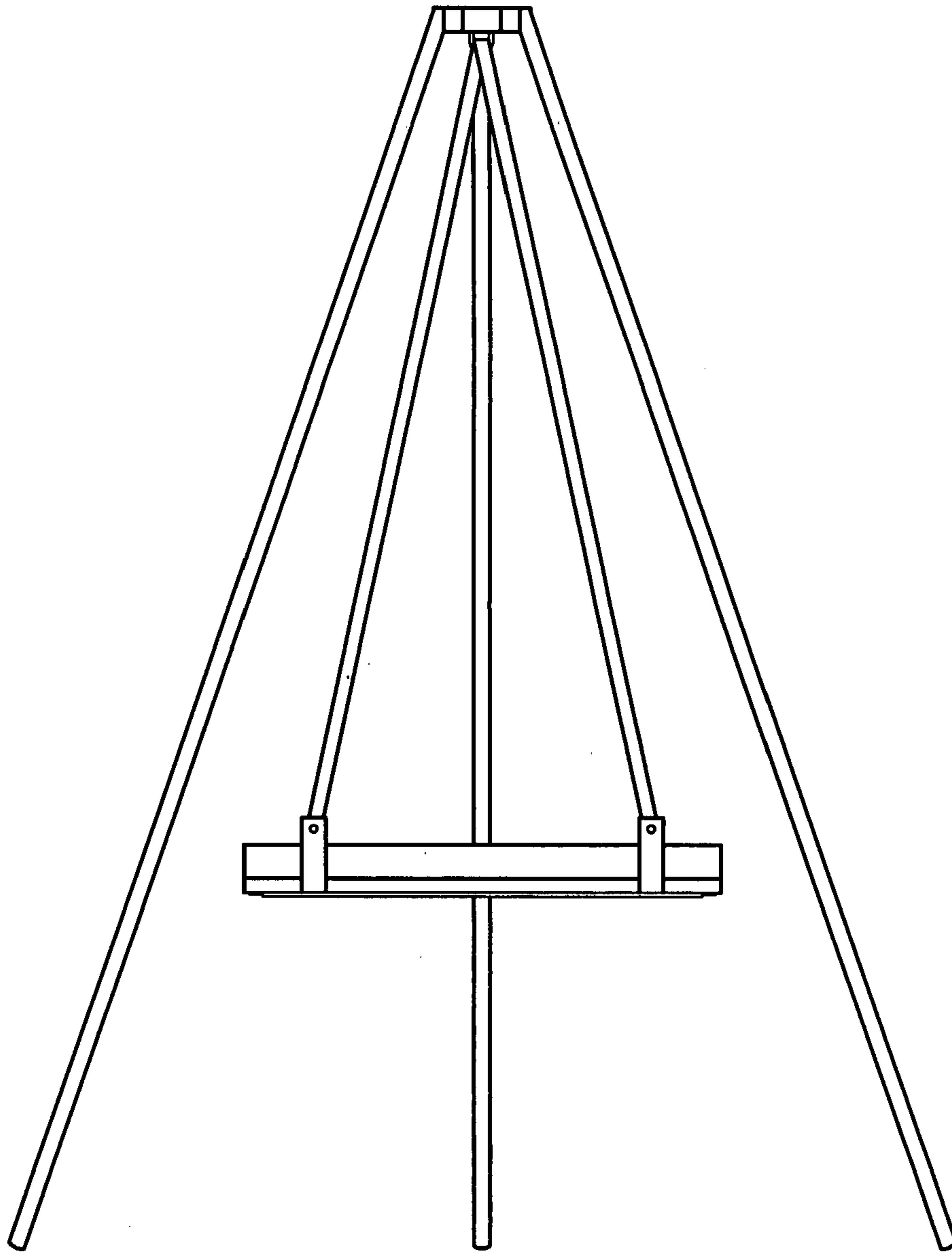


FIG. 1

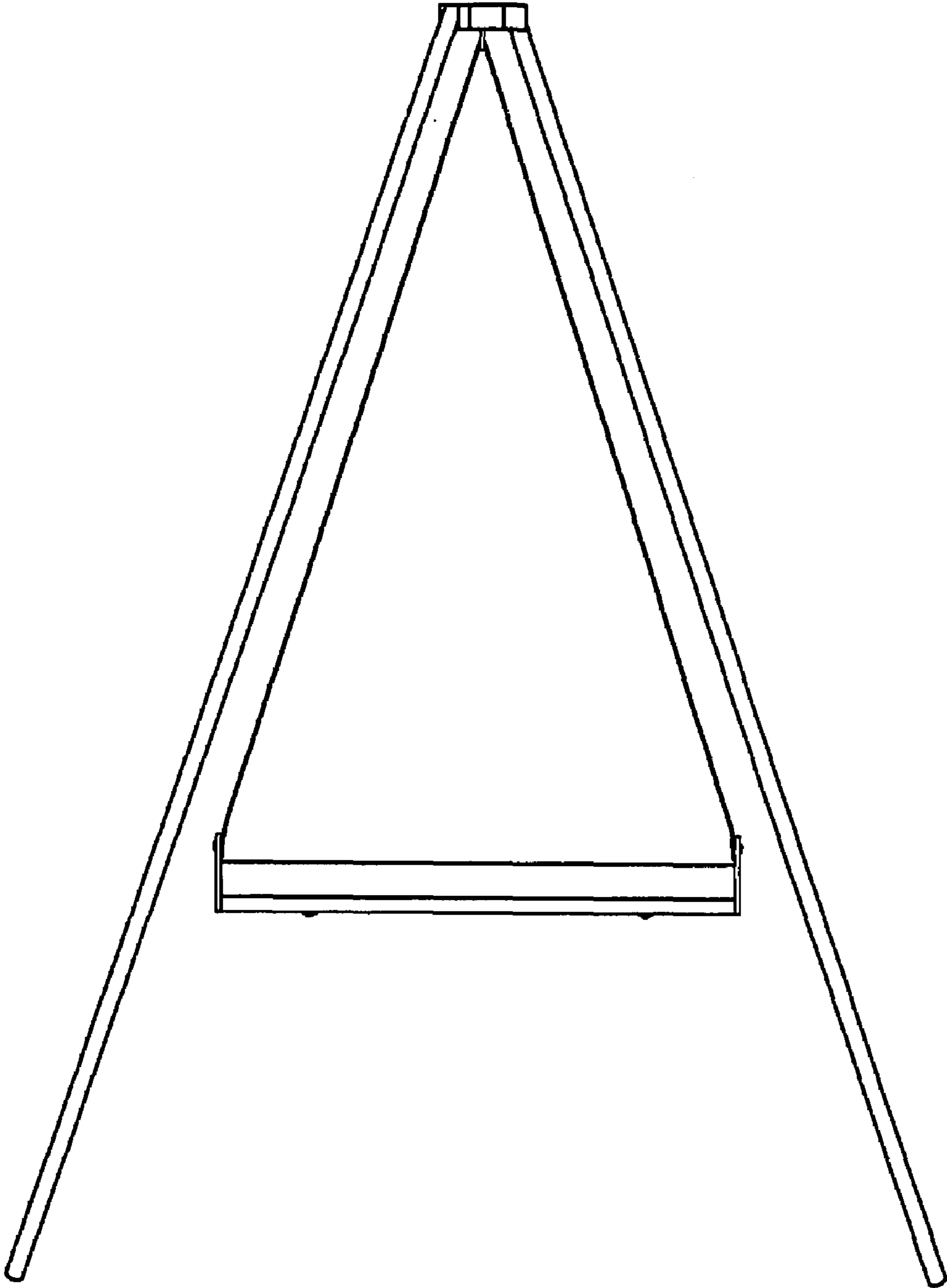


FIG. 2

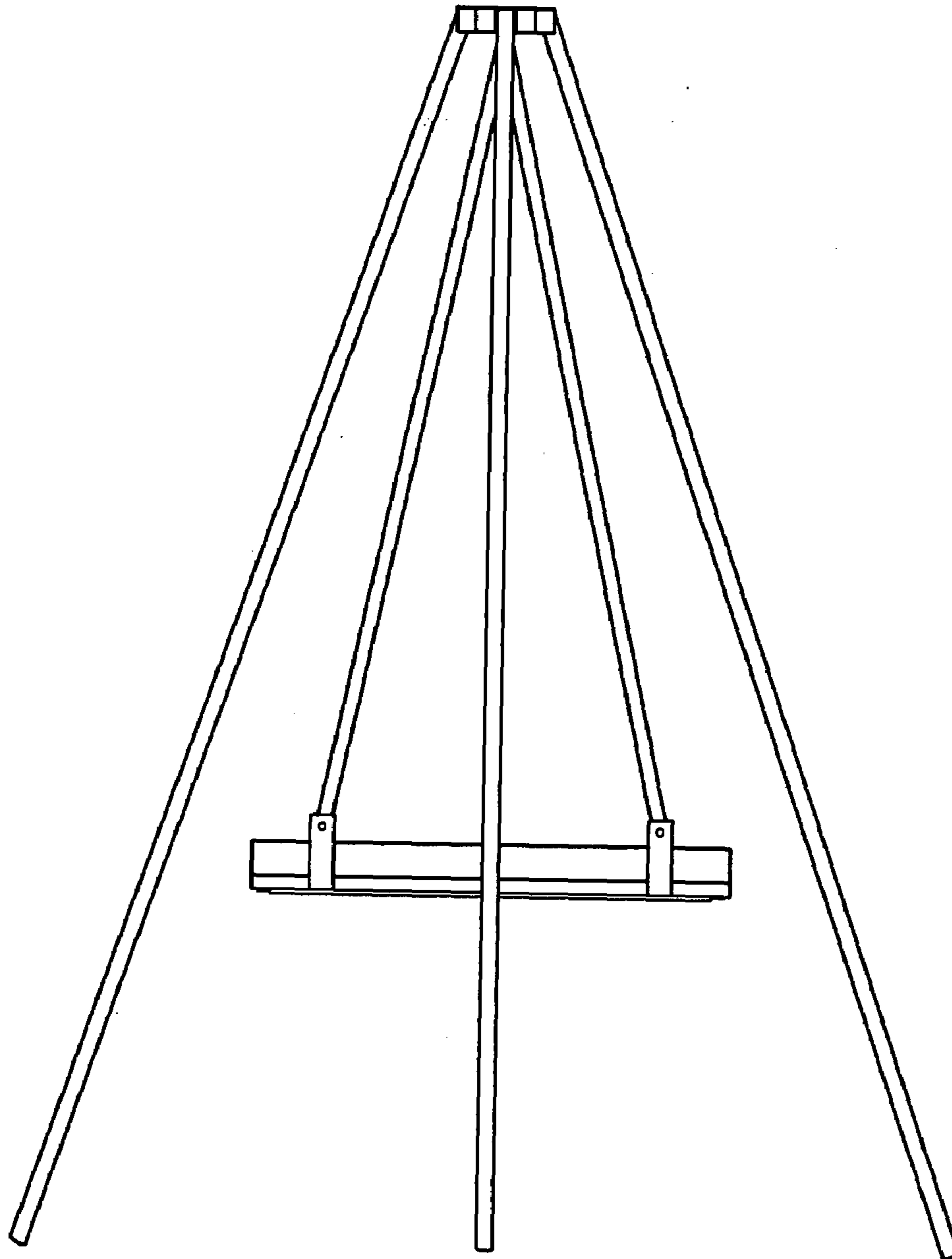


FIG. 3

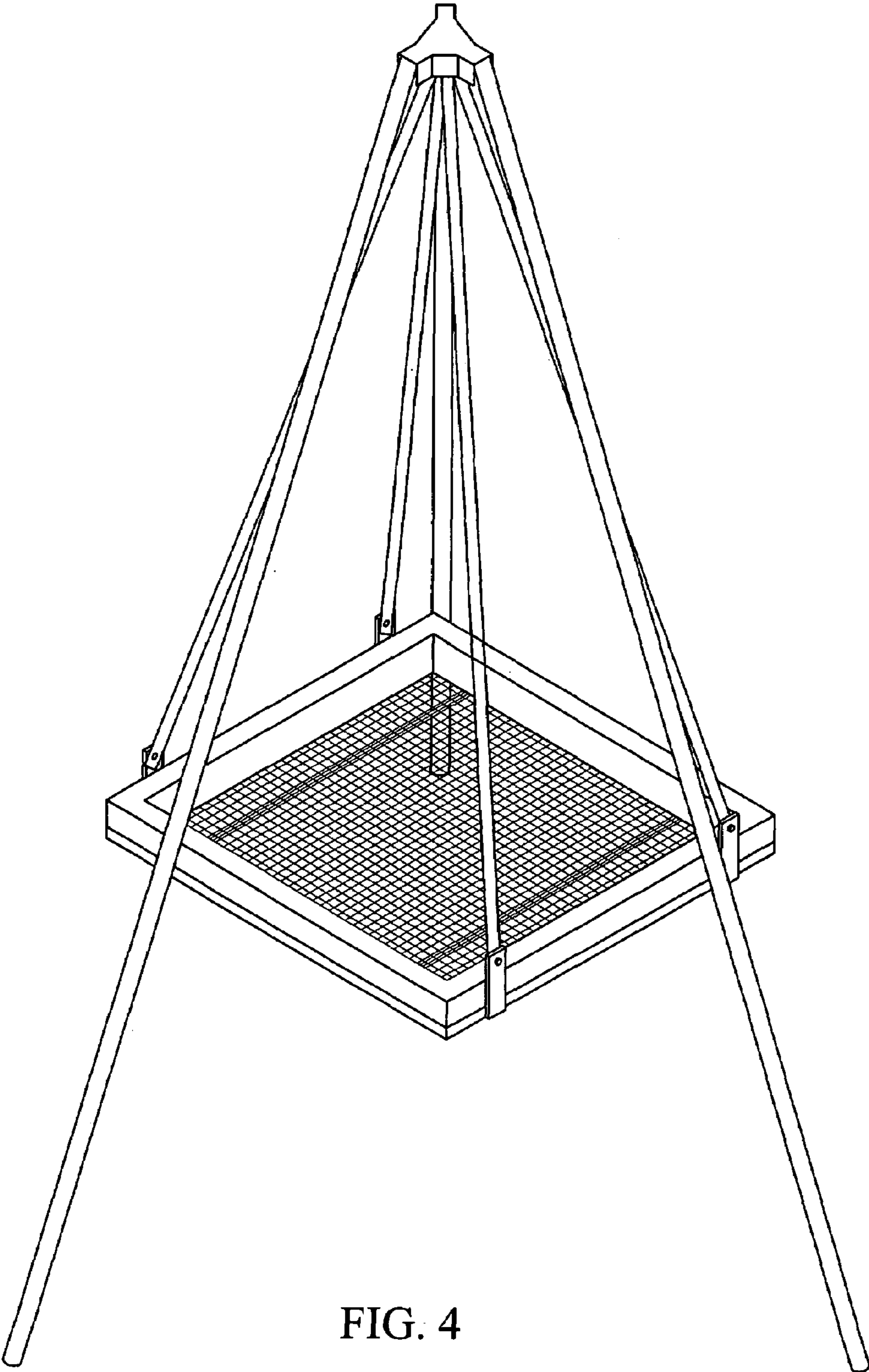


FIG. 4

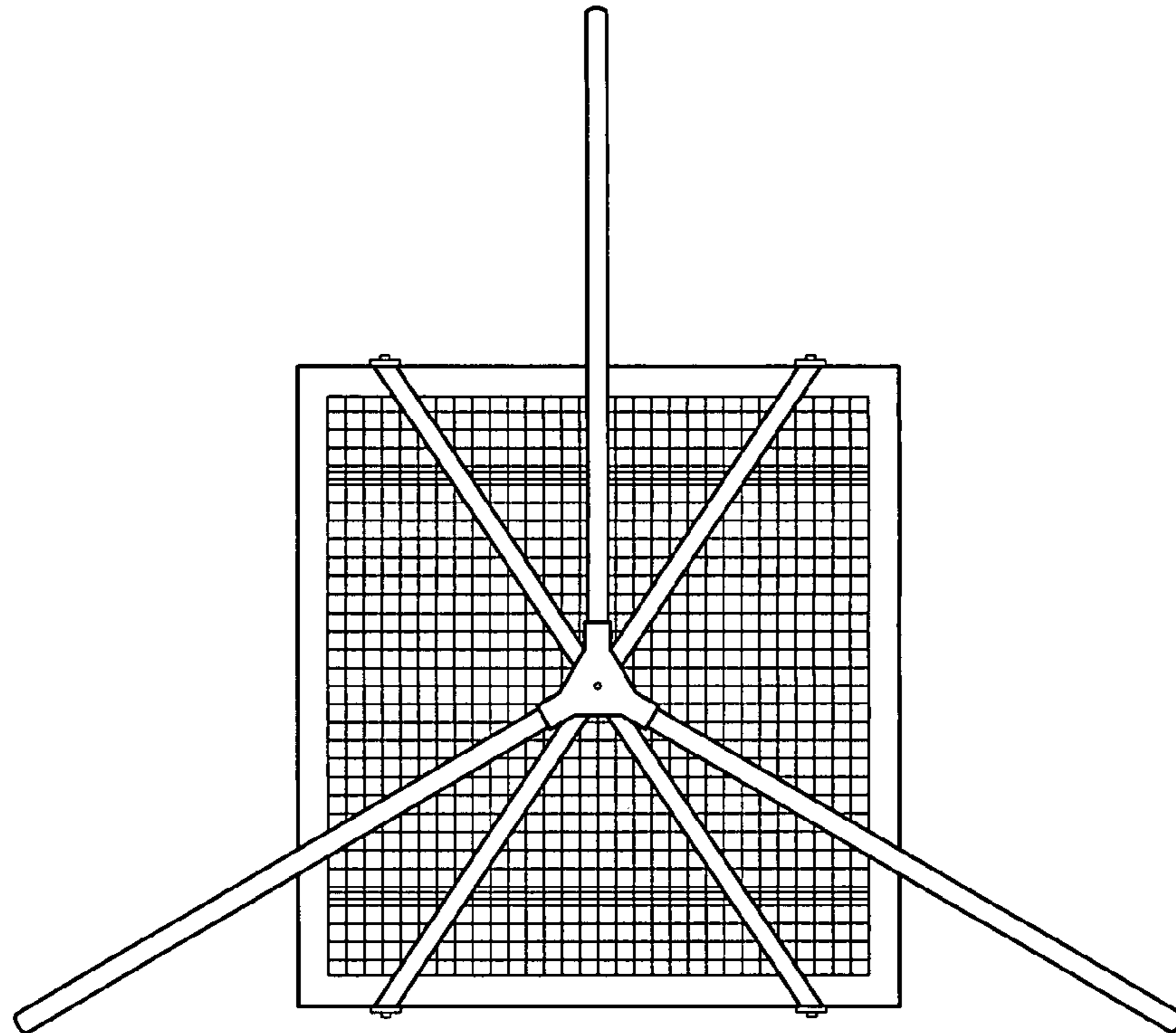


FIG. 5