



US00D555987S

(12) **United States Design Patent**  
**Williams**

(10) **Patent No.:** **US D555,987 S**

(45) **Date of Patent:** **\*\* Nov. 27, 2007**

(54) **CUTTING BOARD**

(76) **Inventor:** **Stanley D. Williams**, 41 Phillips Rd.,  
Jacksonville, AR (US) 72076

(\*\*) **Term:** **14 Years**

(21) **Appl. No.:** **29/264,737**

(22) **Filed:** **Aug. 17, 2006**

(51) **LOC (8) Cl.** ..... **07-04**

(52) **U.S. Cl.** ..... **D7/698**

(58) **Field of Classification Search** ..... D7/360,  
D7/388, 538, 554.2, 586, 637, 638, 696, 698,  
D7/699; D6/135; D32/56-58; 99/446,  
99/449; 269/13-15, 289 R, 291, 297, 298,  
269/302.1, 289 MR, 315; 294/172; 451/461  
See application file for complete search history.

(56) **References Cited**

**U.S. PATENT DOCUMENTS**

|              |         |                   |              |
|--------------|---------|-------------------|--------------|
| 571,349 A    | 11/1896 | Farquhar          |              |
| D213,989 S   | 4/1969  | Boone             |              |
| D225,764 S   | 1/1973  | Duecker           |              |
| 3,736,088 A  | 5/1973  | Jimenez           |              |
| D238,135 S   | 12/1975 | Longobardi, Jr.   |              |
| D267,463 S   | 1/1983  | Thompson          |              |
| D281,566 S   | 12/1985 | Gangelhoff et al. |              |
| 4,840,361 A  | 6/1989  | Richter           |              |
| 4,907,789 A  | 3/1990  | Tice              |              |
| D321,991 S * | 12/1991 | Menges et al.     | ..... D6/335 |

|               |         |               |                 |
|---------------|---------|---------------|-----------------|
| 5,121,909 A   | 6/1992  | Stickel, III  |                 |
| 5,233,793 A * | 8/1993  | Dandurand     | ..... 451/461   |
| 5,386,978 A * | 2/1995  | Ladwig        | ..... 269/289 R |
| D372,176 S *  | 7/1996  | Meisner       | ..... D7/698    |
| D381,564 S *  | 7/1997  | Kolada        | ..... D7/698    |
| D390,072 S *  | 2/1998  | Miller        | ..... D7/698    |
| D416,768 S *  | 11/1999 | Lisser et al. | ..... D7/698    |
| D424,891 S *  | 5/2000  | Kaposi        | ..... D7/698    |
| D464,237 S *  | 10/2002 | Kaposi        | ..... D7/698    |
| D500,940 S *  | 1/2005  | Goggin        | ..... D7/698    |

\* cited by examiner

*Primary Examiner*—Caron D. Veynar

*Assistant Examiner*—Ricky Pham

(74) *Attorney, Agent, or Firm*—Stephen R. Greiner

(57) **CLAIM**

The ornamental design for a cutting board, as shown and described.

**DESCRIPTION**

FIG. 1 is a top perspective view of a cutting board showing my new design;

FIG. 2 is a bottom perspective view thereof;

FIG. 3 is a right side elevational view thereof with the left side being a mirror image of the right side; and,

FIG. 4 is a front elevational view thereof with the rear elevation being a mirror image of the front elevation.

**1 Claim, 1 Drawing Sheet**

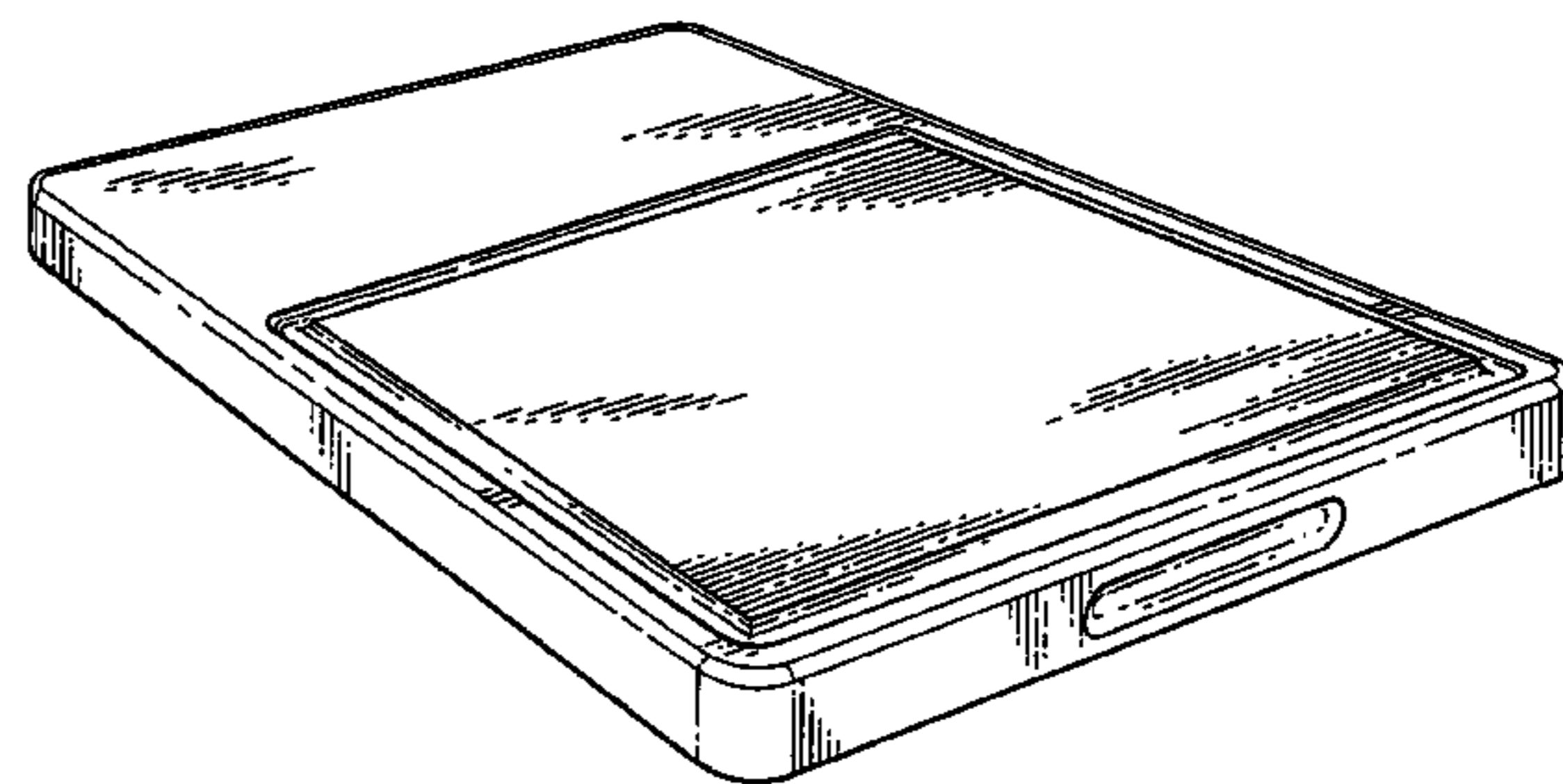
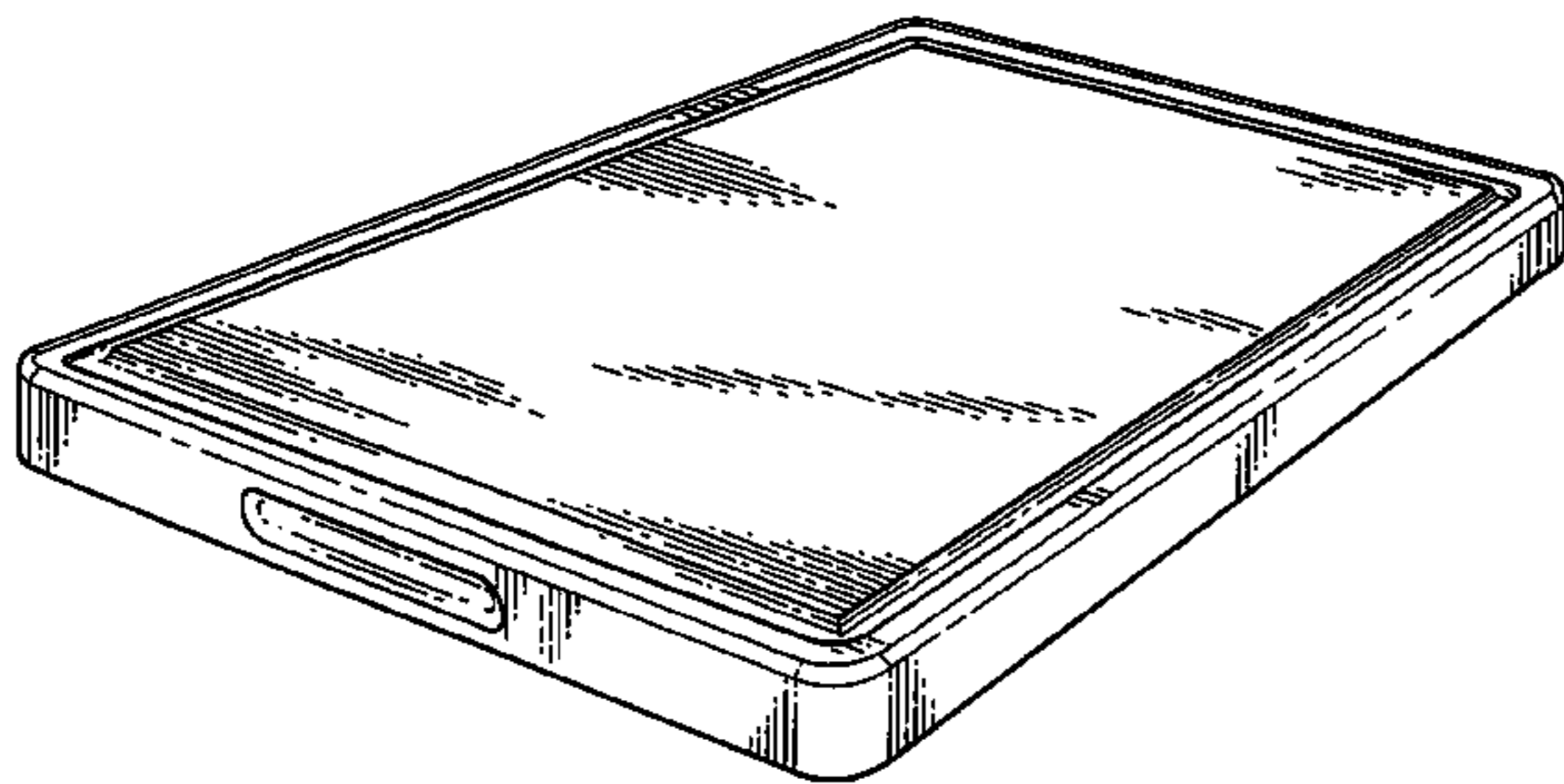


FIG. 1

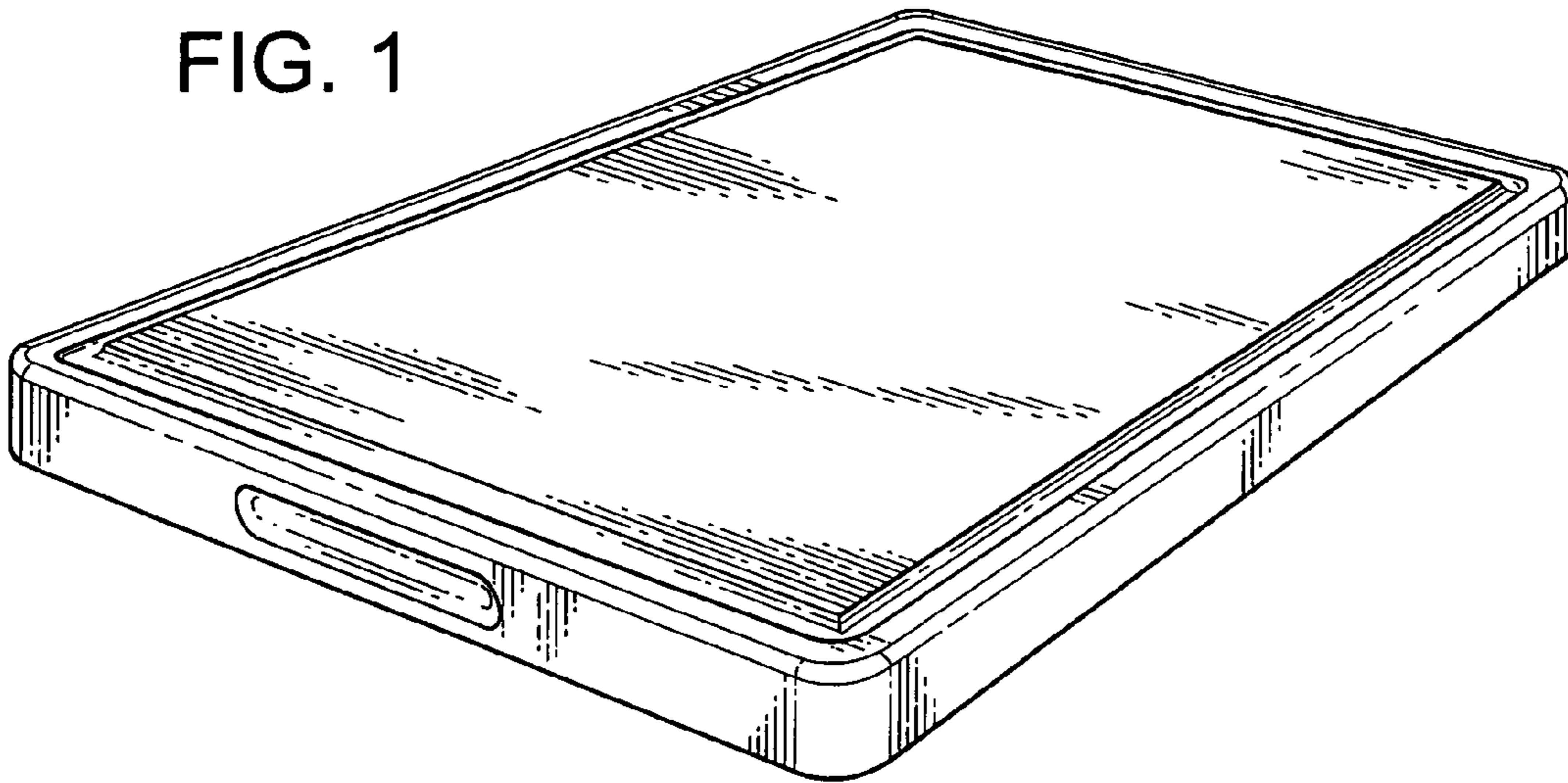


FIG. 2

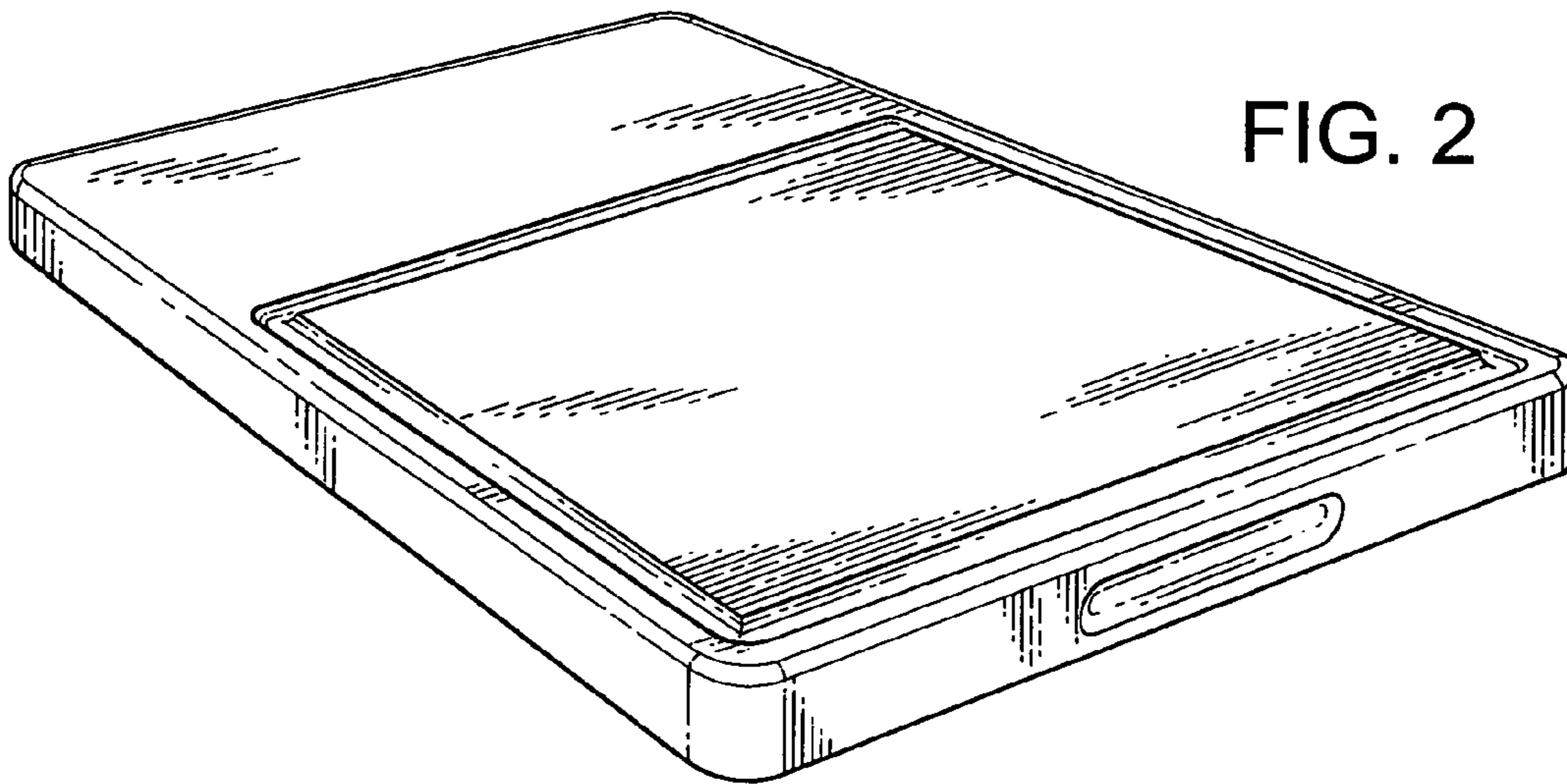


FIG. 3

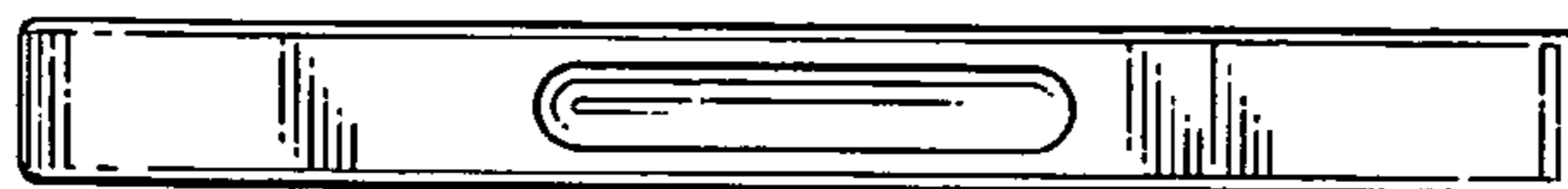


FIG. 4

