



US00D555986S

(12) **United States Design Patent**
Goldman

(10) **Patent No.:** **US D555,986 S**

(45) **Date of Patent:** **** Nov. 27, 2007**

(54) **CUTTING BOARD**

(76) **Inventor:** **Robert I. Goldman**, 9550 Pathway St.,
Santee, CA (US) 92071

(**) **Term:** **14 Years**

(21) **Appl. No.:** **29/252,267**

(22) **Filed:** **Jan. 20, 2006**

(51) **LOC (8) Cl.** **07-04**

(52) **U.S. Cl.** **D7/698**

(58) **Field of Classification Search** D7/354,
D7/388, 538, 551.1, 554.2, 586, 637, 638,
D7/696, 698, 699; D8/71; D32/56-58; 99/446,
99/449; 269/13-15, 289 R, 291, 297, 298,
269/302.1, 289 MR, 315; 294/172; 209/703
See application file for complete search history.

(56) **References Cited**

U.S. PATENT DOCUMENTS

2,778,324 A	1/1957	Mattson	
2,935,107 A	5/1960	Bertelsen	
3,371,694 A	3/1968	Miller	
3,747,756 A *	7/1973	Wheeler	209/703
4,273,318 A	6/1981	Crowhurst	
D262,507 S *	1/1982	Wooldridge	D7/698
D265,537 S *	7/1982	Stockdale	D7/698
4,447,051 A	5/1984	Price	
D281,384 S	11/1985	Lacey	
D283,390 S	4/1986	McGinnis	
D289,253 S *	4/1987	Super	D8/71
5,203,548 A	4/1993	Sanders	
D338,595 S *	8/1993	Cafarella et al.	D7/551.1
5,386,978 A	2/1995	Ladwig	
D363,195 S	10/1995	Bransby	
5,472,790 A	12/1995	Thompson	

D383,363 S	9/1997	Norton	
RE36,717 E	5/2000	Thompson	
6,164,478 A	12/2000	Cant	
D463,224 S	9/2002	Cautereels et al.	
D467,775 S *	12/2002	Cole	D7/698
D467,776 S	12/2002	Cole	
D490,645 S *	6/2004	Firlotte	D7/354
6,742,429 B2	6/2004	Chen	
D495,931 S	9/2004	Cole	
6,789,792 B1	9/2004	Angland	
2007/0170629 A1 *	7/2007	Goldman	269/289 R

* cited by examiner

Primary Examiner—Caron D. Veynar

Assistant Examiner—Ricky Pham

(74) *Attorney, Agent, or Firm*—Charmasson, Buchaca & Leach, LLP

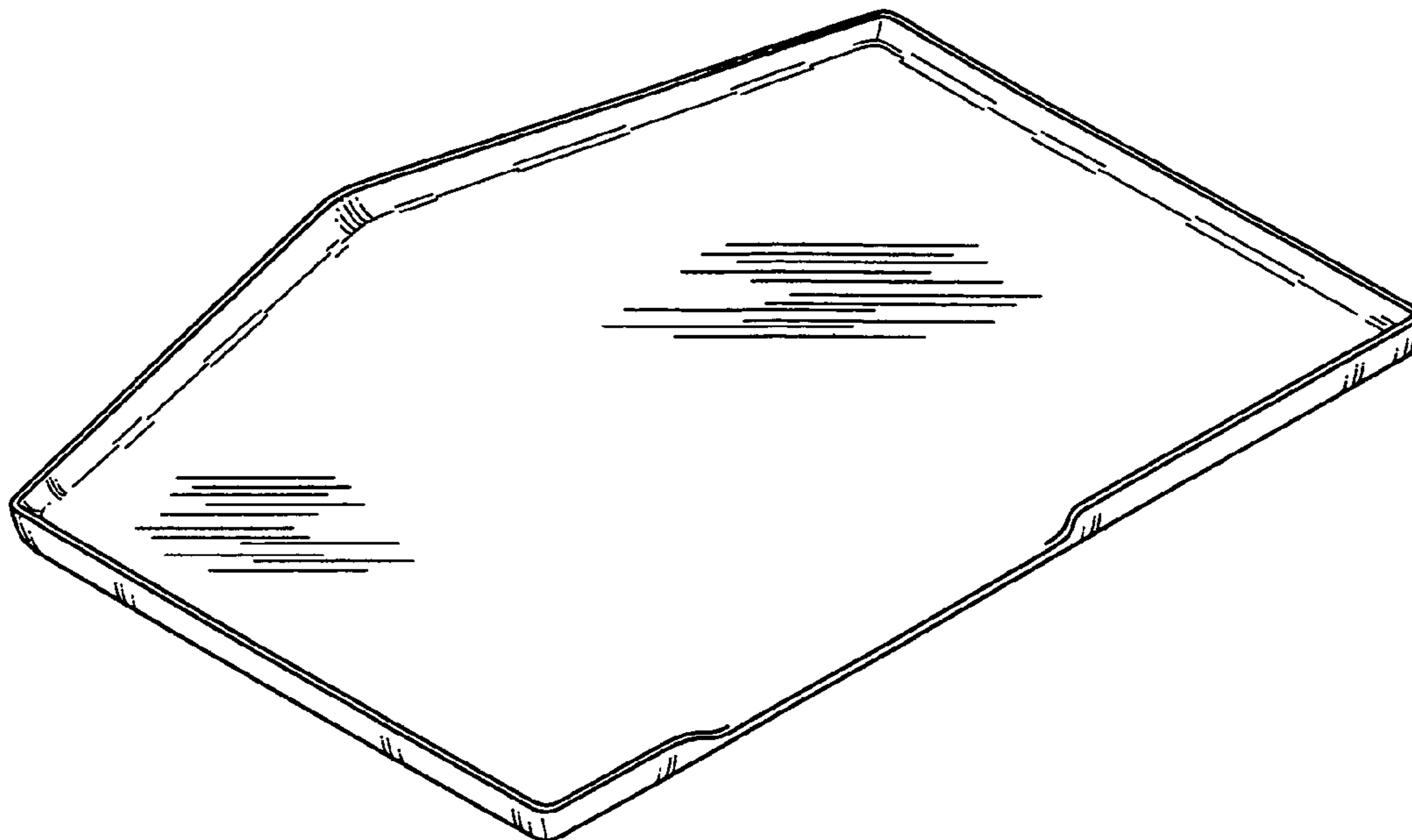
(57) **CLAIM**

The ornamental design for a cutting board, as shown and described.

DESCRIPTION

FIG. 1 is a top, back, left side perspective view of a cutting board showing my new design;
FIG. 2 is a bottom, front, right side perspective view thereof;
FIG. 3 is a top plan view thereof;
FIG. 4 is a bottom plan view thereof;
FIG. 5 is a left side elevational view thereof, the right side being a mirror image thereof;
FIG. 6 is a front side elevational view thereof; and,
FIG. 7 is a back side elevational view thereof.

1 Claim, 2 Drawing Sheets



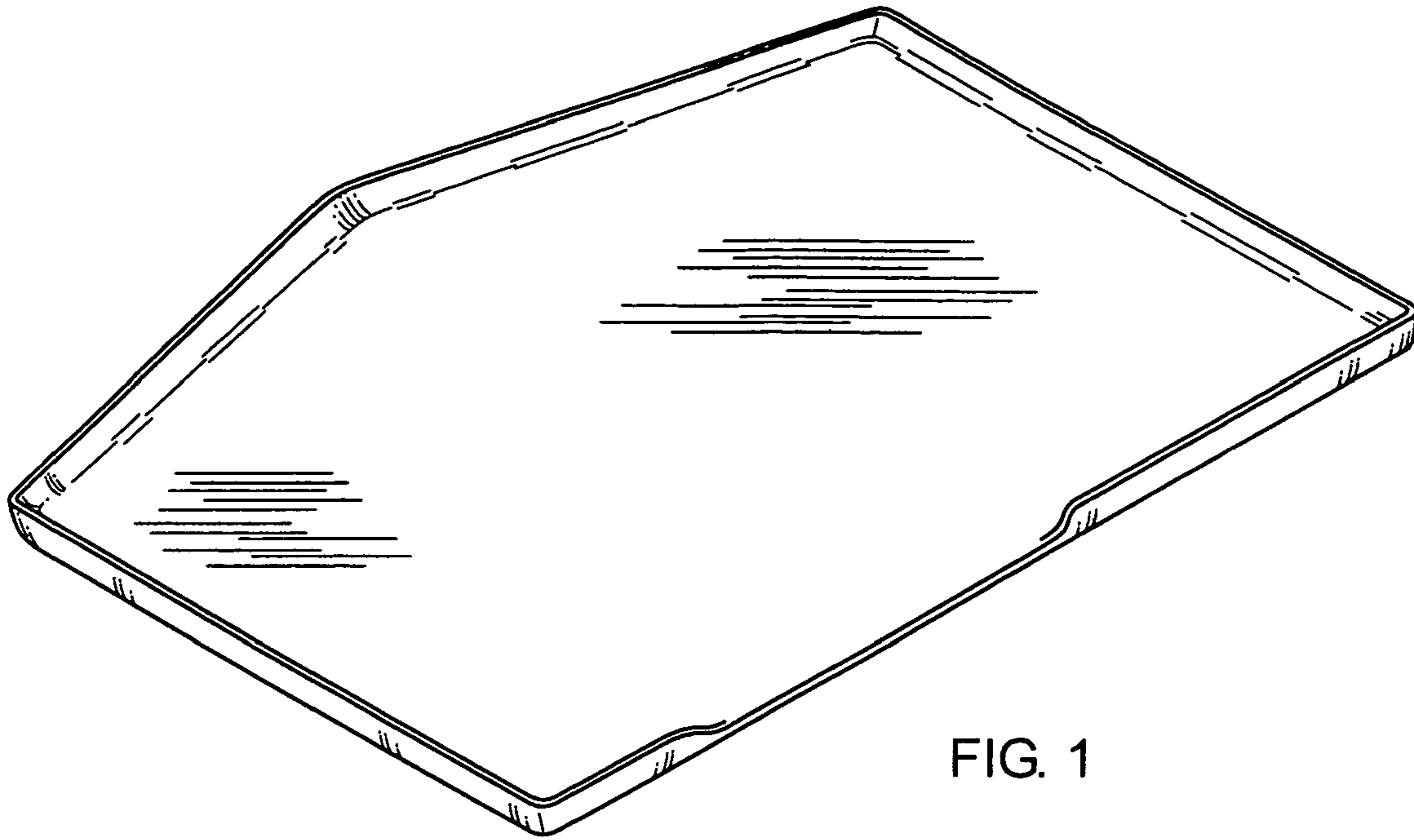


FIG. 1

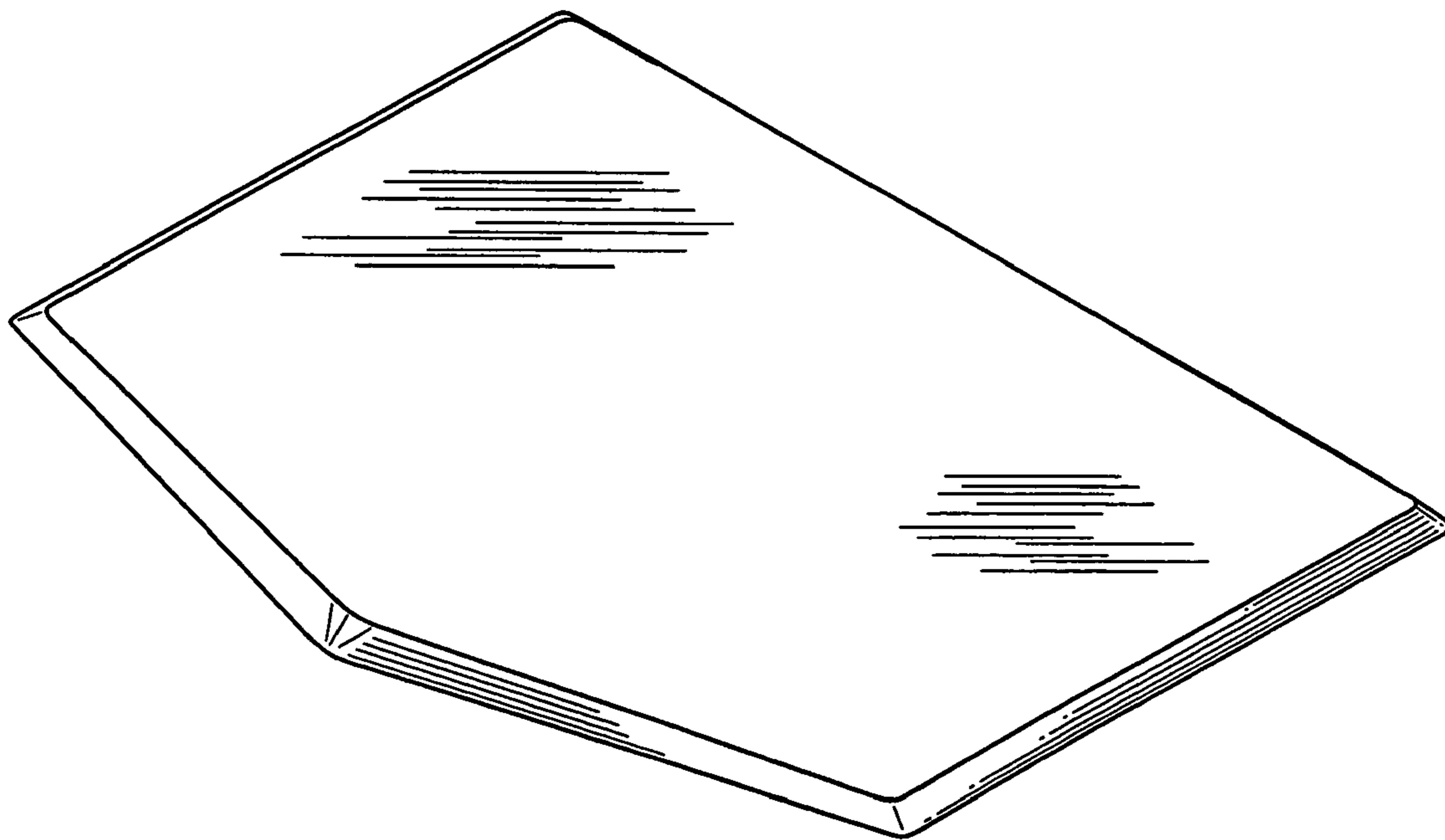


FIG. 2

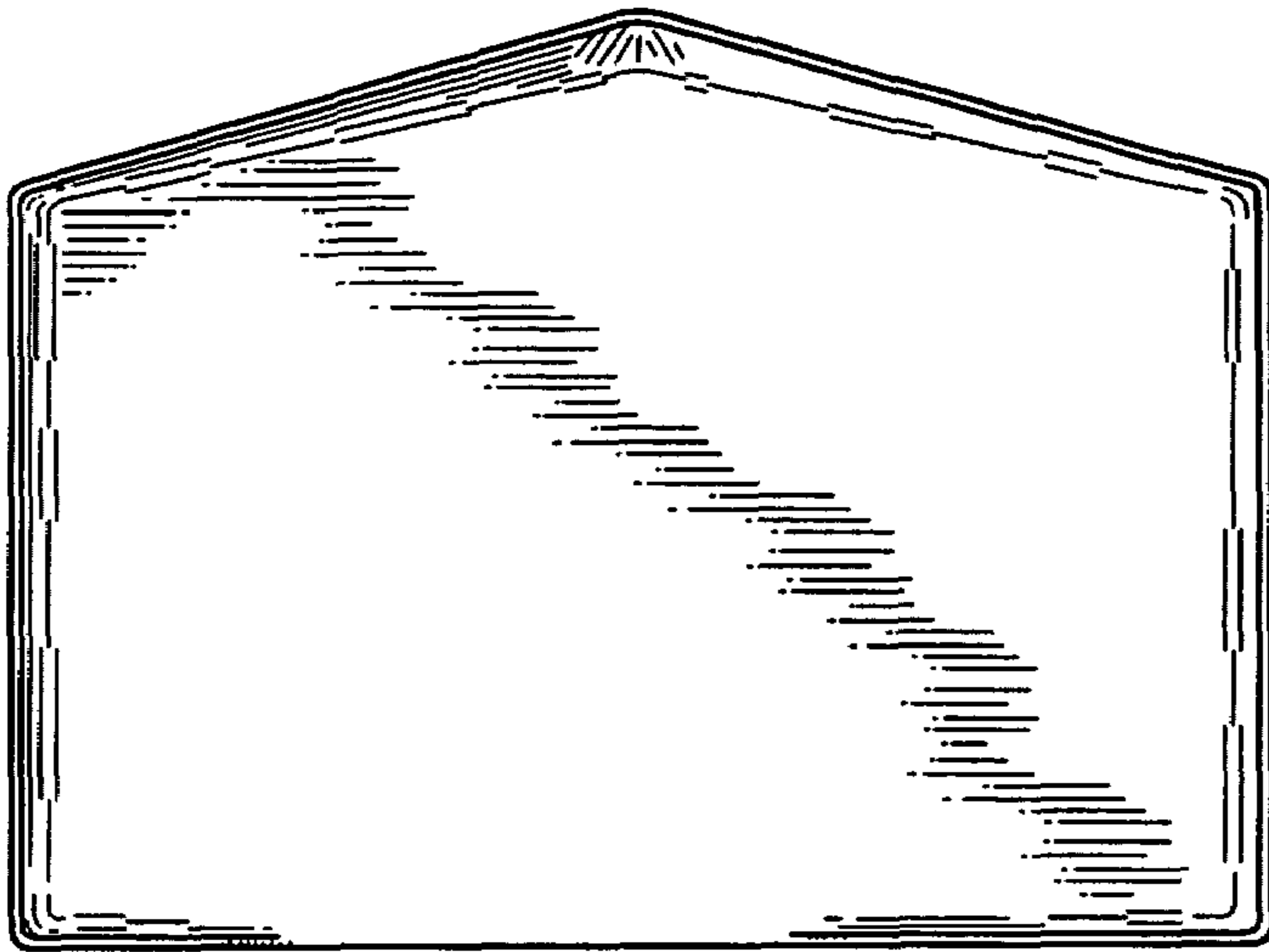


FIG. 3

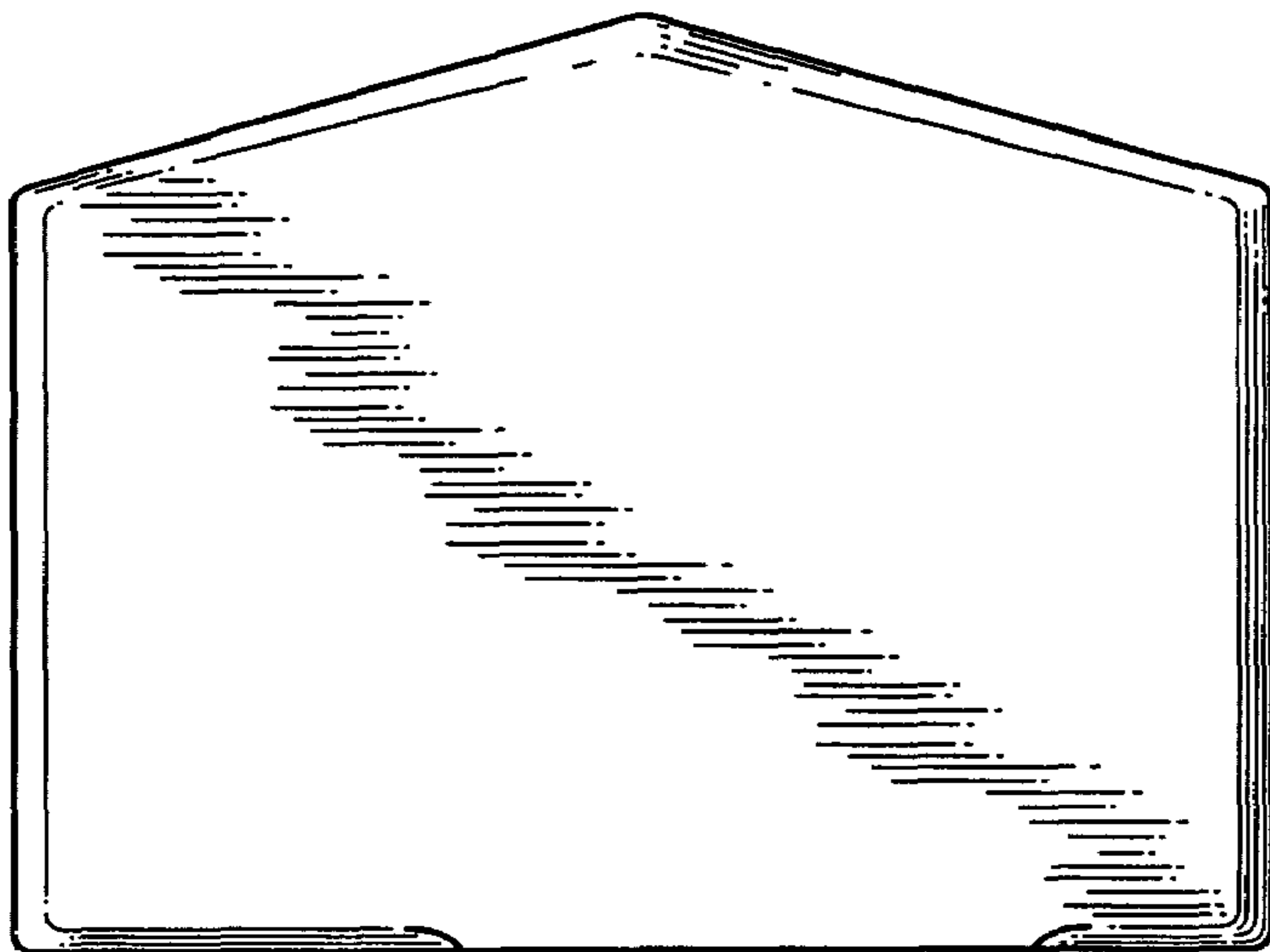


FIG. 4



FIG. 5



FIG. 6



FIG. 7