



US00D555985S

(12) **United States Design Patent**
Schreiber-Pethan et al.

(10) **Patent No.:** **US D555,985 S**

(45) **Date of Patent:** **** Nov. 27, 2007**

(54) **UTENSIL**

D503,317 S * 3/2005 Anderson D7/691
D520,295 S 5/2006 Schreiber-Pethan et al.

(75) Inventors: **Rebecca Schreiber-Pethan**, Sheboygan,
WI (US); **David M. Wasserman**,
Whitefish Bay, WI (US)

OTHER PUBLICATIONS

Vollrath, Smallwares & Light Equipment 2006-2007, front cover, X,
3-2 through 3-19, back cover.

(73) Assignee: **The Vollrath Company, L.L.C.**,
Sheboygan, WI (US)

* cited by examiner

(**) Term: **14 Years**

Primary Examiner—Terry A Wallace

(74) *Attorney, Agent, or Firm*—Foley & Lardner LLP

(21) Appl. No.: **29/266,010**

(57) **CLAIM**

(22) Filed: **Sep. 13, 2006**

We claim the ornamental design for a utensil, as shown and
described.

(51) **LOC (8) Cl.** **07-02**

(52) **U.S. Cl.** **D7/691; D7/681**

(58) **Field of Classification Search** D7/681,
D7/691, 692; 294/1.1, 55; D10/46.2, 46.3;
425/276–286

DESCRIPTION

See application file for complete search history.

FIG. 1 is a perspective view of the claimed design;

FIG. 2 is a top view of the claimed design;

FIG. 3 is a left side view of the claimed design;

FIG. 4 is a right side view of the claimed design;

FIG. 5 is a bottom view of the claimed design;

FIG. 6 is a front view of the claimed design; and,

FIG. 7 is a cross-section view thereof taken along line 7—7
of FIG. 2.

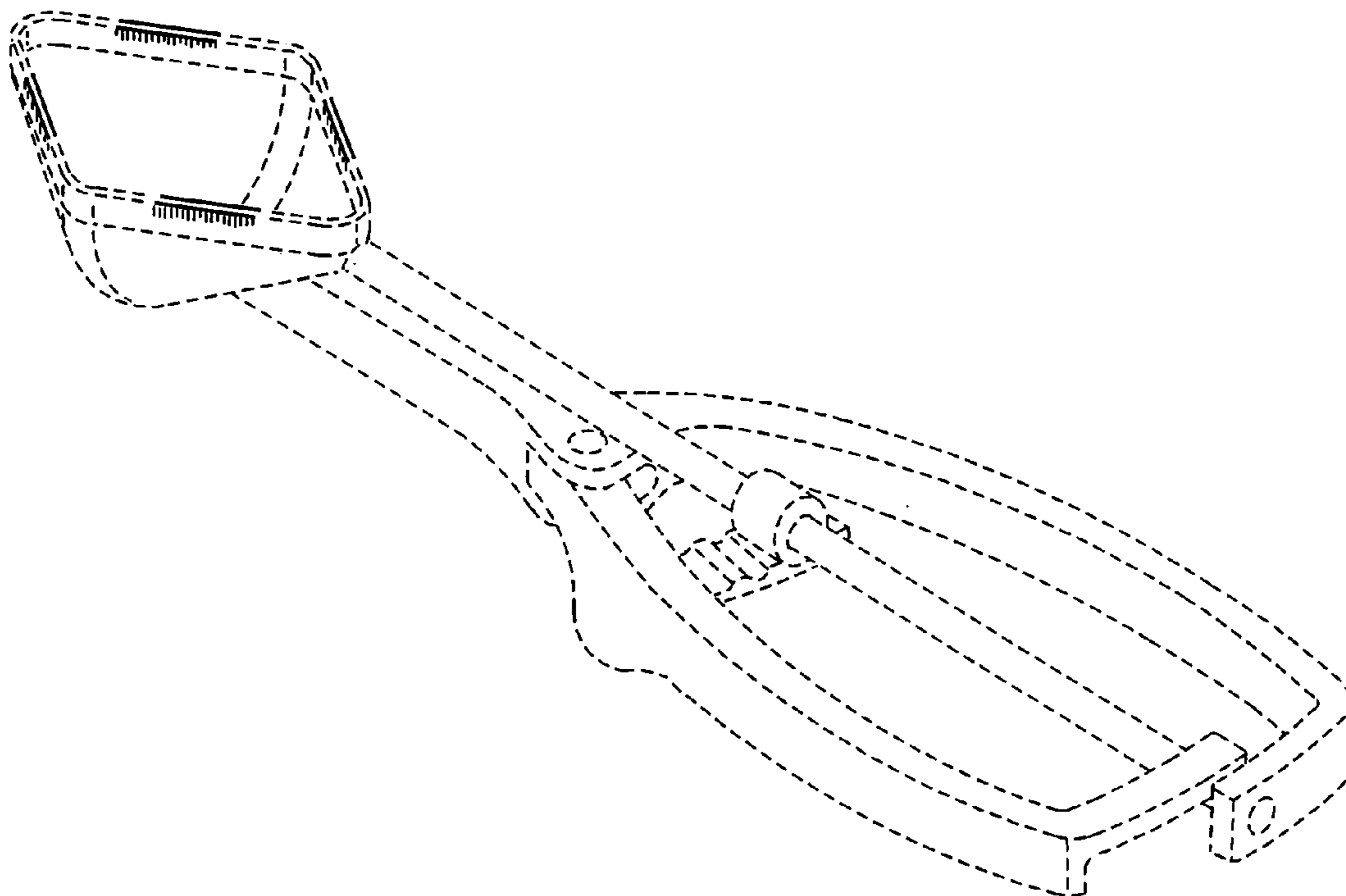
The ornamental design which is claimed is shown in solid
lines in the drawings. The broken lines in the drawings are
for illustrative purposes only and form no part of the claimed
design.

(56) **References Cited**

U.S. PATENT DOCUMENTS

D167,580 S * 8/1952 McFarland D10/46.2
3,428,353 A * 2/1969 St. Jean 294/1.1
D326,033 S 5/1992 Friederichs
5,326,248 A 7/1994 Thuecks et al.
D425,381 S * 5/2000 Denham et al. D7/691
6,162,039 A * 12/2000 Schwarz et al. 425/282
D486,041 S 2/2004 Siehr et al.
D486,354 S 2/2004 Bratton et al.
D486,359 S 2/2004 Siehr et al.
D487,678 S * 3/2004 Overthun et al. D7/691

1 Claim, 3 Drawing Sheets



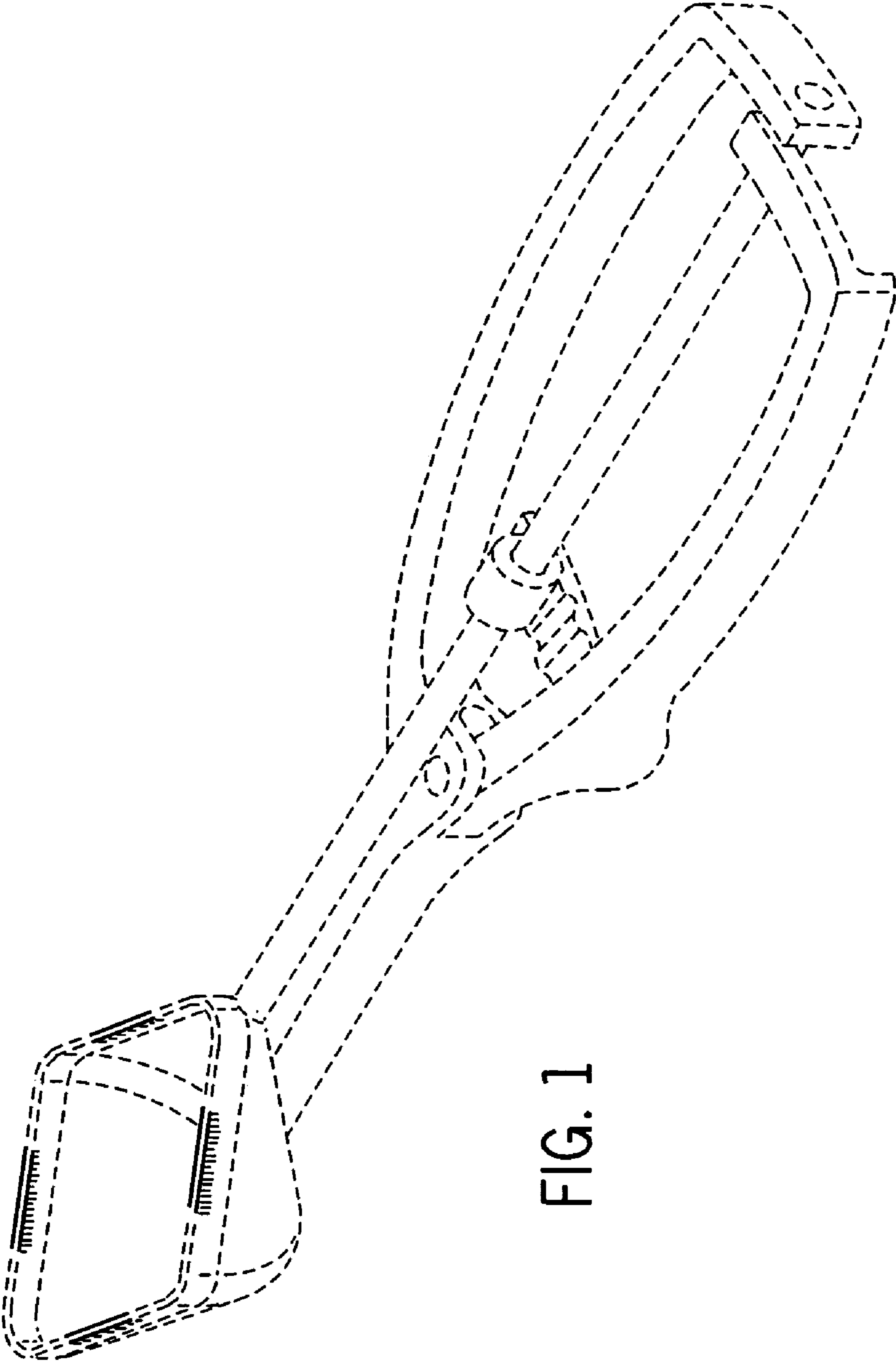


FIG. 1

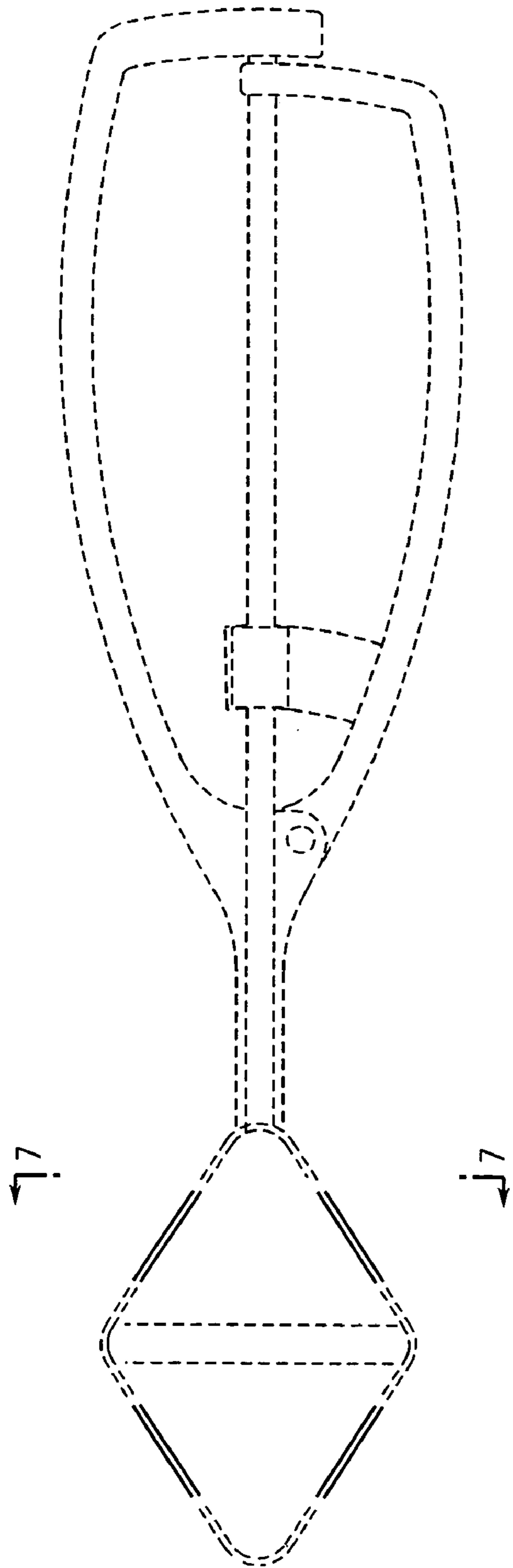


FIG. 2

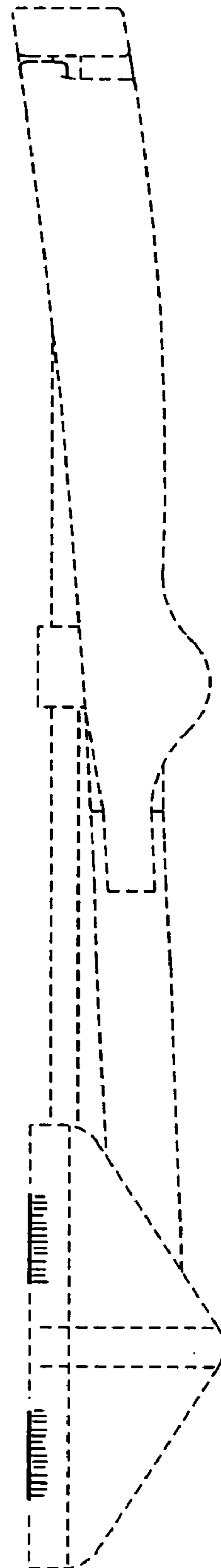


FIG. 3

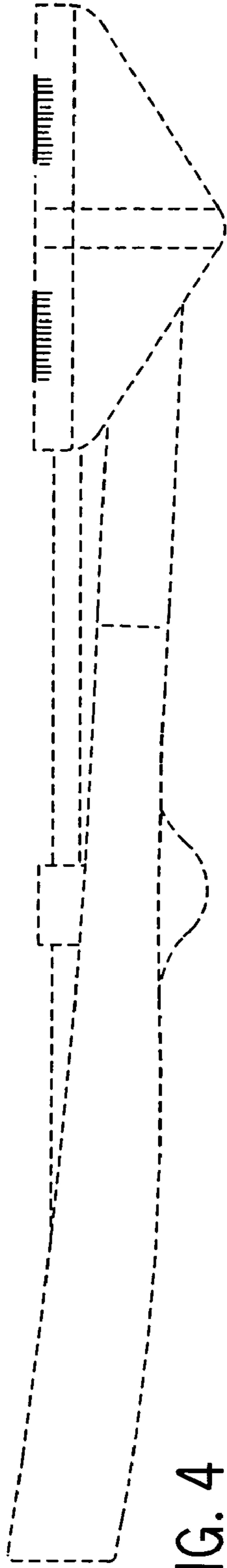


FIG. 4

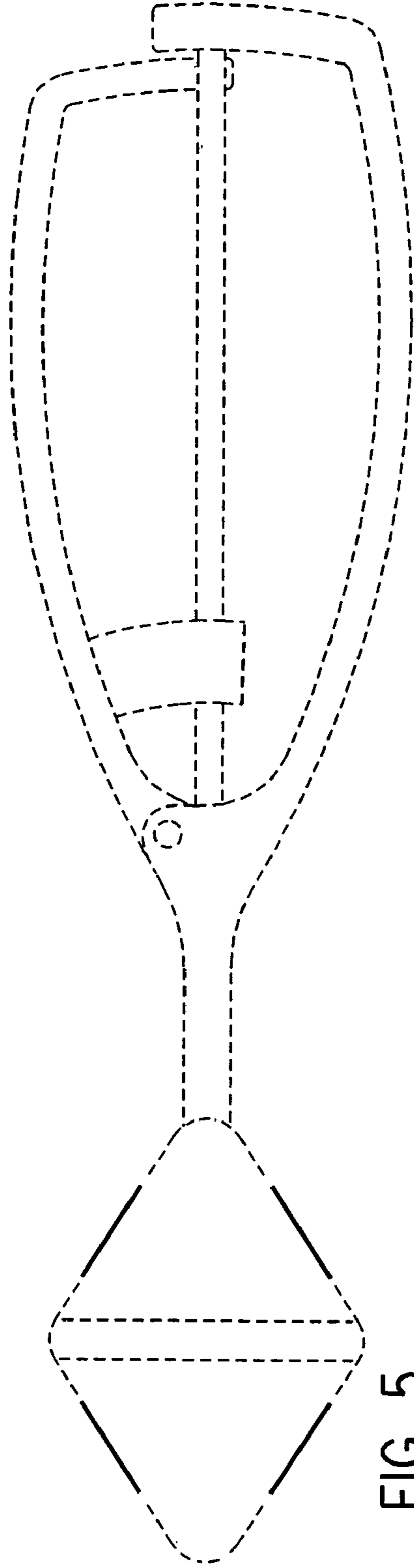


FIG. 5

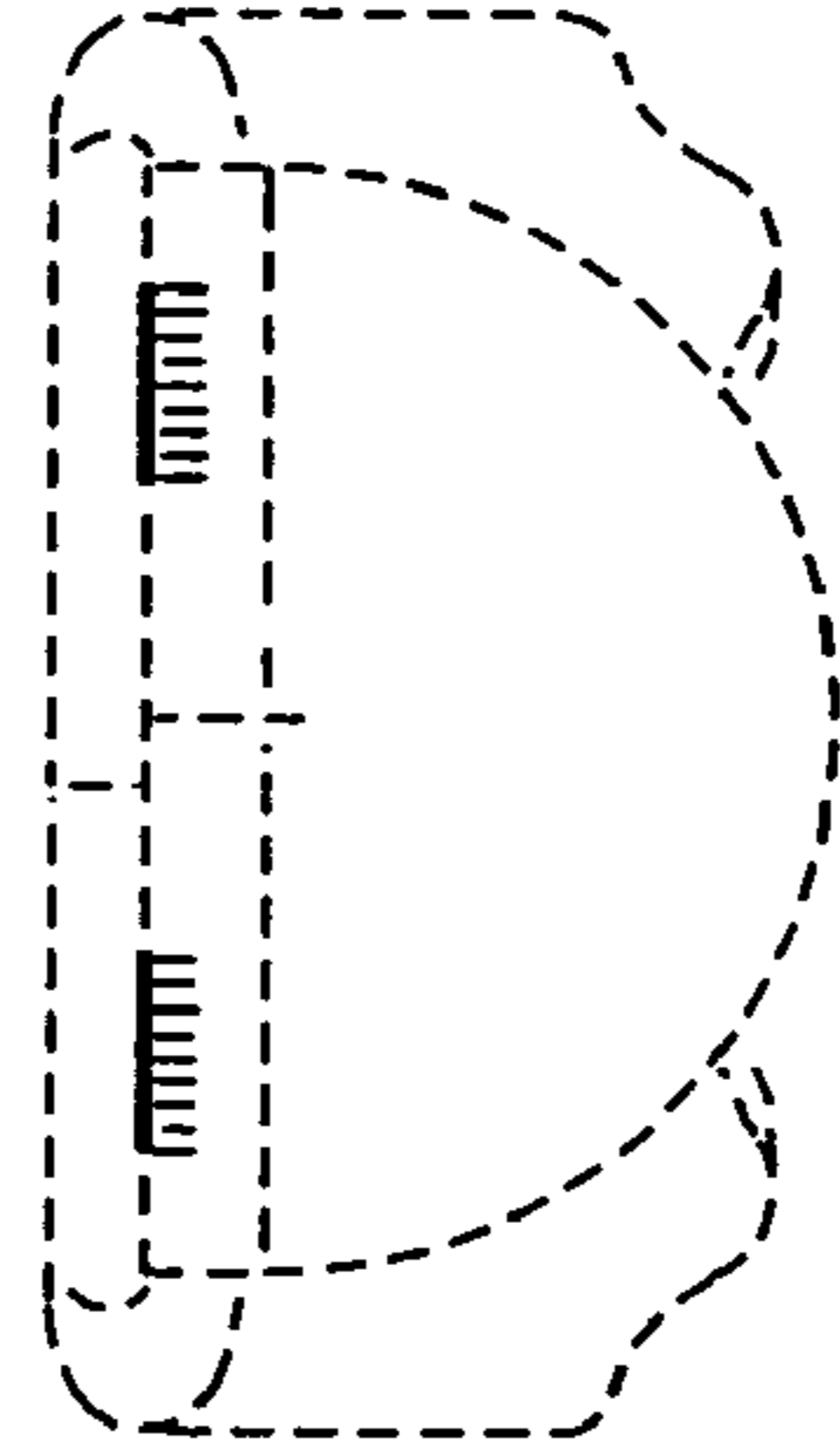


FIG. 6

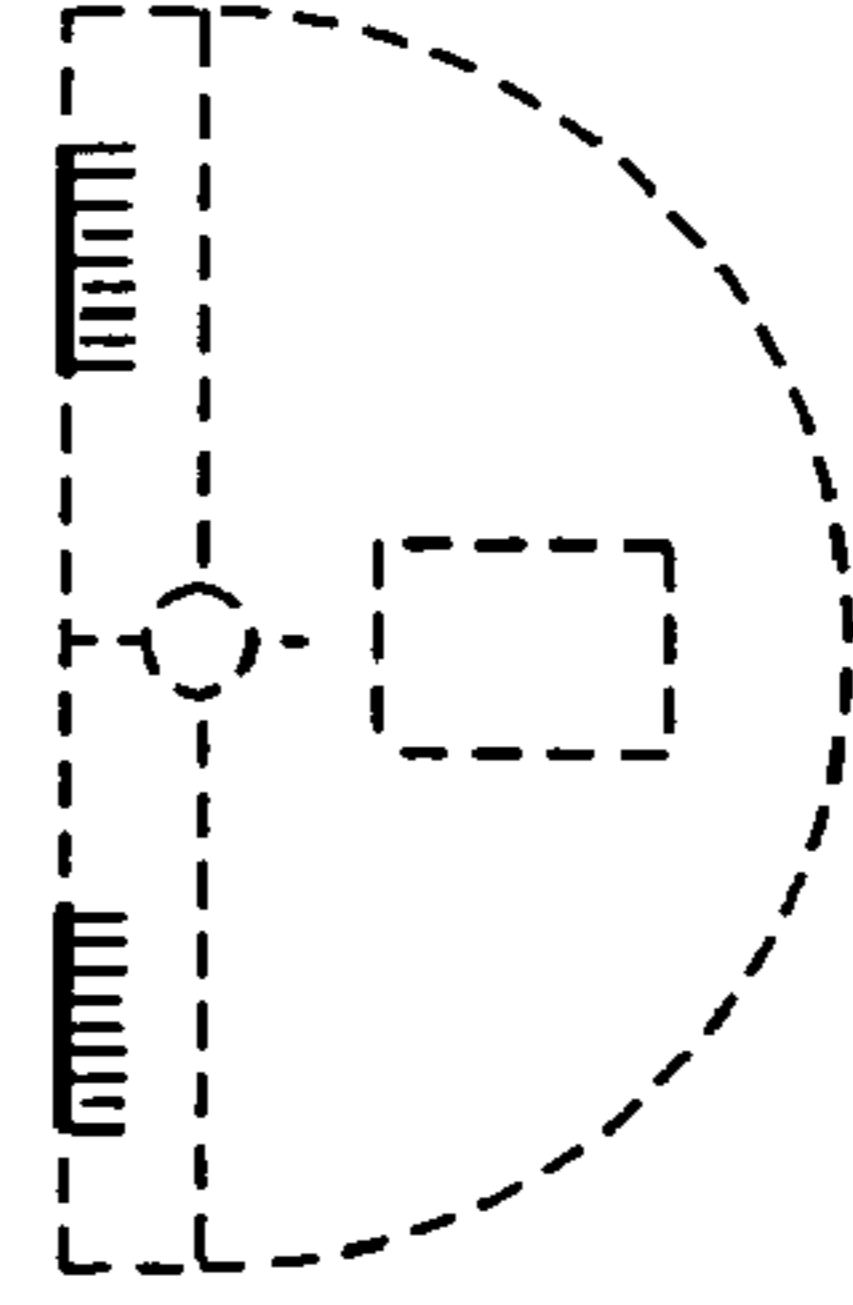


FIG. 7