



US00D555983S

(12) **United States Design Patent** (10) **Patent No.:** **US D555,983 S**
Tucker et al. (45) **Date of Patent:** **** Nov. 27, 2007**

(54) **CONTAINER FOR FOOD**

(75) Inventors: **Edward B. Tucker**, Yorkville, IL (US);
Anand Ramanujam, Oakville (CA);
Lawrence John Racana, Willowbrook,
IL (US); **Ares Marasligiller**, Cincinnati,
OH (US); **Jason Phillips**, Cincinnati,
OH (US); **Yashodhan Dhuru**,
Cincinnati, OH (US); **Gordon D.**
Thomas, Mason, OH (US); **Scott**
Zieker, Cincinnati, OH (US)

D388,325 S * 12/1997 Tucker et al. D9/425
D411,741 S * 6/1999 Wilson et al. D9/425
D428,777 S * 8/2000 Hayes et al. D7/629
D440,830 S * 4/2001 Tucker et al. D7/629
D445,650 S * 7/2001 Maxwell et al. D7/629
D448,606 S * 10/2001 Conti D7/392.1
D448,991 S * 10/2001 Zettle et al. D9/425
6,305,546 B1 * 10/2001 Saunders et al. 206/541
D450,983 S * 11/2001 Tucker et al. D7/629
D462,880 S * 9/2002 Maxwell et al. D7/629
D480,264 S * 10/2003 de Groote et al. D7/392.1
D485,473 S * 1/2004 Dais et al. D7/629

(73) Assignee: **The Glad Products Company**,
Oakland, CA (US)

* cited by examiner

(**) Term: **14 Years**

Primary Examiner—Cathron C. Brooks

Assistant Examiner—Ricky Pham

(21) Appl. No.: **29/254,068**

(74) *Attorney, Agent, or Firm*—Thomas C. Feix

(22) Filed: **Feb. 15, 2006**

(57) **CLAIM**

The ornamental design for a container for food, as shown.

(51) **LOC (8) Cl.** **07-04**

(52) **U.S. Cl.** **D7/629; D7/542**

(58) **Field of Classification Search** D7/317–319,
D7/391–392.1, 396.2, 510–511, 550.1, 601–602,
D7/629; D9/414, 418, 420–425, 428–430,
D9/435, 436, 440–454, 503–504; D3/273,
D3/274; 206/216, 457, 508, 541, 557, 822;
215/200, 211, 224, 243; 220/213, 351–376,
220/601, 669, 674, 675, 700–703, 711–715,
220/719, 783, 789, 790, 796, 797; 229/108,
229/114, 116.1, 120.14, 122.27, 406, 407,
229/902–906, 938; 426/106, 129, 130
See application file for complete search history.

DESCRIPTION

FIG. 1 is a front perspective view of a container for food showing our new design;

FIG. 2 is a top plan view thereof;

FIG. 3 is a bottom plan view thereof;

FIG. 4 is a left side elevational view thereof;

FIG. 5 is a front elevational view thereof; and,

FIG. 6 is a right side elevational view thereof, the rear elevational view being a mirror image thereof.

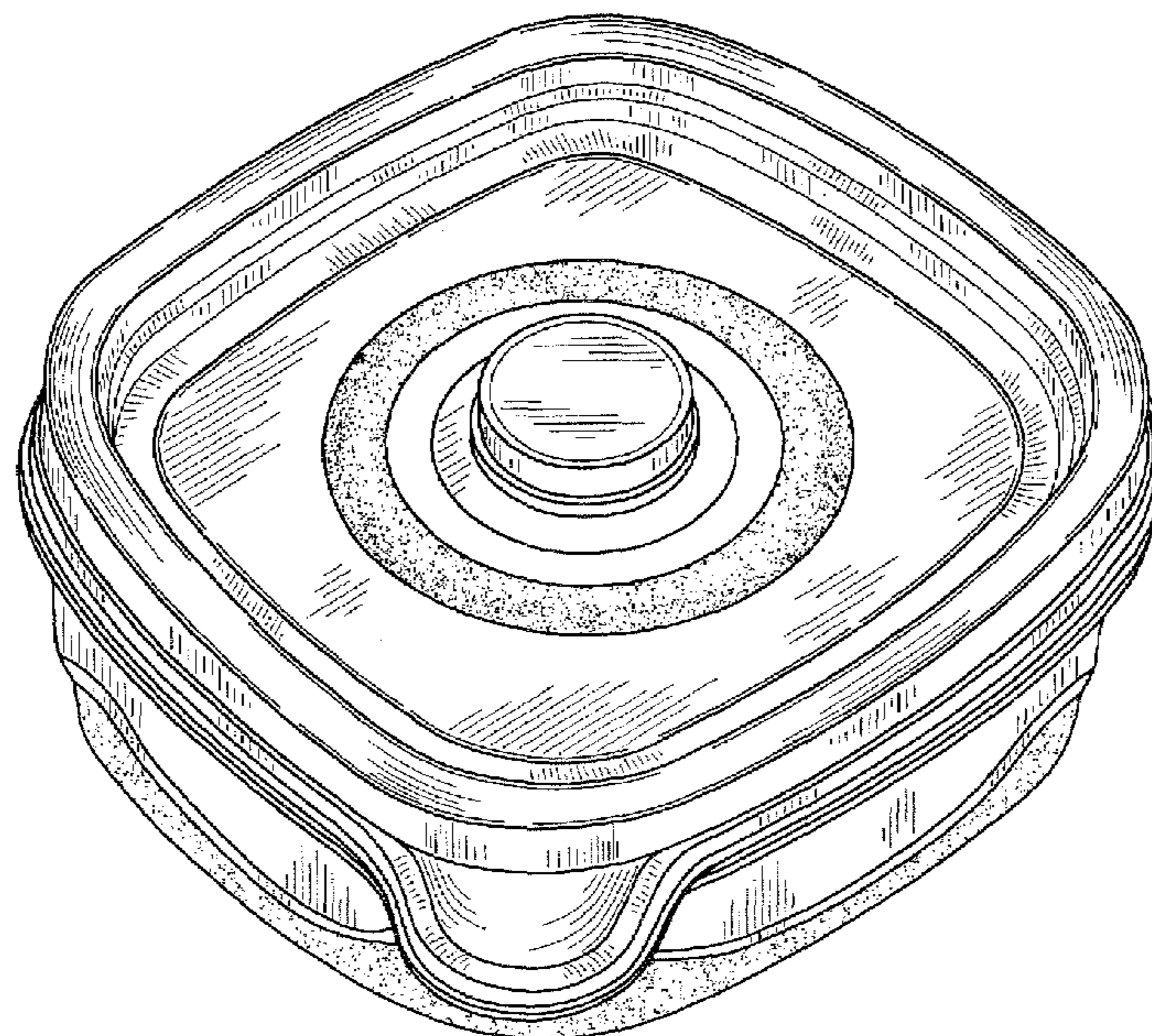
The broken lines shown in the drawings are for illustrating portions of the container for food that form no part of the claimed design.

(56) **References Cited**

U.S. PATENT DOCUMENTS

D277,632 S * 2/1985 Staufenberg D7/629

1 Claim, 2 Drawing Sheets



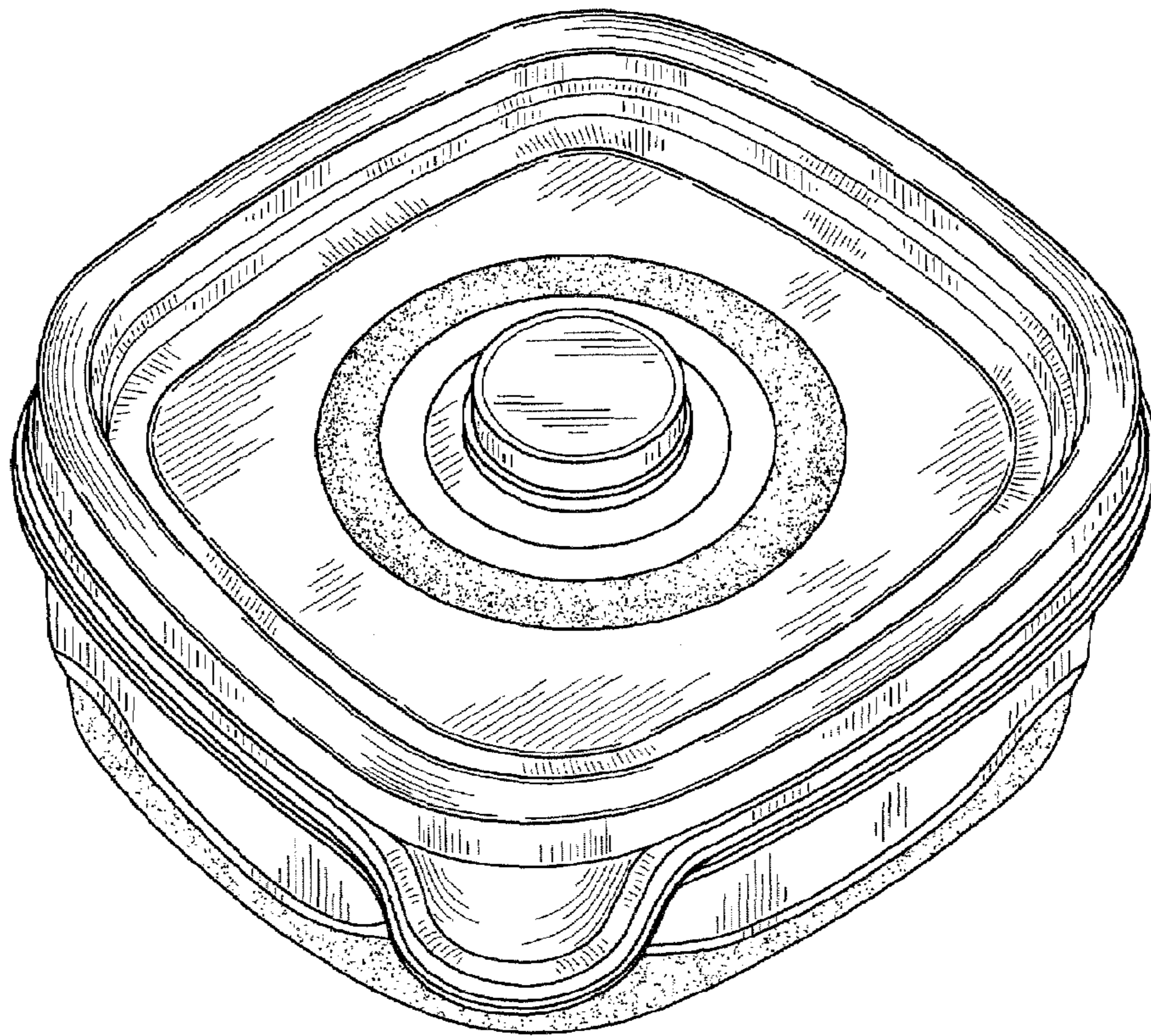


FIG. 1

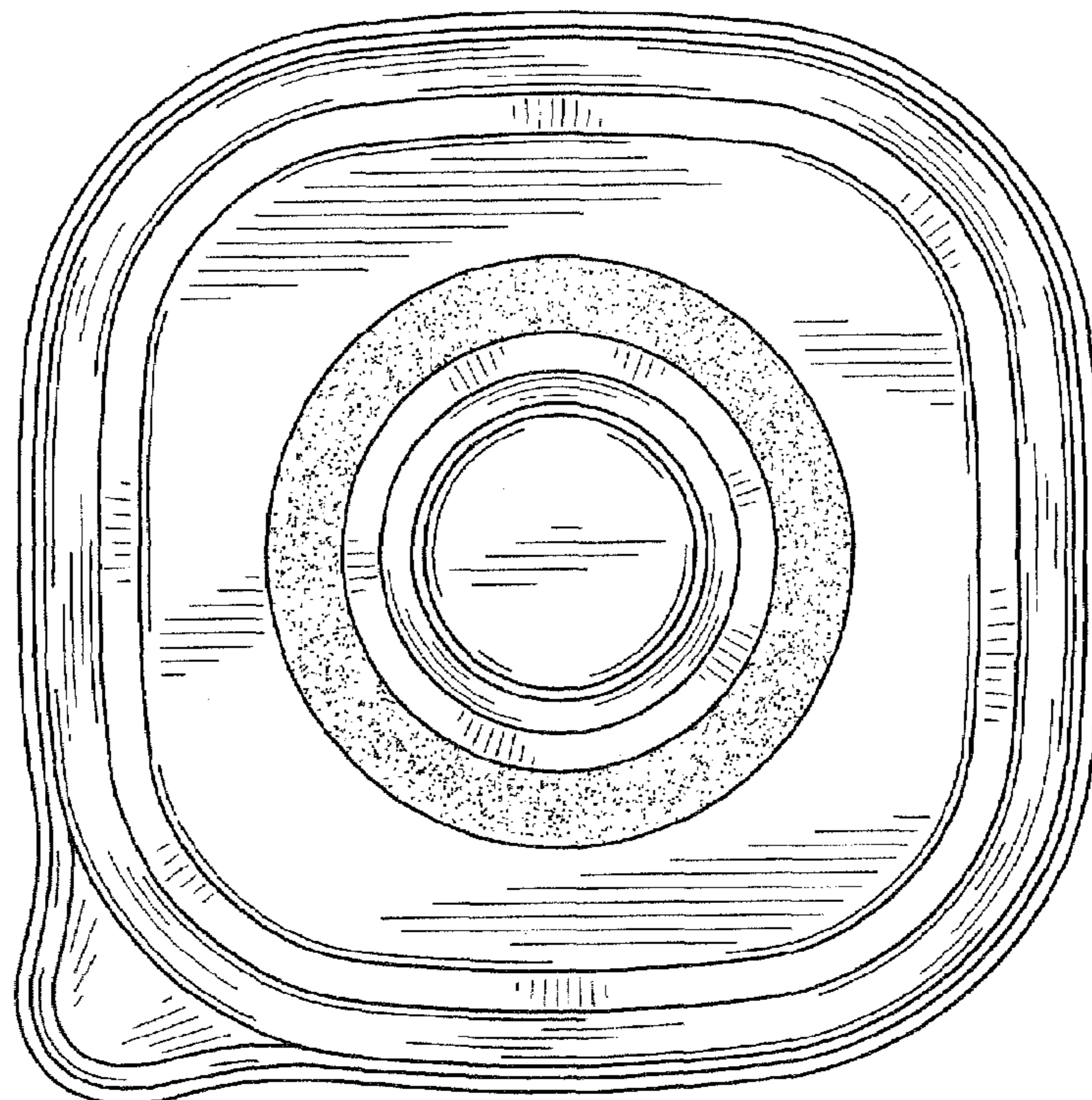


FIG. 2

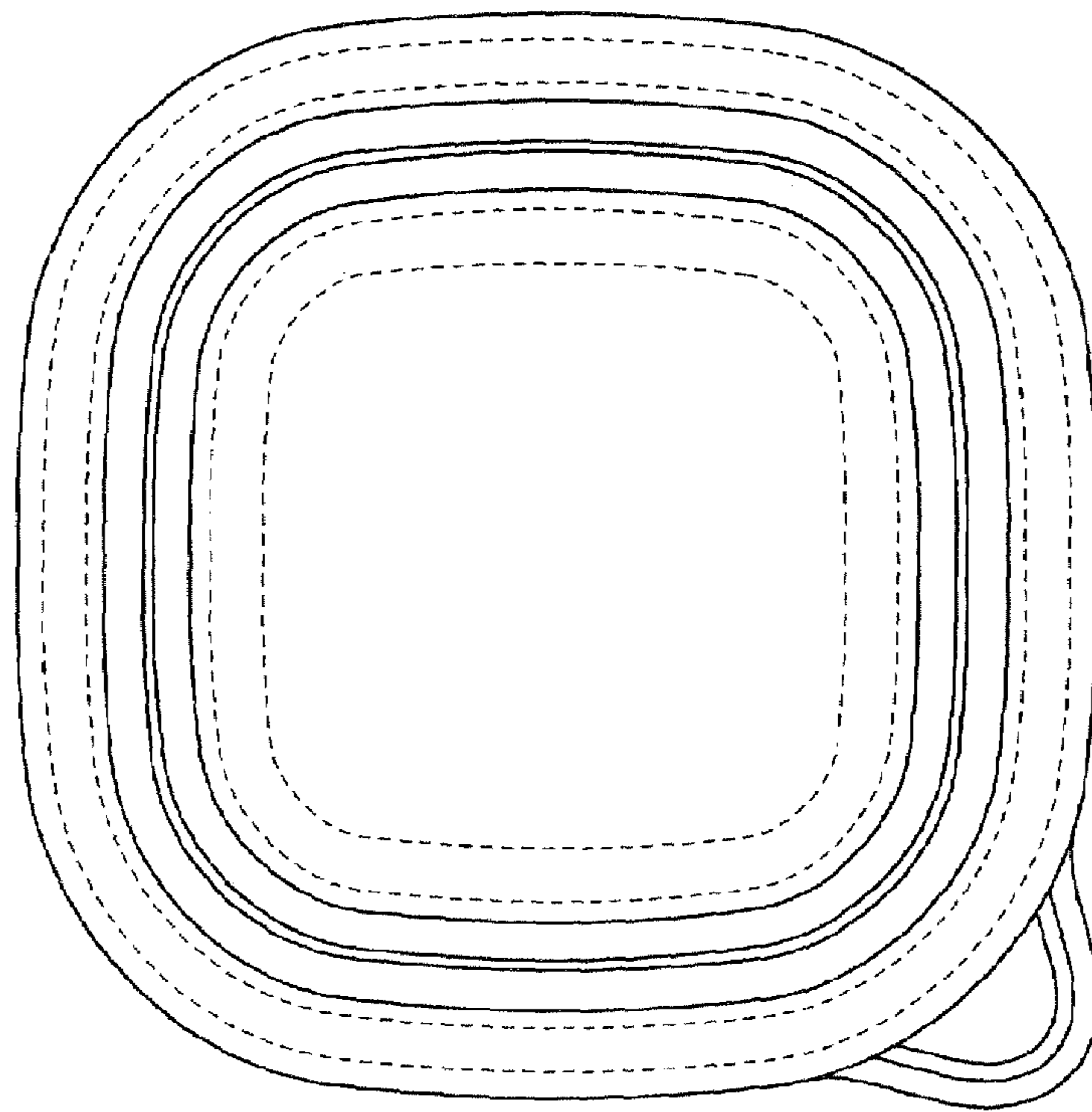


FIG. 3

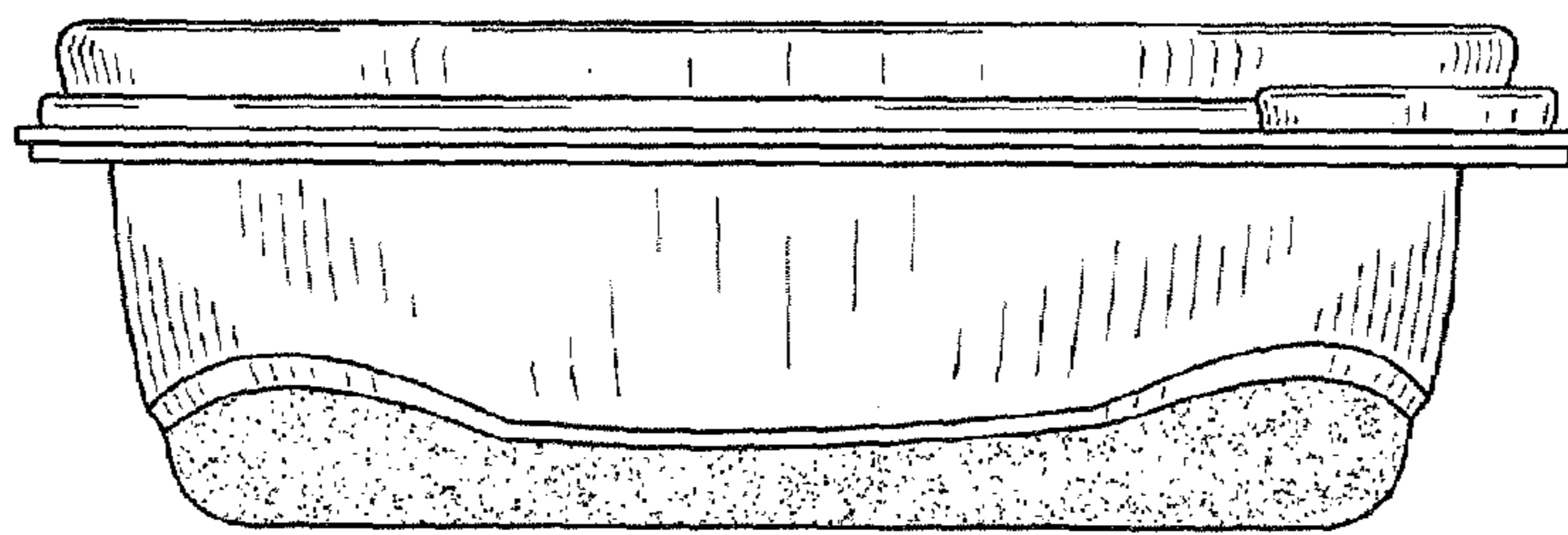


FIG. 4

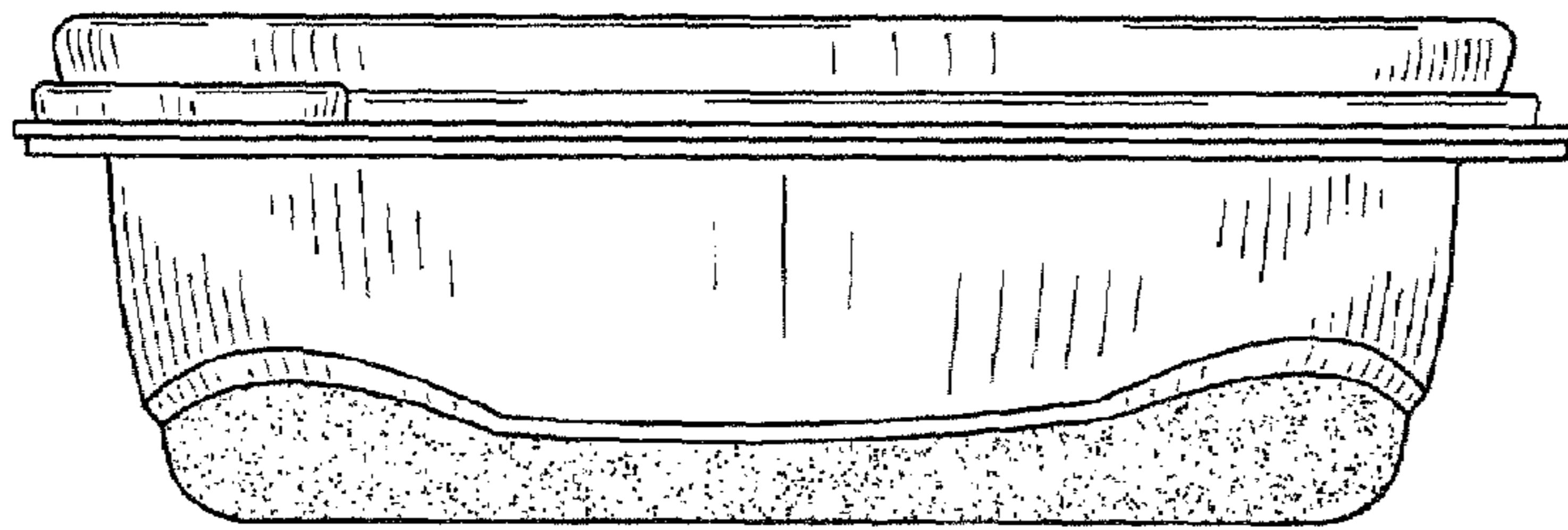


FIG. 5

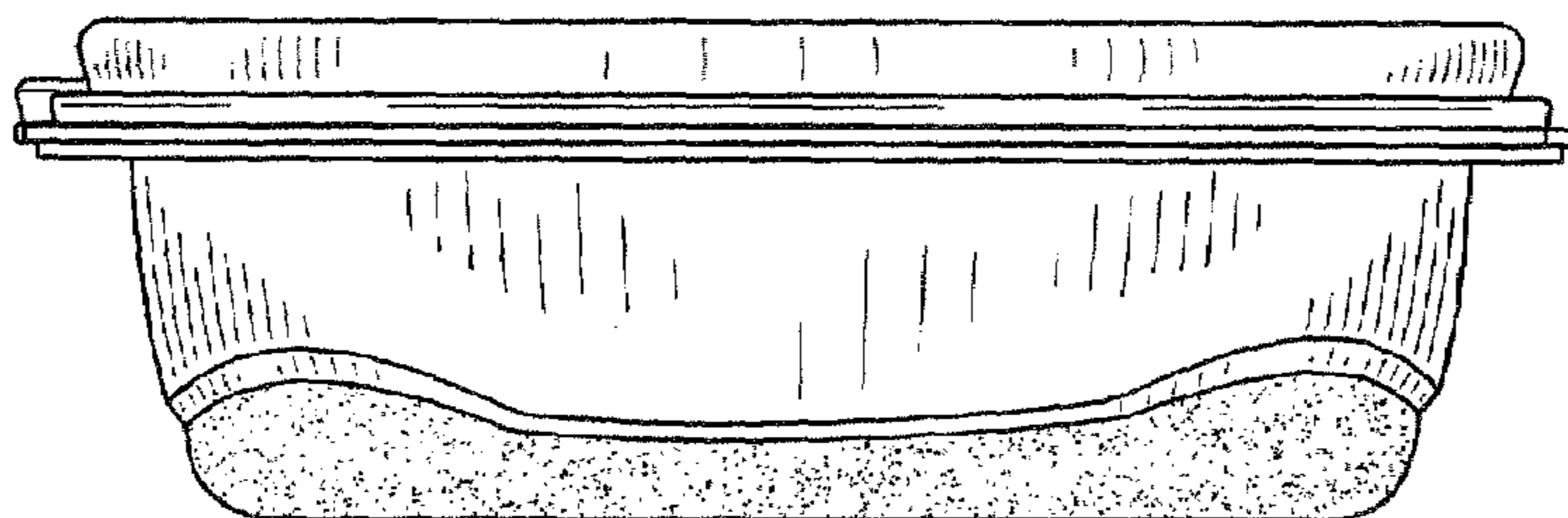


FIG. 6