



US00D555979S

(12) **United States Design Patent**
Mansfield

(10) **Patent No.:** **US D555,979 S**

(45) **Date of Patent:** **** Nov. 27, 2007**

(54) **DRINKING CUP**

(76) Inventor: **Bryan D Mansfield**, c/o Hurricane Shooters LLC 2306 60th Dr. East, Bradenton, FL (US) 34203

(**) Term: **14 Years**

(21) Appl. No.: **29/250,855**

(22) Filed: **Dec. 1, 2006**

Related U.S. Application Data

(63) Continuation-in-part of application No. 29/244,074, filed on Dec. 5, 2005, now abandoned, which is a continuation-in-part of application No. 11/255,572, filed on Oct. 21, 2005, application No. 29/250,855, which is a continuation-in-part of application No. 11/294,640, filed on Dec. 5, 2005.

(51) **LOC (8) Cl.** **07-01**

(52) **U.S. Cl.** **D7/523; D7/509**

(58) **Field of Classification Search** D7/396.2, D7/500, 509, 510, 523, 524, 526-528, 530-532, D7/540, 565, 584, 900; D9/500, 502, 516, D9/519, 549, 555, 776, 778; D34/1; 215/10, 215/387, DIG. 7; 220/495.04, 560, 592.16, 220/592.17, 703; 226/406; 229/400; 383/110
See application file for complete search history.

(56) **References Cited**

U.S. PATENT DOCUMENTS

- D169,370 S * 4/1953 Greenspan D11/143
- 3,128,029 A * 4/1964 Price et al. 229/400
- 3,342,370 A * 9/1967 Johnson 206/520
- D217,781 S * 6/1970 Stone D7/523
- D222,375 S * 10/1971 Bencik D7/523
- D239,151 S * 3/1976 Lundin D7/523
- D282,134 S * 1/1986 Durand D7/523
- D400,398 S * 11/1998 McNaughton D7/513
- 6,382,449 B1 * 5/2002 Kazmierski et al. 229/400
- D471,404 S * 3/2003 Gady D7/523
- D508,594 S * 8/2005 Snell D34/1

D539,091 S * 3/2007 Mansfield D7/513
2006/0021986 A1 * 2/2006 Mansfield et al. 220/506

* cited by examiner

Primary Examiner—Philip S. Hyder
Assistant Examiner—Cynthia Underwood
(74) *Attorney, Agent, or Firm*—Mark Douma

(57) **CLAIM**

I claim the ornamental design for a drinking cup, as shown and described.

DESCRIPTION

FIG. 1 is a perspective view of a drinking cup showing my new design;

FIG. 2 is a side elevation view thereof;

FIG. 3 is a top plan view thereof;

FIG. 4 is a bottom plan view thereof;

FIG. 5 is a sectional view thereof taken along line 5—5 in FIG. 3;

FIG. 6 is a perspective view of another embodiment of my design as shown in FIG. 1, with an added translucent band on the inner rim, said band having one or more insubstantial dimples on its' bottom edge;

FIG. 7 is a side elevation view thereof all other side views being identical;

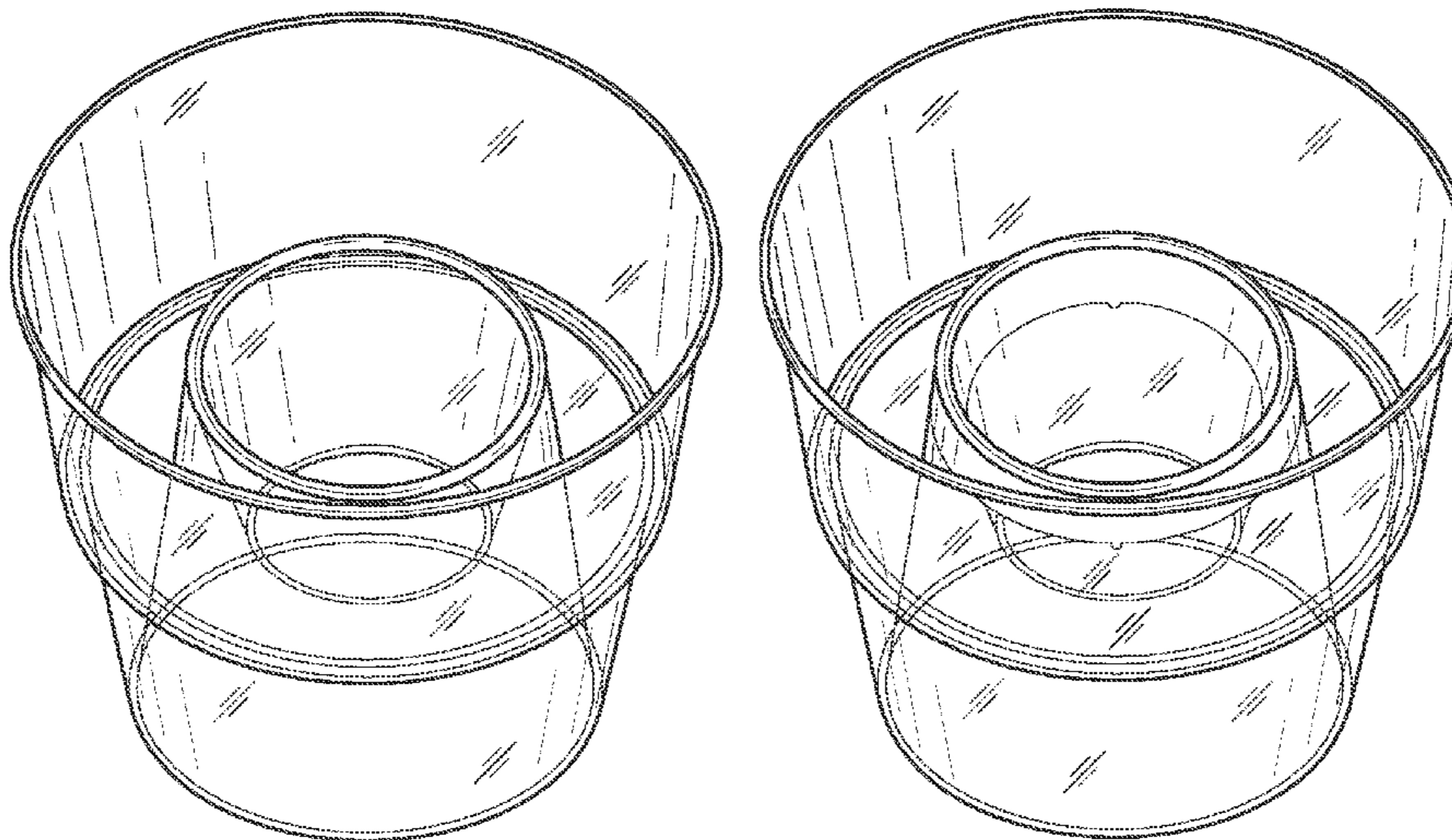
FIG. 8 is a top plan view thereof;

FIG. 9 is a bottom plan view thereof; and,

FIG. 10 is a sectional view thereof taken along line 10—10 in FIG. 8.

The design is characterized by having three more or less upright walls with a step in the outer wall and an inner chamber suspended by walls over a hollow bottom. Visibility of the interior walls may be reduced in subdued lighting depending on the amount of colorant used, but would be visible under bright overhead lighting.

1 Claim, 6 Drawing Sheets



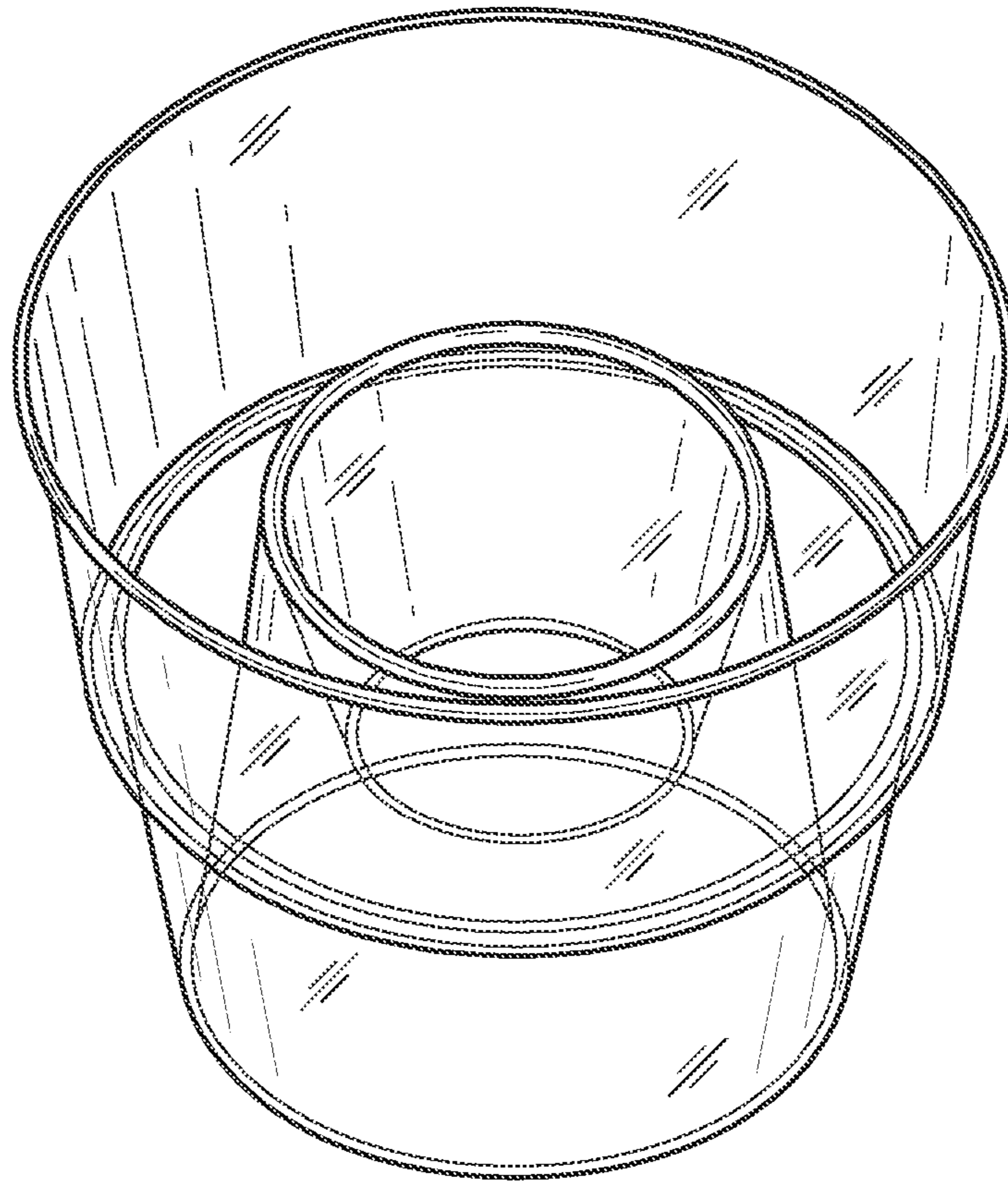


FIG. 1

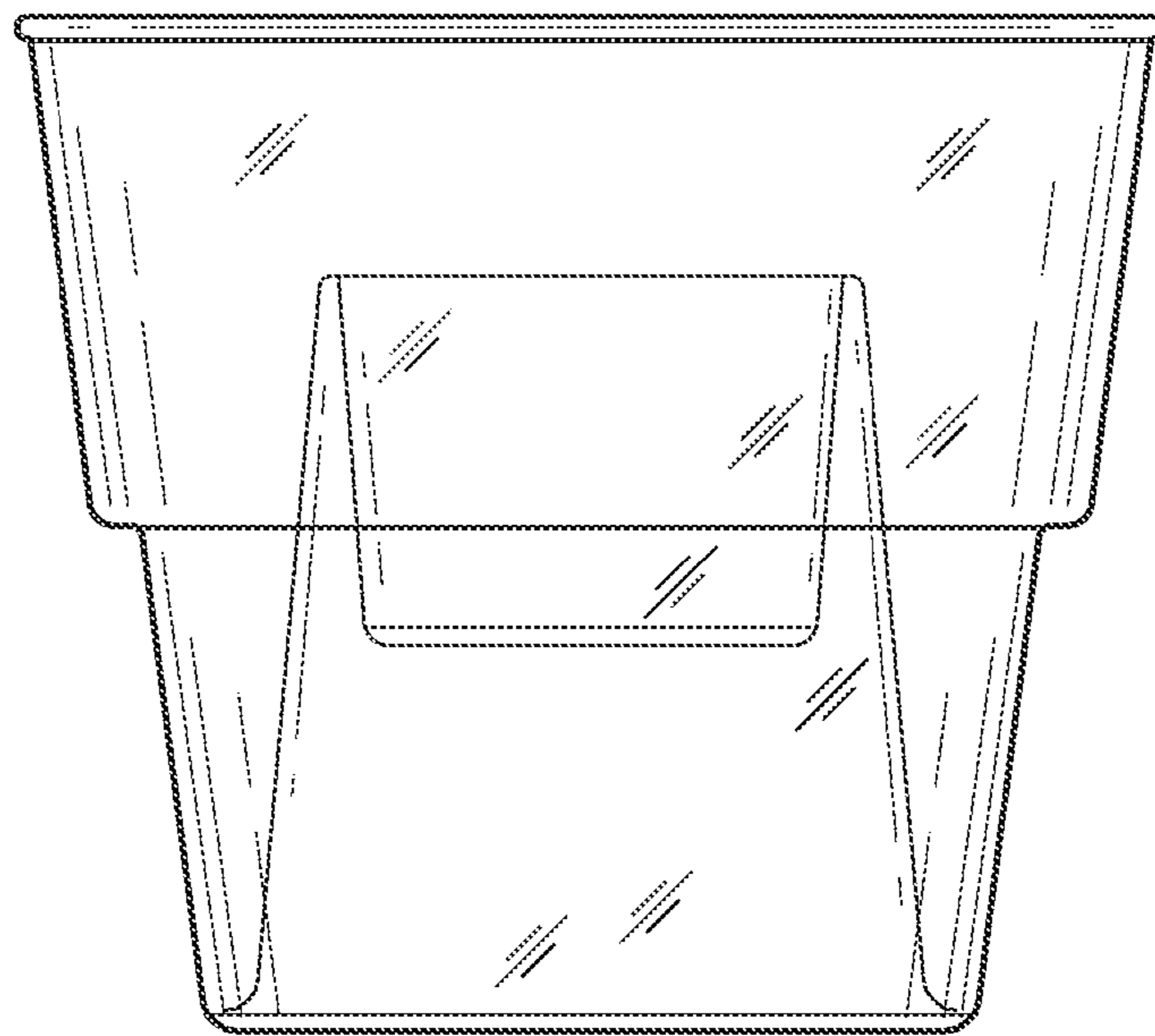


FIG. 2

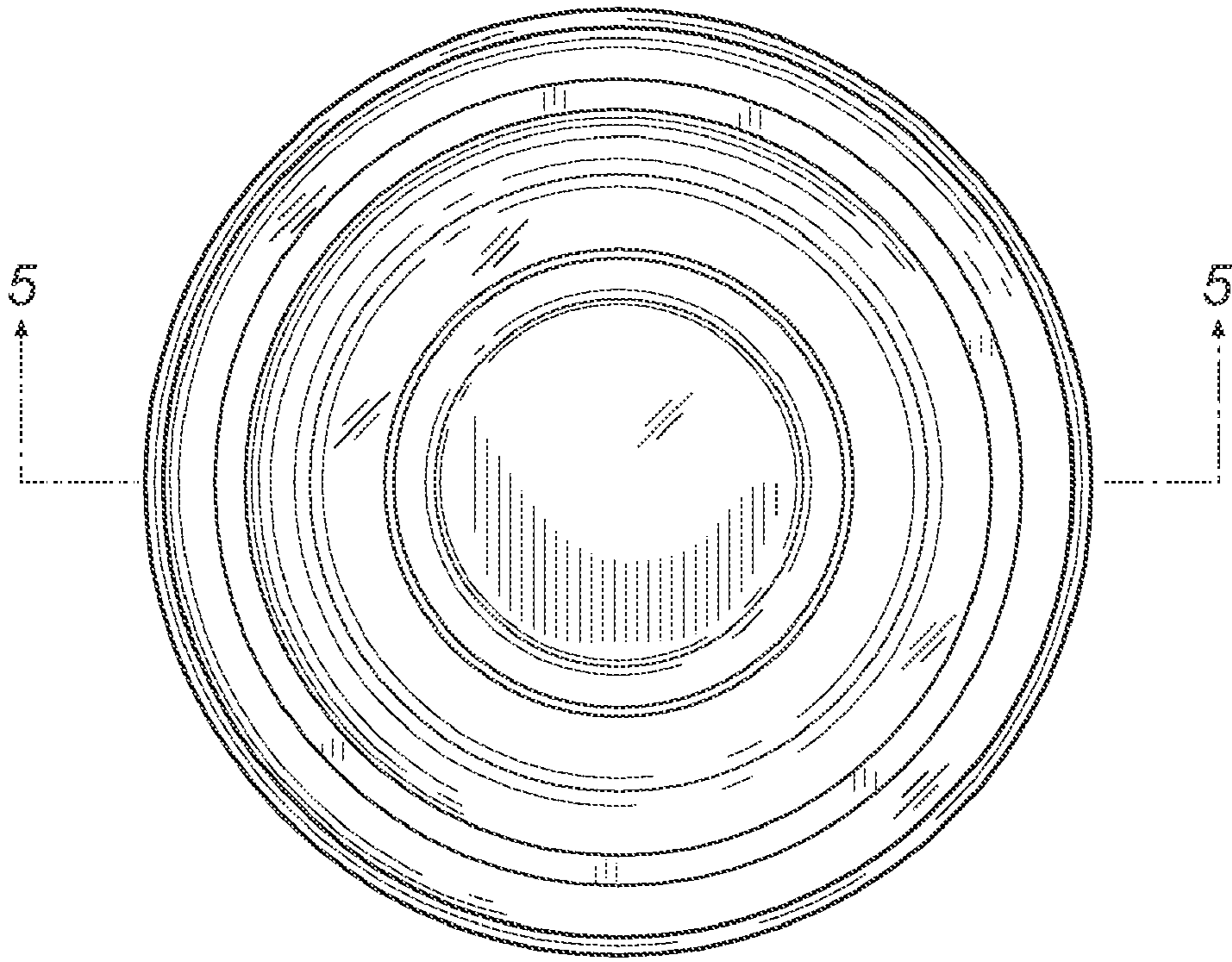


FIG. 3

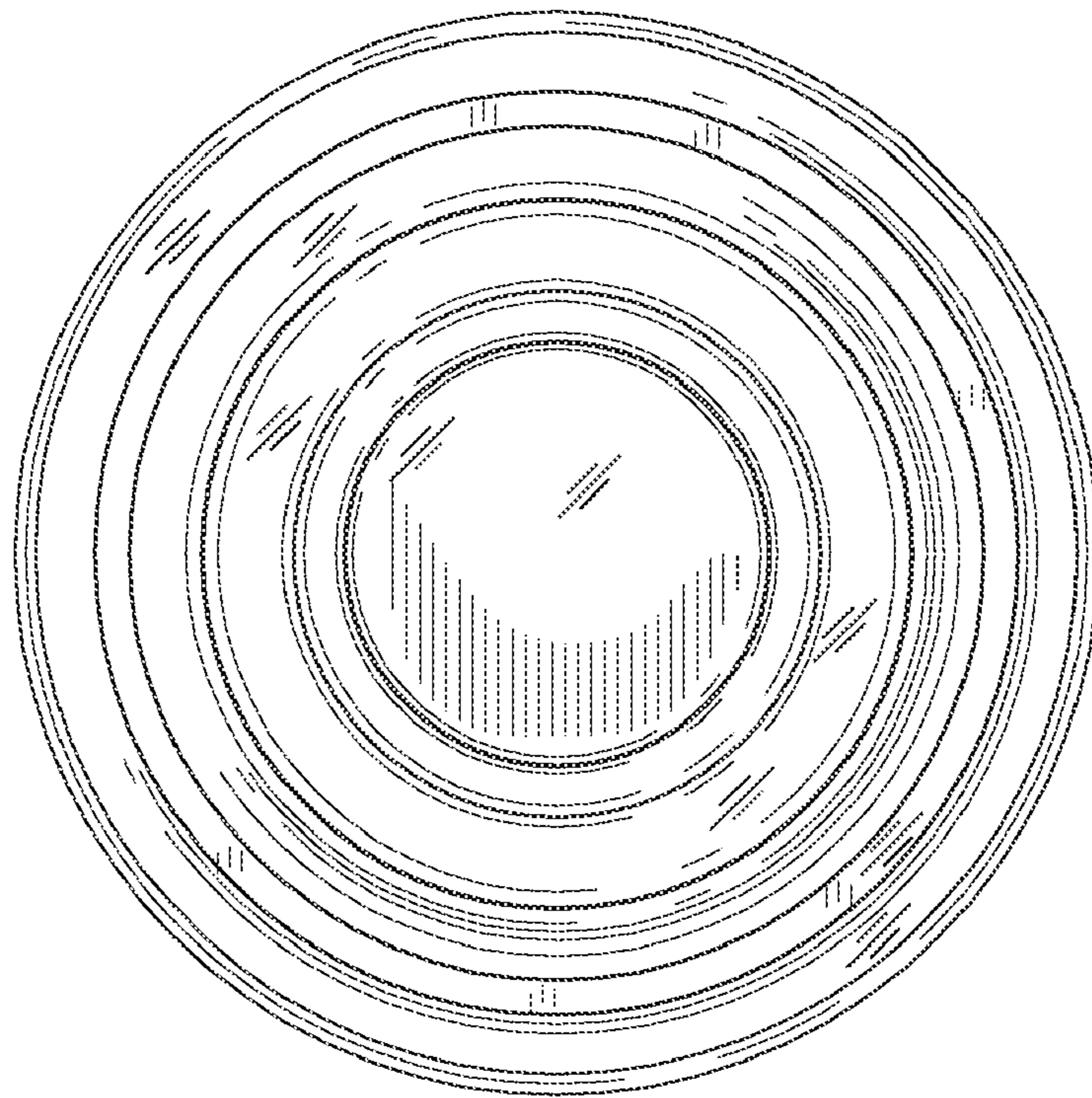


FIG. 4

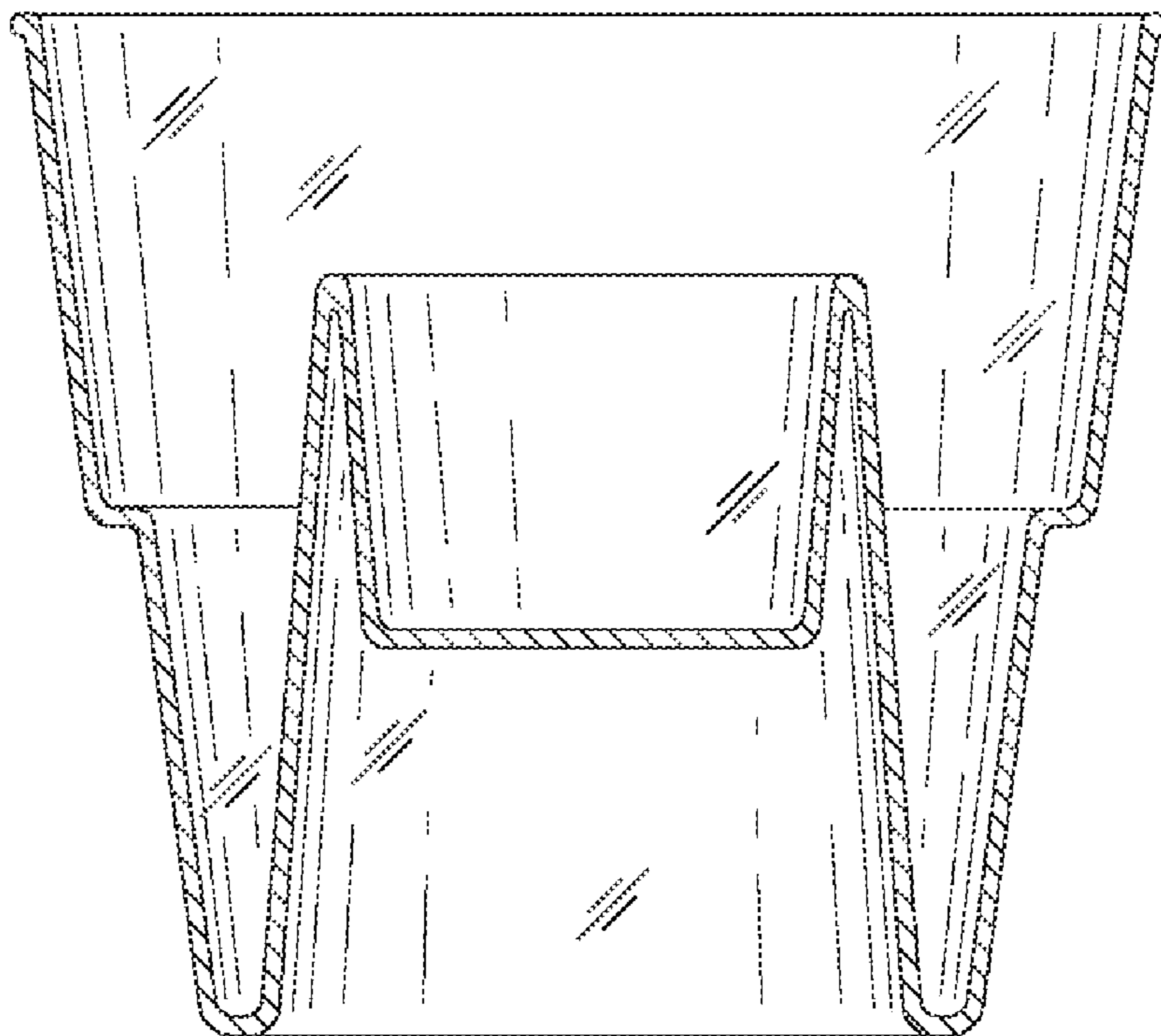


FIG. 5

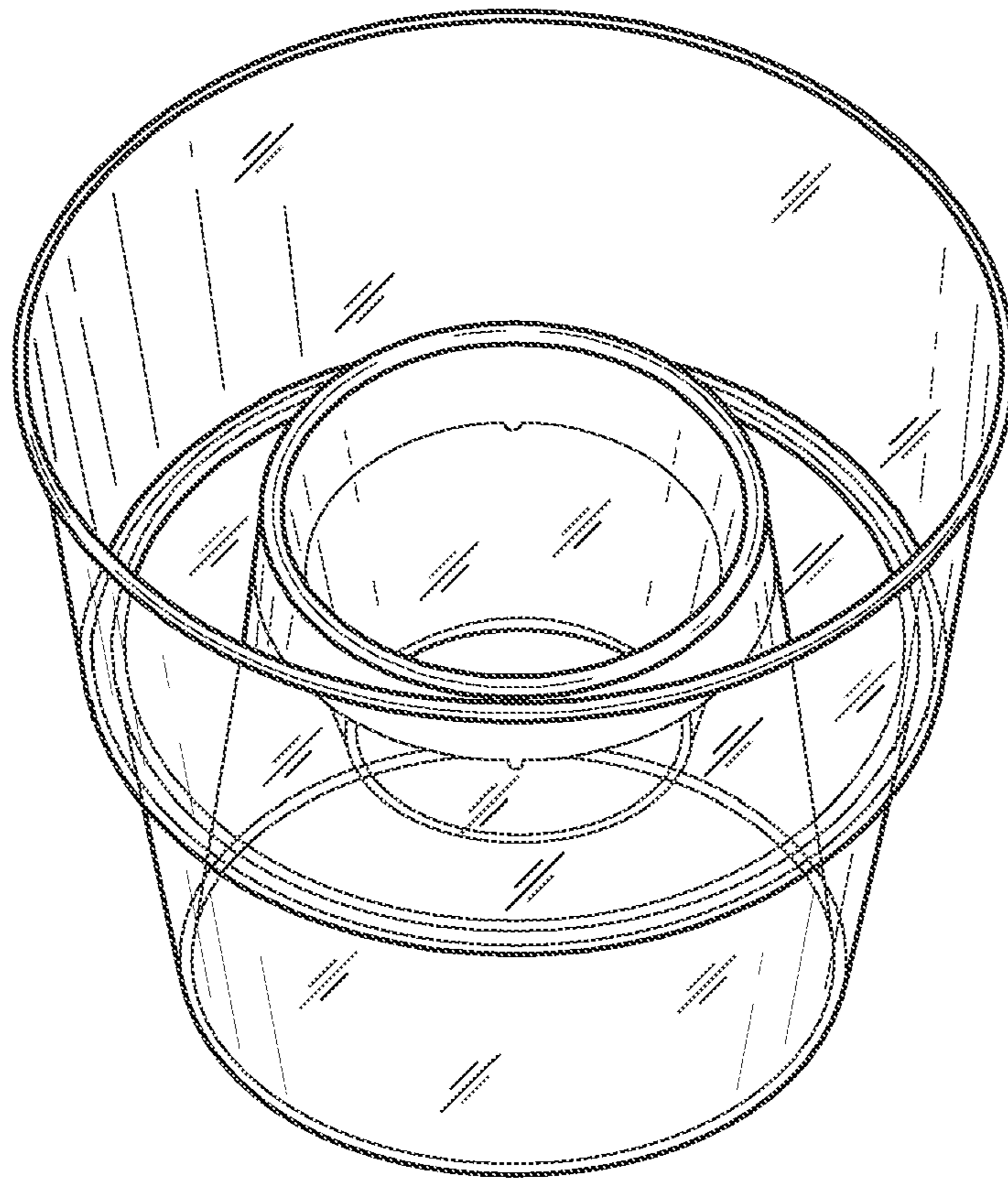


FIG. 6

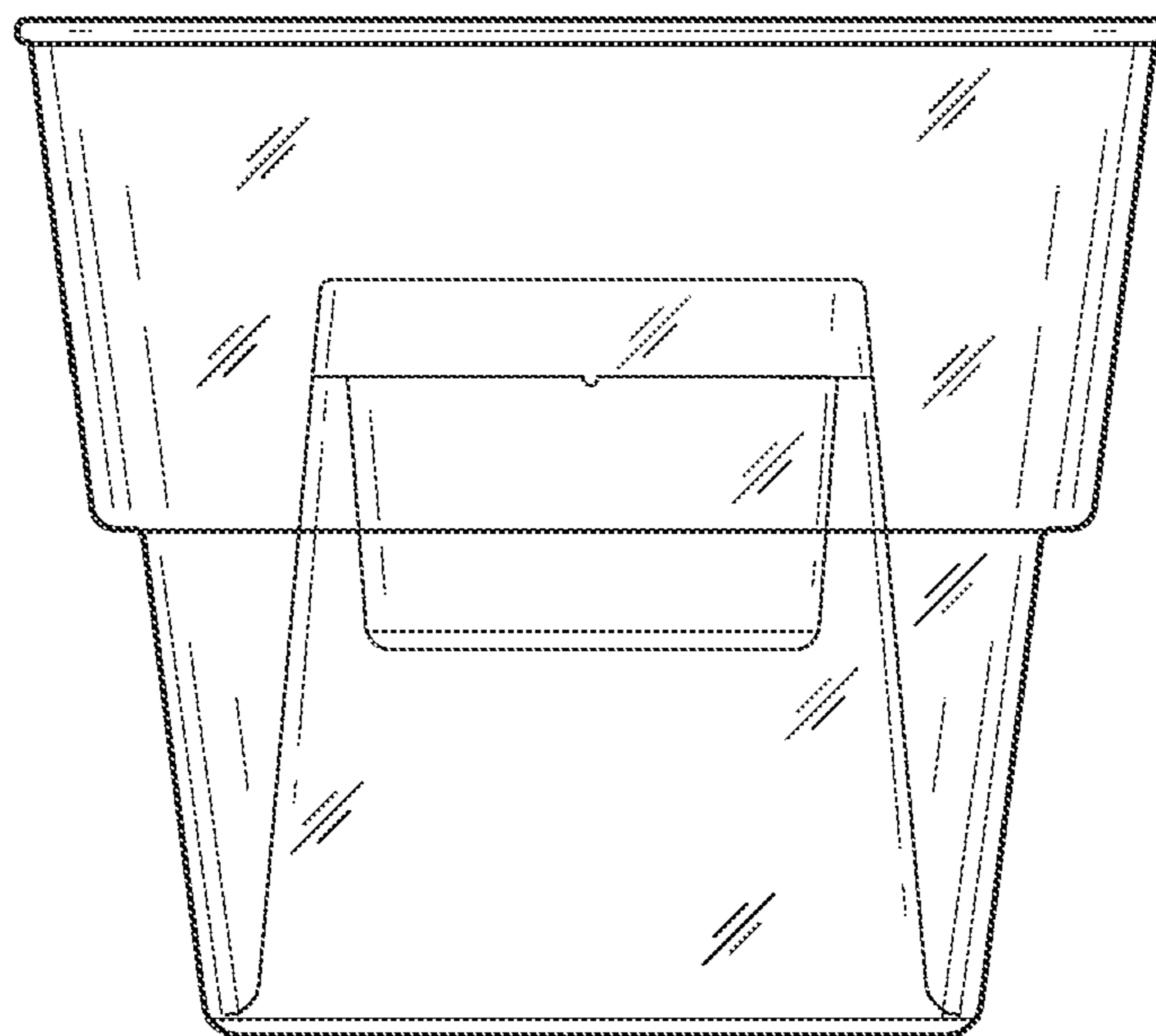


FIG. 7

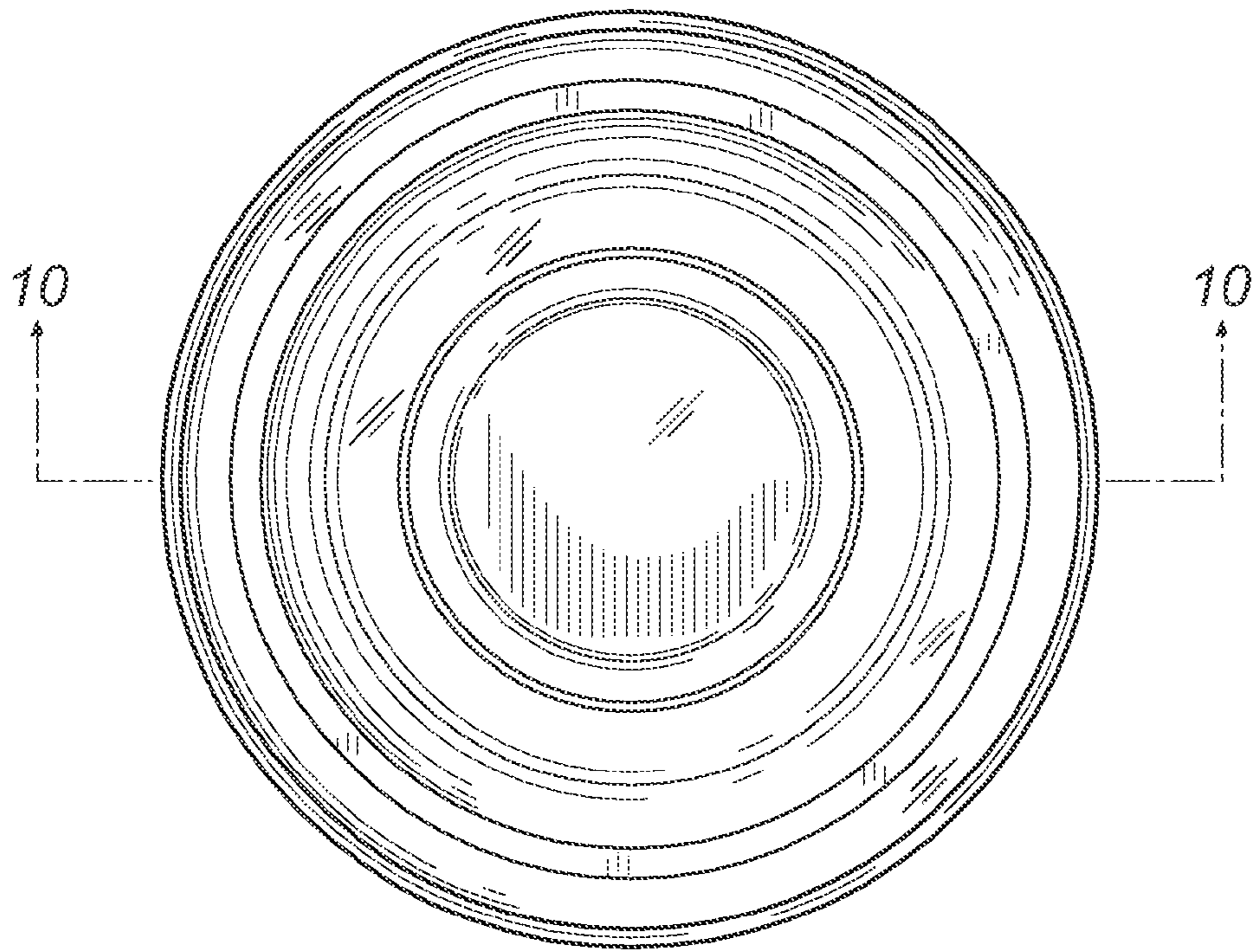


FIG. 8

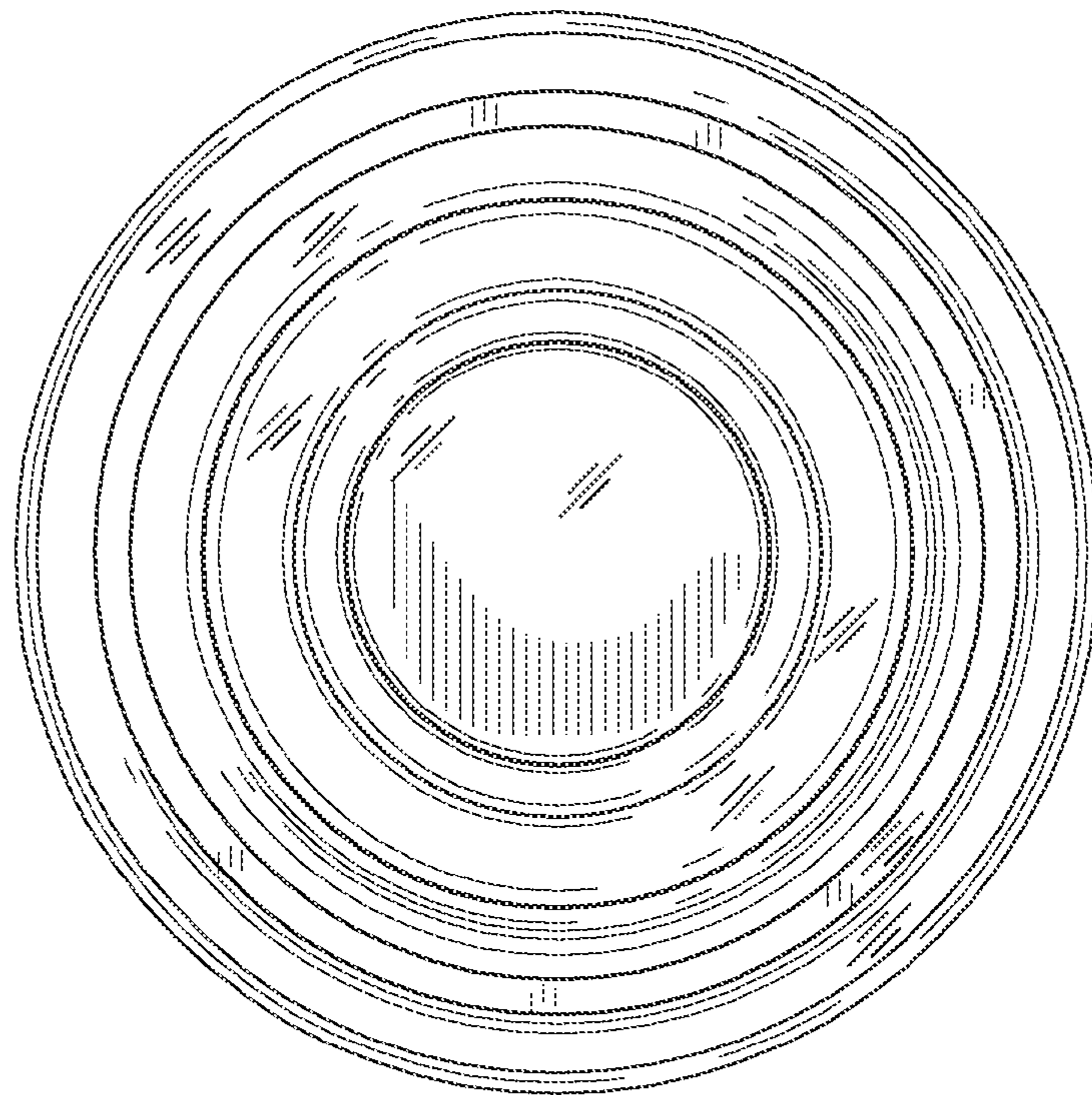


FIG. 9

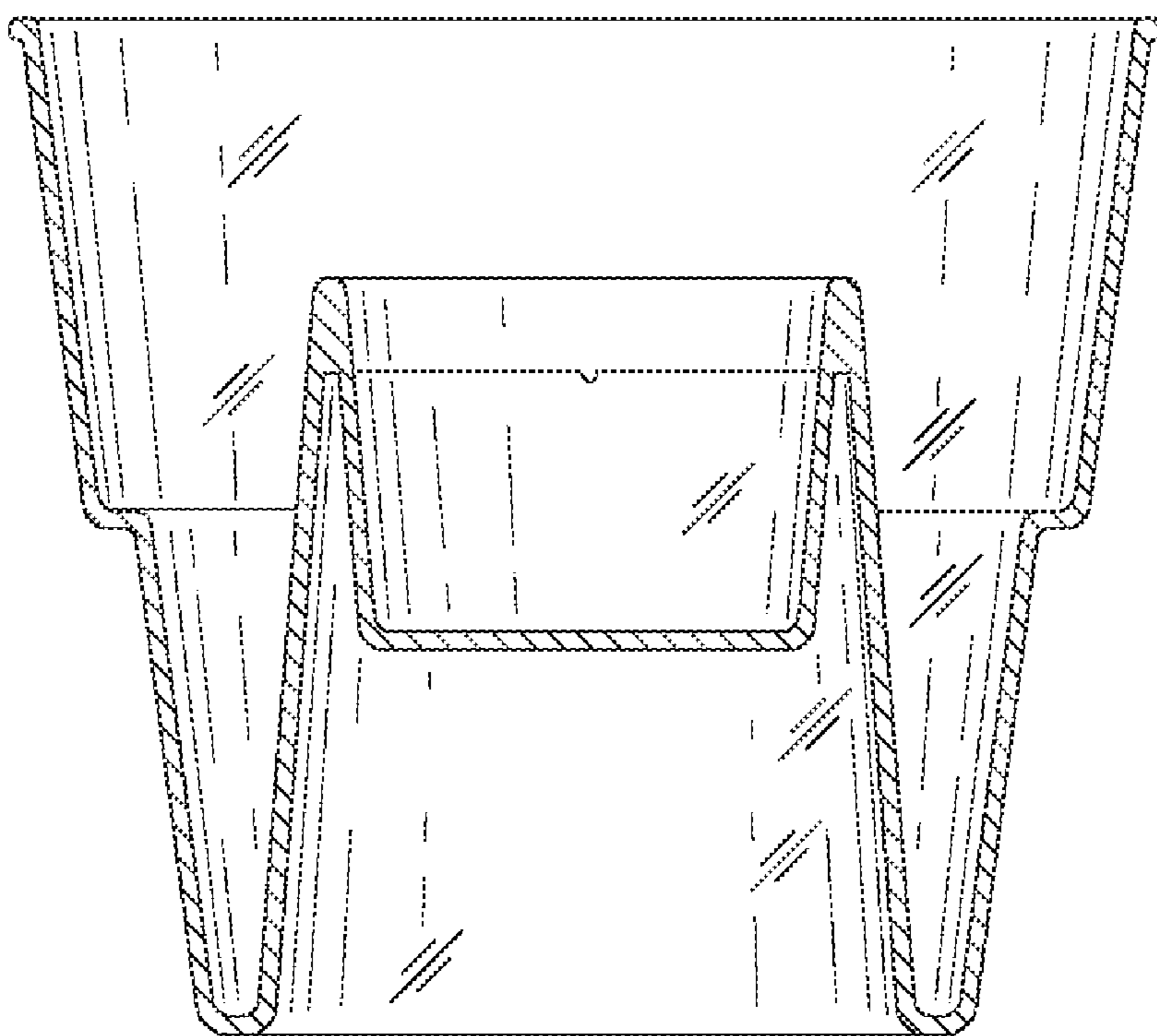


FIG. 10