



US00D555974S

(12) **United States Design Patent**
Miller

(10) **Patent No.:** **US D555,974 S**

(45) **Date of Patent:** **** Nov. 27, 2007**

(54) **BEVERAGE DISPENSE VALVE**

(75) **Inventor:** **Simon Robert Miller**, West Midlands
(GB)

(73) **Assignee:** **Trupour Limited**, Longford (IE)

(**) **Term:** **14 Years**

(21) **Appl. No.:** **29/255,389**

(22) **Filed:** **Mar. 6, 2006**

(30) **Foreign Application Priority Data**

Sep. 7, 2005 (EM) 000397971-001

(51) **LOC (8) Cl.** **07-01**

(52) **U.S. Cl.** **D7/398; D7/397; D7/387**

(58) **Field of Classification Search** D7/306-308,
D7/313, 387, 392, 392.1, 395-398; D23/213-216,
D23/220, 233, 249, 252, 255, 238, 242, 262,
D23/270, 566, 567, 571, 572, 207; 222/566,
222/478, 481

See application file for complete search history.

(56) **References Cited**

U.S. PATENT DOCUMENTS

D141,843 S *	7/1945	Yuza	D7/398
D174,202 S *	3/1955	Tomlinson	D7/398
D202,327 S *	9/1965	Reichow et al.	D7/308
D227,761 S *	7/1973	Arbon	D23/238
D280,880 S *	10/1985	Schweres	D7/398
D475,241 S *	6/2003	Mattiuazzo	D7/398
D475,888 S *	6/2003	Celli	D7/398
D483,609 S *	12/2003	Guadalupi	D7/398

* cited by examiner

Primary Examiner—Philip S. Hyder

Assistant Examiner—Cynthia Underwood

(74) *Attorney, Agent, or Firm*—Lowell W. Gresham; Jordan M. Meschkow; Charlene R. Jacobsen

(57) **CLAIM**

The ornamental design for a beverage dispense valve, as shown and described.

DESCRIPTION

FIG. 1 is a left side view of the design, with a handle in a first position; it being noted that a right side view is a mirror image to the left side view of FIG. 1 and that the handle itself does not form part of the design;

FIG. 2 is a left side view of the design, with the handle in a second position;

FIG. 3 is a front view of the design, with the handle in the first position;

FIG. 4 is a rear view of the design, with the handle in the first position;

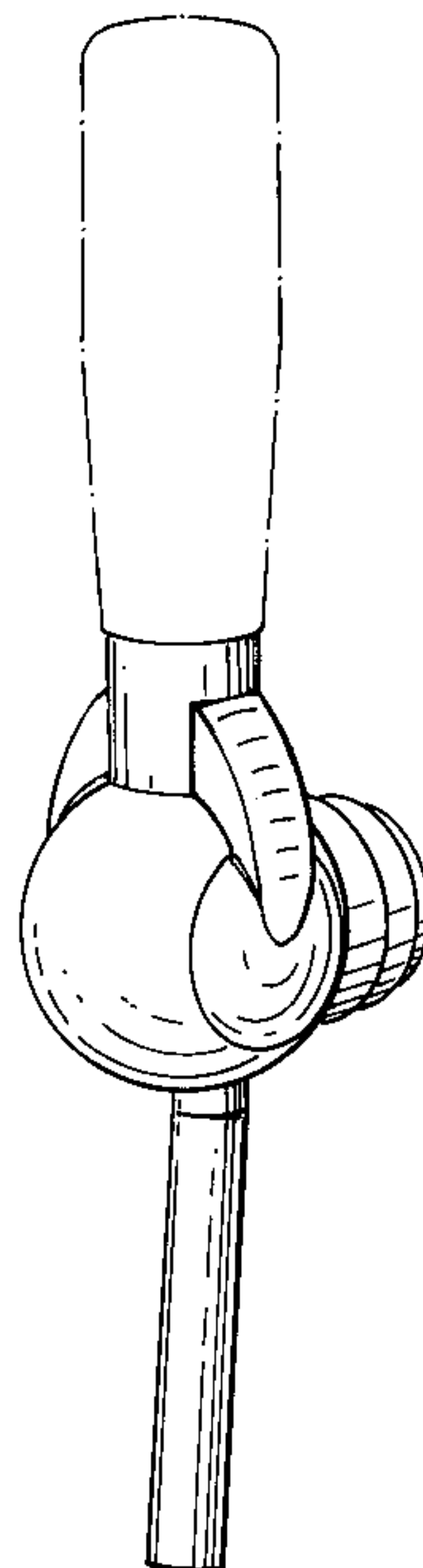
FIG. 5 is a top view of the design, with the handle in the first position;

FIG. 6 is a bottom view of the design, with the handle in the first position; and,

FIG. 7 is a perspective view of the design, with the handle in the first position.

The broken line showing of the handle is included for the purpose of illustrating the environment and forms no part of the claimed design.

1 Claim, 6 Drawing Sheets



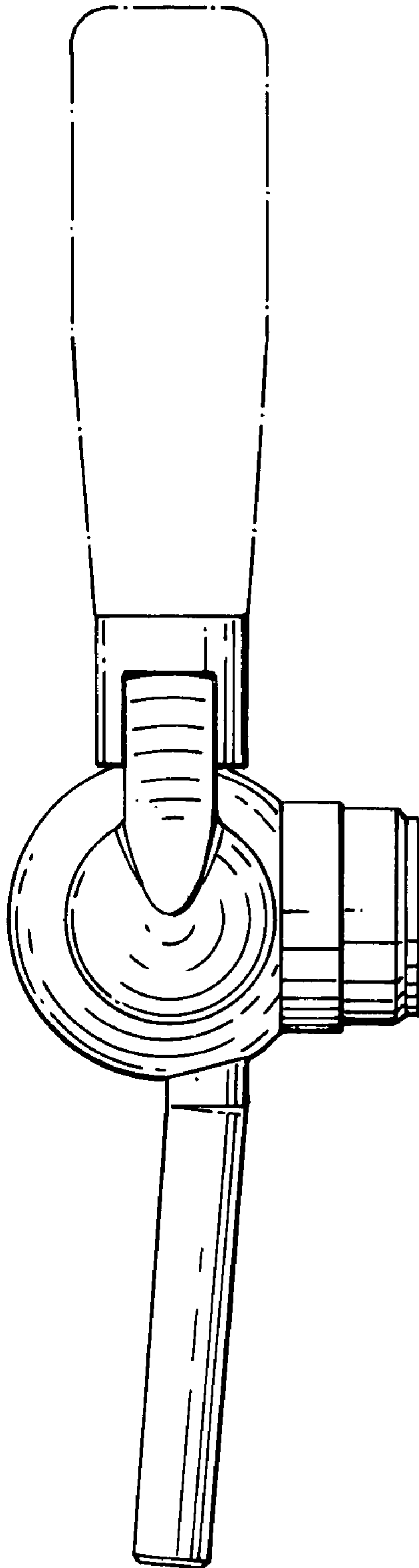


FIG. 1

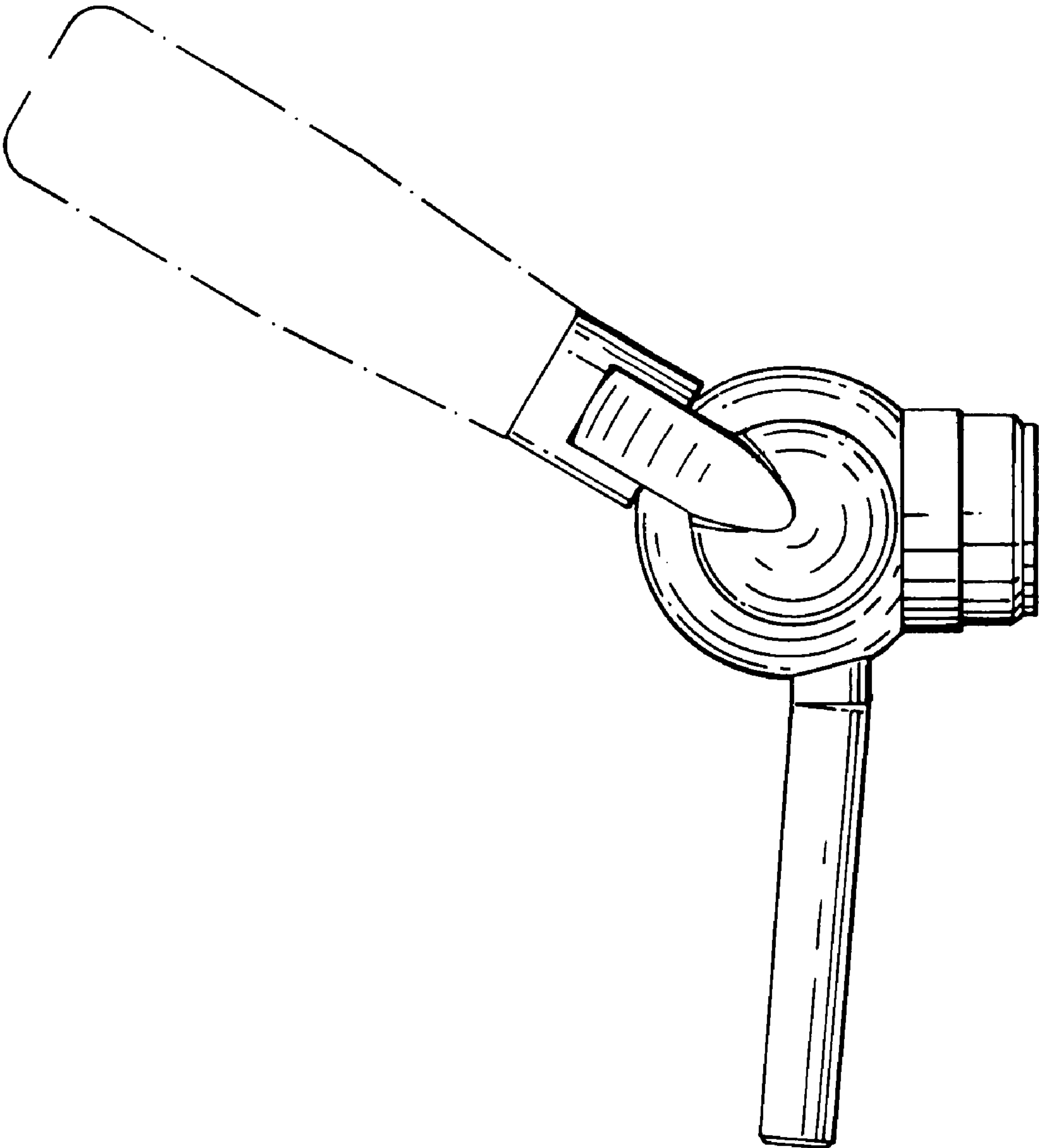


FIG. 2

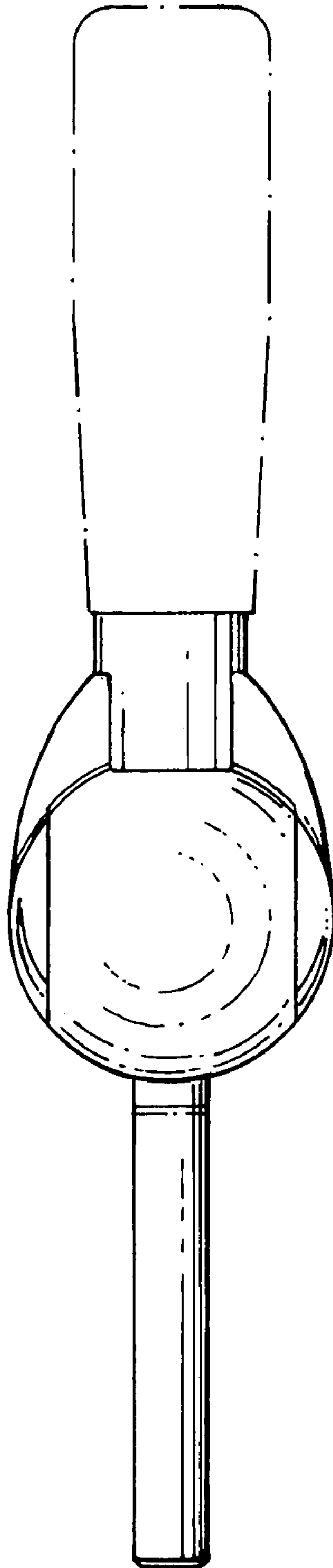


FIG. 3

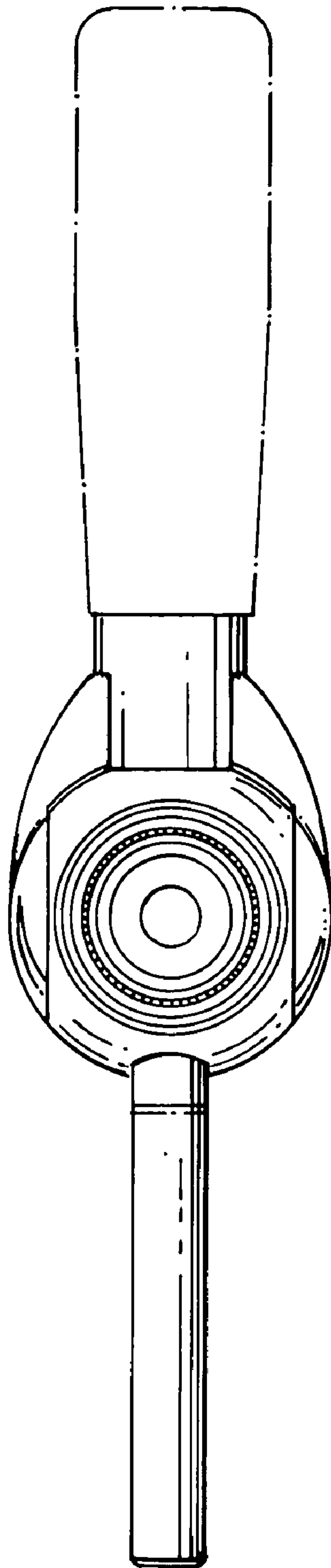


FIG. 4

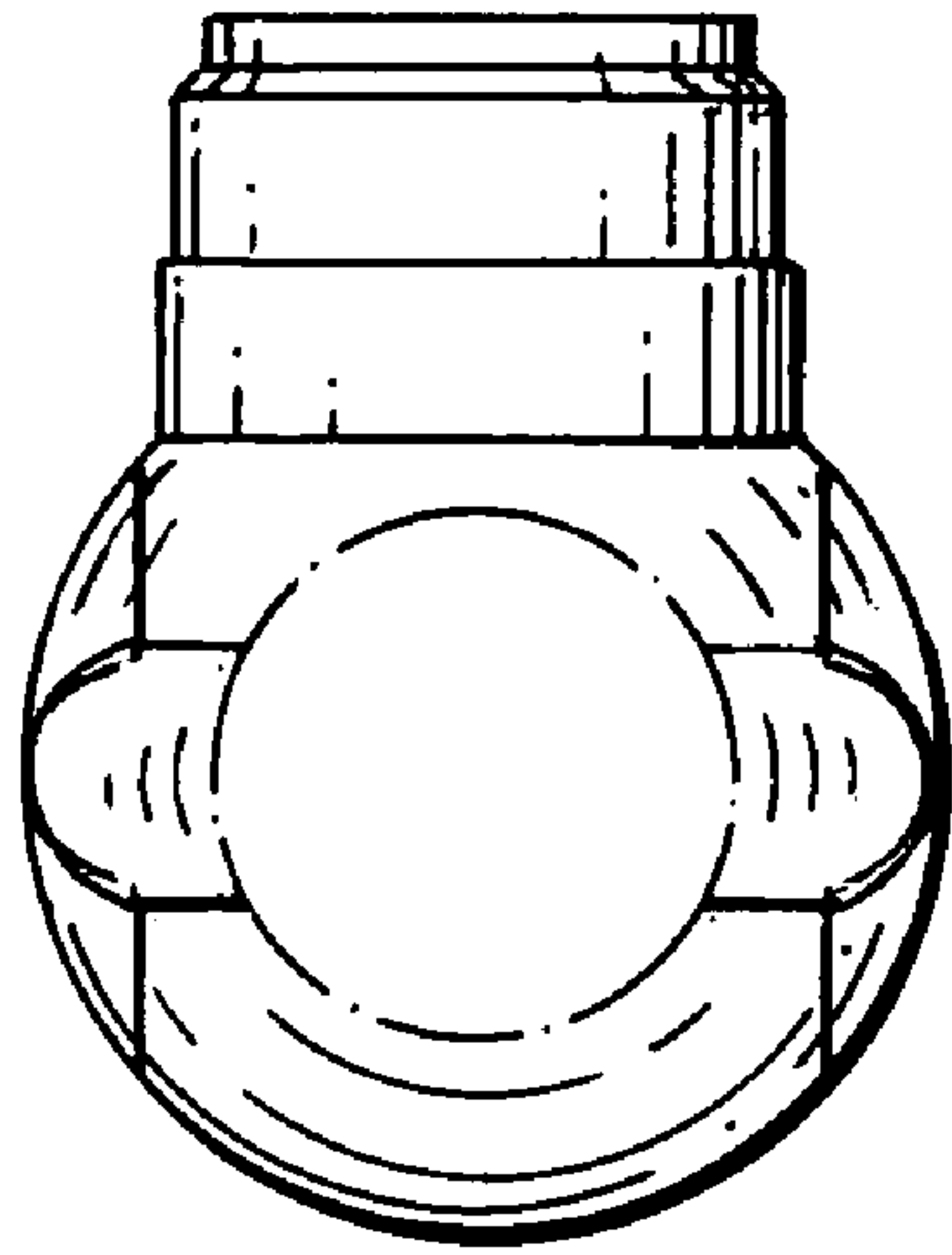


FIG. 5

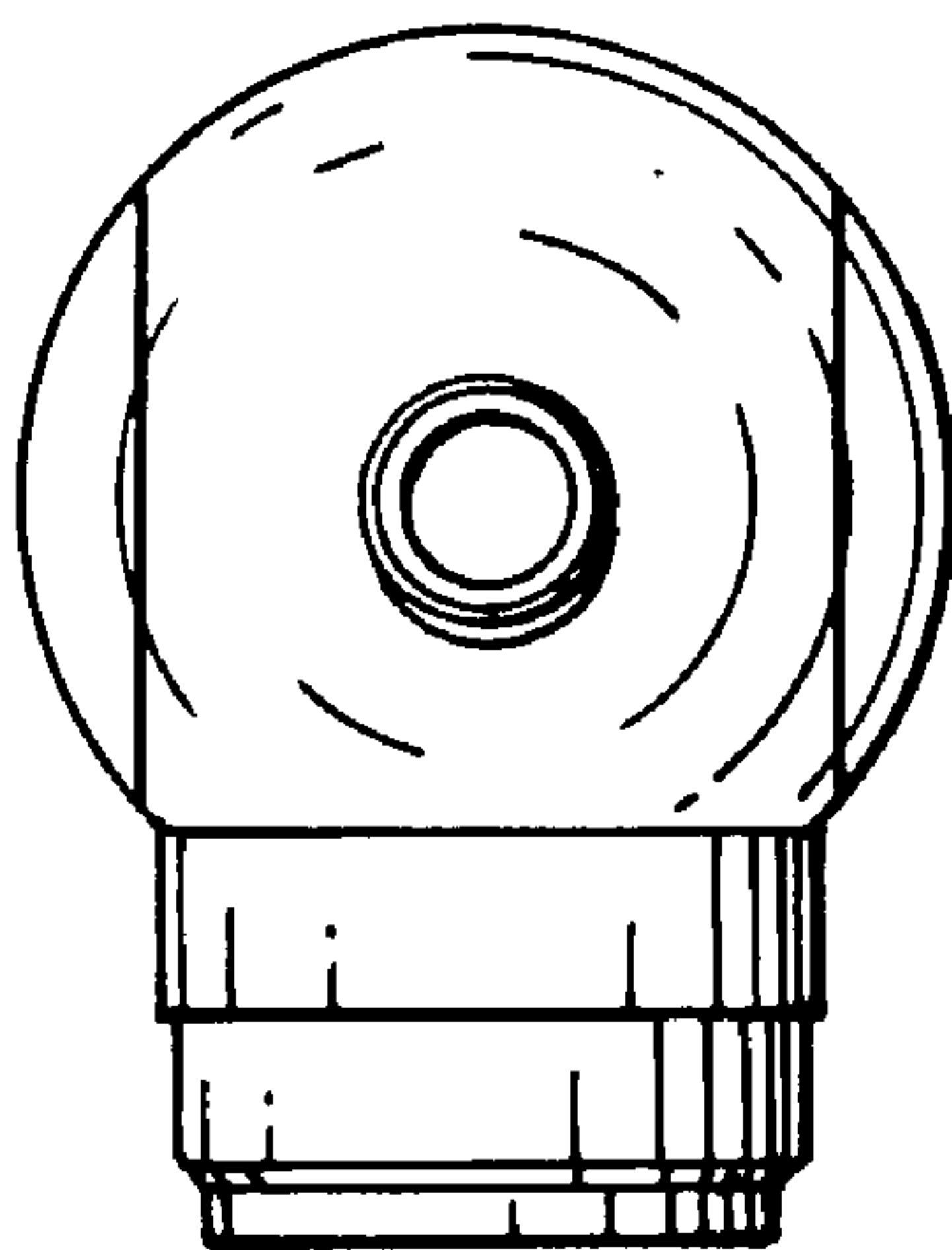


FIG. 6

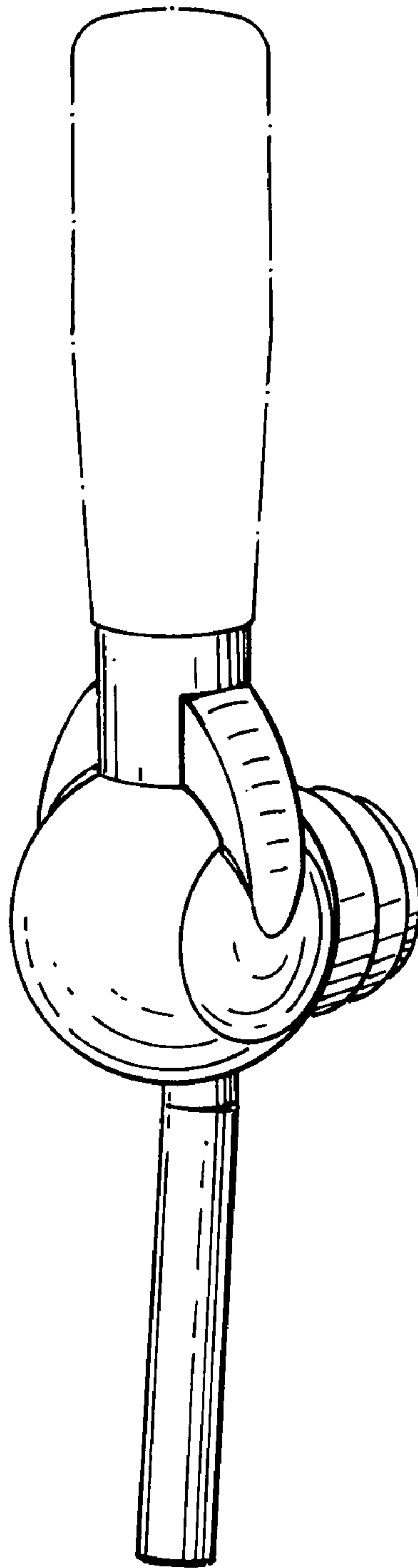


FIG. 7