



US00D555973S

(12) **United States Design Patent**
Rae

(10) **Patent No.:** **US D555,973 S**

(45) **Date of Patent:** **** Nov. 27, 2007**

- (54) **ELONGATED COOKWARE SIDE HANDLE**
 - (75) Inventor: **Robert A. Rae**, Danville, CA (US)
 - (73) Assignee: **Meyer Intellectual Properties Limited**
(VG)
 - (**) Term: **14 Years**
 - (21) Appl. No.: **29/257,254**
 - (22) Filed: **Mar. 31, 2006**
 - (51) **LOC (8) Cl.** **07-02**
 - (52) **U.S. Cl.** **D7/395**
 - (58) **Field of Classification Search** D7/354-357,
D7/359-361, 393, 395; D8/107, 307, 300;
16/430, 431, 110.1, 407; 220/573.1-573.5,
220/752, 753, 755-757, 759
- See application file for complete search history.

D444,347 S	7/2001	LoGiudice	
D446,079 S	8/2001	Rae	
D447,383 S	9/2001	Rae	
D450,217 S	11/2001	Rae	
D458,801 S	6/2002	Coudurier	
6,419,107 B1	7/2002	Cheng	
D468,683 S	1/2003	Maurer	
D477,967 S	8/2003	Burton et al.	
D482,562 S	11/2003	Demers	
D482,567 S	11/2003	Demers	
D482,568 S *	11/2003	Demers et al. D7/395
D485,120 S	1/2004	Kight	
D494,007 S	8/2004	Rae	
D501,357 S	2/2005	Rae	
D501,358 S *	2/2005	LoGiudice et al. D7/395
D514,379 S *	2/2006	Kerr et al. D7/395
D518,331 S	4/2006	Rae	
2005/0145637 A1 *	7/2005	Lin 220/759

(56) **References Cited**

U.S. PATENT DOCUMENTS

200,033 A	2/1878	Edger et al.
217,938 A	7/1879	Graves
225,927 A	3/1880	Green
512,848 A	1/1894	Waligorski
979,847 A	12/1910	Hammond
1,625,731 A	4/1927	Lee
2,077,273 A	4/1937	Serio
D140,046 S	1/1945	Behl
D143,028 S	11/1945	Reynolds
2,478,784 A	8/1949	Serio
4,042,238 A	8/1977	Theriault
4,413,767 A	11/1983	Hellinger
D277,254 S	1/1985	Matsuhisa
D287,216 S	12/1986	Usbeck
D291,222 S	8/1987	Kiraly
D306,679 S	3/1990	Schultz
4,926,521 A	5/1990	Gagnepain
D366,184 S	1/1996	Koch
5,702,313 A	12/1997	Stemmett
D392,151 S	3/1998	Munari
D407,600 S	4/1999	LoGiudice
D417,121 S	11/1999	Brunianyn
6,032,822 A	3/2000	Munari
D429,950 S	8/2000	Yu et al.
D440,463 S	4/2001	Groll
D442,025 S	5/2001	Rae

* cited by examiner

Primary Examiner—Holly H. Baynham
Assistant Examiner—Cynthia M. Chin
(74) *Attorney, Agent, or Firm*—Edward S. Sherman

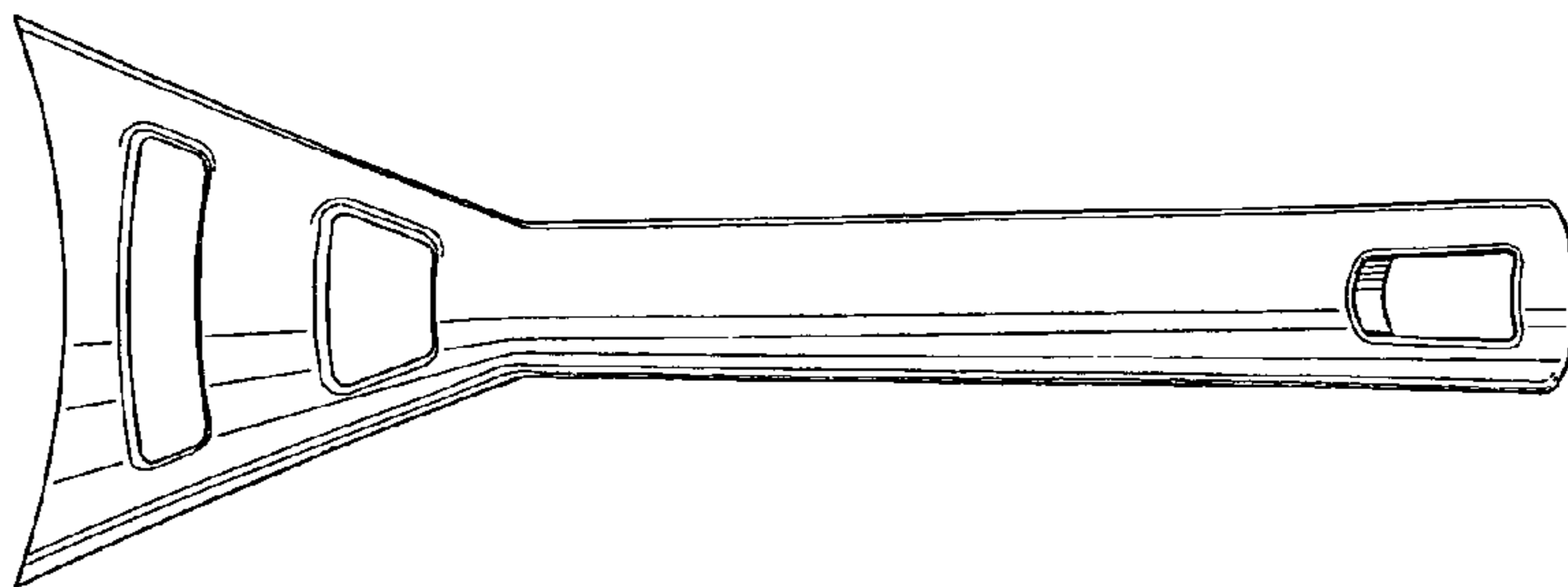
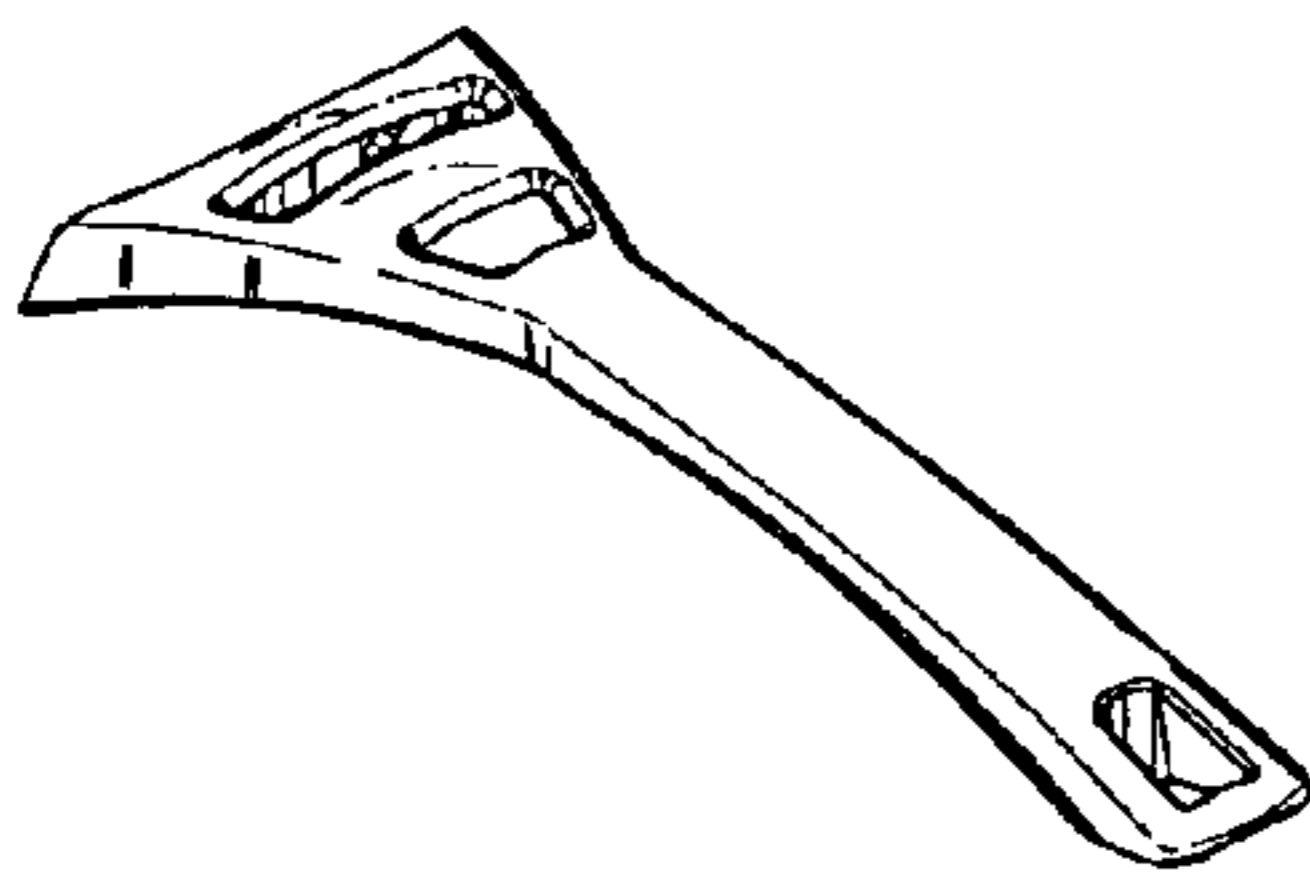
(57) **CLAIM**

The ornamental design for an elongated cookware side handle, as shown and described.

DESCRIPTION

FIG. 1 is a reduced perspective view of the elongated cookware side handle, showing my new design;
FIG. 2 is a top plan view thereof;
FIG. 3 is a front elevation thereof;
FIG. 4 is a right side elevational view thereof;
FIG. 5 is a bottom plan view thereof;
FIG. 6 is a back elevation view thereof; and,
FIG. 7 is an alternative perspective view thereof wherein the broken lines are for illustrative purposes only, depicting the environment of the new design, forming no part thereof as claimed.

1 Claim, 2 Drawing Sheets



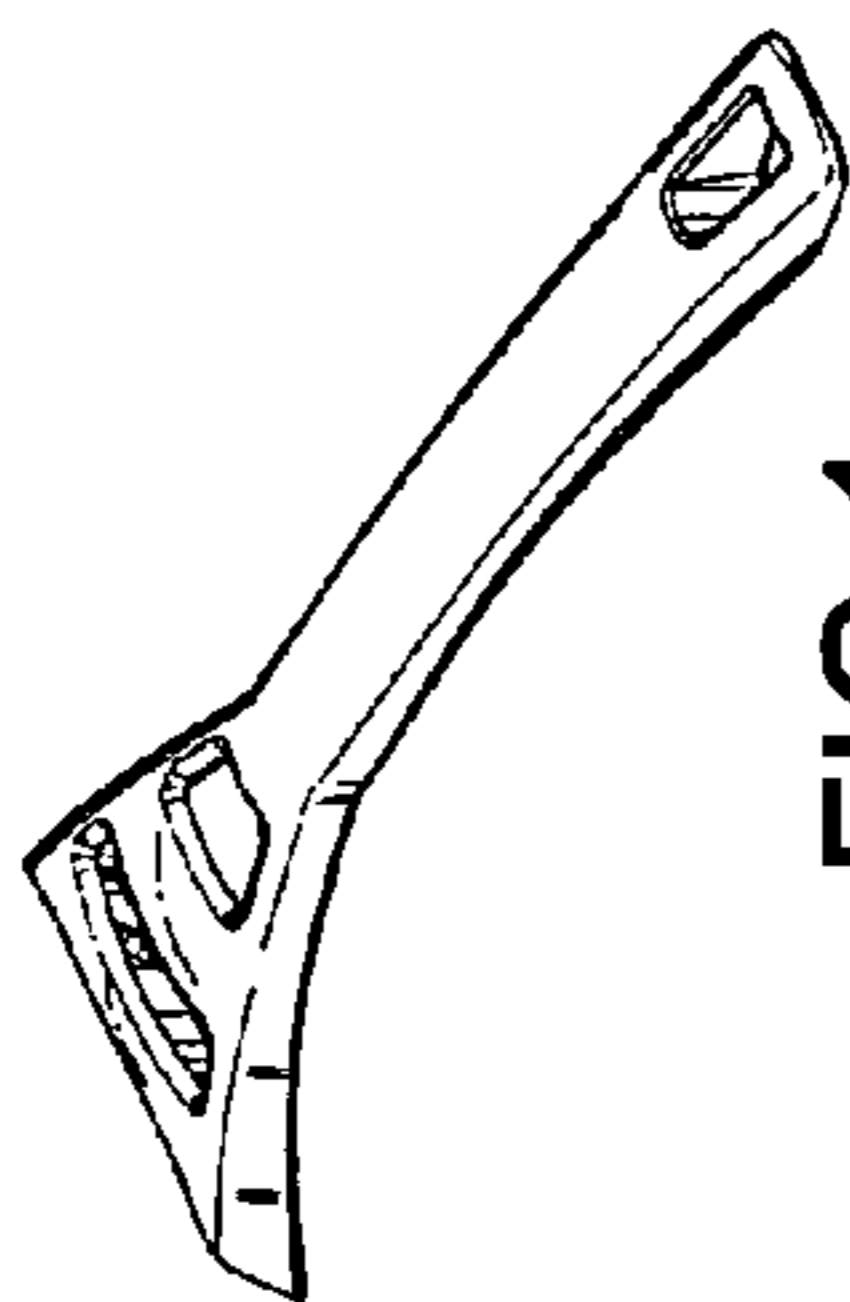


FIG. 1

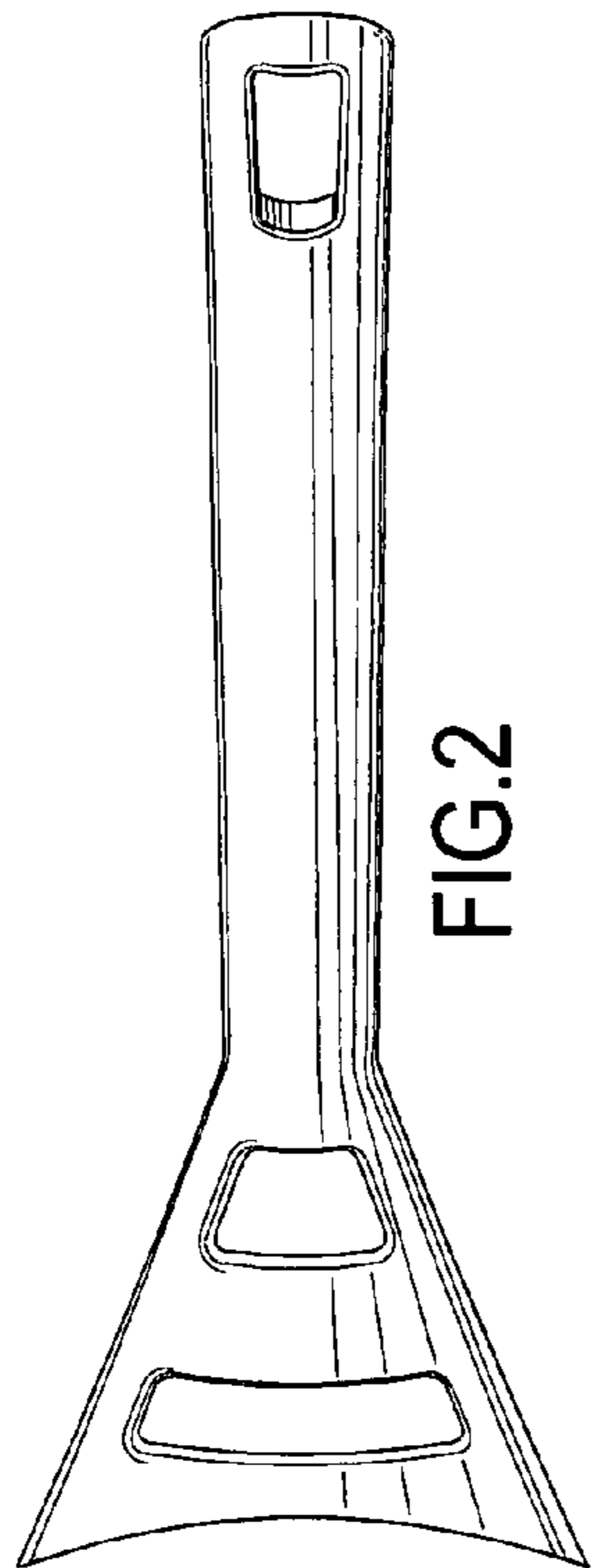


FIG. 2

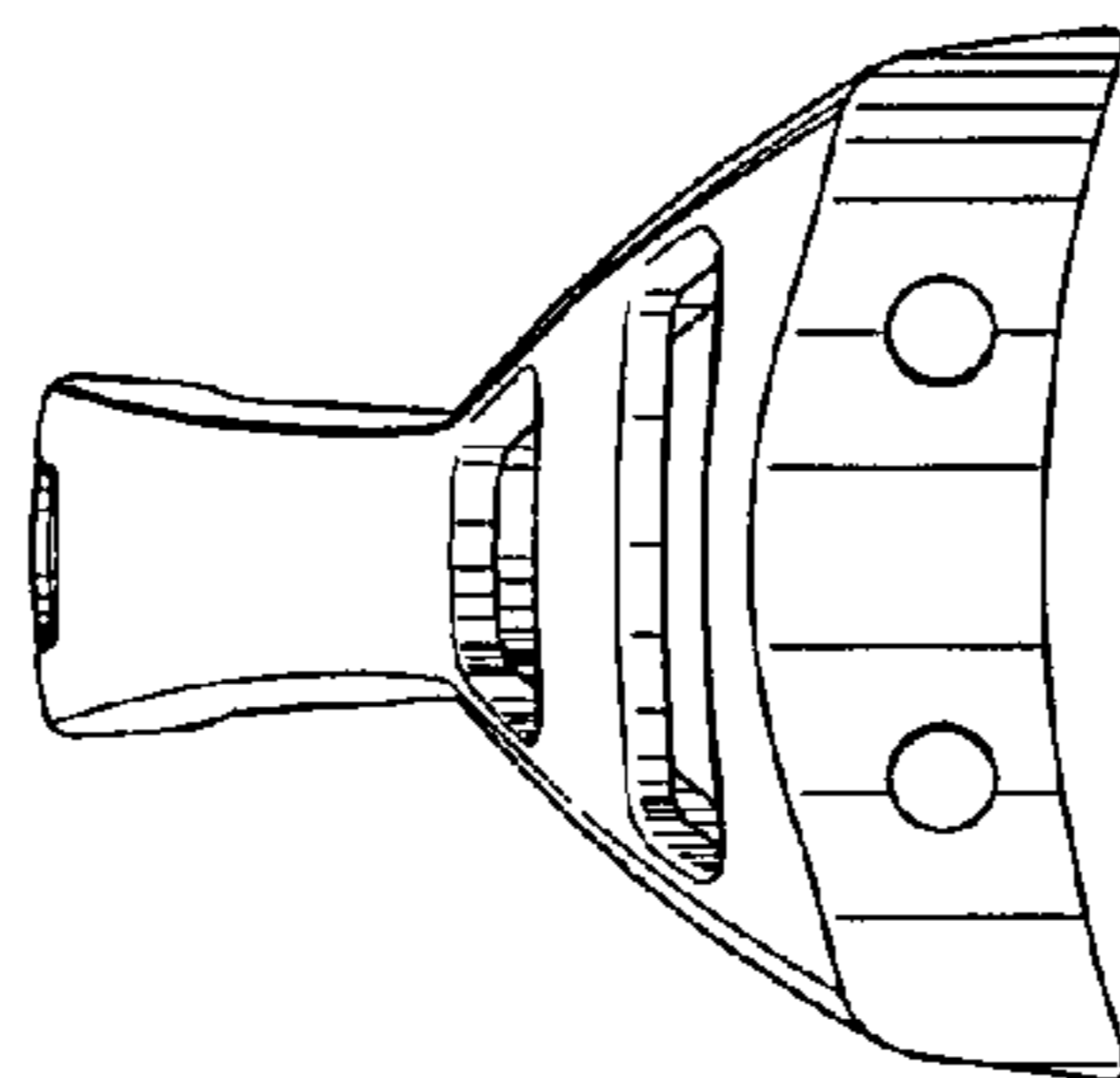


FIG. 3

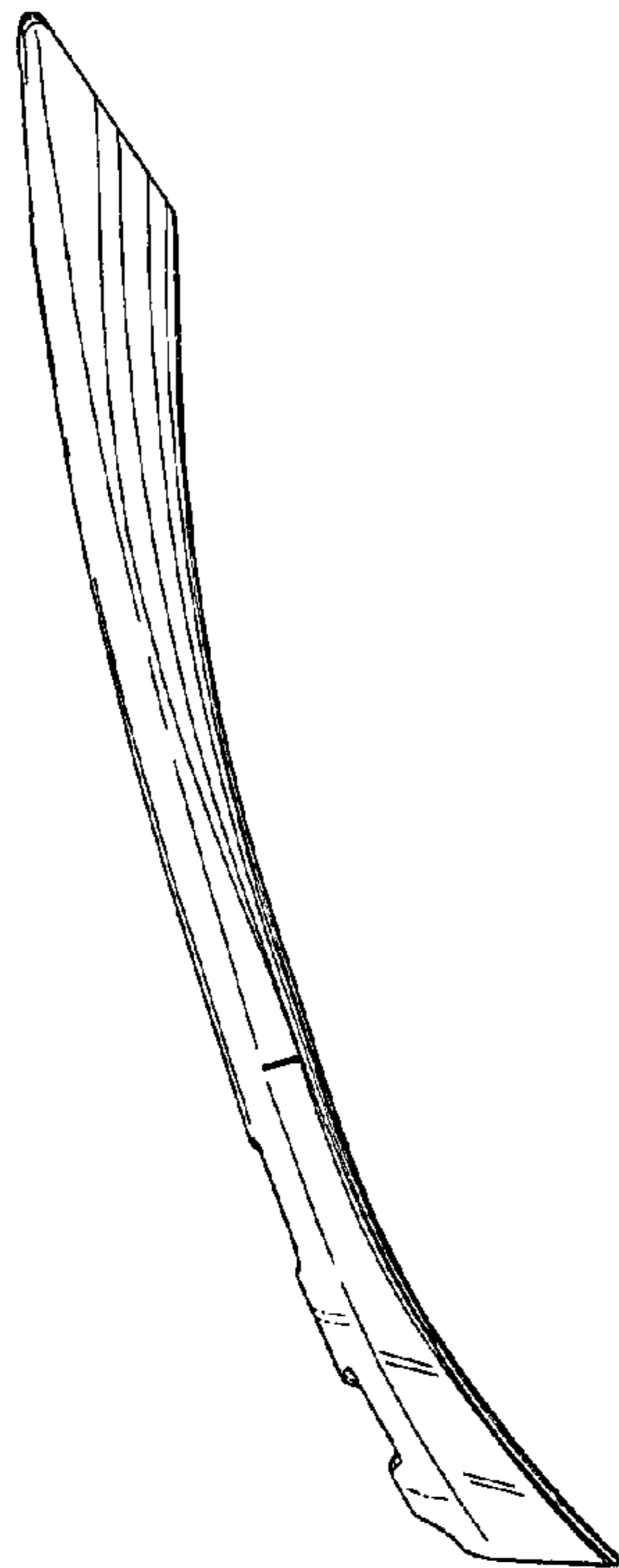


FIG. 4

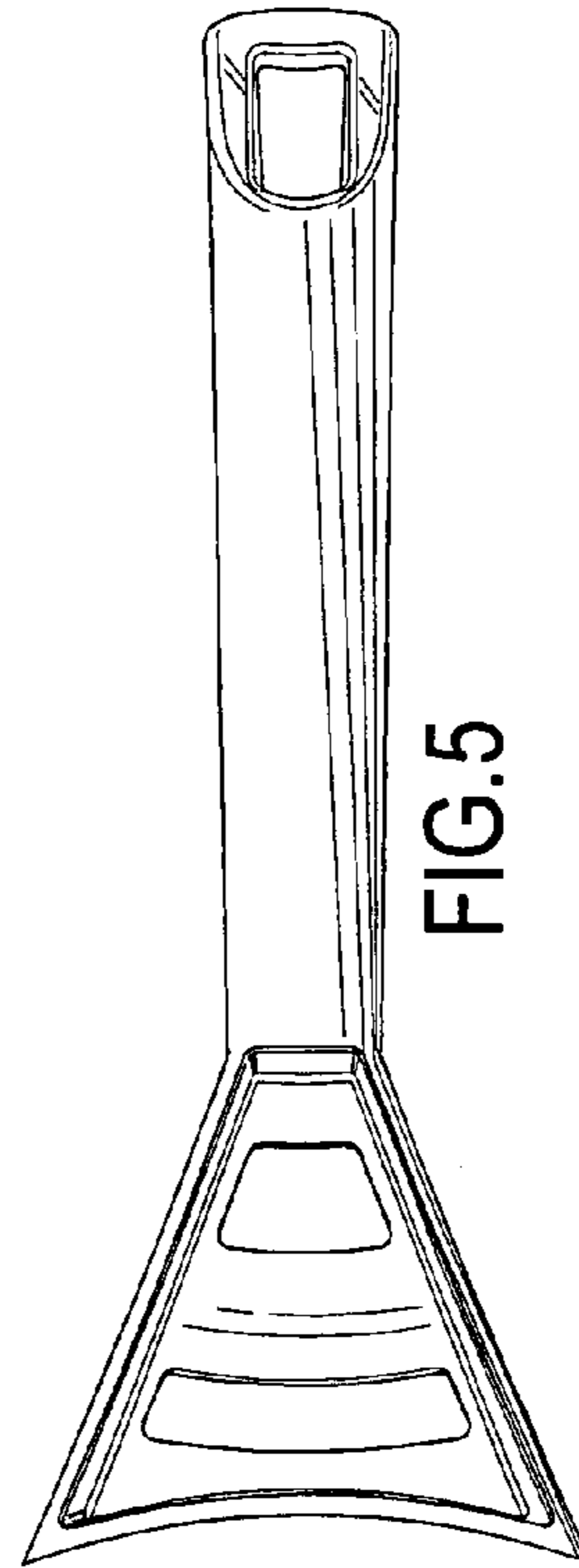


FIG. 5

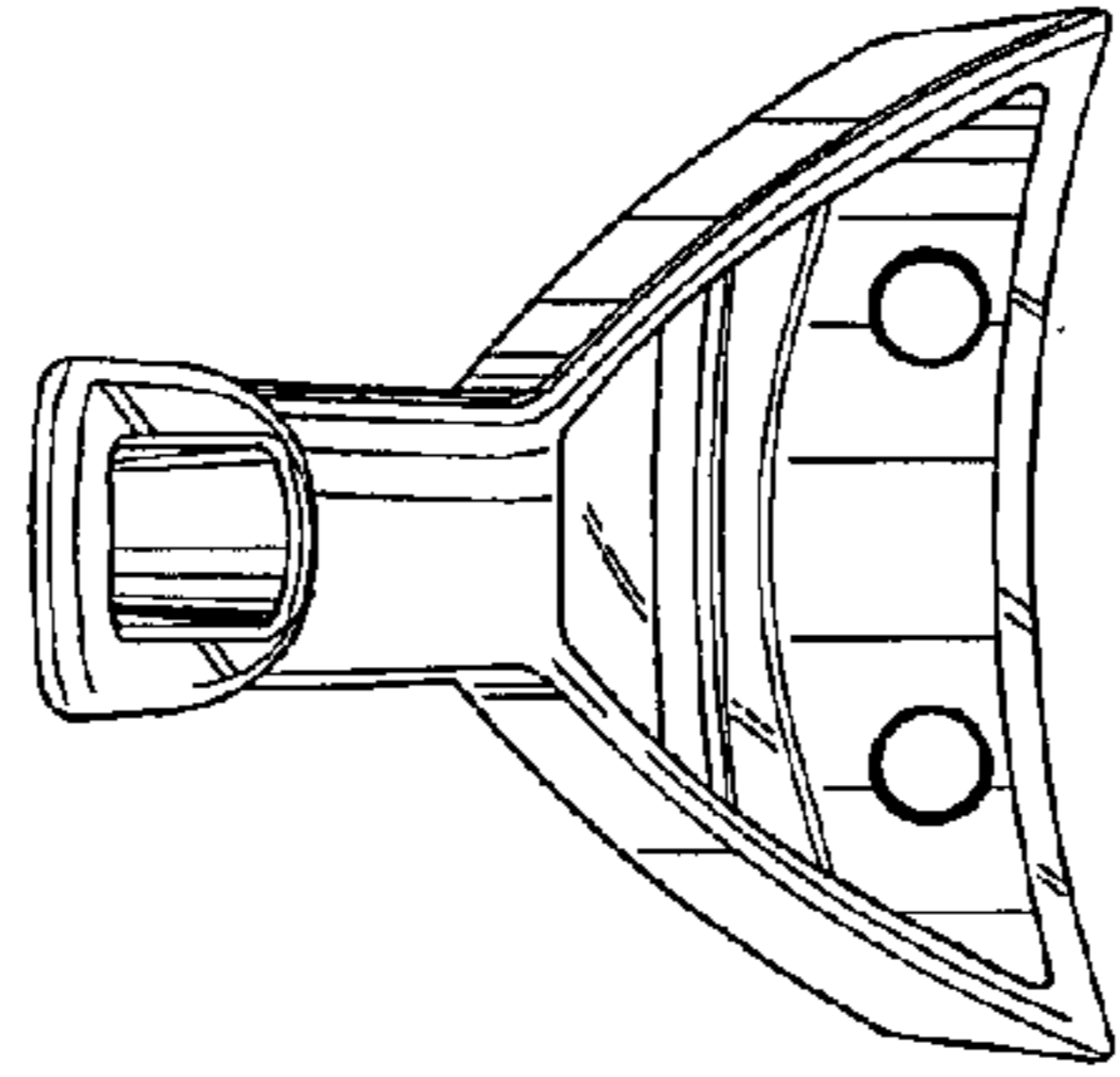


FIG. 6

