



US00D555967S

(12) **United States Design Patent** (10) **Patent No.:** **US D555,967 S**
Rasmussen (45) **Date of Patent:** **** Nov. 27, 2007**

(54) **DRAUGHT SYSTEM**

(75) Inventor: **Jan Nörager Rasmussen**, Olstykke (DK)

(73) Assignee: **Carlsberg Breweries A/S**, Copenhagen (DK)

(**) Term: **14 Years**

(21) Appl. No.: **29/253,783**

(22) Filed: **Feb. 13, 2006**

(30) **Foreign Application Priority Data**

Aug. 12, 2005 (DK) PA 2005 01148

(51) **LOC (8) Cl.** **07-01**

(52) **U.S. Cl.** **D7/306; D7/311**

(58) **Field of Classification Search** D7/306-308, D7/311, 309; 222/129.1, 129.2, 129.3, 129.4, 222/146.6; 62/394, 342; D15/80; 131/1, 131/129

See application file for complete search history.

(56) **References Cited**

U.S. PATENT DOCUMENTS

5,878,915 A 3/1999 Gordon et al.
D419,362 S * 1/2000 Bouhuys D7/306
D443,792 S * 6/2001 Peters et al. D7/306
6,253,808 B1 7/2001 Amberg et al.
D522,793 S * 6/2006 Weaden D7/309
D525,070 S * 7/2006 Moreno D7/309
D544,744 S * 6/2007 Colman et al. D7/301

FOREIGN PATENT DOCUMENTS

EP 0377195 A1 7/1990

EP 0389191 A1 9/1990
EP 0579051 A2 1/1994
EP 1213258 A2 6/2002
GB 2146705 A 4/1985
GB 2152019 A 7/1985
NL 1019526 10/2001
WO WO 92/12926 8/1992
WO WO 93/11059 6/1993
WO WO 99/11563 3/1999

* cited by examiner

Primary Examiner—M. N. Pandozzi

(74) *Attorney, Agent, or Firm*—Fitch, Even, Tabin & Flannery

(57) **CLAIM**

I claim the ornamental design for the draught system, as shown and described.

DESCRIPTION

FIG. 1 is a perspective view of a draught system showing my new design;

FIG. 2 is a front view thereof;

FIG. 3 is a right side view thereof;

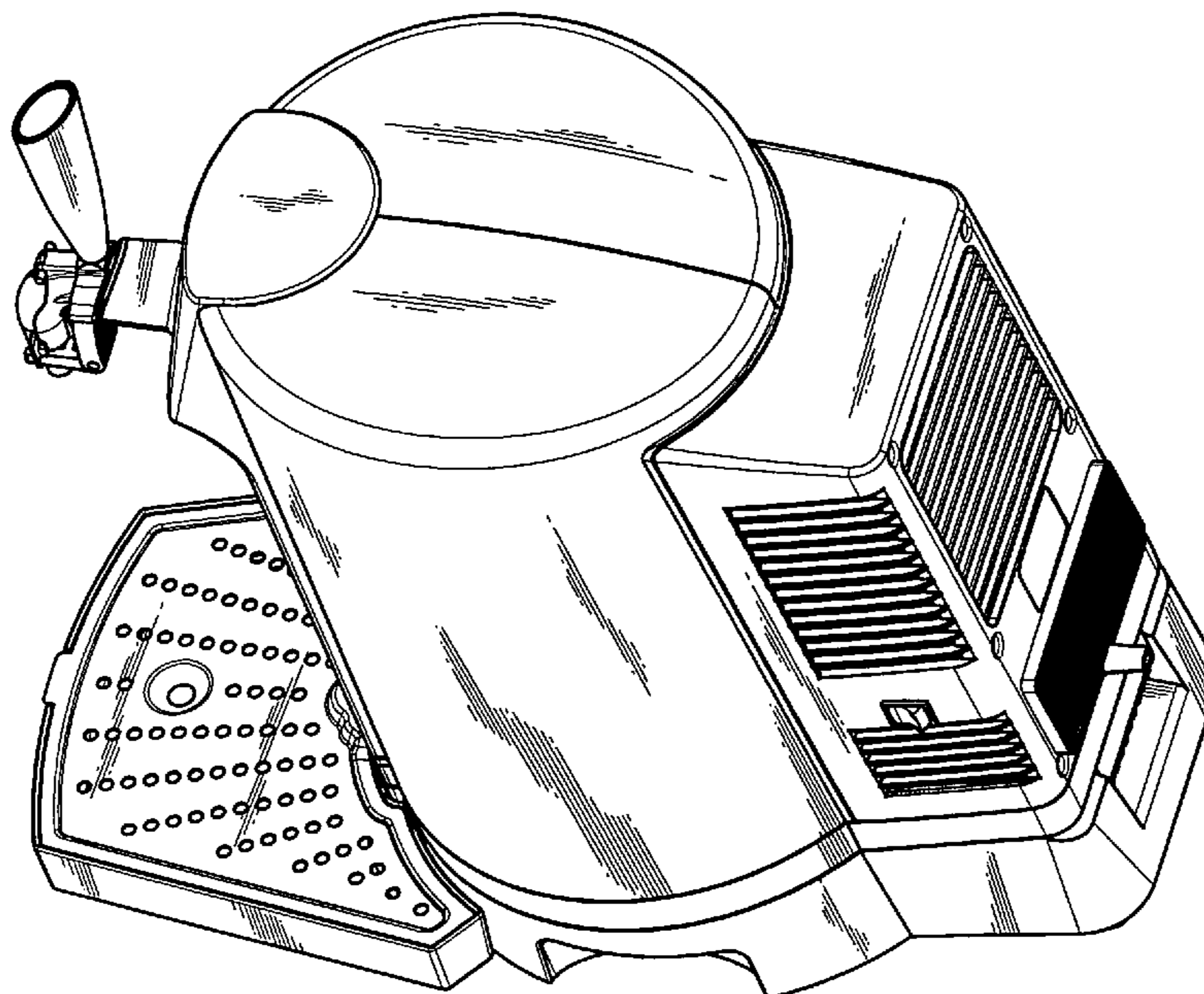
FIG. 4 is a bottom plan view thereof;

FIG. 5 is a top plan view thereof;

FIG. 6 is a rear view thereof; and,

FIG. 7 is a left side view thereof.

1 Claim, 3 Drawing Sheets



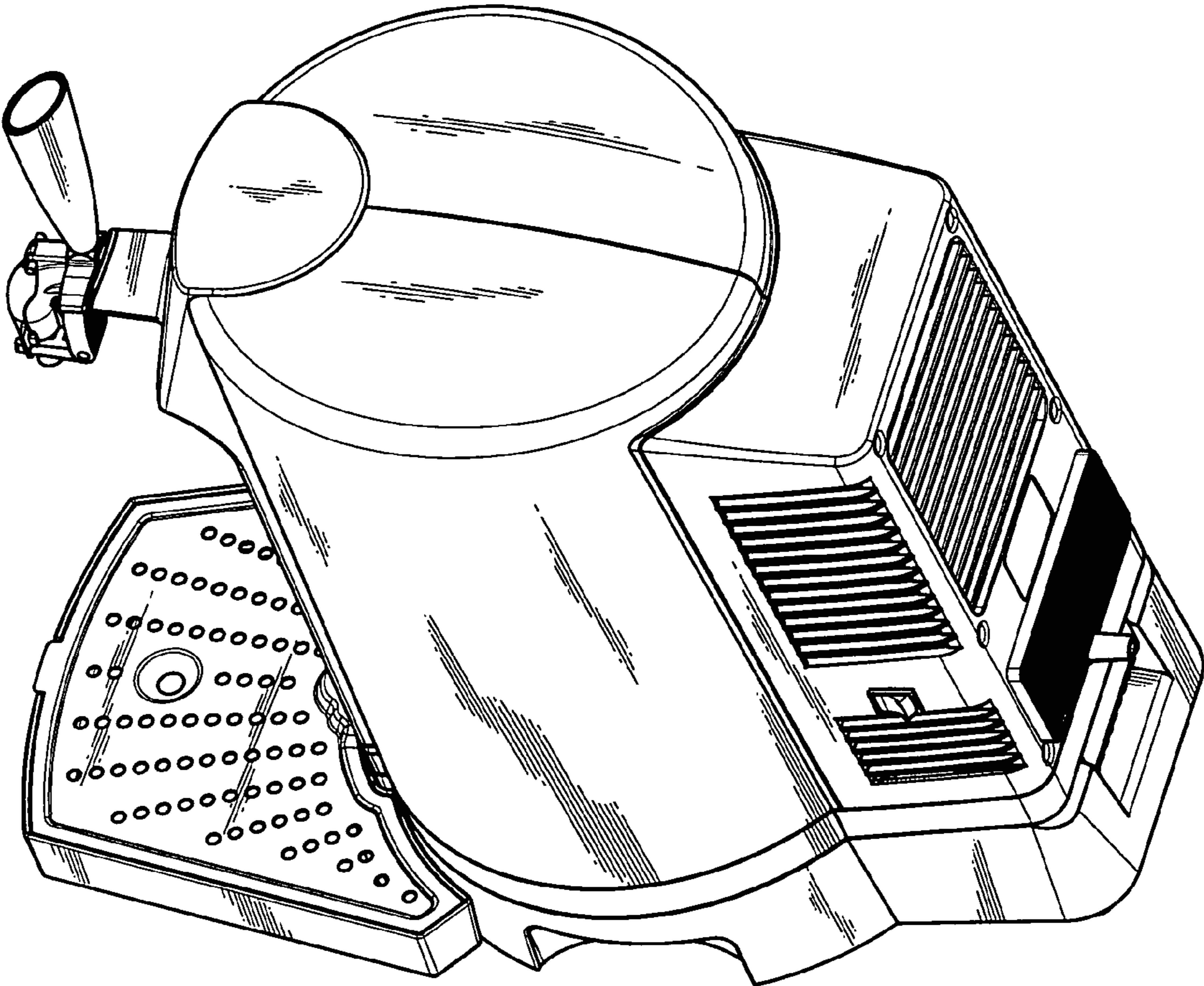


Fig. 1

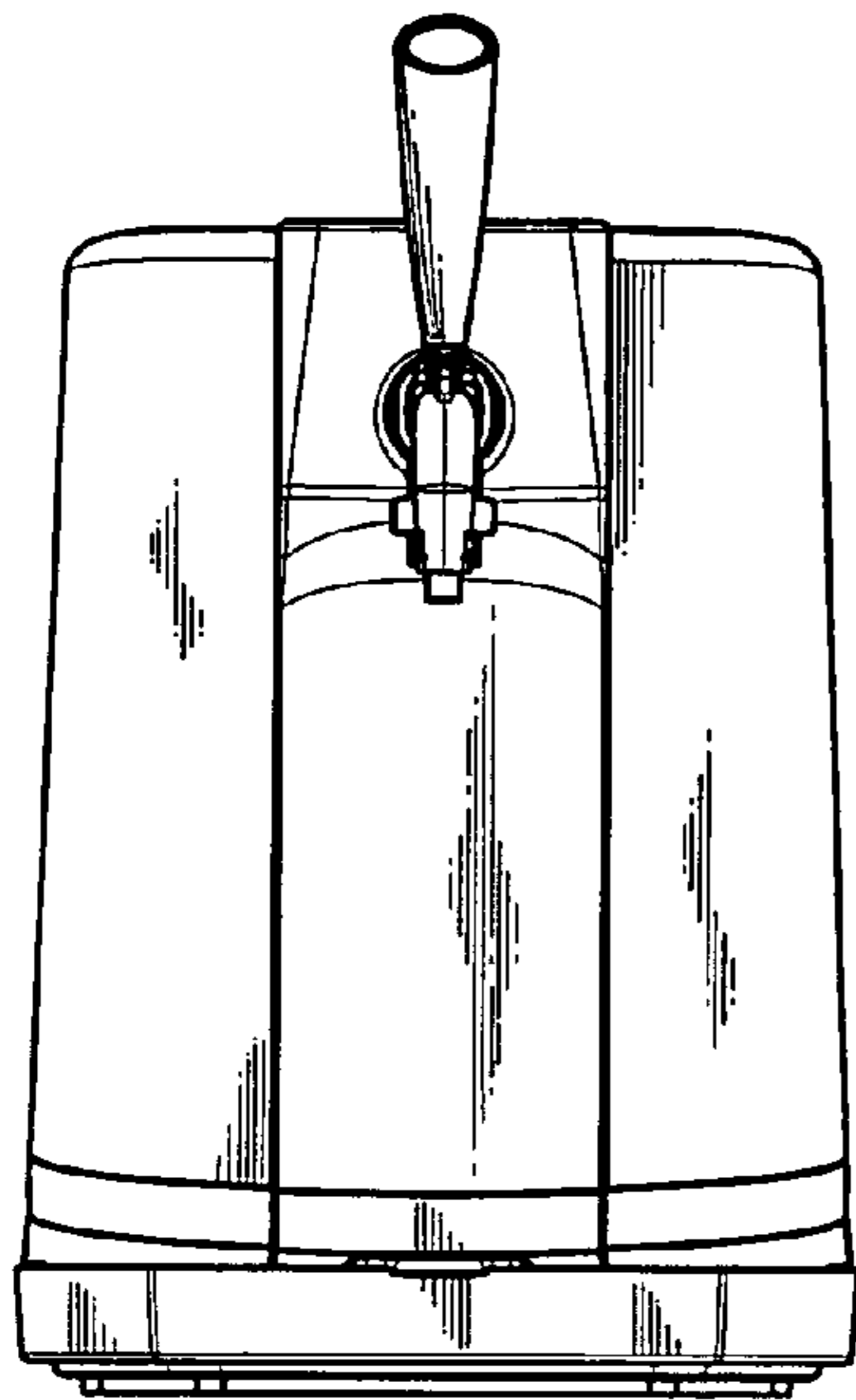


Fig. 2

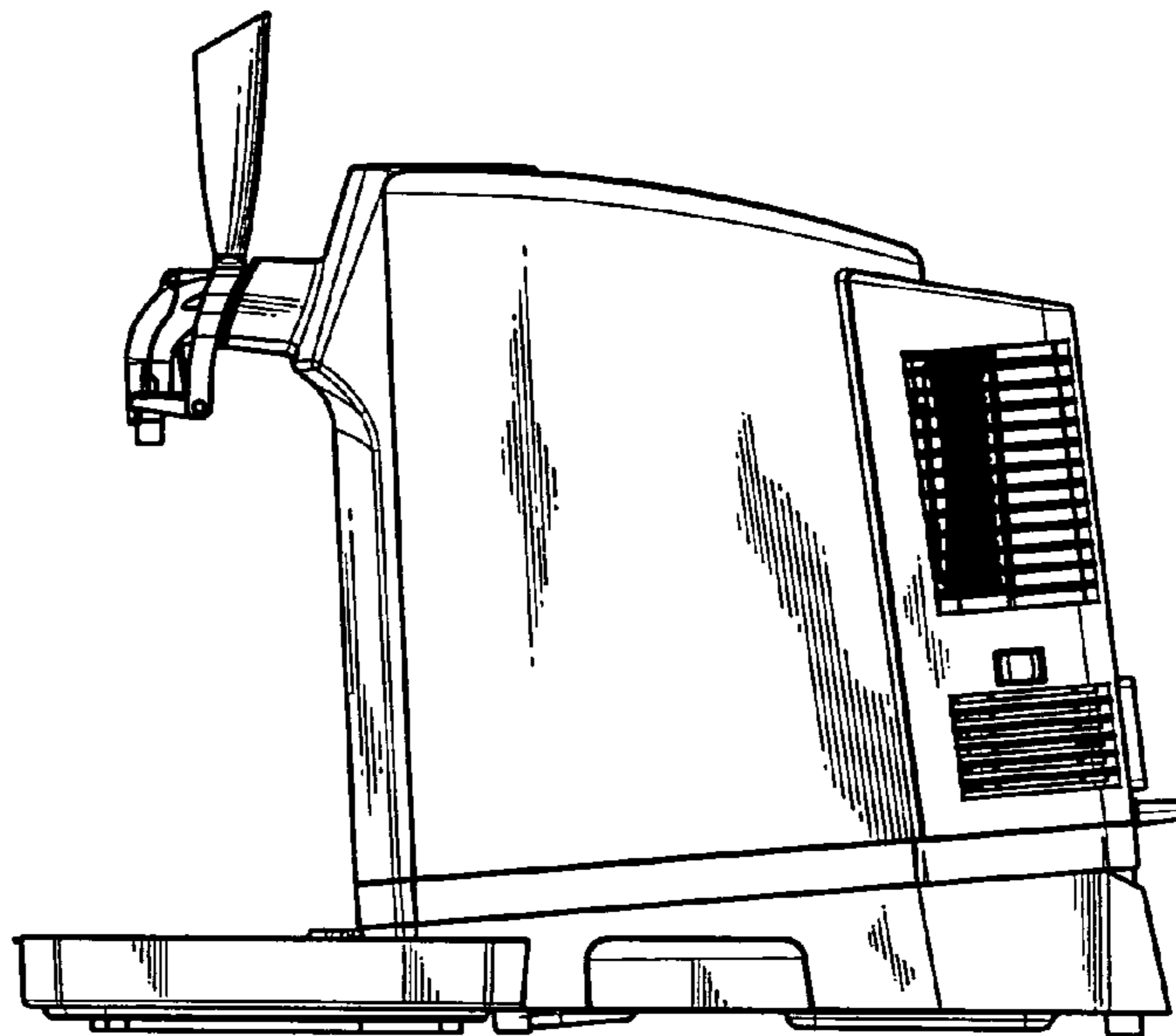


Fig. 3

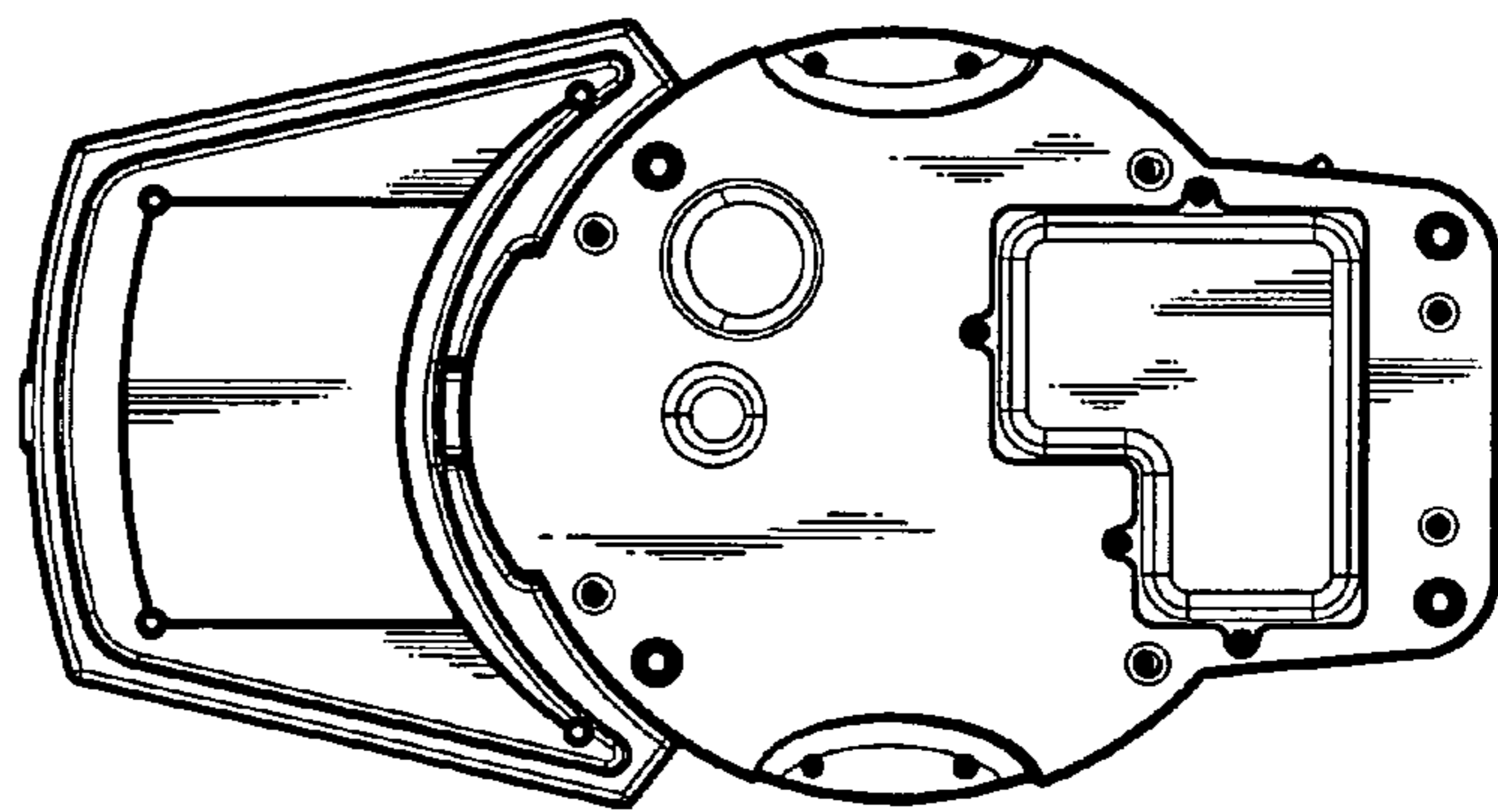


Fig. 4

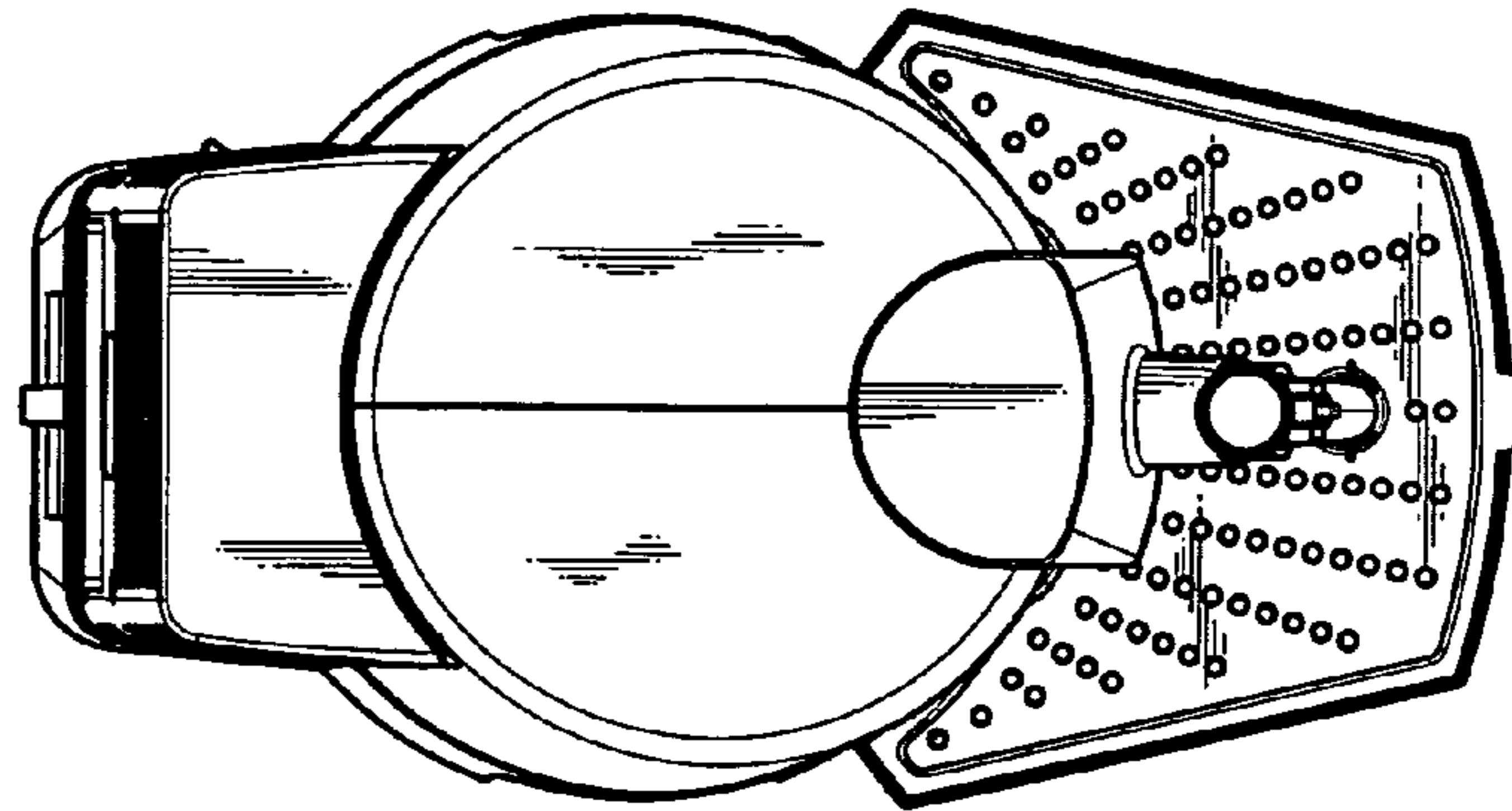


Fig. 5

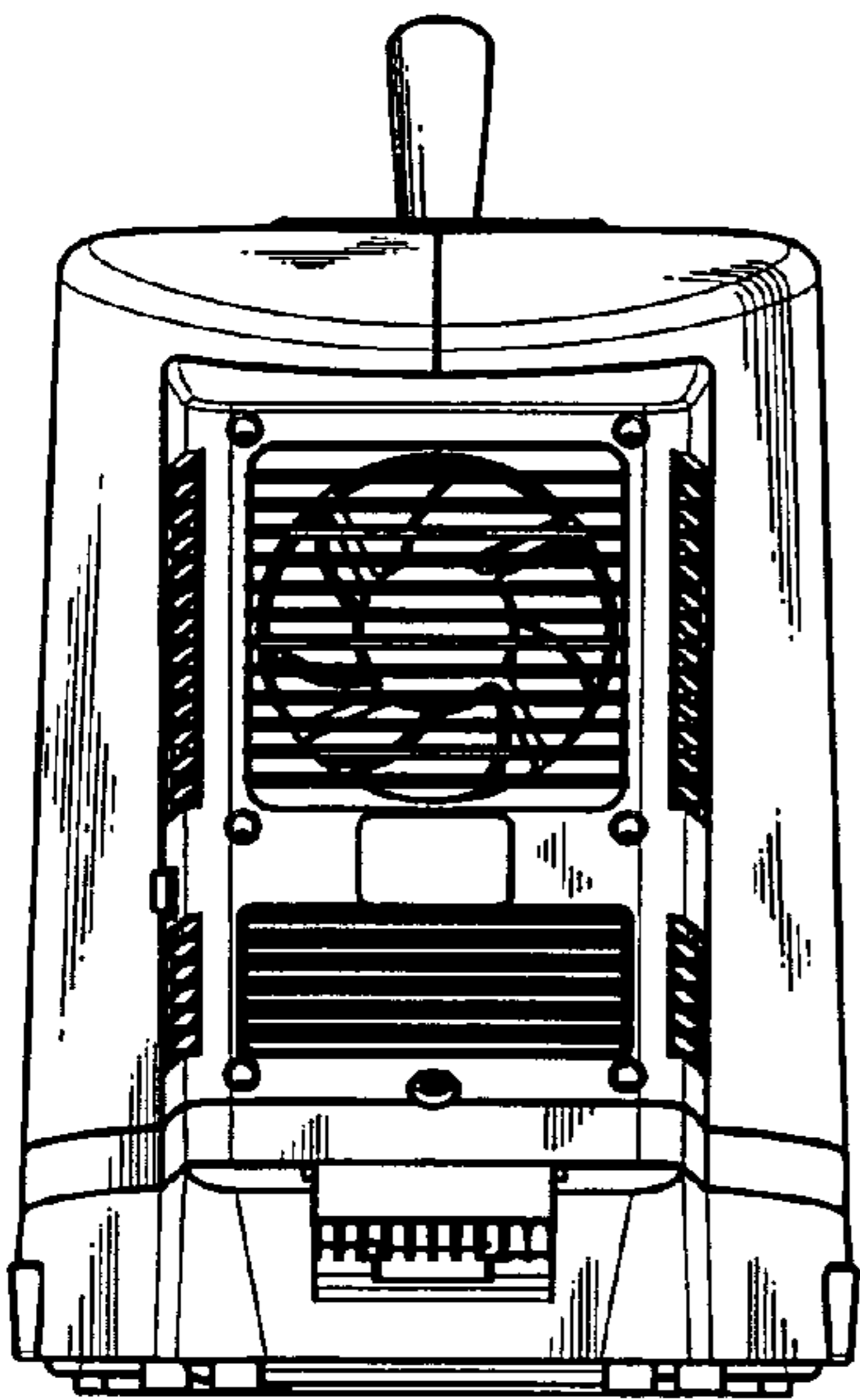


Fig. 6

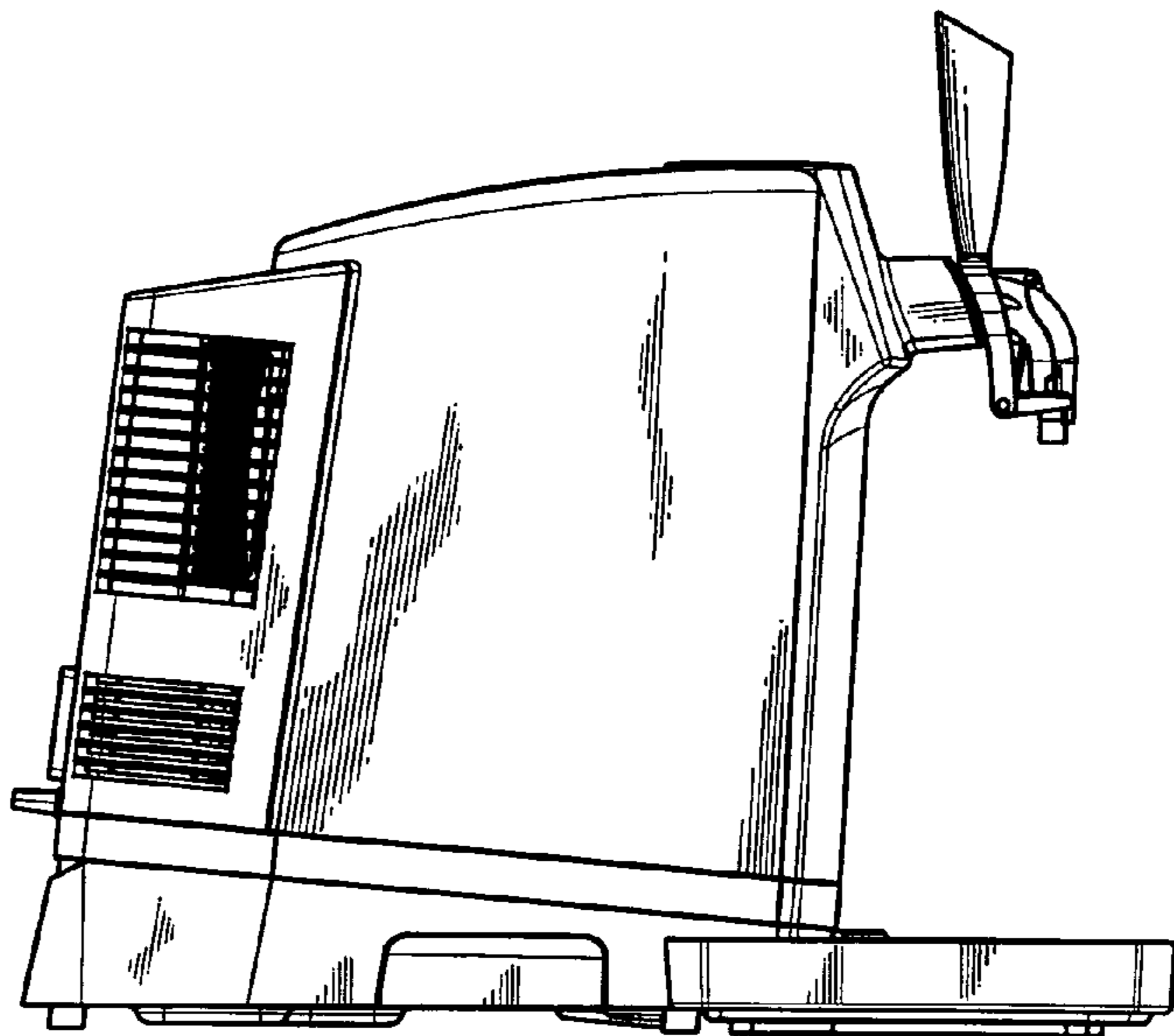


Fig. 7