



US00D555964S

(12) **United States Design Patent** (10) **Patent No.:** **US D555,964 S**
Boswell et al. (45) **Date of Patent:** **** Nov. 27, 2007**

(54) **DOLL HOLDER**

(75) Inventors: **Megan Alexandria Campion Boswell**,
Middleton, WI (US); **Kimberly Sue**
Sphar, Madison, WI (US)

(73) Assignee: **American Girl, LLC**, El Segundo, CA
(US)

(**) Term: **14 Years**

(21) Appl. No.: **29/260,456**

(22) Filed: **May 25, 2006**

(51) **LOC (8) Cl.** **06-04**

(52) **U.S. Cl.** **D6/572**

(58) **Field of Classification Search** D6/323,
D6/327, 553, 567, 569, 572; D8/349, 354,
D8/367, 372; 211/13.1, 85.3, 85.6, 85.7,
211/30, 64, 87.01; 248/304, 309.1

See application file for complete search history.

(56) **References Cited**

U.S. PATENT DOCUMENTS

D303,744 S * 10/1989 Turner et al. D6/572
D316,000 S * 4/1991 Logan et al. D6/572
D317,858 S * 7/1991 Hoskinson et al. D8/372
D327,213 S * 6/1992 Murphy D8/367
D418,740 S * 1/2000 Weston D8/372
D424,413 S * 5/2000 Laga et al. D8/372

D437,208 S * 2/2001 Snell D8/372
D472,134 S * 3/2003 Goodman et al. D8/372
D481,928 S * 11/2003 Goodman et al. D8/372
D497,306 S * 10/2004 Anderson et al. D8/372

* cited by examiner

Primary Examiner—Brian N Vinson

(74) *Attorney, Agent, or Firm*—Michael Best & Friedrich
LLP

(57) **CLAIM**

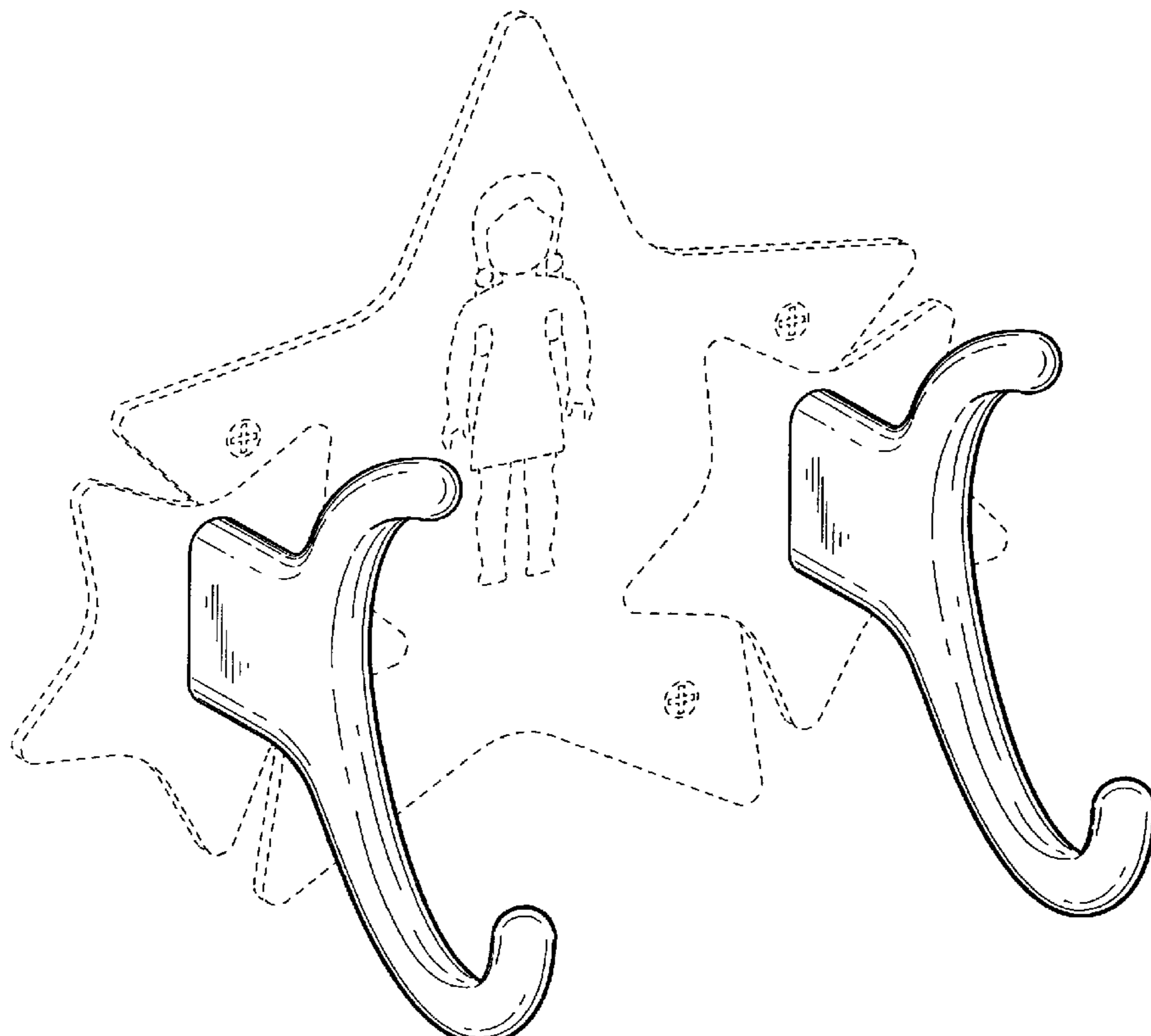
The ornamental design for a doll holder, as shown and
described.

DESCRIPTION

FIG. 1 is a front perspective view of a doll holder;
FIG. 2 is a front view of the doll holder shown in FIG. 1;
FIG. 3 is a rear view of the doll holder shown in FIG. 1;
FIG. 4 is a side view of the doll holder shown in FIG. 1;
FIG. 5 is a side view of the doll holder shown in FIG. 1;
FIG. 6 is a top view of the doll holder shown in FIG. 1; and,
FIG. 7 is a bottom view of the doll holder shown in FIG. 1.

The present application is directed to the shape and contour
of the design illustrated in the drawings. The broken line
showing of the environment is for illustrative purposes only
and forms no part of the claimed design.

1 Claim, 6 Drawing Sheets



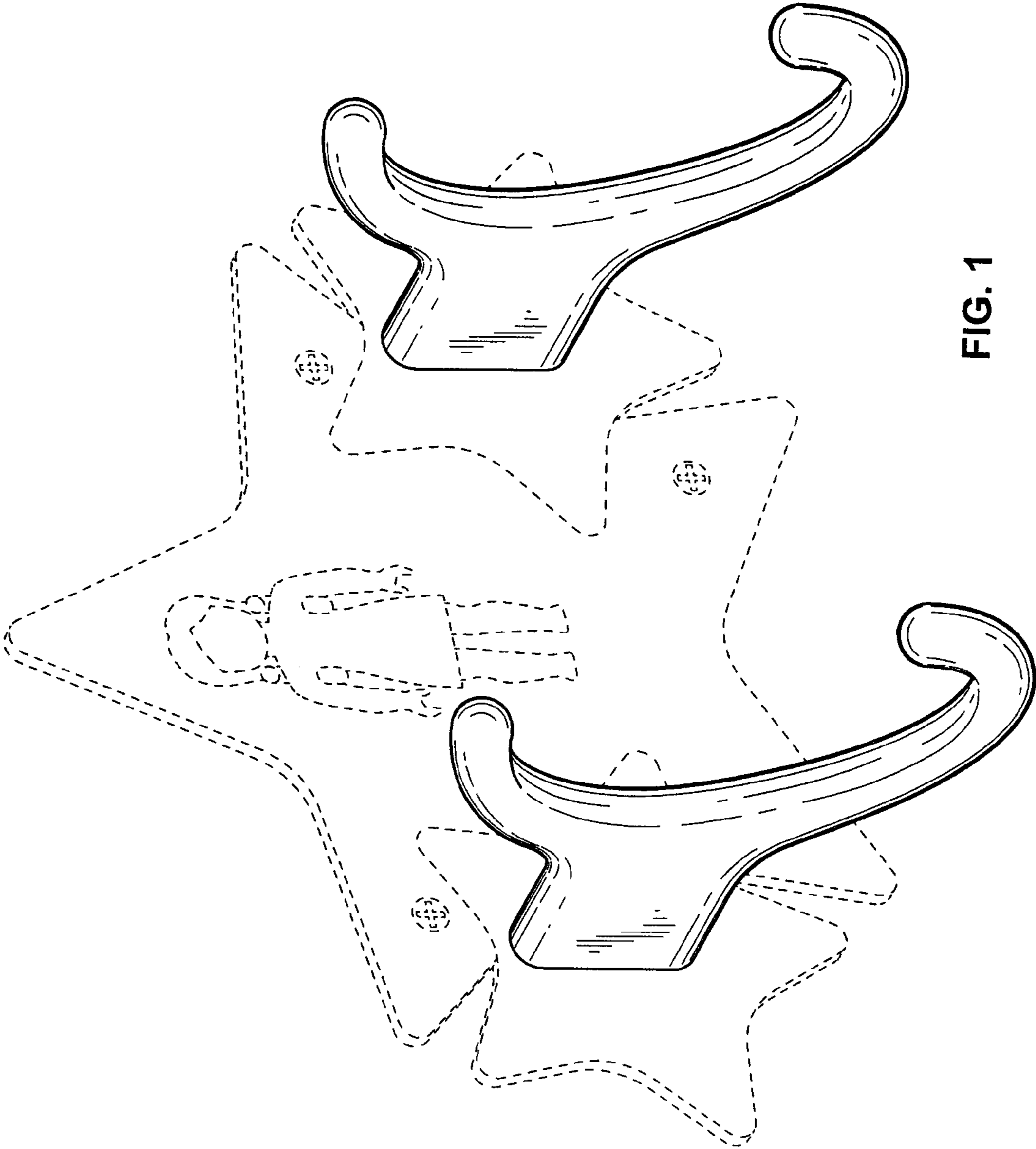


FIG. 1

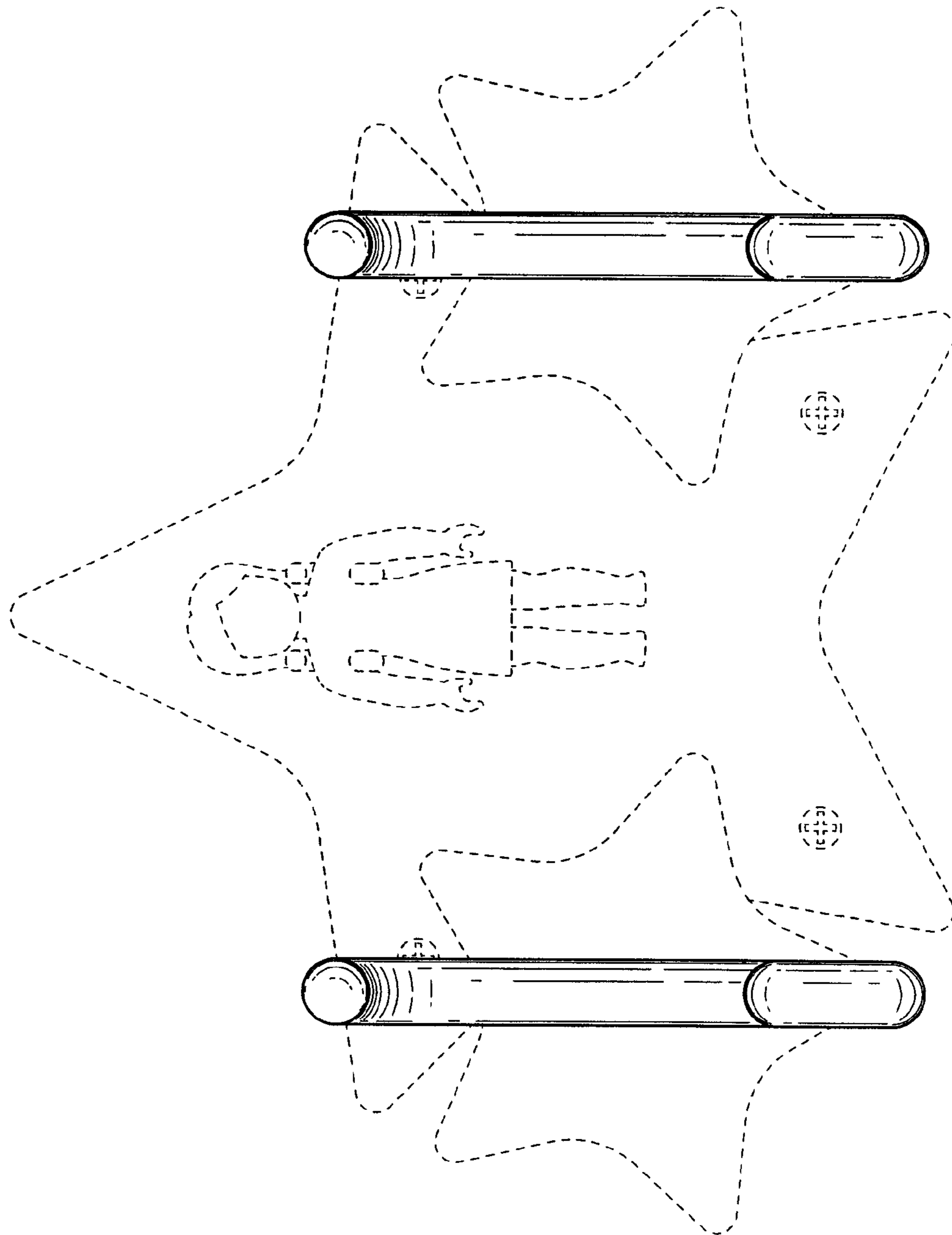


FIG. 2

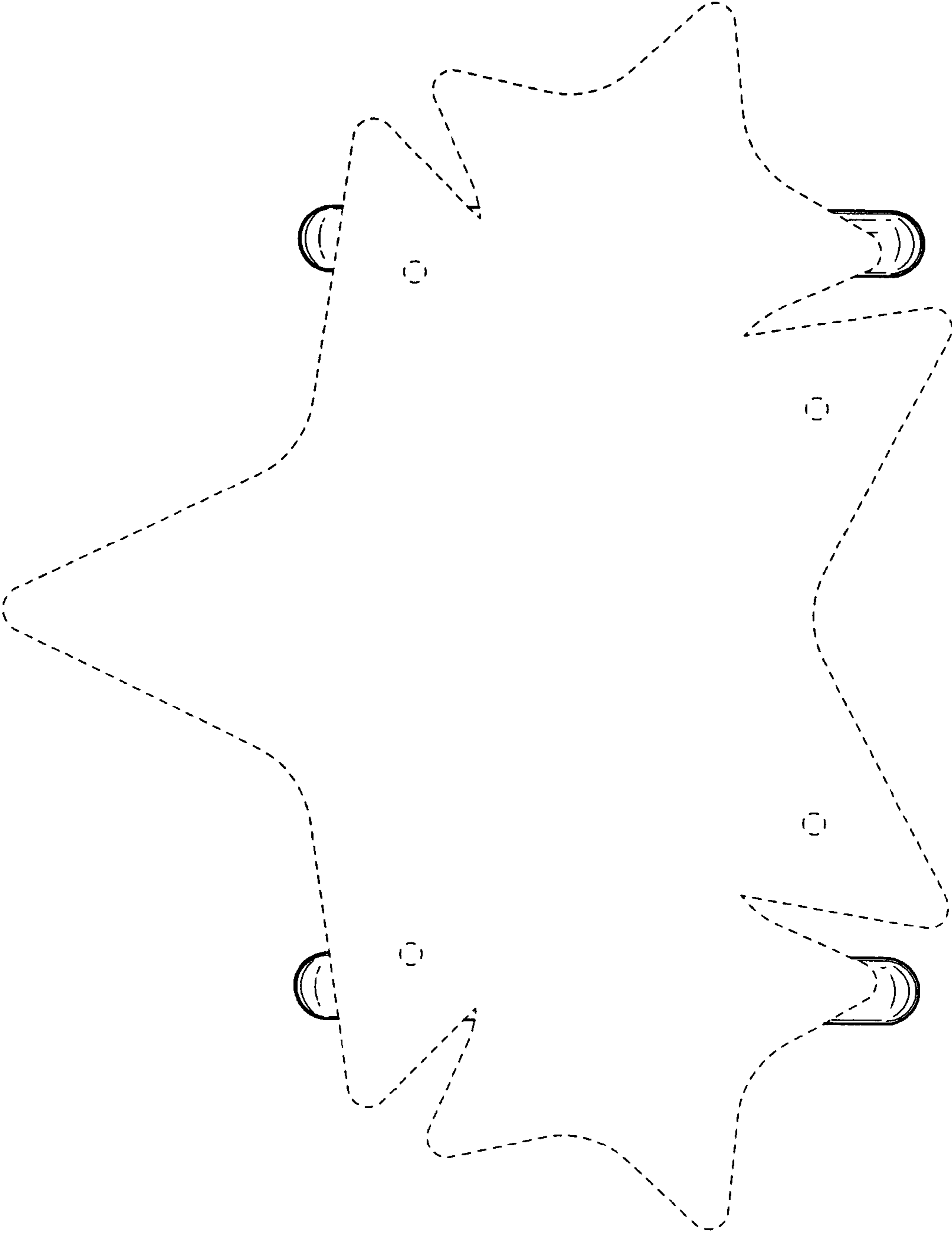


FIG. 3

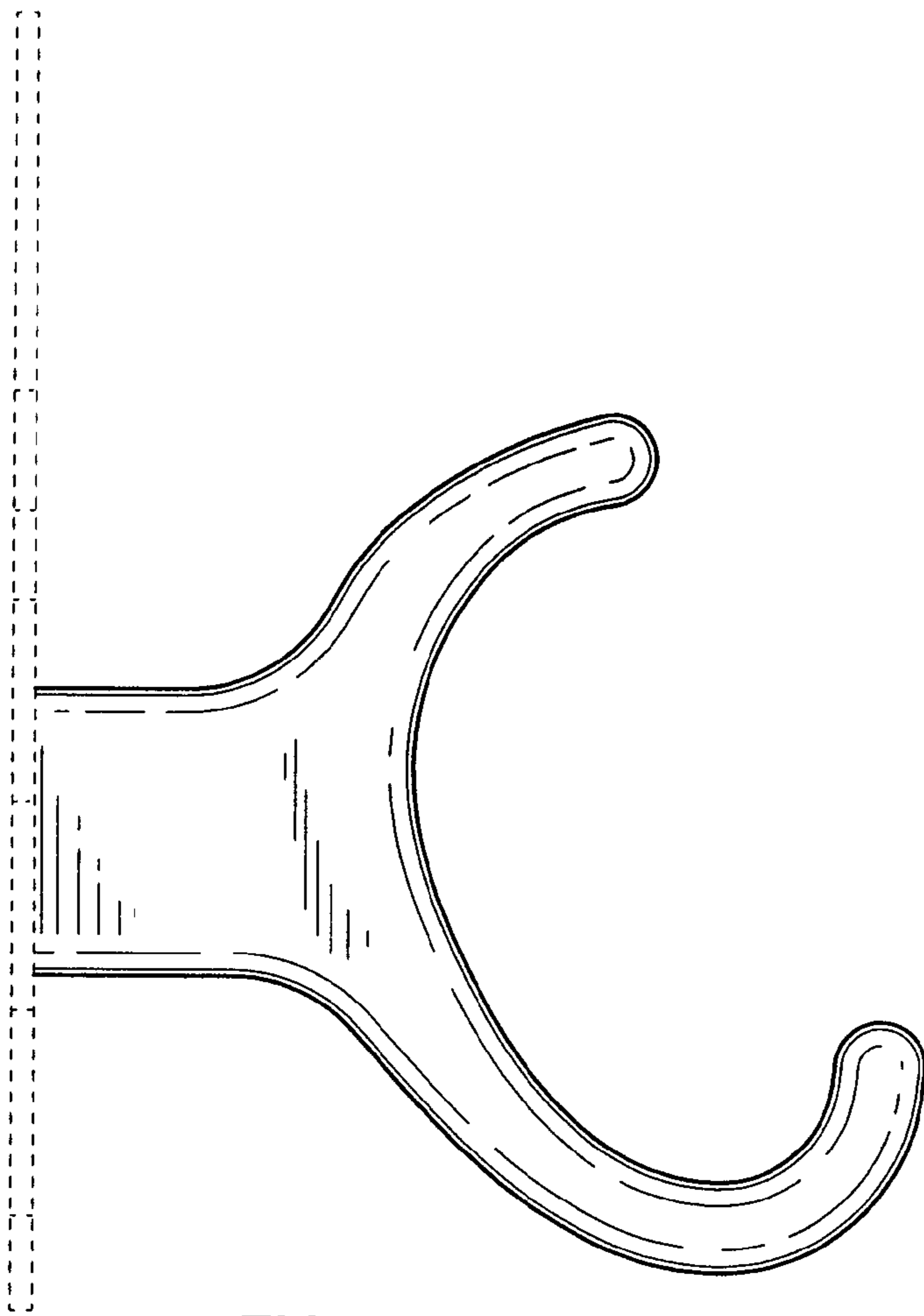


FIG. 4

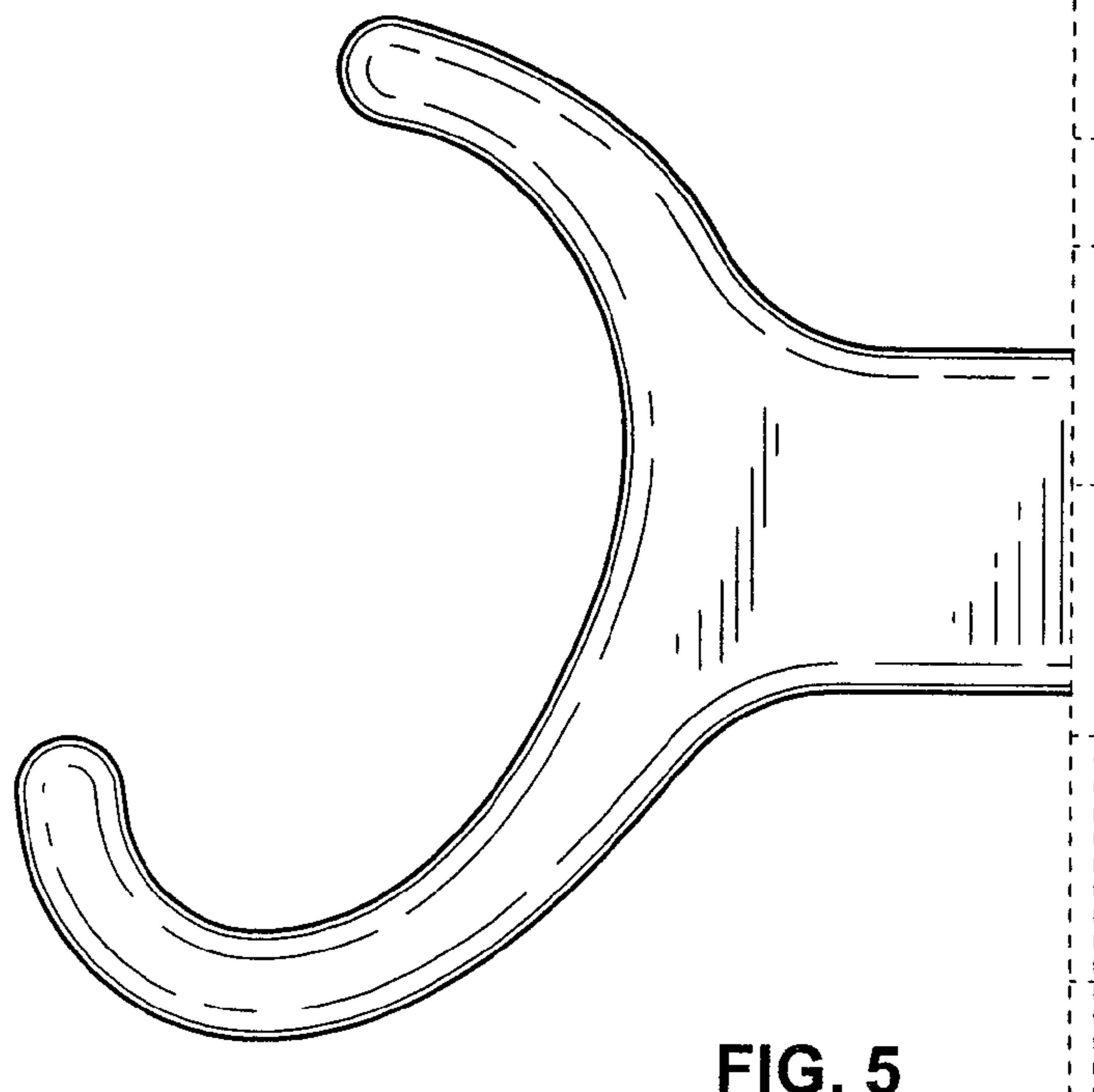


FIG. 5

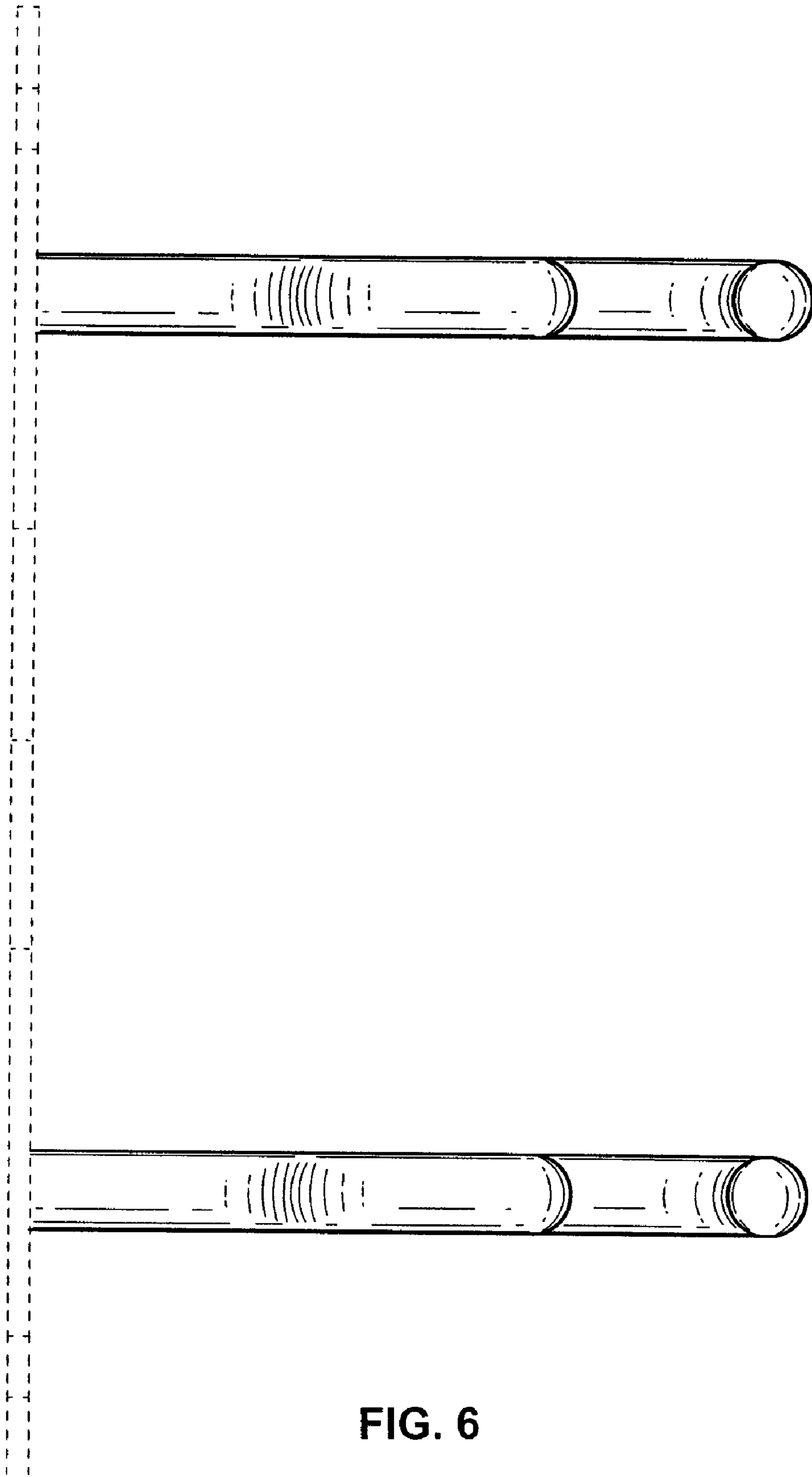


FIG. 6

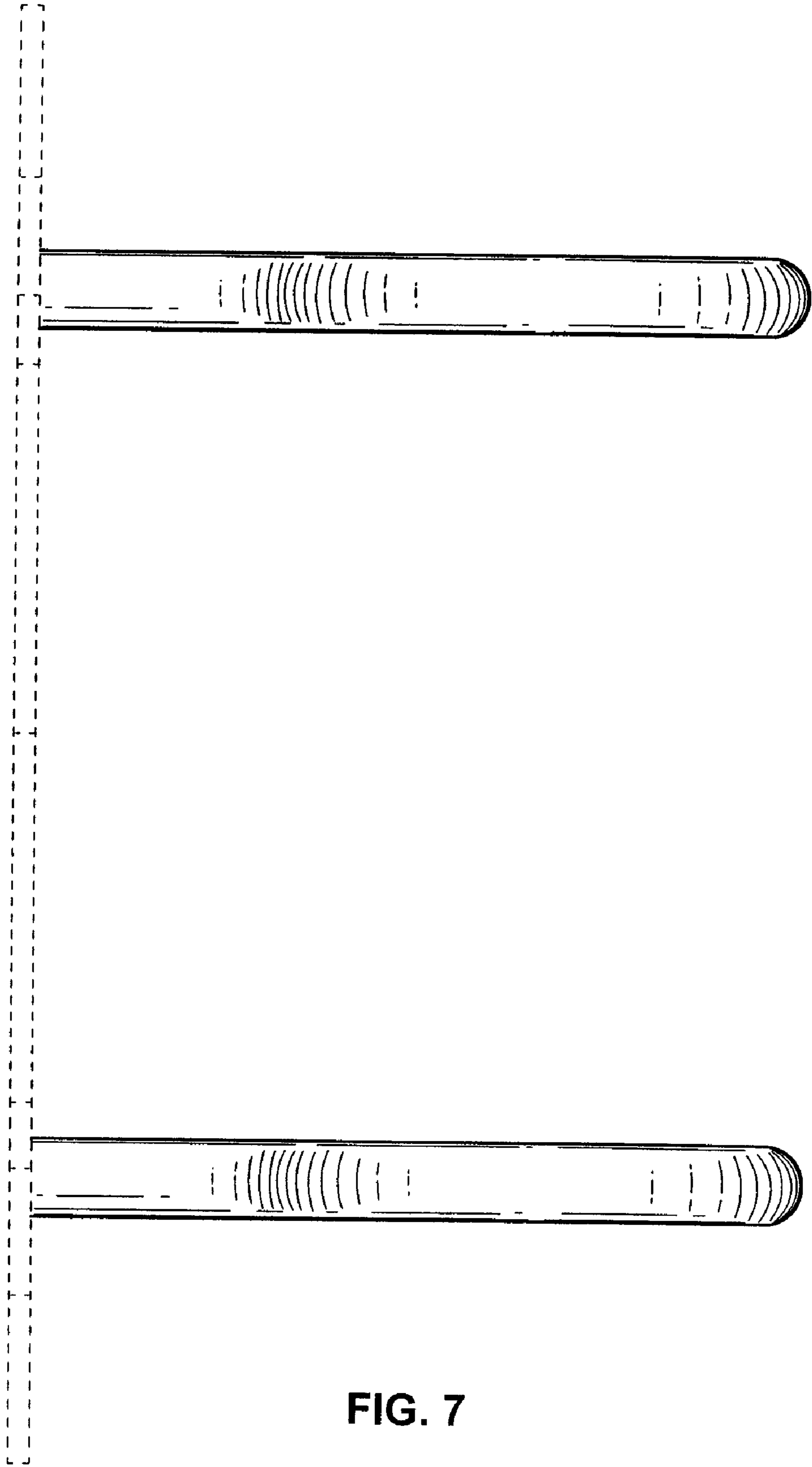


FIG. 7