



US00D555961S

(12) **United States Design Patent**
Lien et al.

(10) **Patent No.:** **US D555,961 S**

(45) **Date of Patent:** **** Nov. 27, 2007**

(54) **BARBELL RACK**

(75) Inventors: **Louis Lien**, Houston, TX (US);
Brandon Plumlee, Houston, TX (US)

(73) Assignee: **USA Sports, Inc.**, Houston, TX (US)

(**) Term: **14 Years**

(21) Appl. No.: **29/275,332**

(22) Filed: **Dec. 21, 2006**

(51) **LOC (8) Cl.** **08-08**

(52) **U.S. Cl.** **D6/552**

(58) **Field of Classification Search** D6/552,
D6/462-63, 468; D21/662, 686, 691, 694;
482/148; 211/13.1, 85.7, 49.1; 248/127,
248/163.1, 176.1

See application file for complete search history.

(56) **References Cited**

U.S. PATENT DOCUMENTS

D362,776 S * 10/1995 Thorn D6/552

6,014,078 A * 1/2000 Rojas et al. 482/148
D424,141 S * 5/2000 Eckmann D6/552
D506,516 S * 6/2005 Yang D6/552

* cited by examiner

Primary Examiner—Brian N Vinson

(74) *Attorney, Agent, or Firm*—Nick A. Nichols, Jr.

(57) **CLAIM**

The ornamental design for a barbell rack, as shown and described.

DESCRIPTION

FIG. 1 is a perspective view of a barbell rack showing our new design;

FIG. 2 is a top view thereof;

FIG. 3 is a side view thereof, the opposite side being a mirror image; and,

FIG. 4 is a front view thereof, the opposite side being a mirror image.

1 Claim, 2 Drawing Sheets

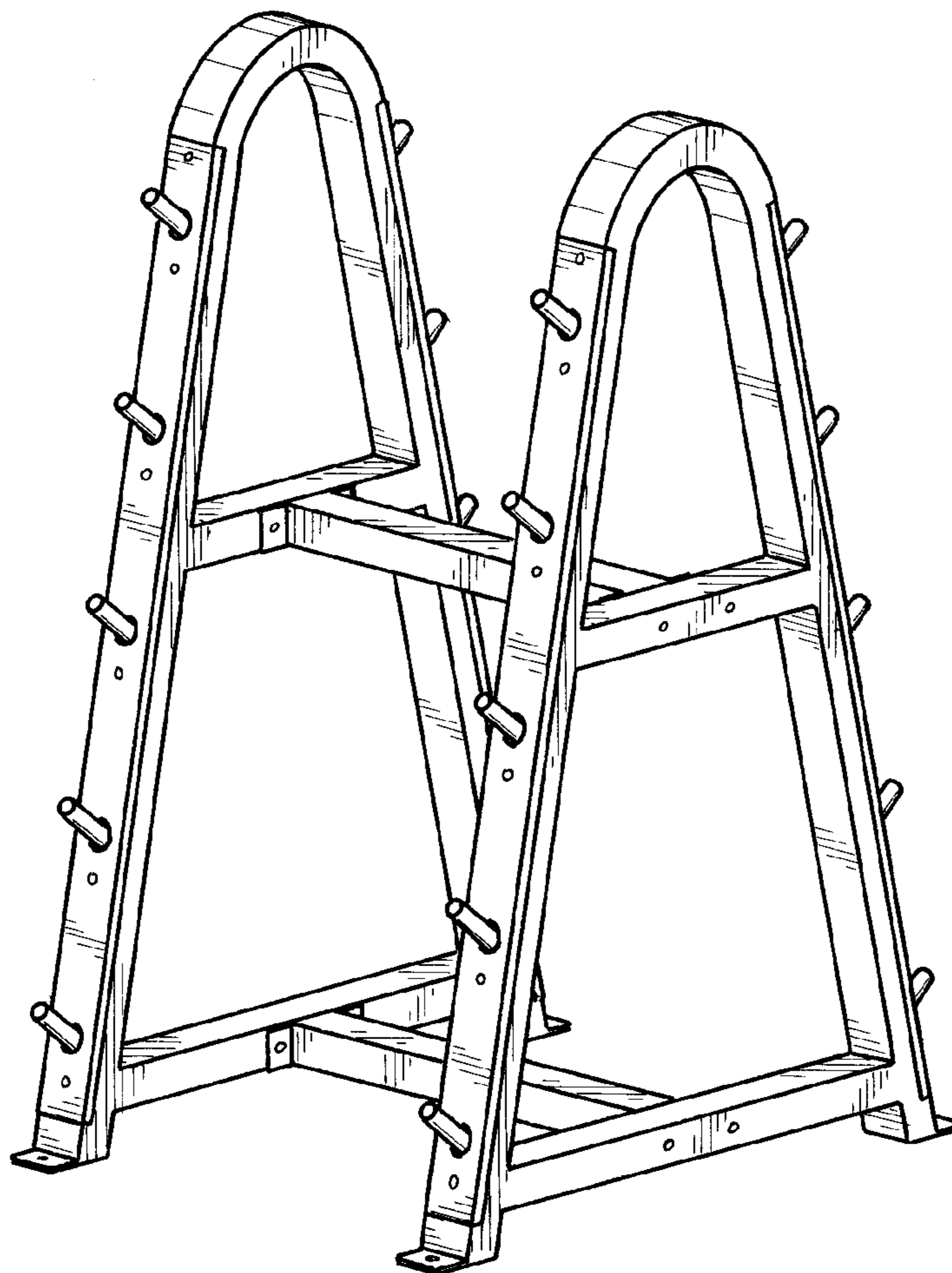


FIG. 1

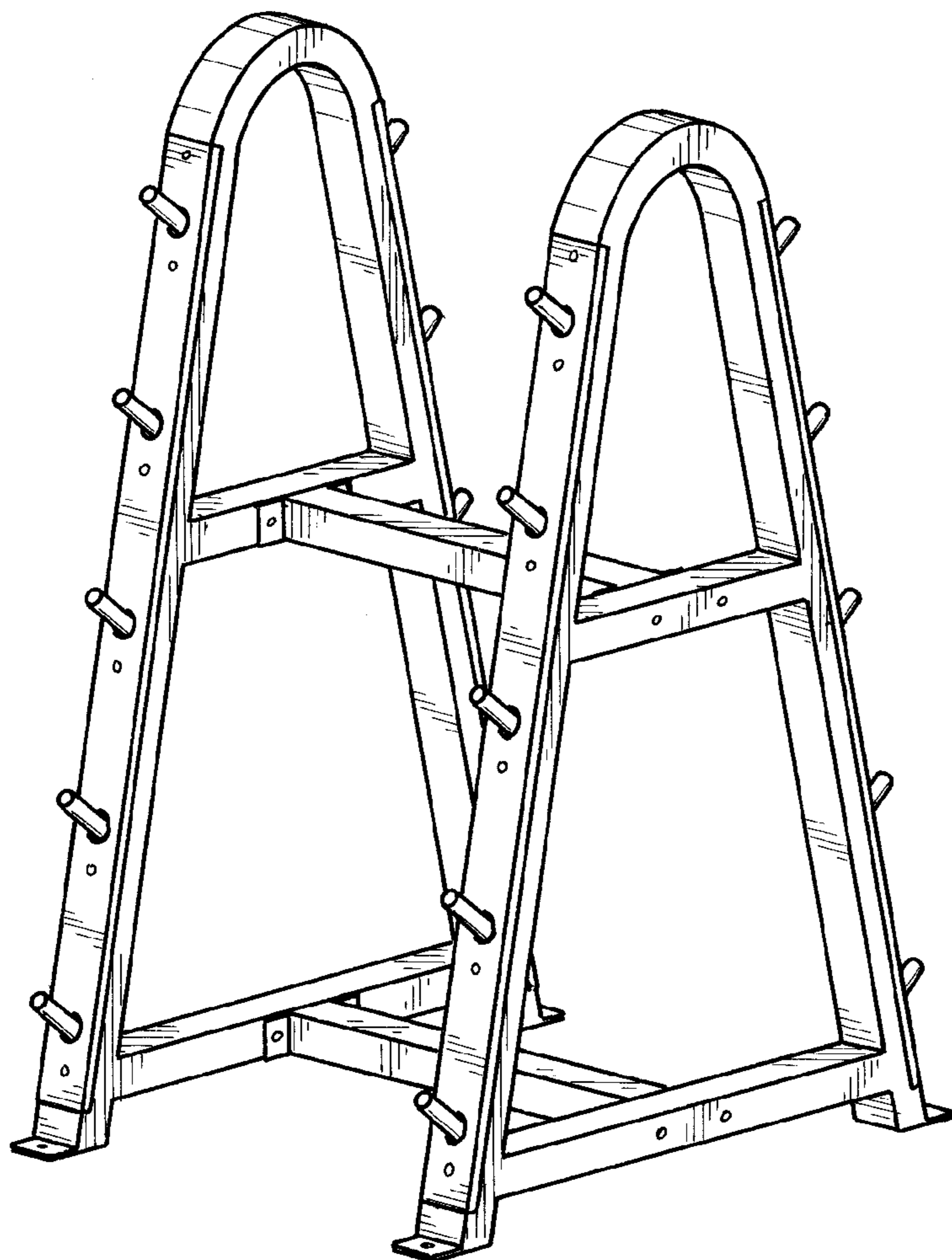


FIG. 2

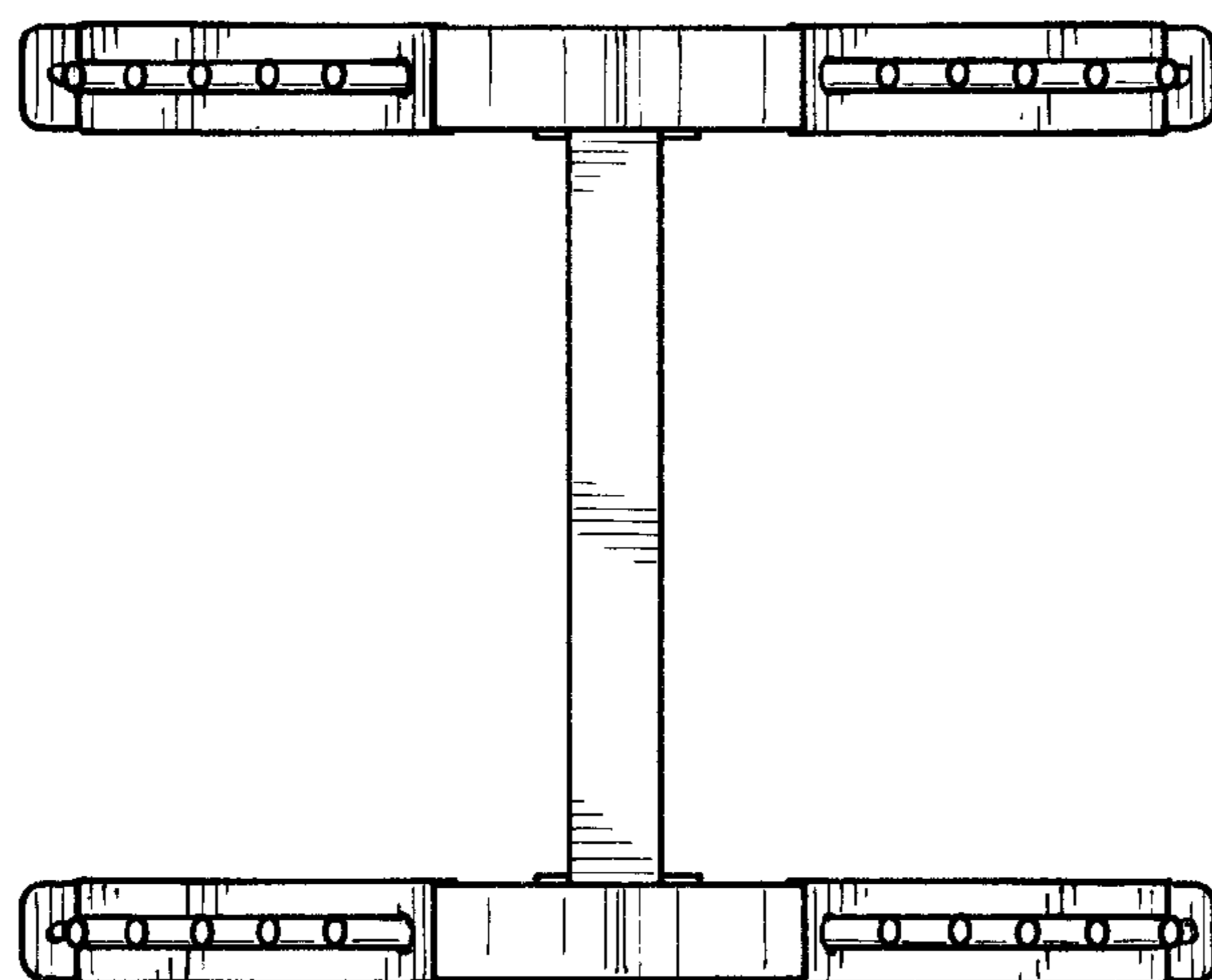


FIG. 4

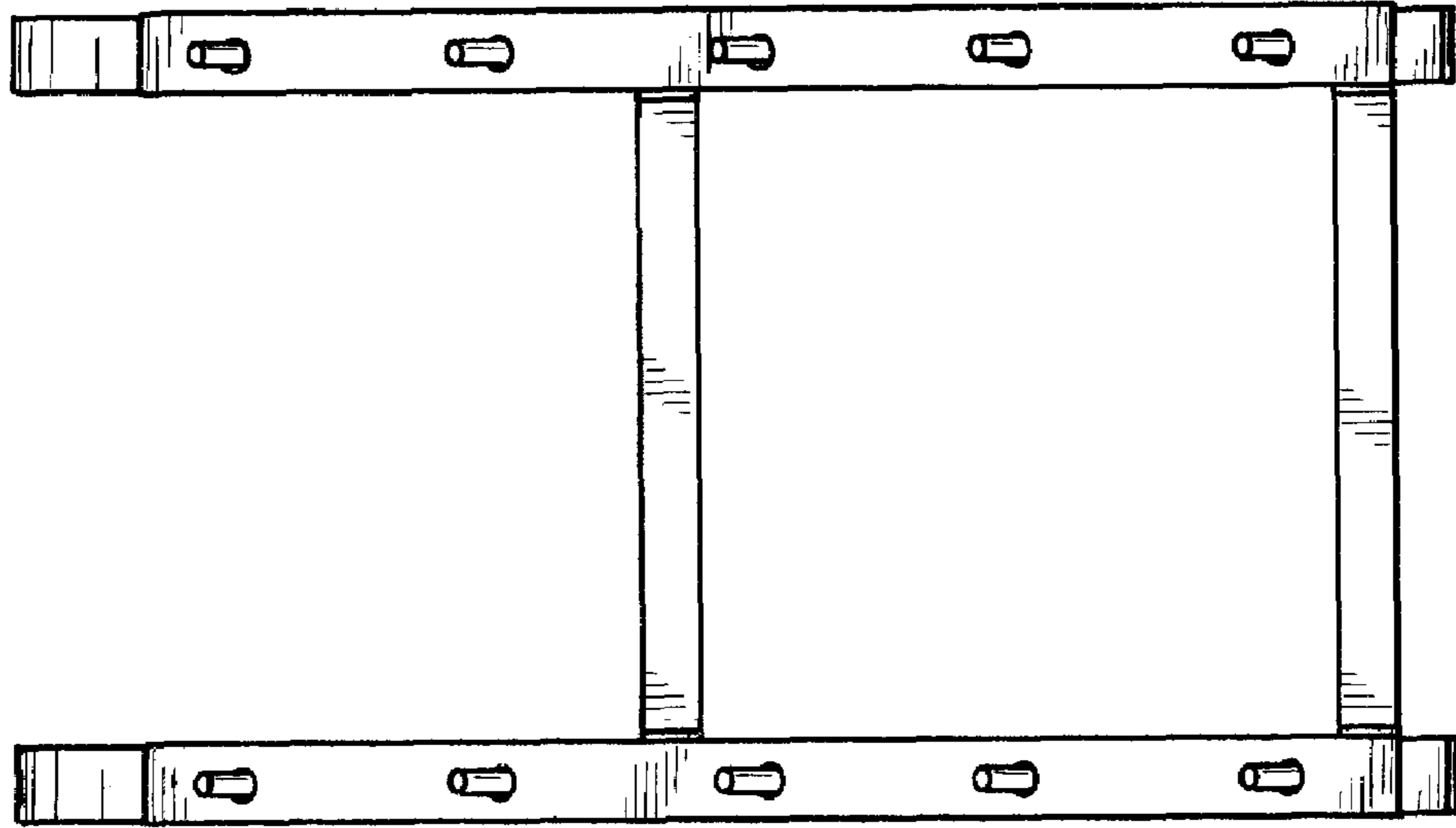


FIG. 3

