

US00D555960S

(12) **United States Design Patent**  
**Pena**

(10) **Patent No.:** **US D555,960 S**

(45) **Date of Patent:** **\*\* Nov. 27, 2007**

(54) **CUE RACK**

(75) Inventor: **Fredrick Pena**, Kenosha, WI (US)

(73) Assignee: **Brunswick Bowling & Billiards Corporation**, Lake Forest, IL (US)

(\*\*) Term: **14 Years**

(21) Appl. No.: **29/272,438**

(22) Filed: **Feb. 8, 2007**

(51) **LOC (8) Cl.** ..... **08-08**

(52) **U.S. Cl.** ..... **D6/552**

(58) **Field of Classification Search** ..... D6/552;  
206/315.1, 315.9; 211/13.1, 14, 85.7, 86.01,  
211/87.01, 89.01; 248/309.1, 312

See application file for complete search history.

(56) **References Cited**

U.S. PATENT DOCUMENTS

77,452 A	5/1868	Bruschmann
293,458 A	2/1884	Hausman
295,857 A	3/1884	Collender
297,031 A	4/1884	Tea
391,677 A	10/1888	Becker
815,228 A	3/1906	Stone
1,386,577 A	8/1921	McCool
1,418,093 A	5/1922	Parmater
1,454,900 A	5/1923	Leventry
1,478,032 A	12/1923	Hine
1,478,043 A	12/1923	Matteson
1,683,533 A	9/1928	Drost
2,482,240 A	9/1949	Bowman
2,767,854 A	10/1956	Barrett
2,881,925 A	4/1959	Idoux
3,869,137 A	3/1975	Byrom
4,753,446 A	6/1988	Mills
4,852,896 A	8/1989	Mills
5,366,075 A	11/1994	Mills
5,573,122 A	11/1996	Williams
5,676,261 A	10/1997	Baughman et al.

D406,483 S *	3/1999	Bast	.....	D6/552
5,947,583 A *	9/1999	Castano	.....	D6/552
D429,936 S *	8/2000	McCormick et al.	.....	D6/552
D429,937 S	8/2000	McCormick et al.		
D431,951 S	10/2000	McCormick		
D431,952 S	10/2000	McCormick		
D436,778 S	1/2001	McCormick		
D436,779 S	1/2001	McCormick		
D440,803 S *	4/2001	McCormick et al.	.....	D6/552
D475,877 S *	6/2003	McCormick	.....	D6/552
D477,741 S *	7/2003	Wang	.....	D6/552
6,742,662 B1	6/2004	McCormick et al.		
6,932,222 B2	8/2005	McCormick et al.		

\* cited by examiner

*Primary Examiner*—Brian N Vinson

(74) *Attorney, Agent, or Firm*—Brinks Hofer Gilson & Lione

(57) **CLAIM**

The ornamental design for a cue rack, as shown and described.

**DESCRIPTION**

FIG. 1 is a right-front perspective view of a cue rack that incorporates my new design.

FIG. 2 is a left-front perspective view thereof.

FIG. 3 is a front view thereof.

FIG. 4 is a right-side view thereof.

FIG. 5 is a left-side view thereof.

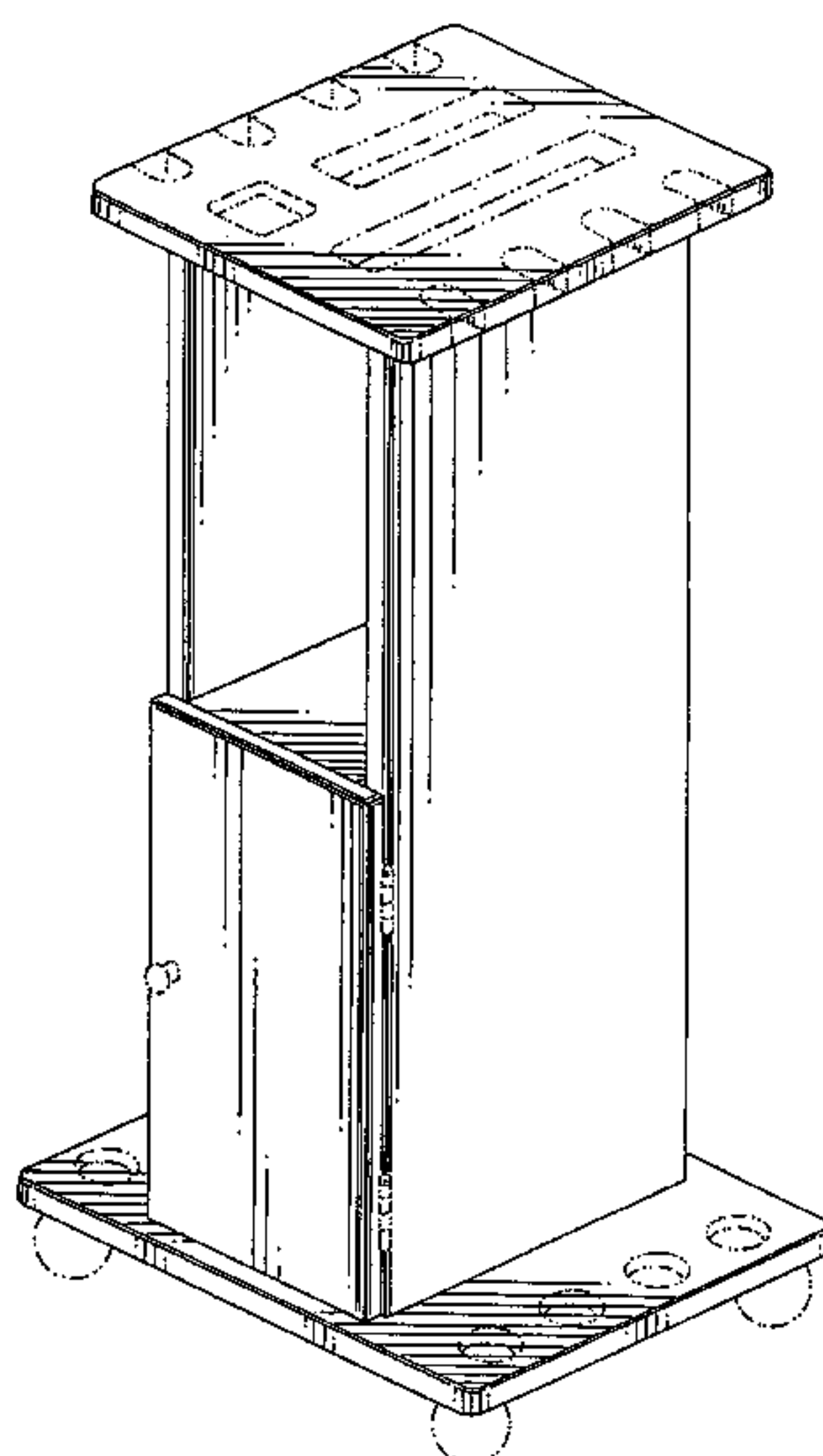
FIG. 6 is a back view thereof.

FIG. 7 is a top view thereof; and,

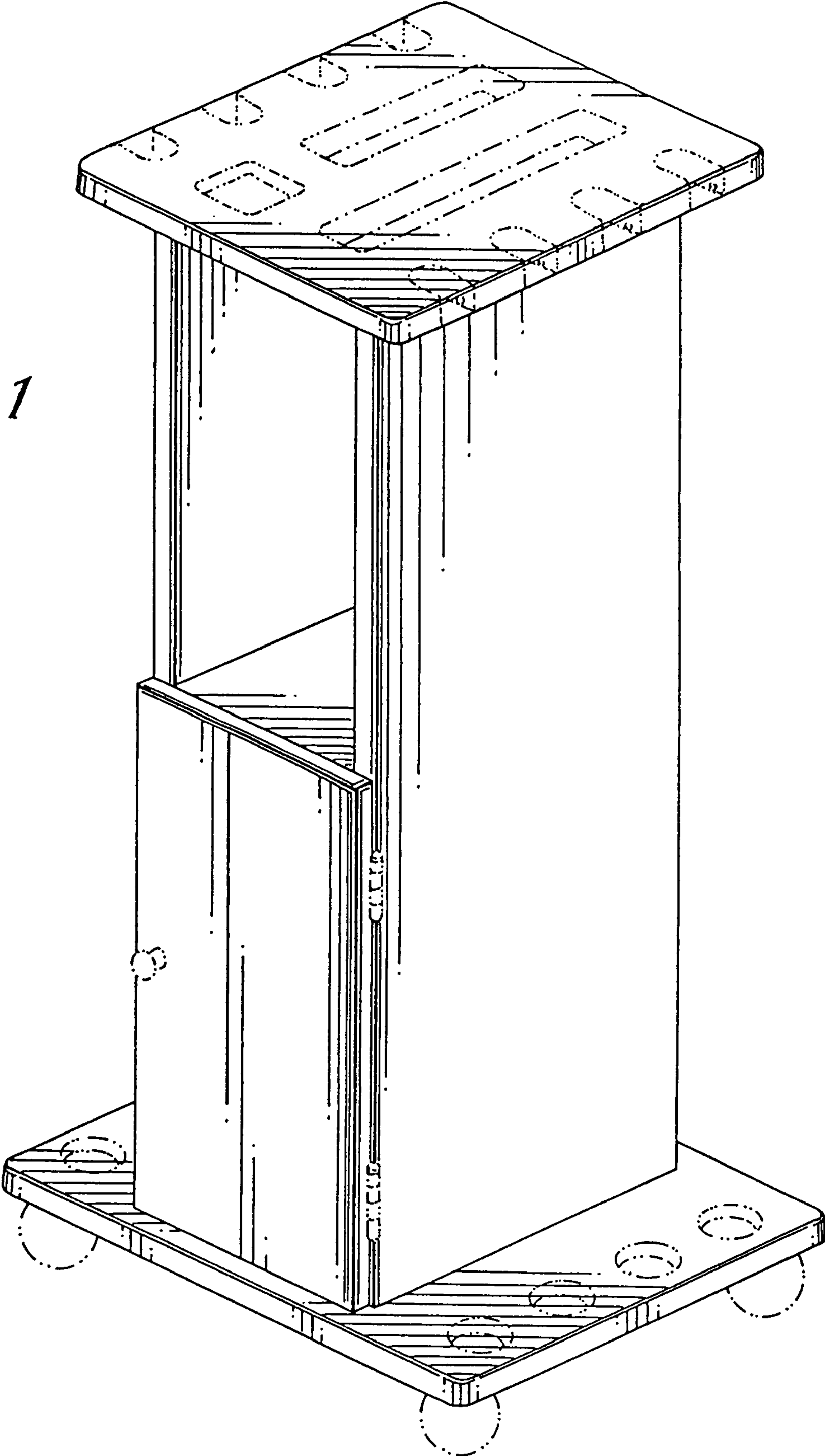
FIG. 8 is a bottom view thereof.

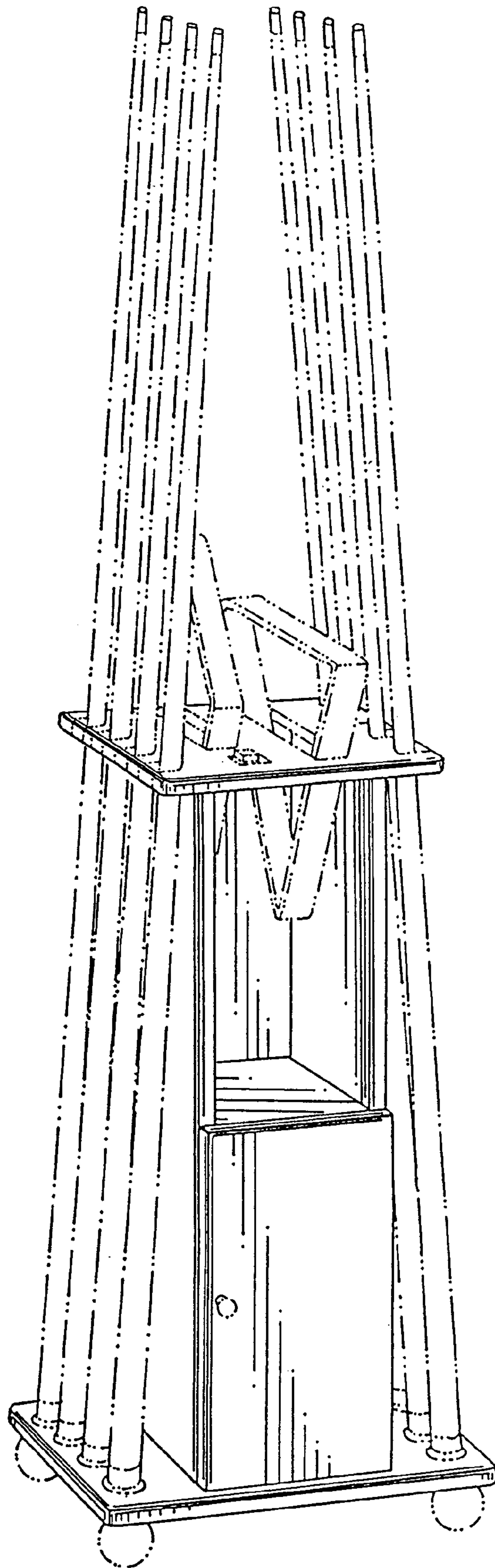
The broken line showing of the feet, handle, hardware elements, depressions, cut-outs, and accessories are for illustrative purposes only and form no part of the claimed design.

**1 Claim, 7 Drawing Sheets**

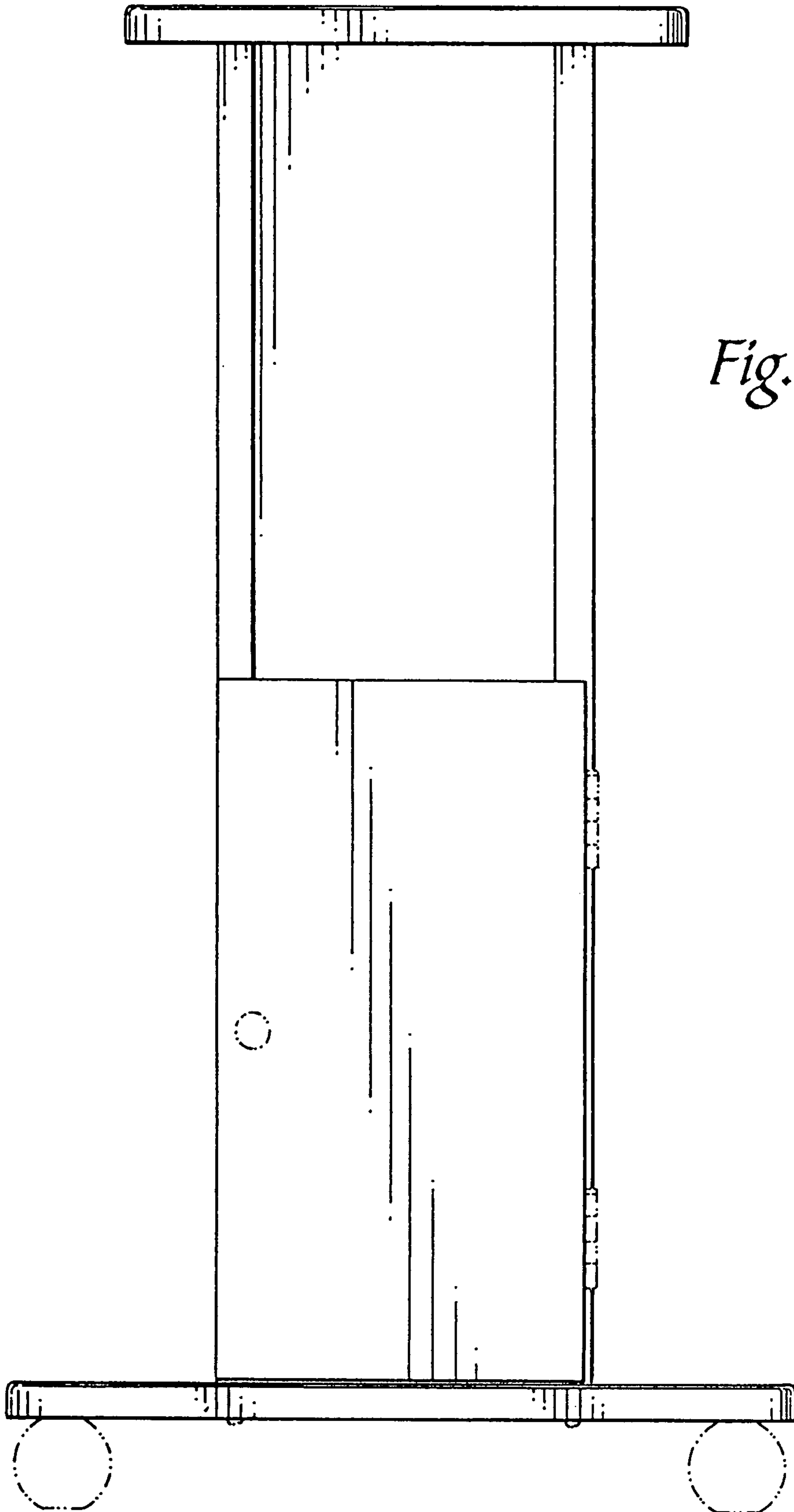


*Fig. 1*

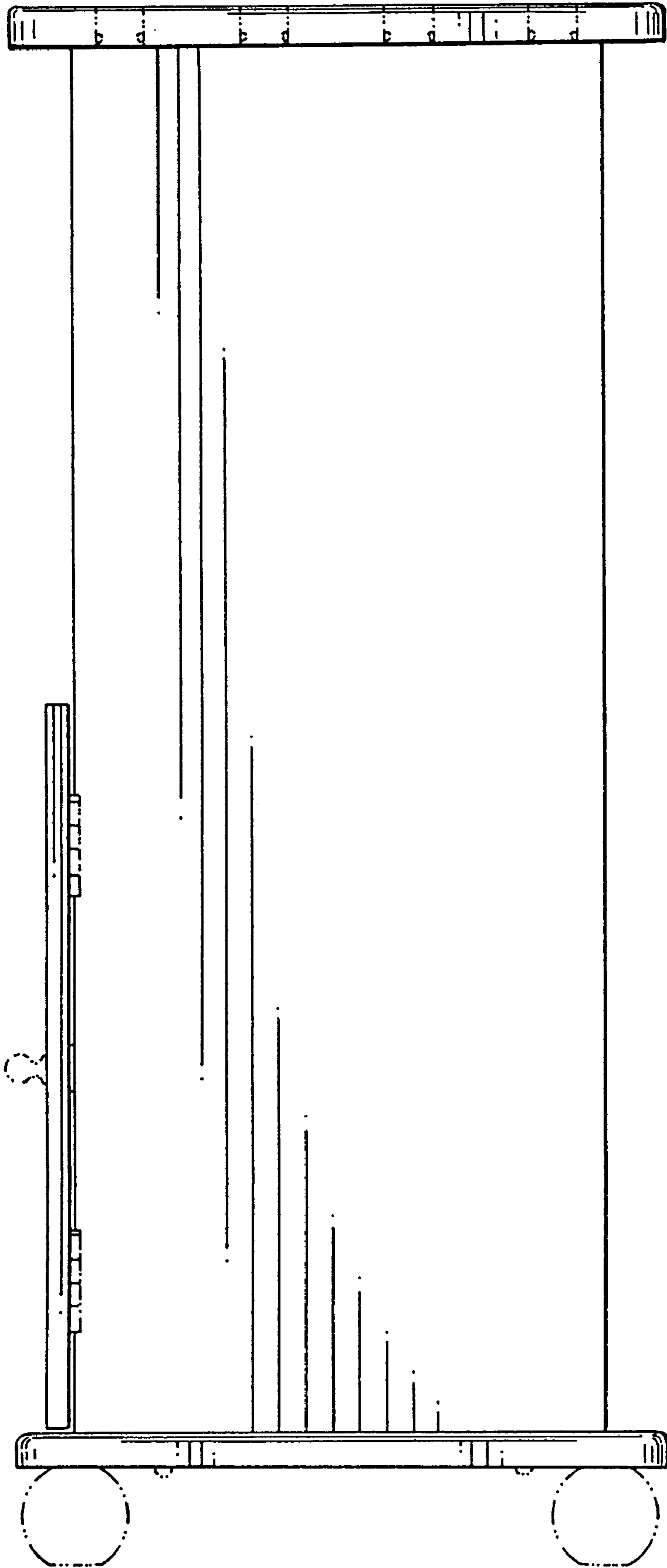




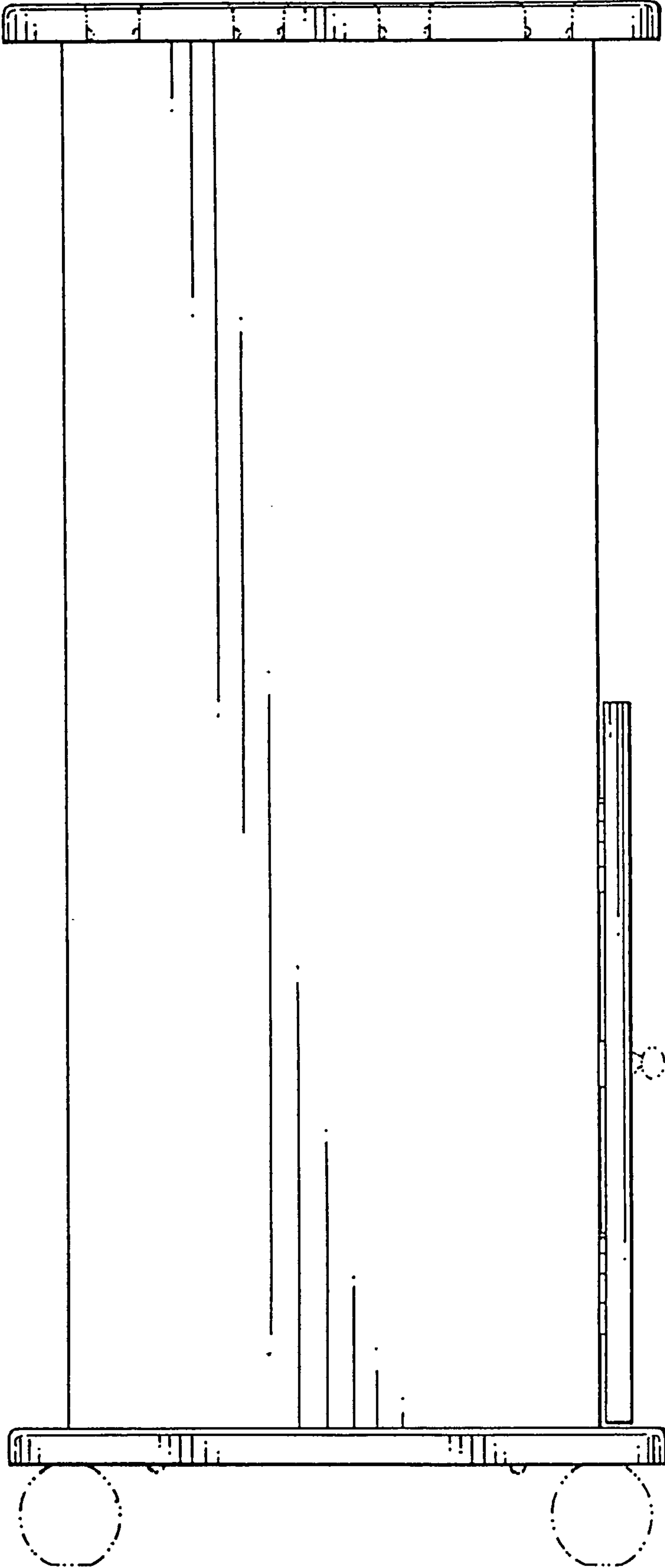
*Fig. 2*



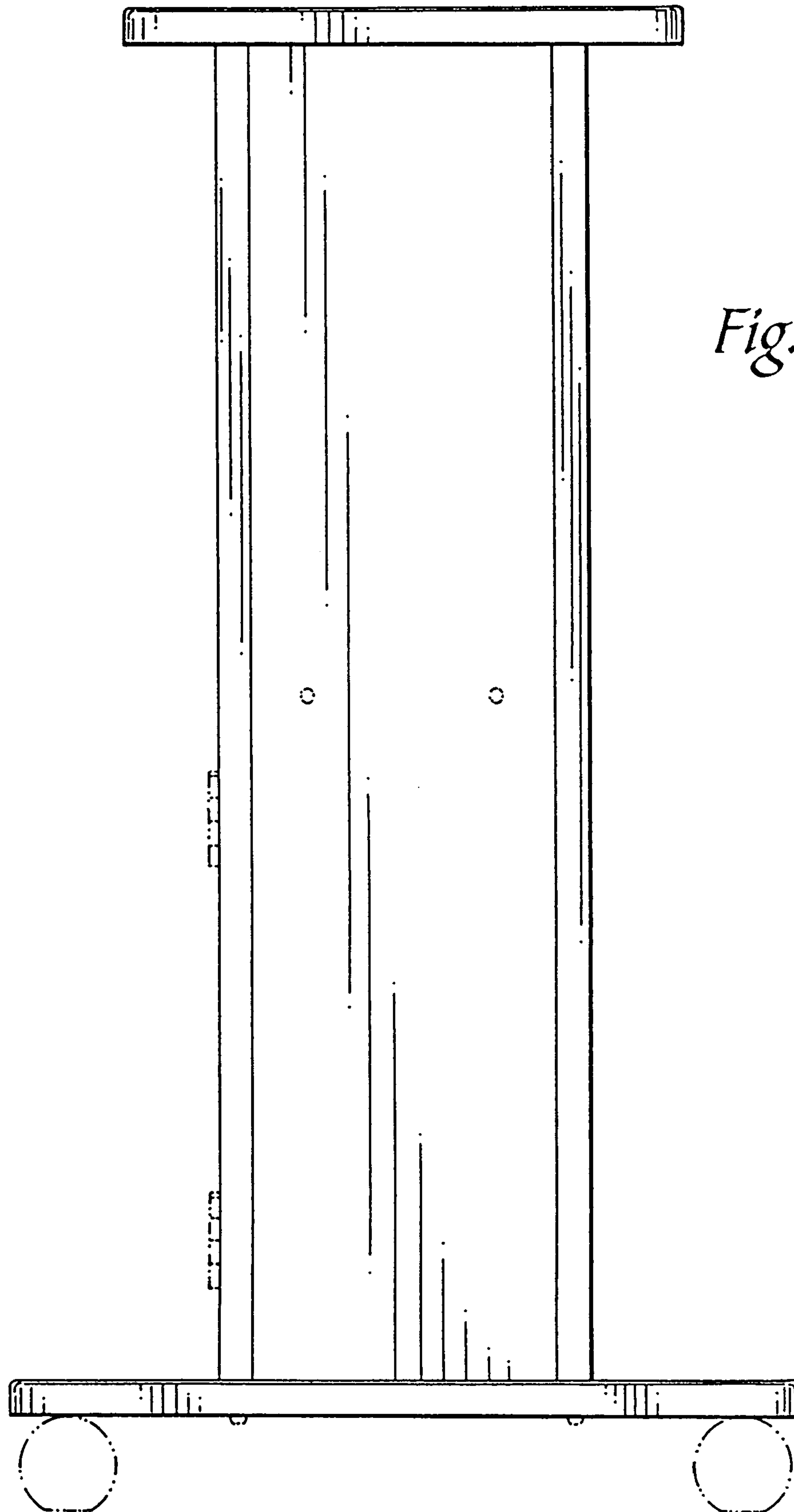
*Fig. 3*



*Fig. 4*

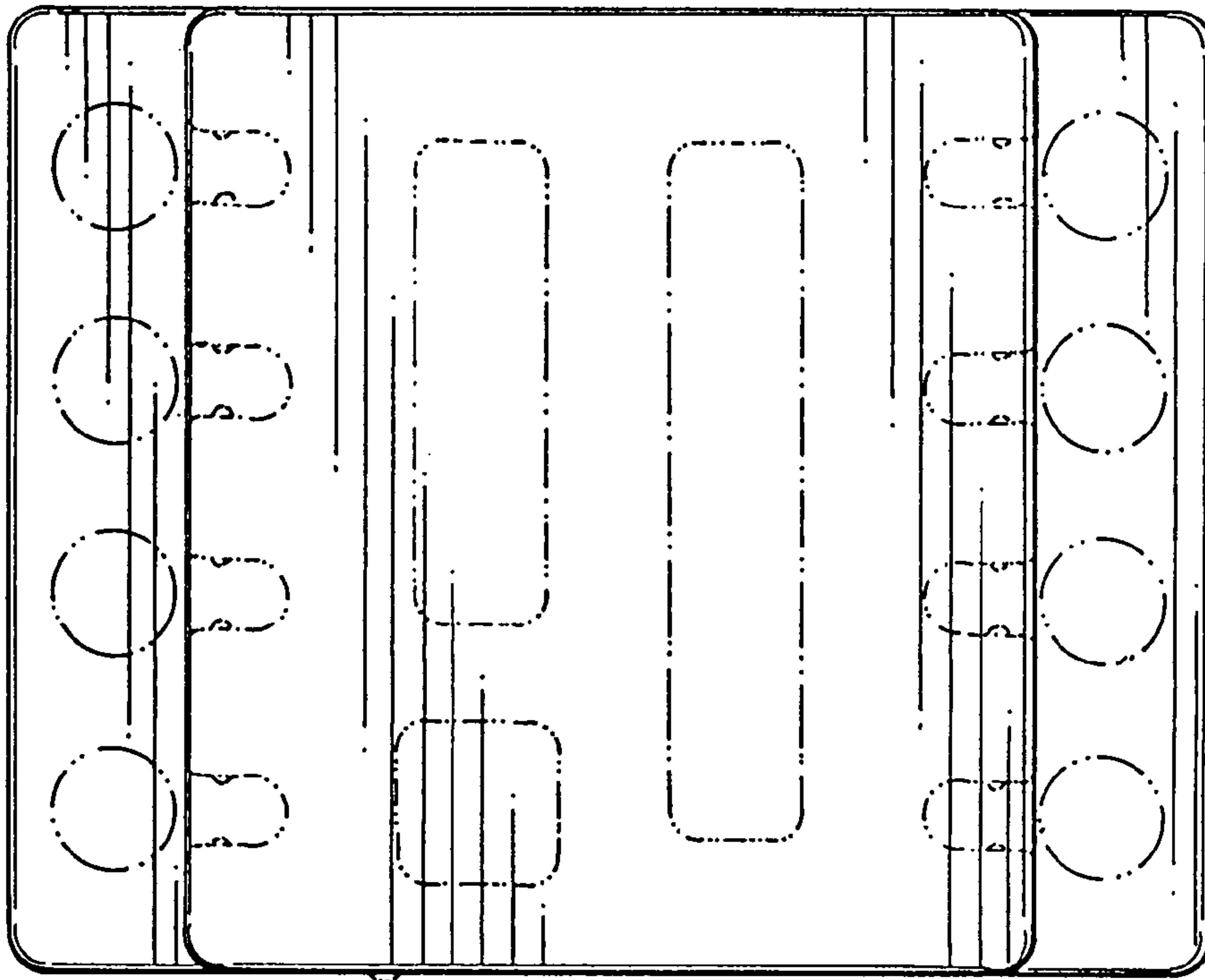


*Fig. 5*

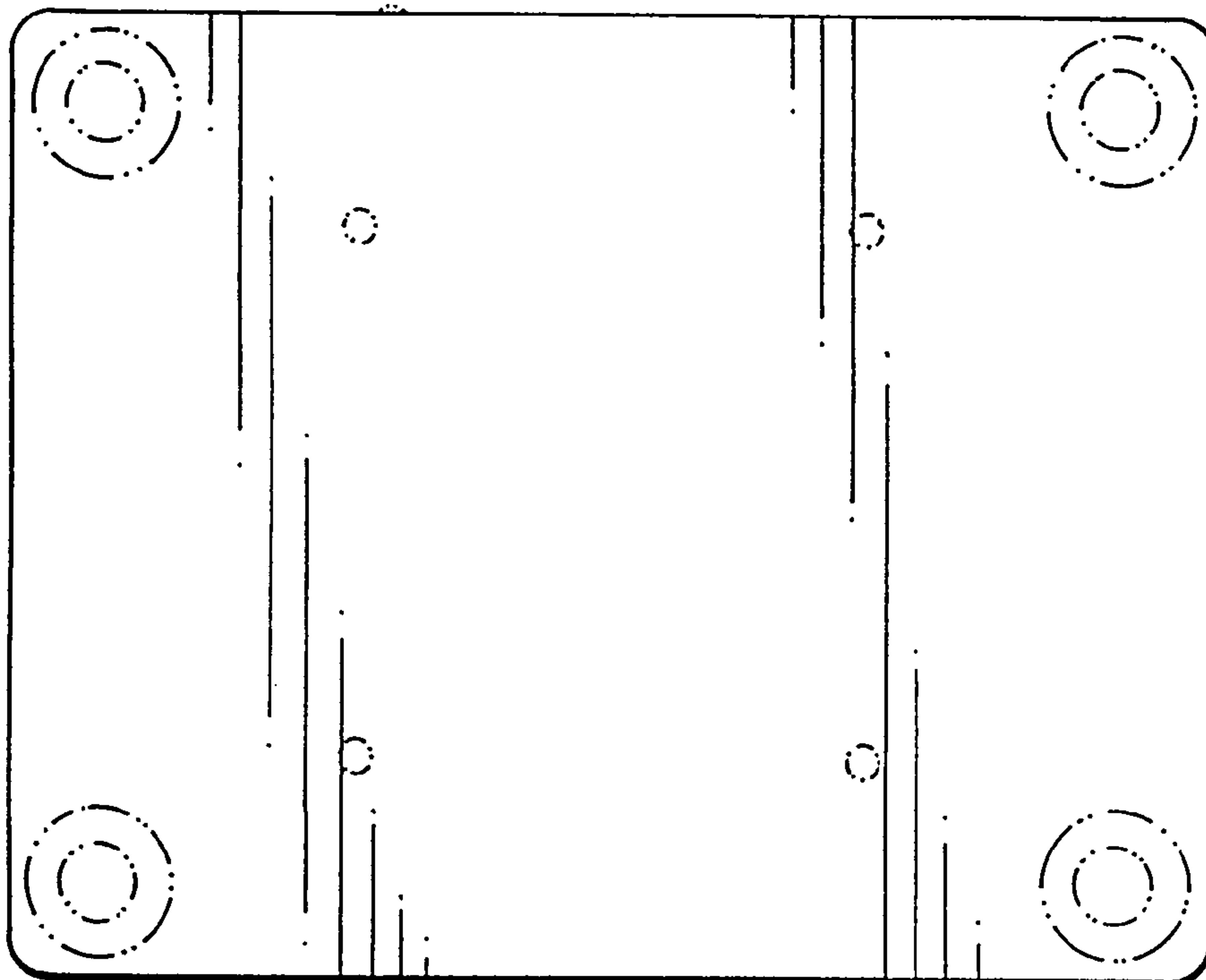


*Fig. 6*





*Fig. 7*



*Fig. 8*