



US00D555959S

(12) **United States Design Patent**  
**Rubin**

(10) **Patent No.:** **US D555,959 S**

(45) **Date of Patent:** **\*\* Nov. 27, 2007**

(54) **WALL MOUNTABLE SUPPORT**

(75) Inventor: **Leila Michelle Rubin**, Sheboygan, WI (US)

(73) Assignee: **Kohler Co.**, Kohler, WI (US)

(\*\*) Term: **14 Years**

(21) Appl. No.: **29/249,542**

(22) Filed: **Oct. 11, 2006**

(51) **LOC (8) Cl.** ..... **06-04**

(52) **U.S. Cl.** ..... **D6/550**

(58) **Field of Classification Search** ..... D6/546-550, D6/518-523; D8/300, 303, 315-321, 349, D8/354, 363, 373, 380; 108/28-29; 211/13.1, 211/16, 60.1, 100, 86.01, 87.01, 88.01, 88.04, 211/105.1-105.2, 123, 182, 181.1; 248/175, 248/176.1, 251, 302, 309.1; 16/110.1, 412, 16/415; 242/570, 590, 595-598

See application file for complete search history.

(56) **References Cited**

**U.S. PATENT DOCUMENTS**

D385,735 S \* 11/1997 Hundley et al. .... D6/524

(Continued)

**OTHER PUBLICATIONS**

Kohler Co. "IV Georges Brass towel ring". Model No. K-6817-C. Kohler Co. online catalog. Copyright 2006 Kohler Co.

(Continued)

*Primary Examiner*—Brian N Vinson

(74) *Attorney, Agent, or Firm*—Quarles & Brady LLP

(57) **CLAIM**

The ornamental design for a wall mountable support, as shown and described.

**DESCRIPTION**

In a preferred embodiment, the nature of this product is a wall mountable support, such as a towel ring, a horizontal or

vertical toilet paper holder, a soap dish, a cup holder, a towel bar, or an escutcheon for use in supporting wall mountable items.

FIG. 1 is a right, top, front perspective view of a wall mountable support according to my new design;

FIG. 2 is a right side elevational view thereof, the left side elevational view being a mirror image the right side shown;

FIG. 3 is a top plan view thereof; the bottom plan view thereof being identical to the top view shown;

FIG. 4 is a front elevational view thereof;

FIG. 5 is a rear elevational view thereof;

FIG. 6 is a right, top, front perspective view of the wall mountable support of FIG. 1 shown with towel ring environment in phantom;

FIG. 7 is a right, top, front perspective view of the wall mountable support of FIG. 1 shown with horizontal holder environment in phantom;

FIG. 8 is a right, top, front perspective view of the wall mountable support of FIG. 1 shown with vertical holder environment in phantom;

FIG. 9 is a right, top, front perspective view of the wall mountable support of FIG. 1 shown with cup and holder environment in phantom;

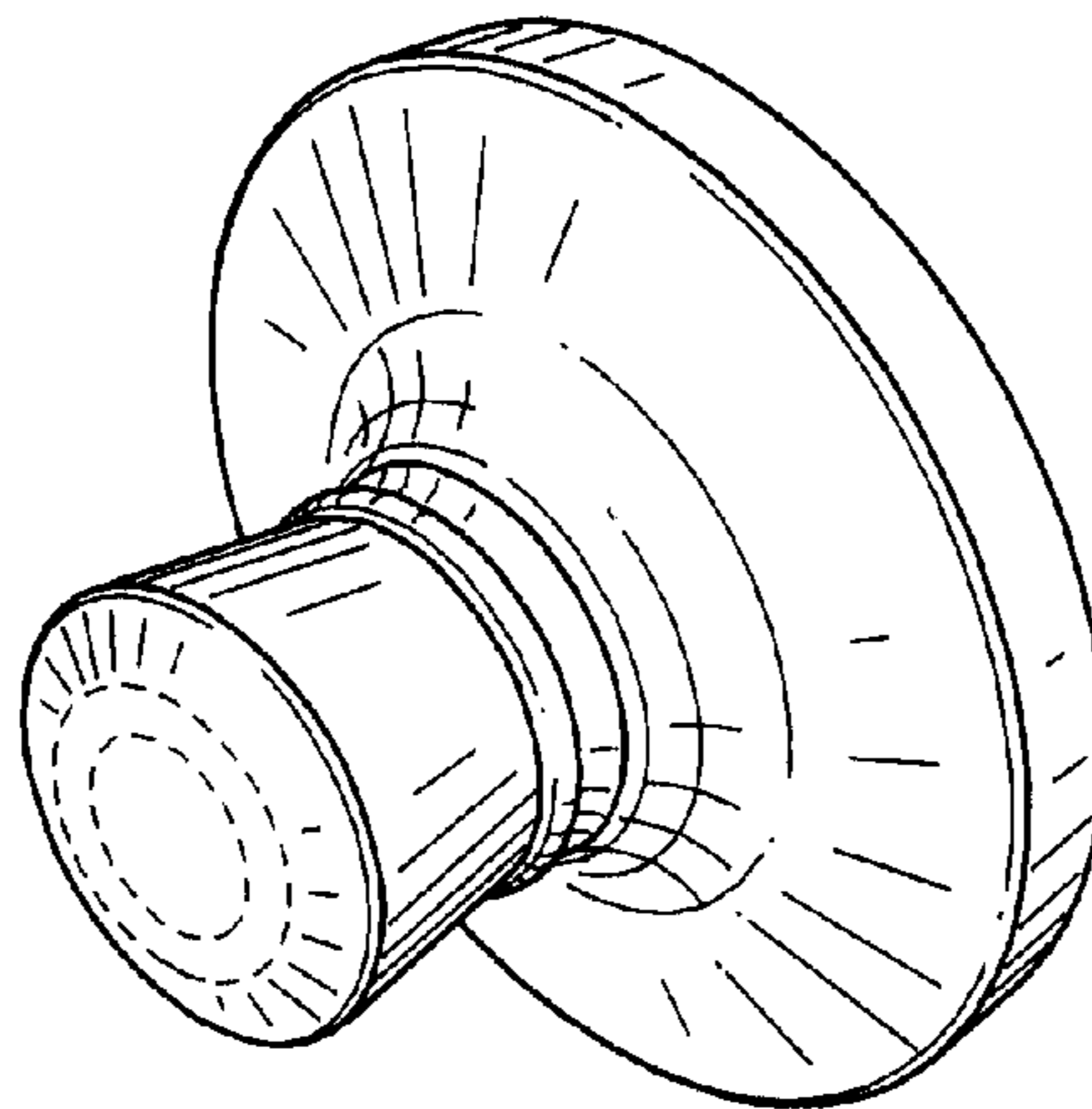
FIG. 10 is a right, top, front perspective view of the wall mountable support of FIG. 1 shown with dish environment in phantom;

FIG. 11 is a right, top, front perspective view of the wall mountable support of FIG. 1 shown with bar and additional support environment in phantom; and,

FIG. 12 is a right, top, front perspective view of the wall mountable support of FIG. 1 shown with dish and cup and holder environment in phantom.

The broken line representations of support structure in FIGS. 1 and 4, an opening in FIG. 5, ring environment in FIG. 6, holder and additional support environment in FIG. 7, holder environment in FIG. 8, cup and holder environment in FIG. 9, dish environment in FIG. 10, bar and additional support environment in FIG. 11, and dish and cup and holder environment in FIG. 12 are for the purpose of illustration only, and form no part of the claimed design.

**1 Claim, 9 Drawing Sheets**



U.S. PATENT DOCUMENTS

D386,343 S	11/1997	Moore	
D393,166 S *	4/1998	Sharpe .....	D6/524
D394,972 S	6/1998	Moore et al.	
D400,381 S *	11/1998	Solowiej et al. ....	D6/550
D409,029 S *	5/1999	Harris .....	D6/524
D409,867 S	5/1999	Sweetman	
D417,989 S	12/1999	Moore et al.	
D422,824 S	4/2000	Moore et al.	
D425,348 S *	5/2000	Chen .....	D6/524
D431,139 S *	9/2000	Chen .....	D6/524
D437,717 S	2/2001	Solowiej	
D455,307 S	4/2002	Hoernig	
D463,937 S *	10/2002	Lee Wang .....	D6/550
D478,757 S	8/2003	Hoernig	
D508,356 S	8/2005	Gilbert	
D530,556 S *	10/2006	Berberet et al. ....	D6/550
D536,203 S *	2/2007	Berberet .....	D6/550

OTHER PUBLICATIONS

Moen. "Waterhill towel ring". Model No. YB9886CH. Moen Incorporated online catalog. Copyright 2005 Moen Incorporated.  
 DesignerPlumbing.com. "SONIA90 toilet paper holder". DesignerPlumbing.com online catalog.  
 Kohler Co. "Portrait toilet tissue holder". Model No. K-10485. Kohler Co. online catalog. Copyright 2006 Kohler Co.

Moen. "Kingsley paper holder". Model No. YB5408CH. Moen Incorporated online catalog. Copyright 2005 Moen Incorporated.  
 DesignerPlumbing.com. "SONIA135". DesignerPlumbing.com online catalog.  
 Kohler Co. "Forte with Sculpted Design". Model No. K-11280-CP.  
 Kohler Co. "The Bold Look of Kohler" catalog. Copyright 2004 Kohler Co.  
 Kohler Co. "Forte with Sculpted Design". Model No. K-11281-CP.  
 Kohler Co. "The Bold Look of Kohler" catalog. Copyright 2004 Kohler Co.  
 Plumbworld.co.uk. "Planet Frosted Glass Tumbler and Holder". Model No. PWRH00306. Plumbworld online catalog. Catalog Plumbworld.co.uk Limited or its licensors.  
 AquaBrass Decorative Hardware and Bath Accessories Counter Top Soap Dish and Tumbler Holder. Model No. AQA-15223. Myknobs.com online catalog, Copyright 1998-2006 MyKnobs.com.  
 Kohler Co. "Fairfax" soap dish and tumbler holder. Model Nos. K-12162-CP and K-12161-CP. Kohler Co. "The Bold Look of Kohler" catalog. Copyright 2004 Kohler Co.  
 Moen. "Waterhill towel bar". Model No. YB9824CH. Moen Incorporated online catalog. Copyright 2005 Moen Incorporated.  
 Kohler Co. "Bancroft 18" towel bar". Model No. K-11410. Kohler Co. online catalog, Copyright 2006 Kohler Co.

\* cited by examiner

FIG. 1

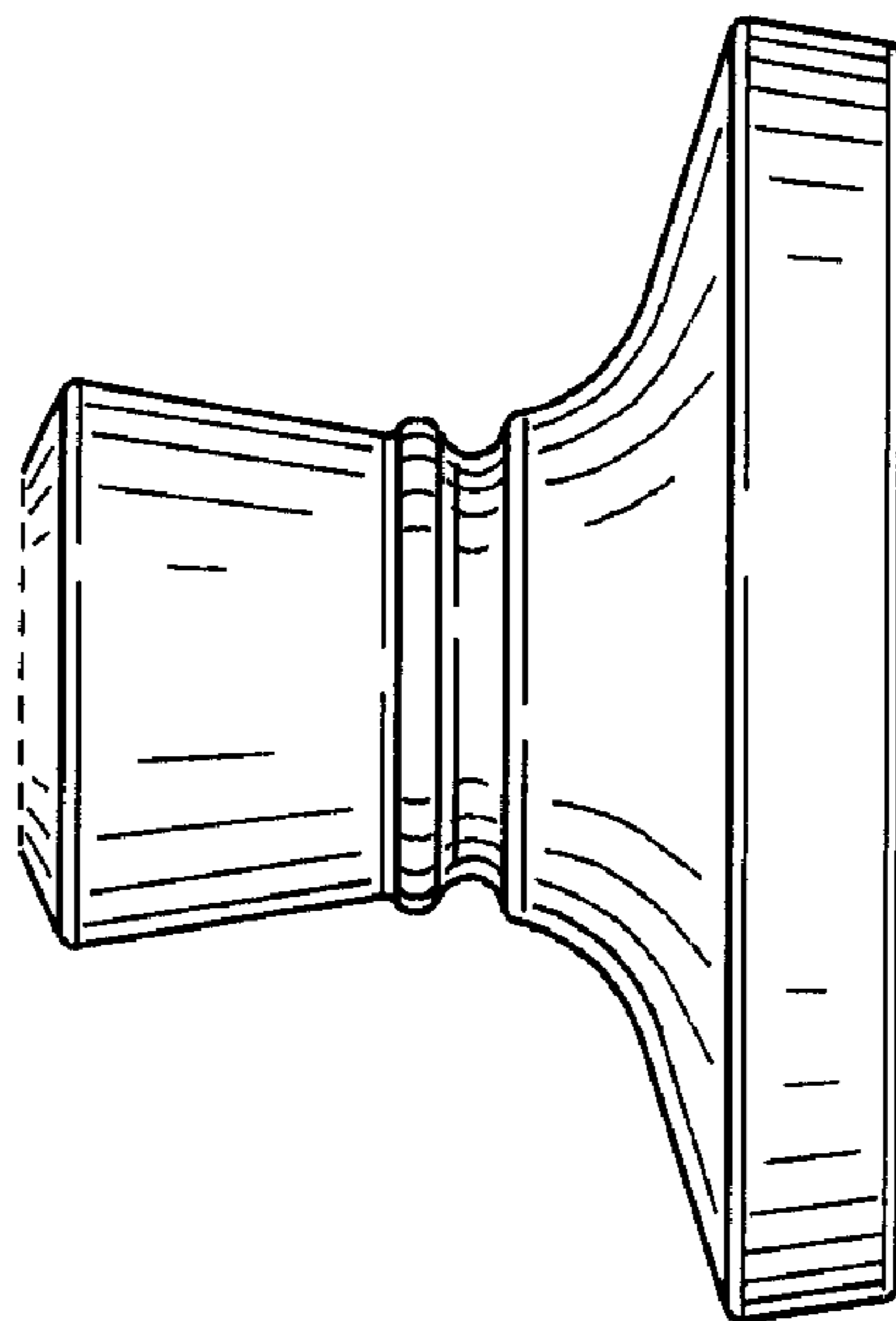
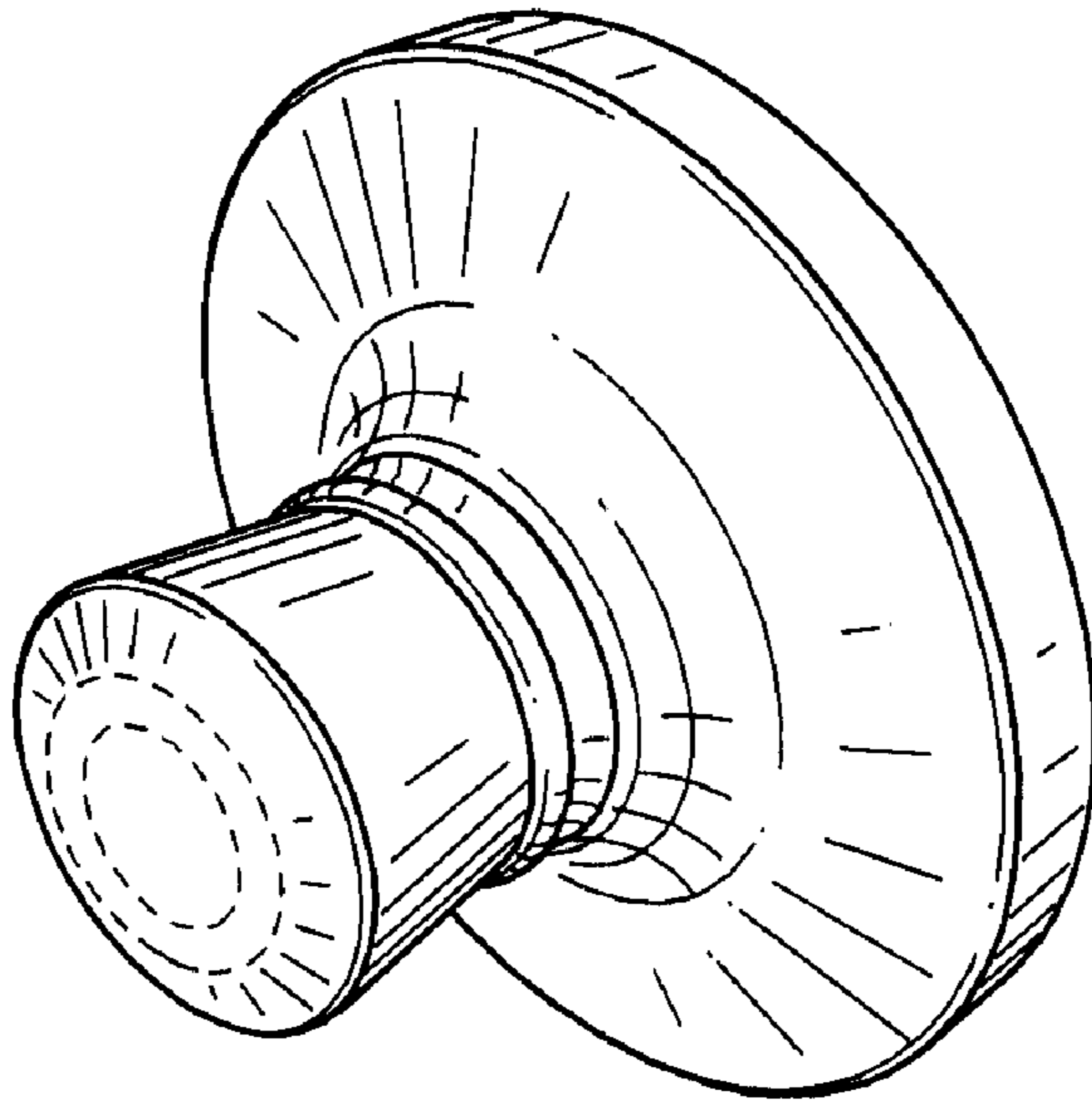


FIG. 2

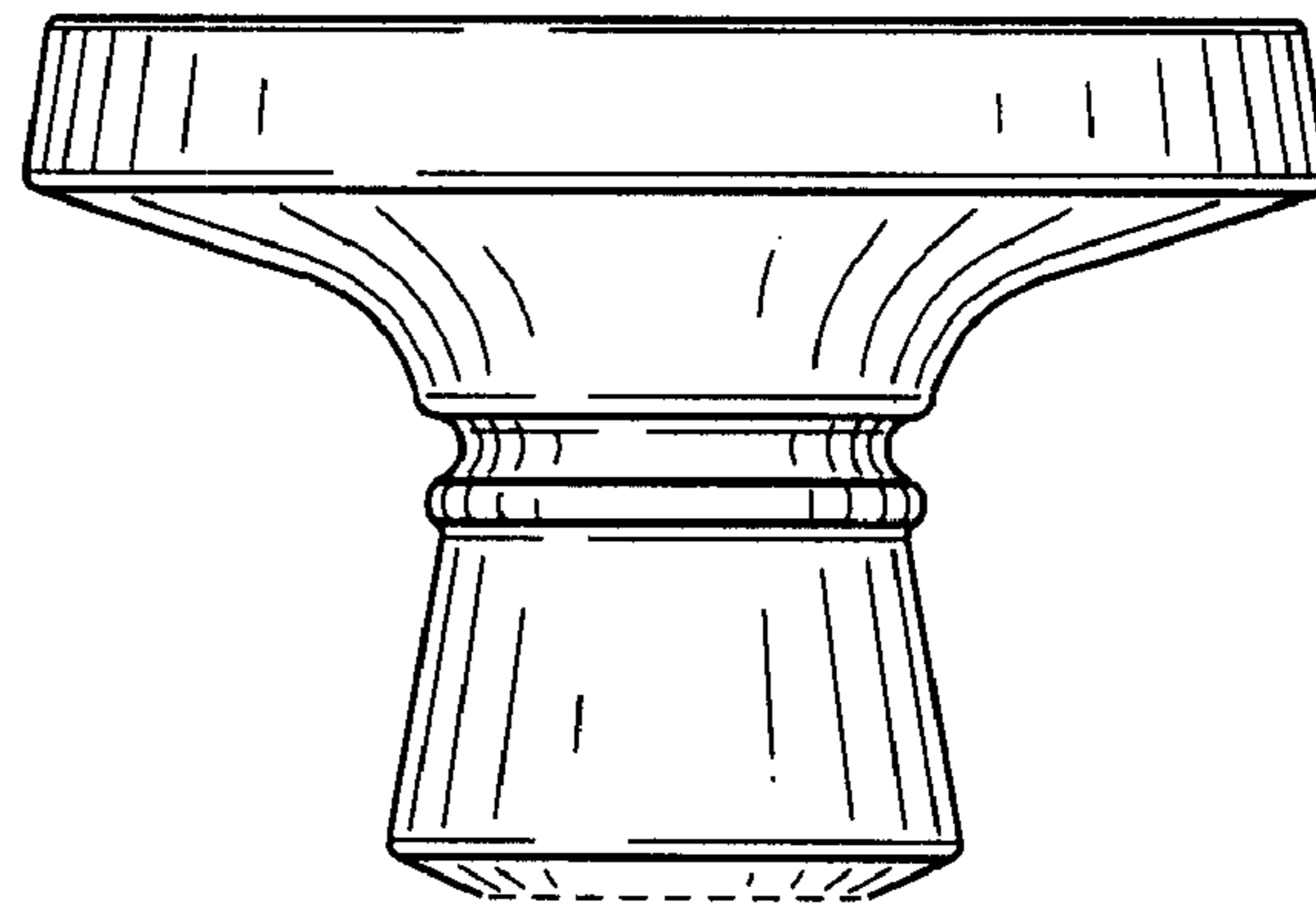


FIG. 3

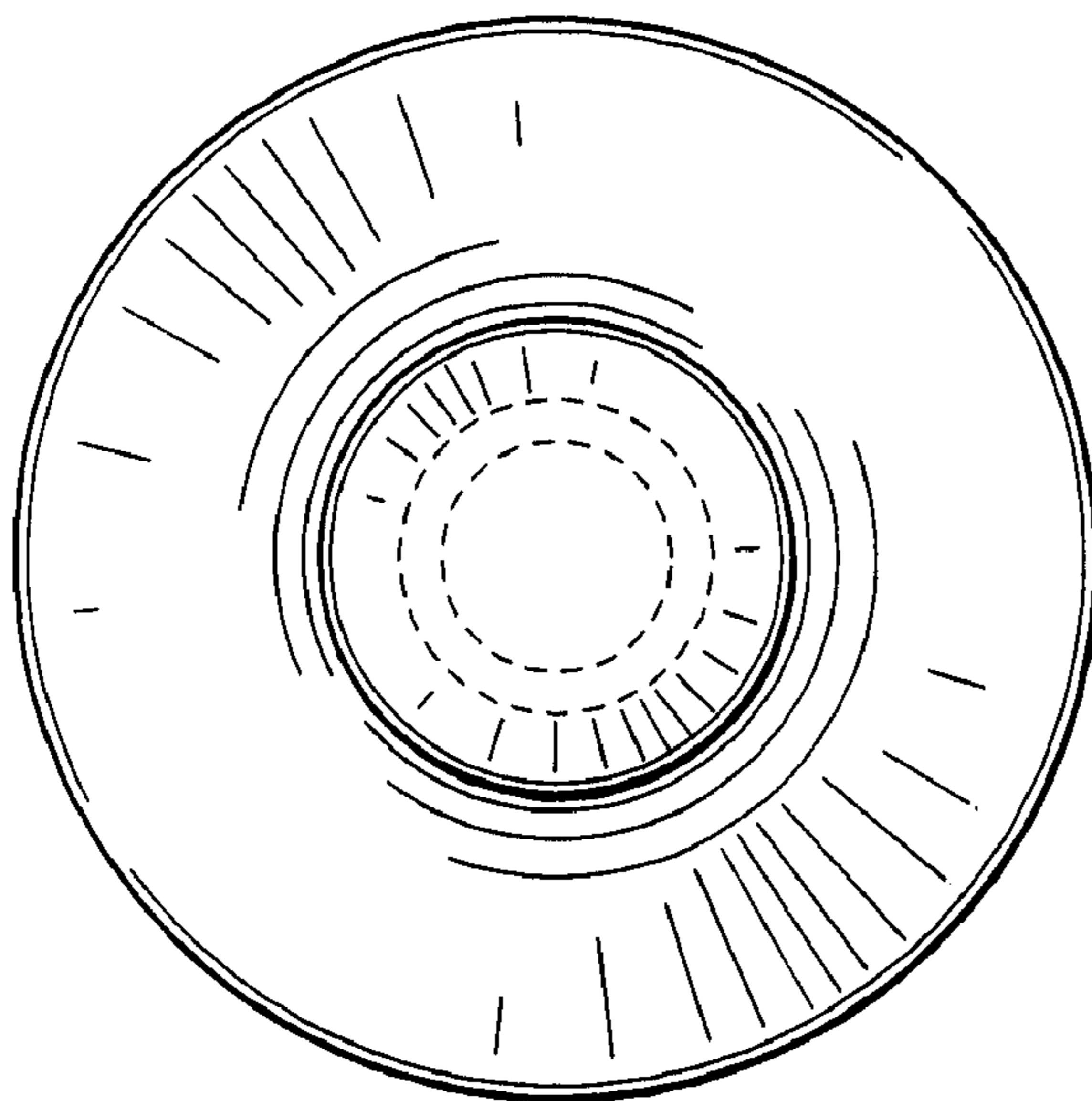


FIG. 4

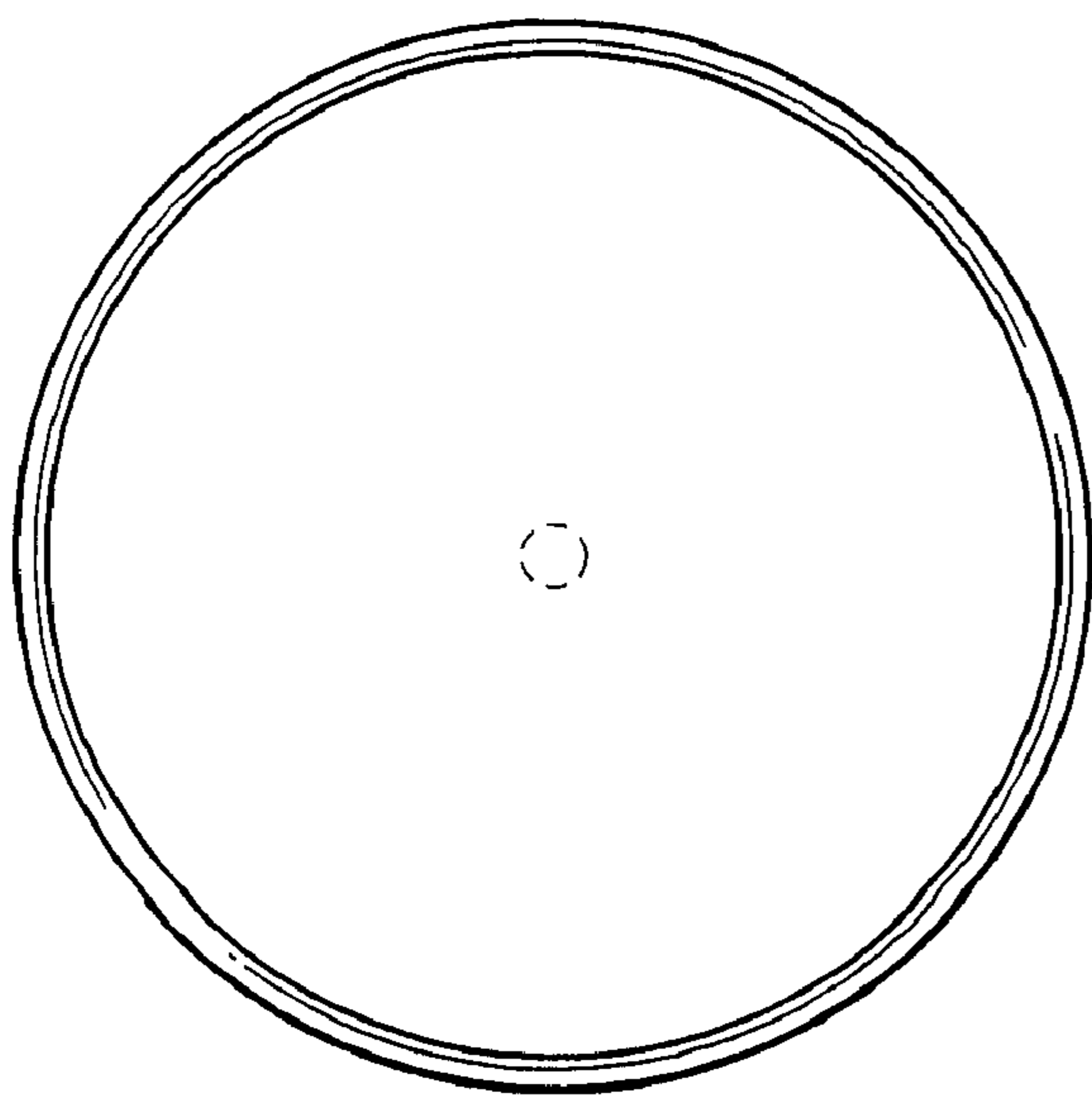
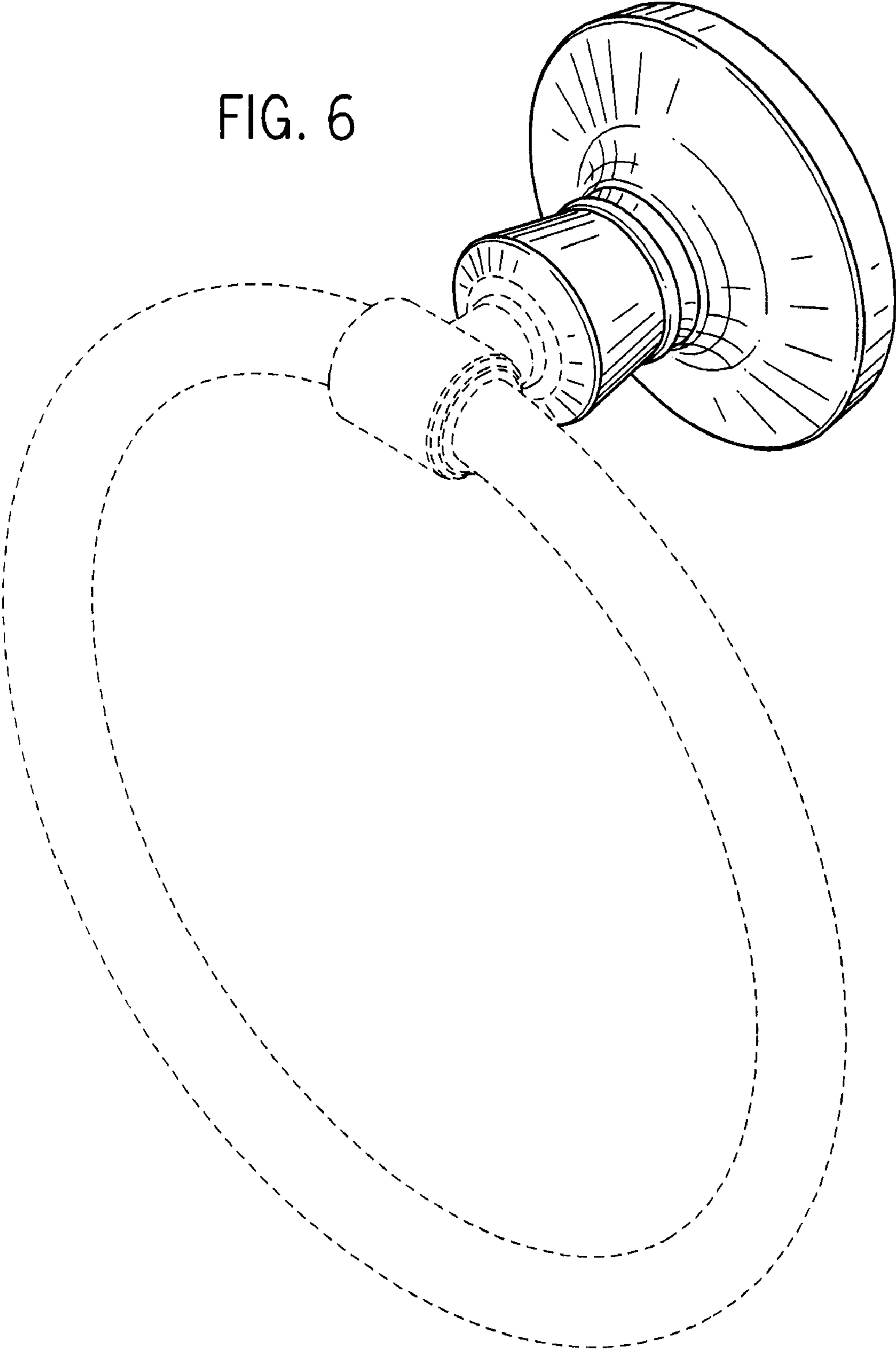


FIG. 5



FIG. 6



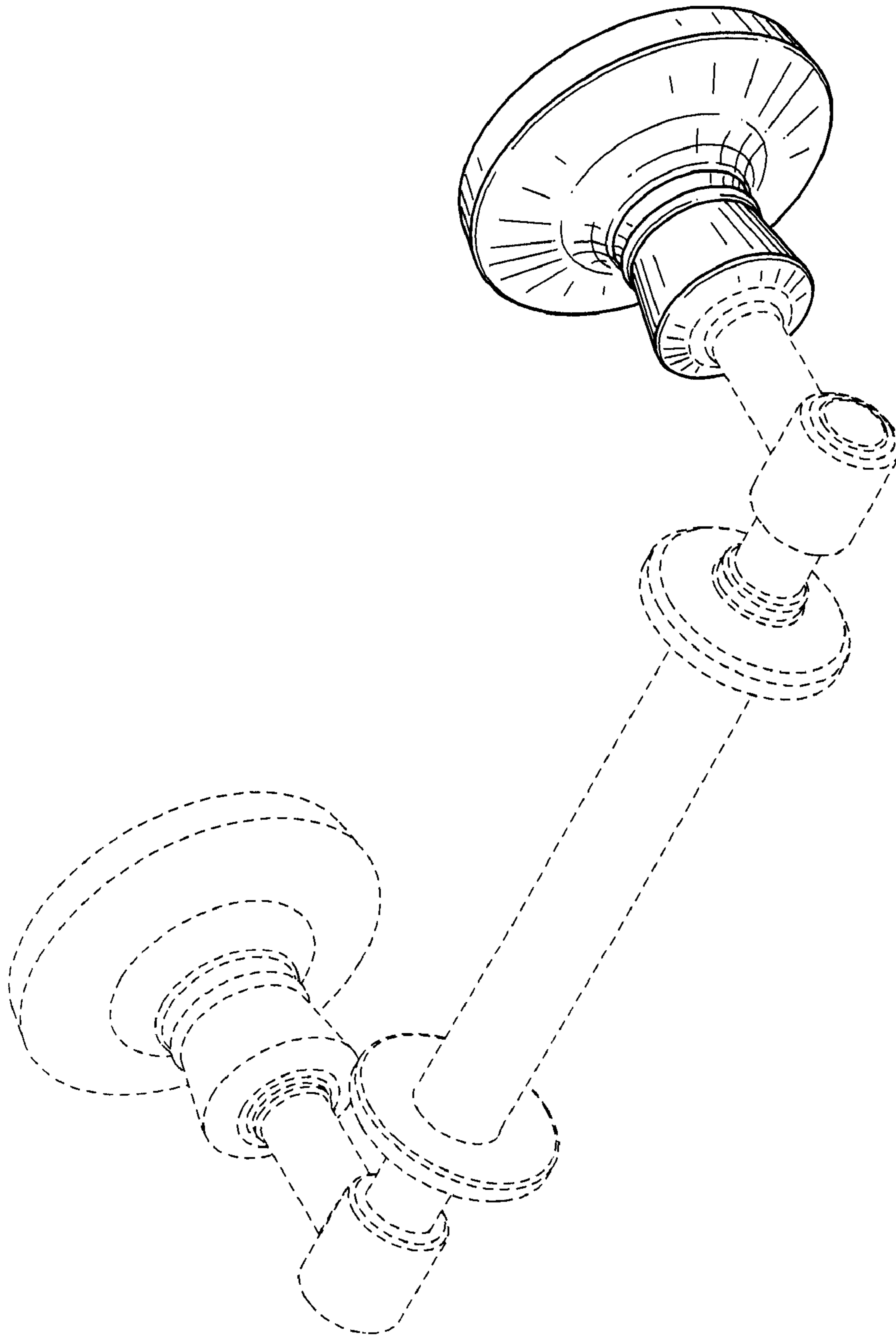


FIG. 7

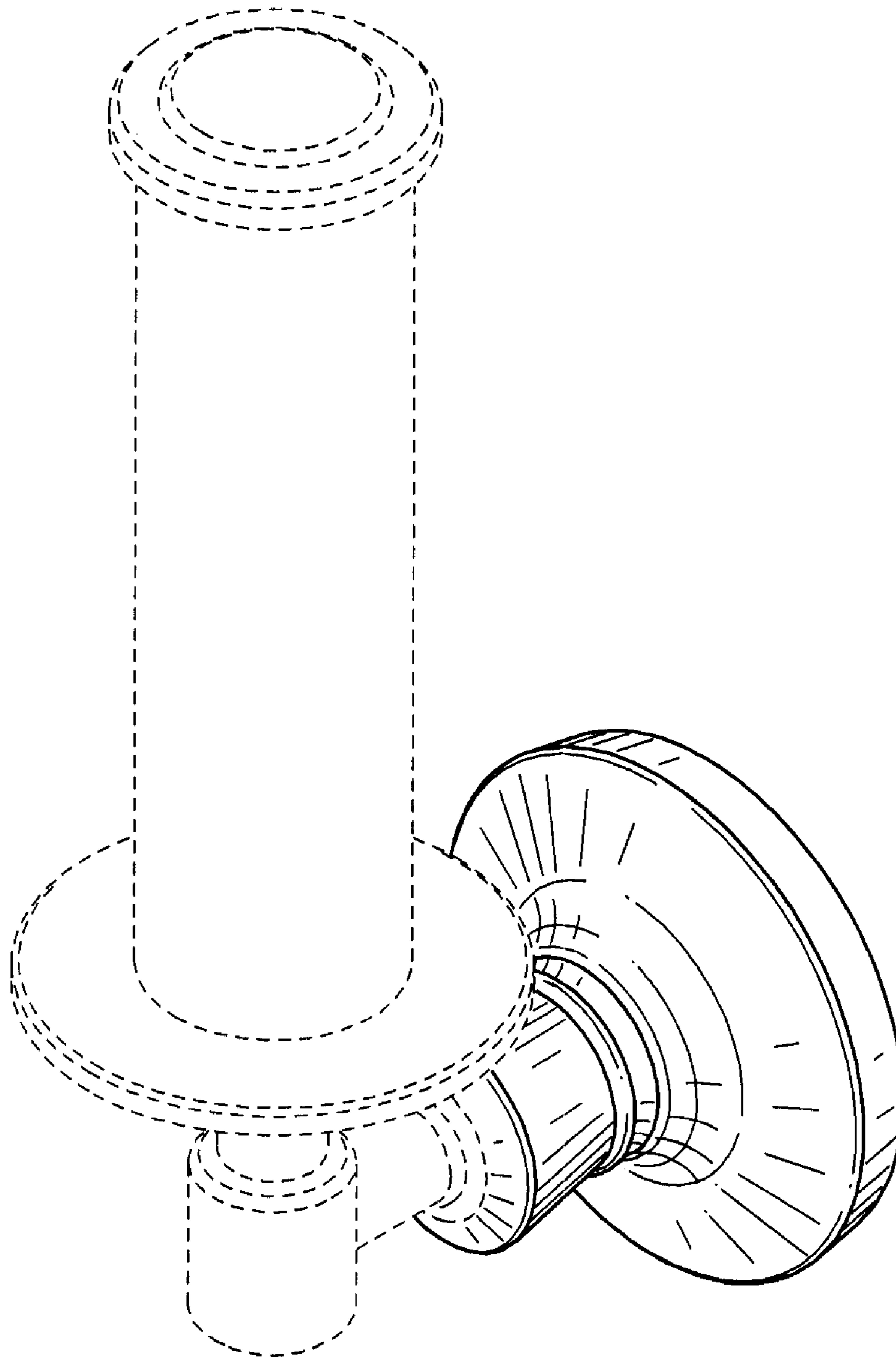


FIG. 8

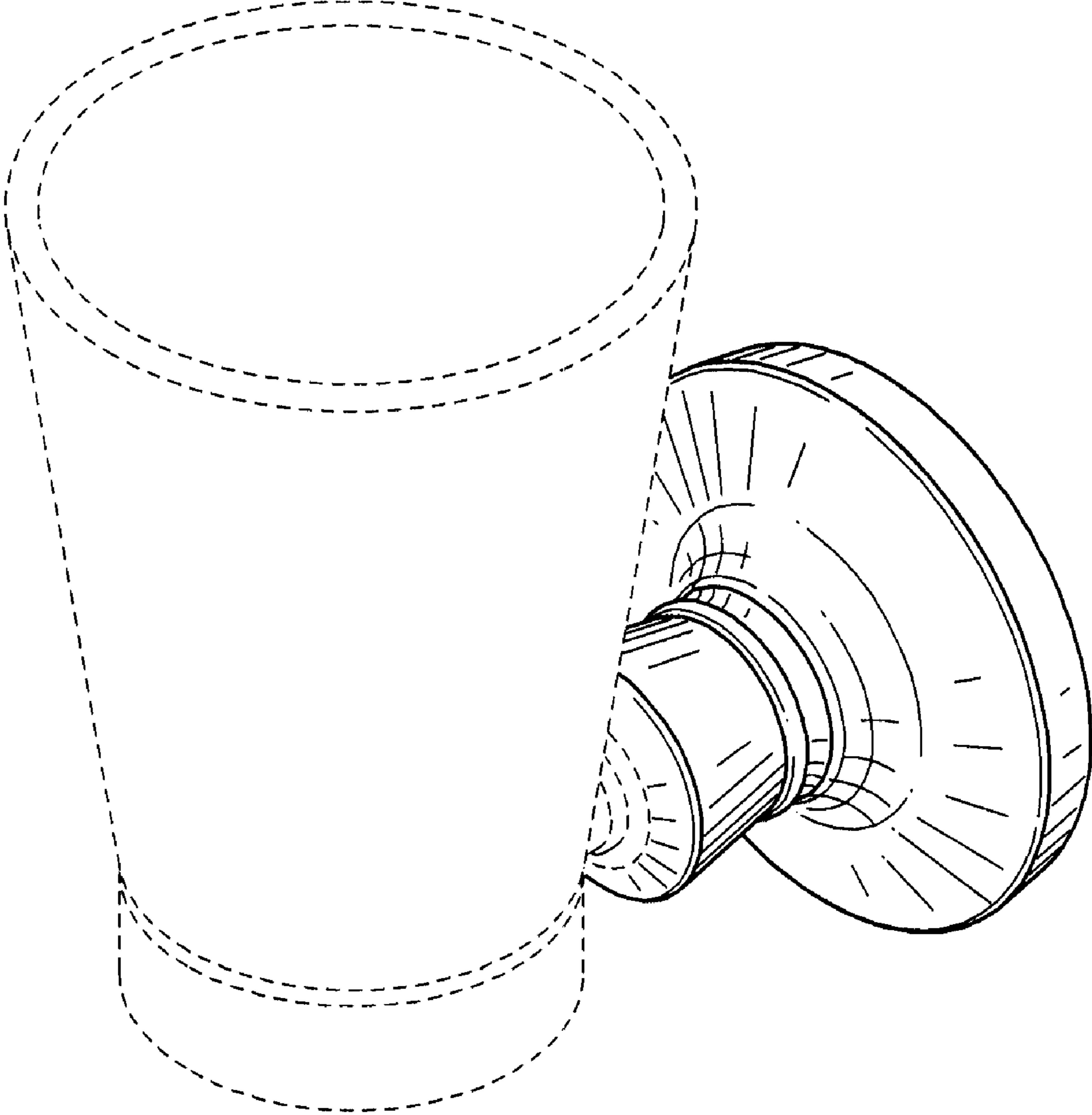


FIG. 9



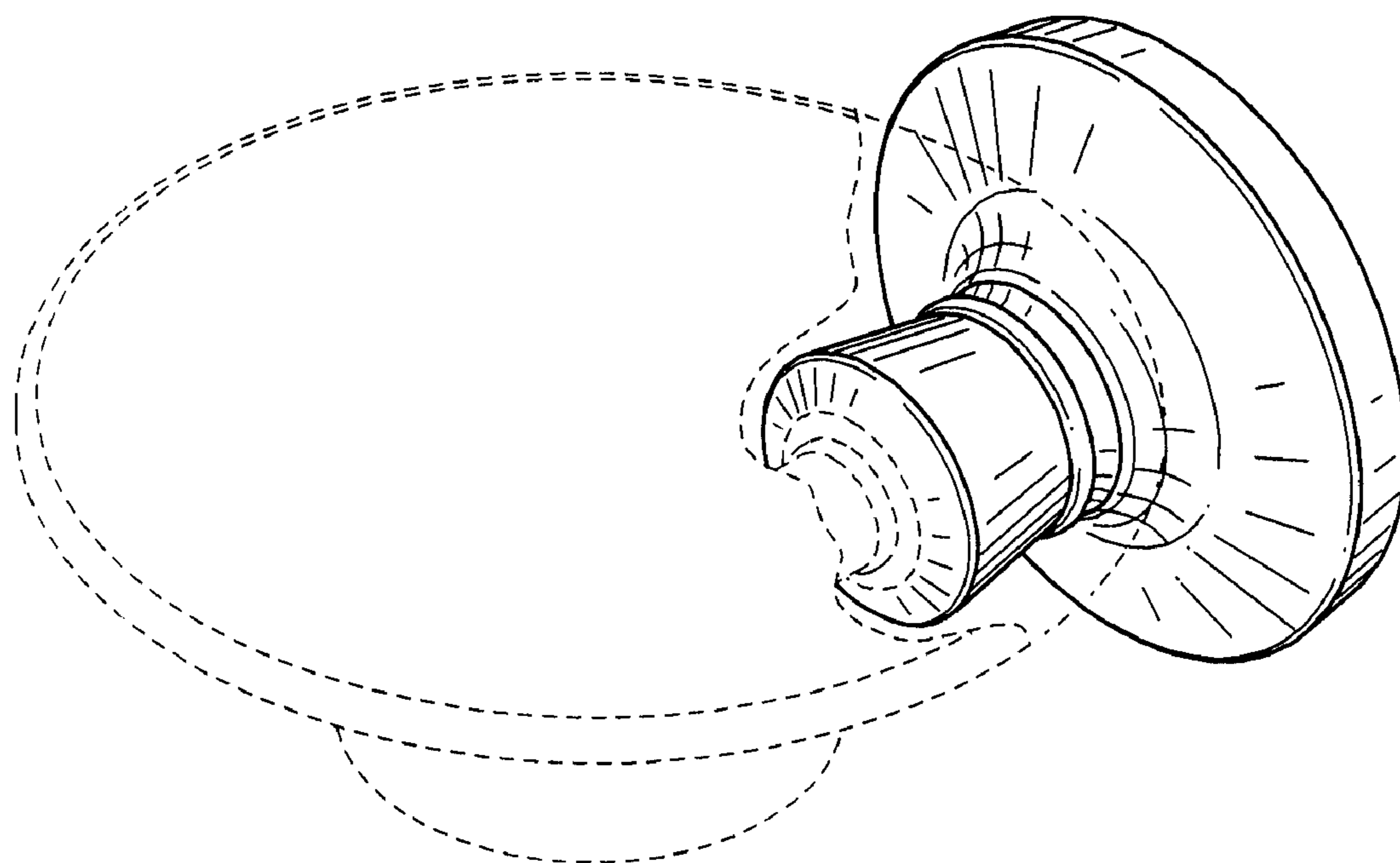


FIG. 10

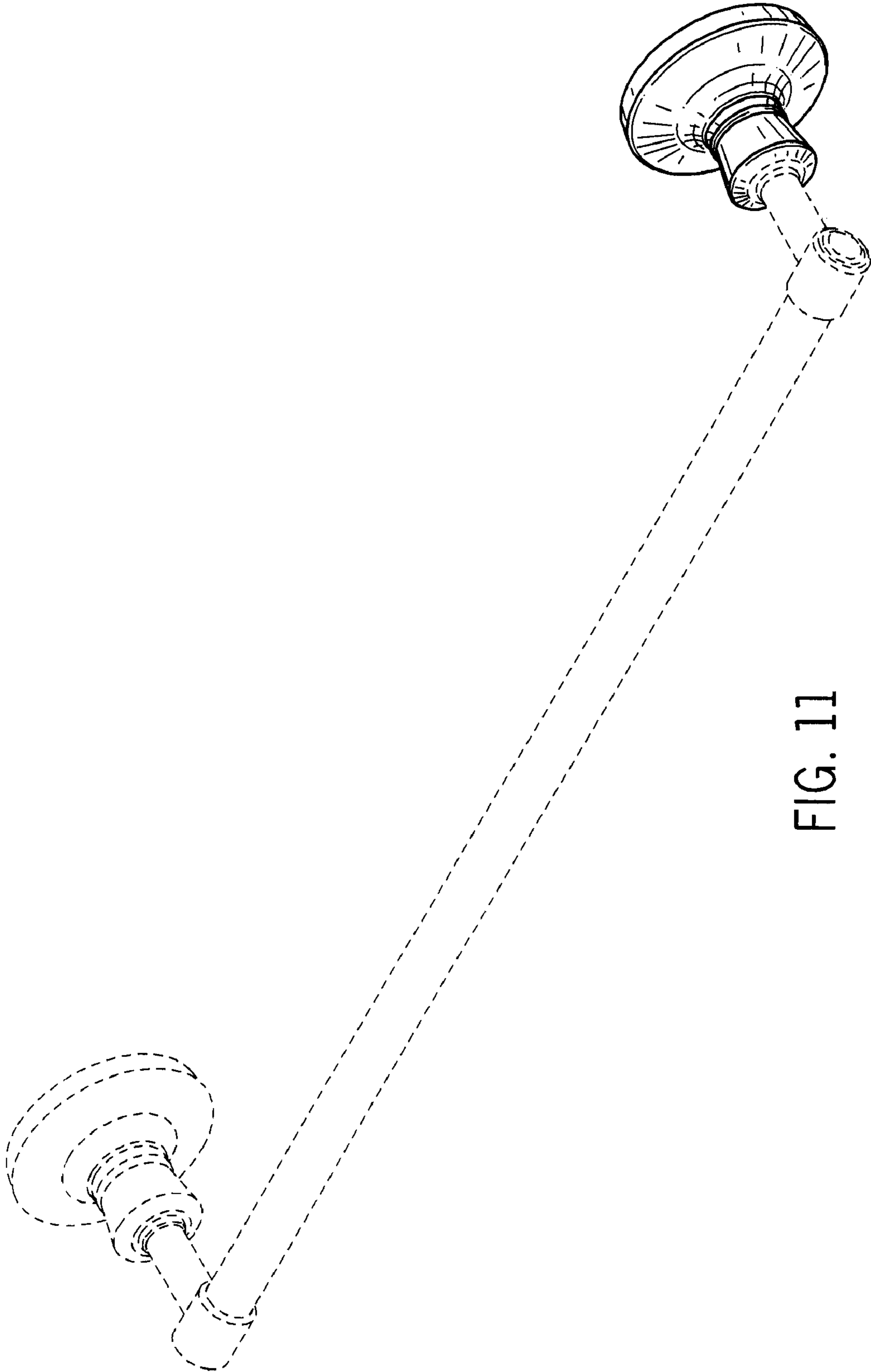


FIG. 11

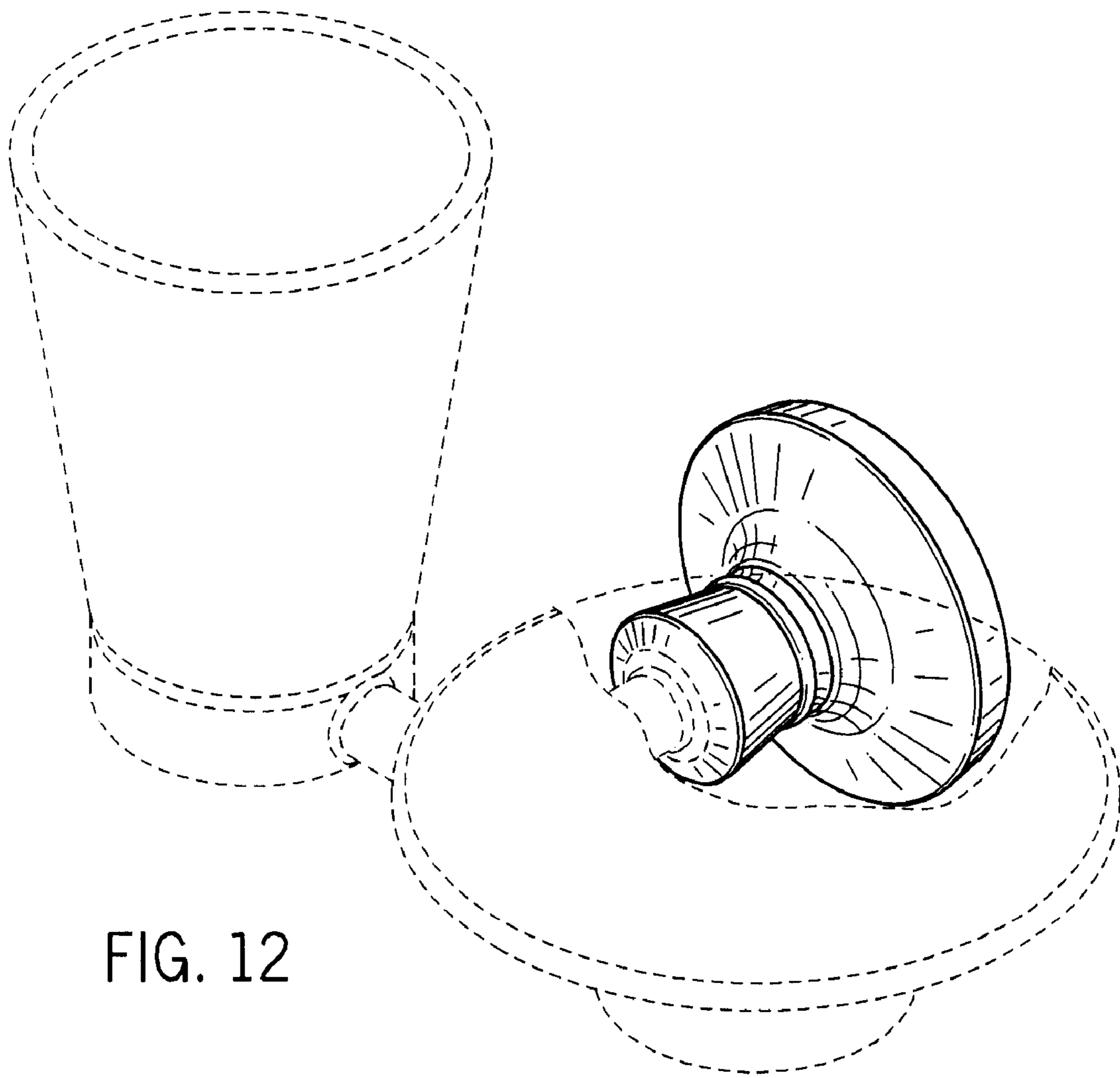


FIG. 12