



US00D555956S

(12) **United States Design Patent**
Salaker

(10) **Patent No.:** **US D555,956 S**

(45) **Date of Patent:** **** Nov. 27, 2007**

(54) **INSERT FOR ROLLS OF TOWELS**

(75) Inventor: **Allan Salaker**, Vikmanshyttan (SE)

(73) Assignee: **SCA Hygiene Products AB**,
Gothenburg (SE)

(**) Term: **14 Years**

(21) Appl. No.: **29/261,060**

(22) Filed: **Jun. 7, 2006**

(30) **Foreign Application Priority Data**

Jul. 12, 2005 (EM) 000456330-0001/0002

(51) **LOC (8) Cl.** **23-02**

(52) **U.S. Cl.** **D6/523**

(58) **Field of Classification Search** D6/518-523;
242/570, 571, 572, 590, 596, 598, 599.1,
242/599.3, 600, 598.3

See application file for complete search history.

(56) **References Cited**

U.S. PATENT DOCUMENTS

2,522,109 A * 9/1950 Foltis 242/599.3

D296,963 S * 8/1988 Smallwood D6/523

D324,618 S * 3/1992 Morand D6/523

5,340,047 A * 8/1994 Heller 242/599.1

D405,305 S * 2/1999 Hobgood D6/523

D422,819 S * 4/2000 Fong D6/523

D427,828 S * 7/2000 Senecal, Jr. D6/523

* cited by examiner

Primary Examiner—Brian N Vinson

(74) *Attorney, Agent, or Firm*—Young & Thompson

(57) **CLAIM**

The ornamental design for an insert for rolls of towels, as shown and described.

DESCRIPTION

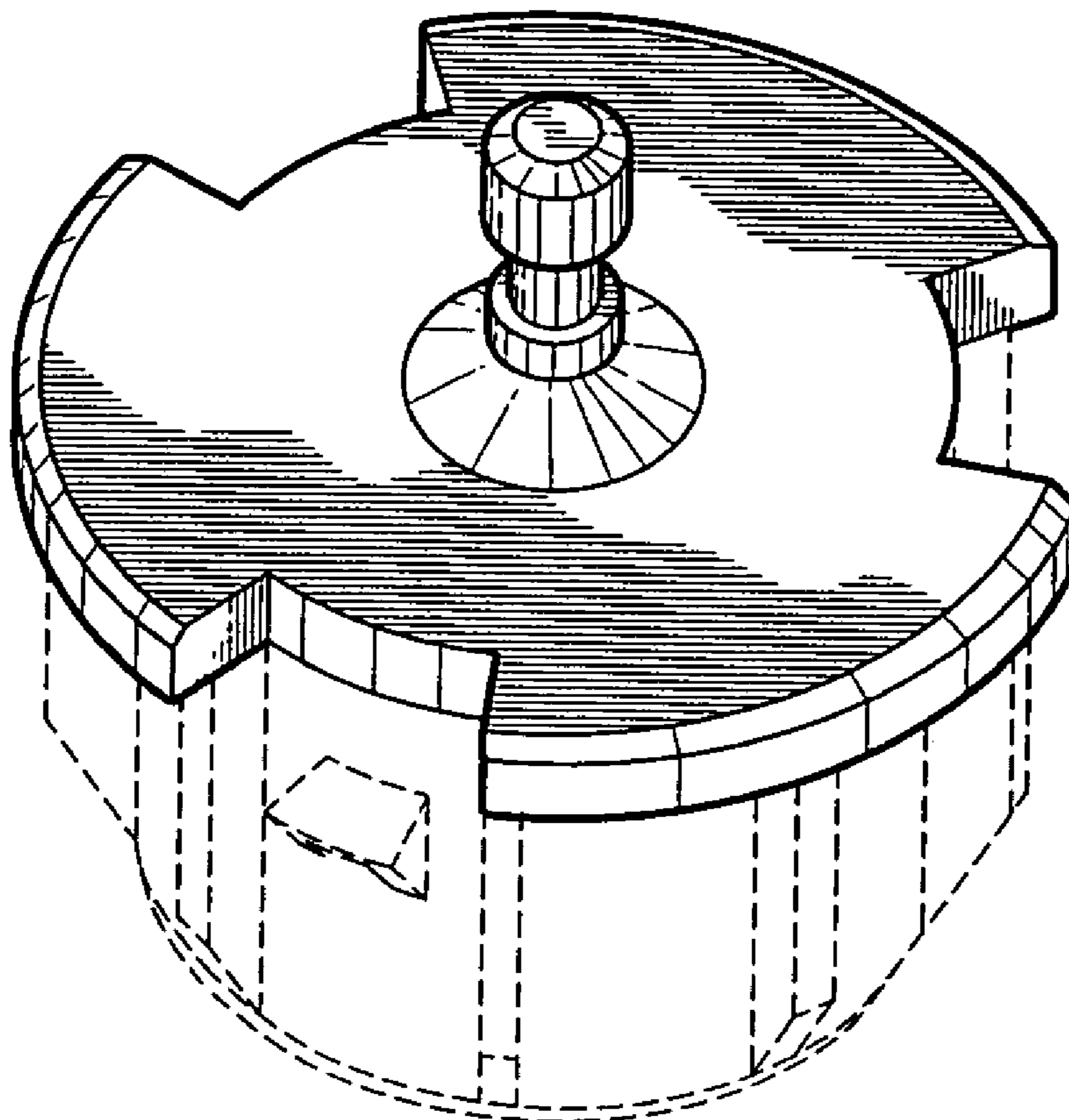
FIG. 1 is a top and side perspective view of an insert for rolls of towels, showing my new design; and,

FIG. 2 is a side elevational view thereof.

When the device whose design is claimed is rotated 120° in either direction about a vertical axis, the appearance thereof is identical to the views shown in FIGS. 1 and 2.

The broken line showing is for illustrative purposes only and forms no part of the claimed design.

1 Claim, 1 Drawing Sheet



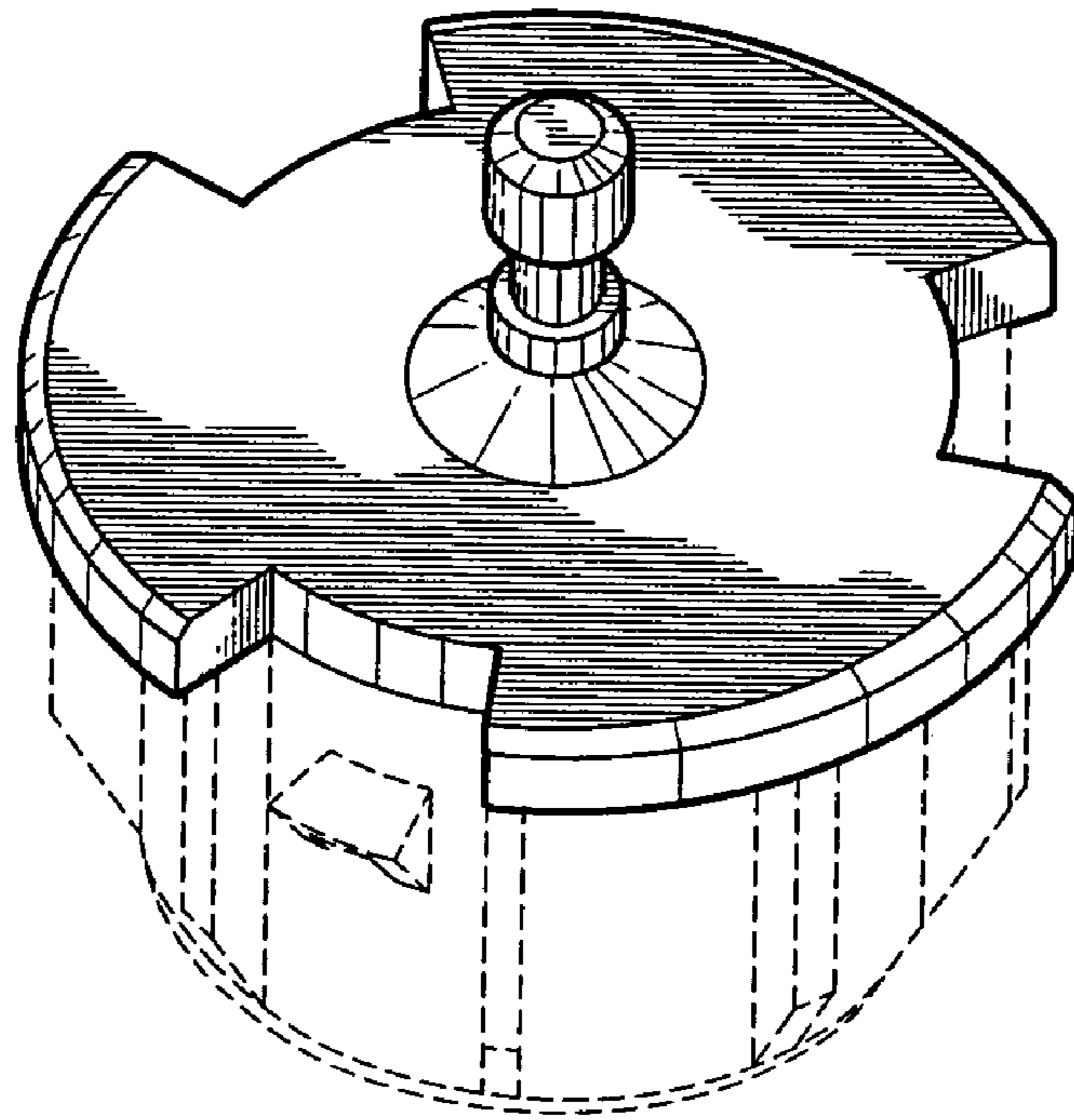


FIG. 1

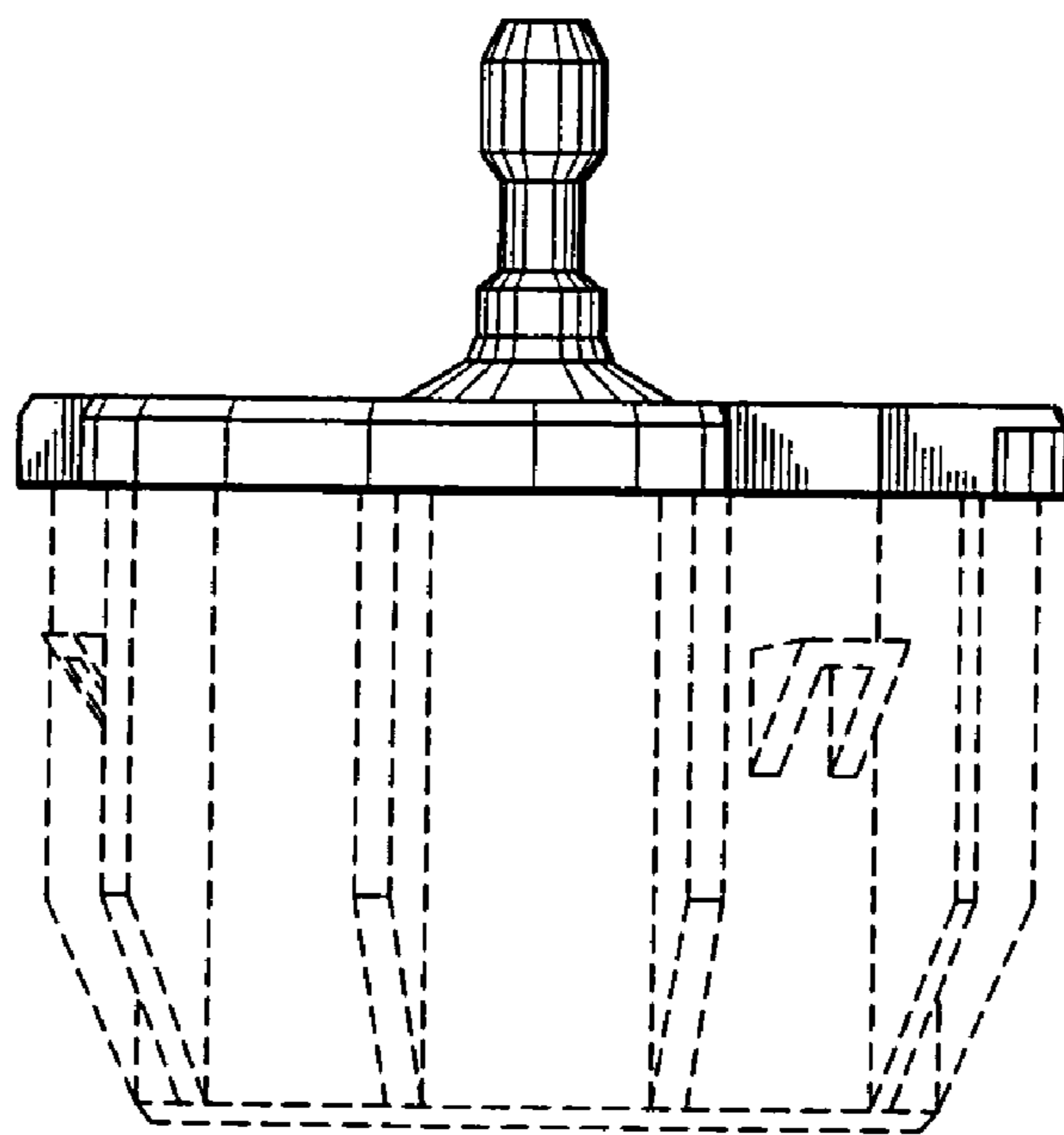


FIG. 2