



US00D555952S

(12) **United States Design Patent**
Colmenares

(10) **Patent No.:** **US D555,952 S**

(45) **Date of Patent:** **** Nov. 27, 2007**

(54) **FURNITURE SEMI-CIRCULAR TRAY**

(75) Inventor: **Elias A. Colmenares**, Caracas (VE)

(73) Assignee: **V.A. Disenos Alternativos, C.A.**,
Caracas (VE)

(**) Term: **14 Years**

(21) Appl. No.: **29/253,299**

(22) Filed: **Feb. 3, 2006**

(30) **Foreign Application Priority Data**

Aug. 4, 2005 (VE) 05-1579

(51) **LOC (8) Cl.** **06-06**

(52) **U.S. Cl.** **D6/511**

(58) **Field of Classification Search** D6/567,
D6/574, 491, 509, 511; 108/27, 59; 211/71.01,
211/72, 88.01, 90.01, 126.1, 134
See application file for complete search history.

(56) **References Cited**

U.S. PATENT DOCUMENTS

- 4,666,118 A 5/1987 Busche
- 4,798,413 A 1/1989 Capelli
- 5,715,760 A 2/1998 Frascaroli et al.
- 5,813,178 A 9/1998 Edwards
- D431,403 S * 10/2000 Ford D6/511

- 6,290,075 B1 9/2001 Cheimets et al.
- D449,819 S 10/2001 Gershfeld
- 6,601,815 B2 8/2003 Thompson
- D510,220 S * 10/2005 Sandy D6/511
- D521,286 S * 5/2006 Colmenares D6/511
- D525,059 S * 7/2006 Golias et al. D6/511
- D529,737 S * 10/2006 Terada D6/511
- D541,563 S * 5/2007 LaBonia et al. D6/511

* cited by examiner

Primary Examiner—Brian N Vinson

(74) *Attorney, Agent, or Firm*—Merchant & Gould P.C.

(57) **CLAIM**

The ornamental design for furniture semi-circular tray, as shown and described.

DESCRIPTION

FIG. 1 is a top view of a furniture semi-circular tray;
 FIG. 2 is a front view of a furniture semi-circular tray thereof;
 FIG. 3 is a right side view of a furniture semi-circular tray thereof;
 FIG. 4 is a left side view of a furniture semi-circular tray thereof; and,
 FIG. 5 is a perspective view of a furniture semi-circular tray thereof.

1 Claim, 2 Drawing Sheets

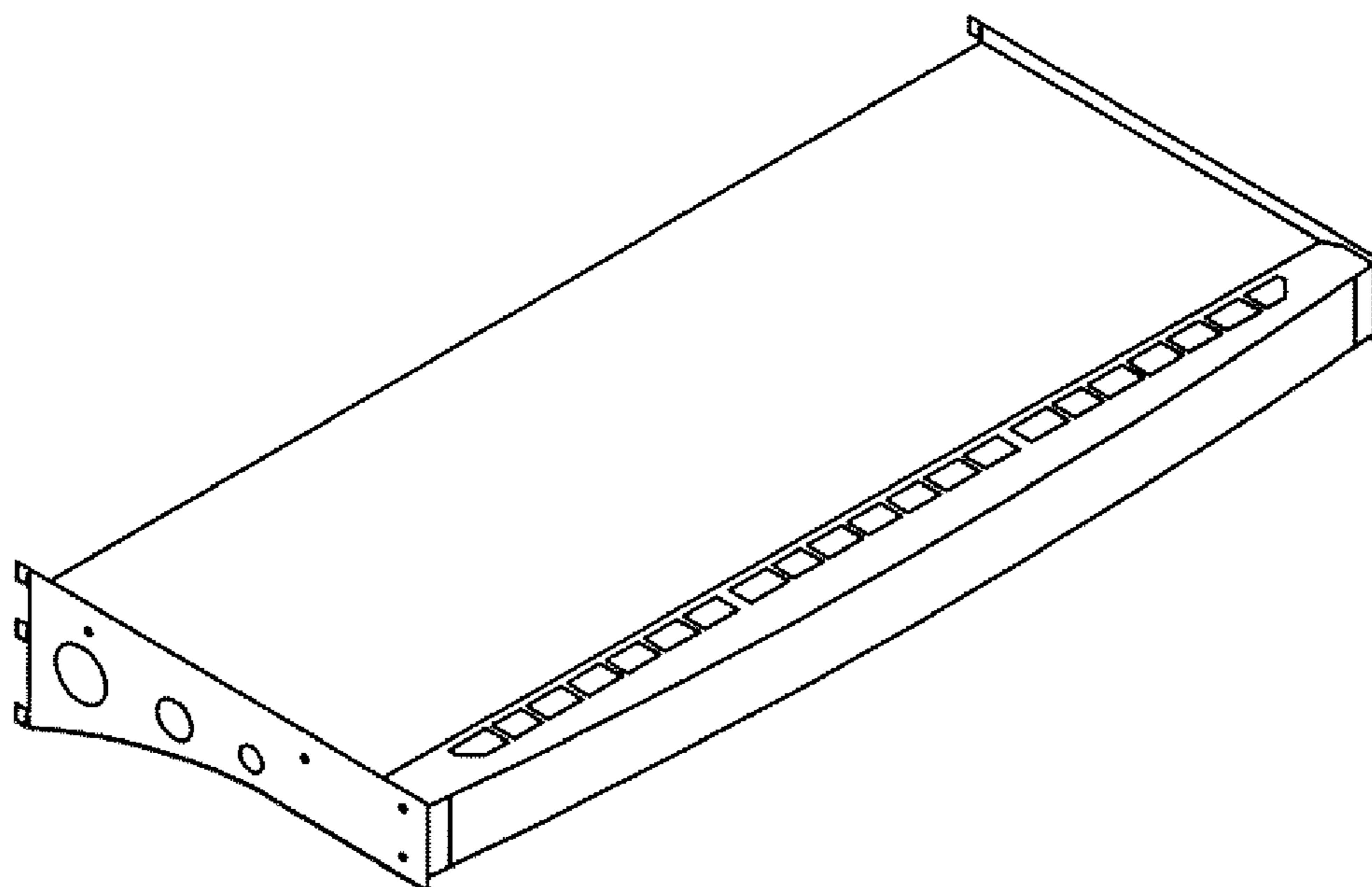


FIG. 1

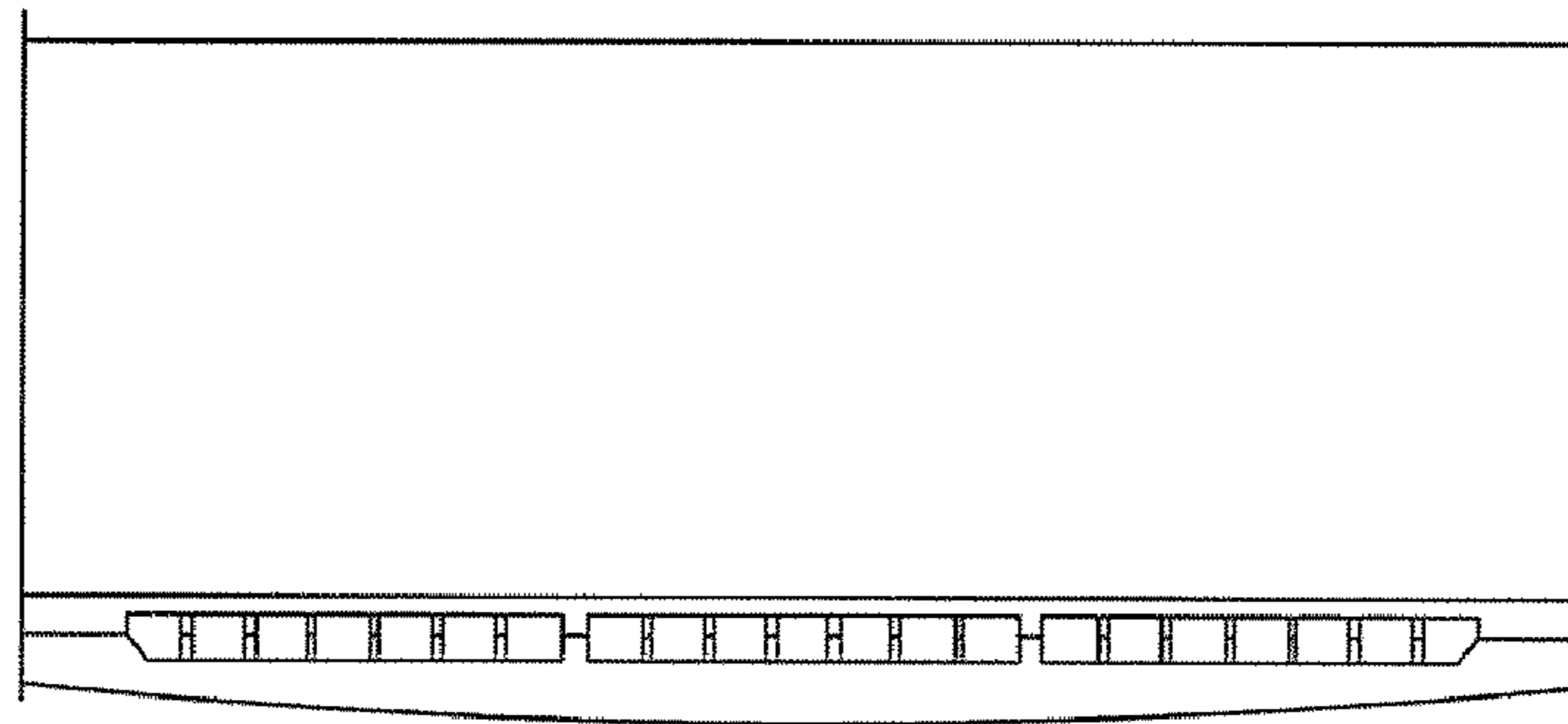


FIG. 2

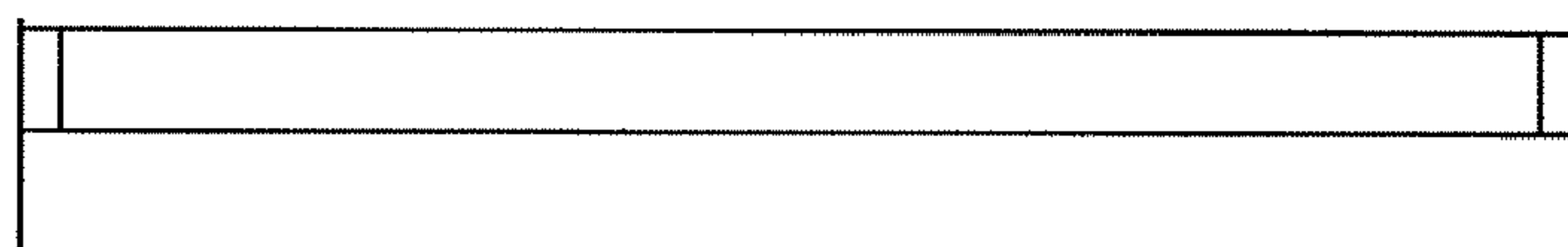


FIG. 3

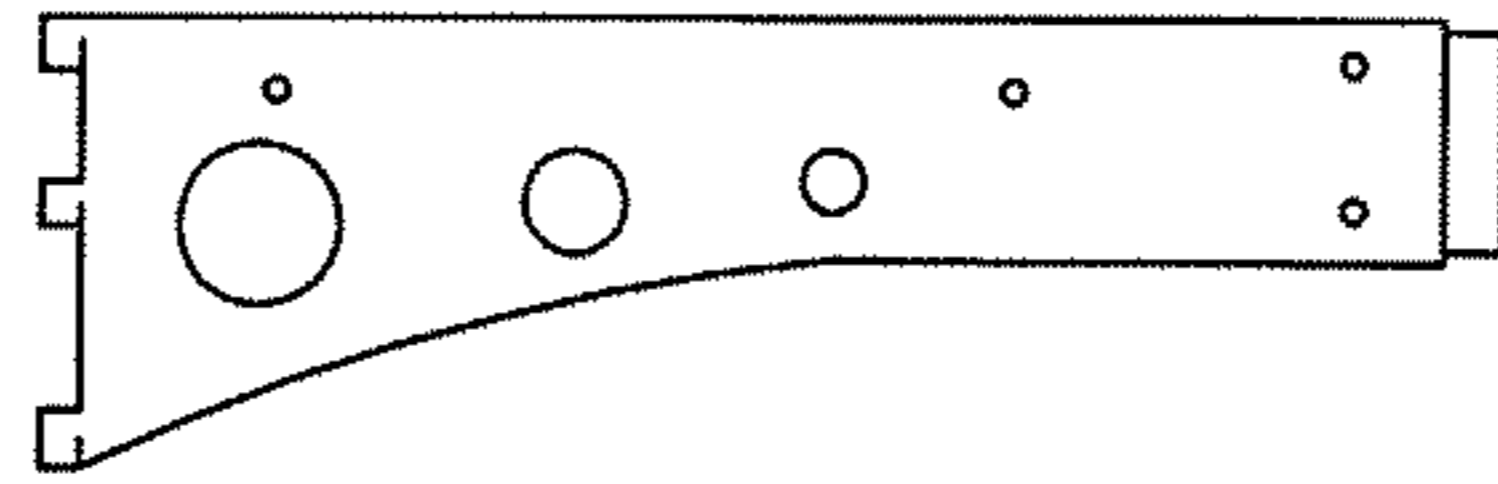


FIG. 4

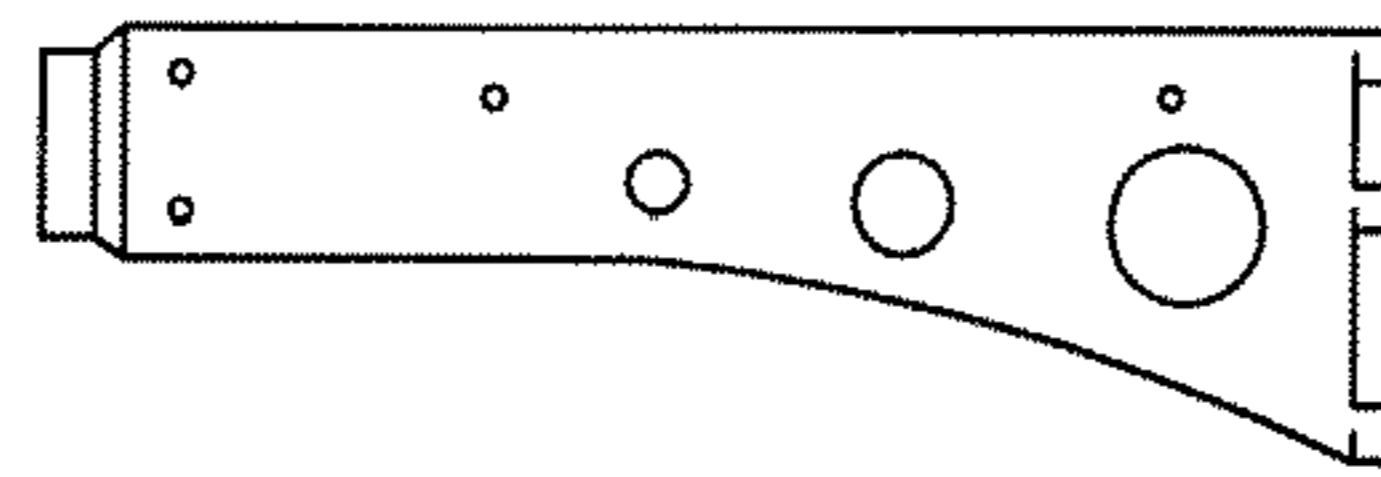


FIG. 5

