



US00D555951S

(12) **United States Design Patent** (10) **Patent No.:** **US D555,951 S**
Kim (45) **Date of Patent:** **** Nov. 27, 2007**

(54) **PAIR OF SLOTS FOR MULTIMEDIA FURNITURE**

2003/0226851 A1* 12/2003 Antebi 221/47

* cited by examiner

(75) Inventor: **Hyung J. Kim**, Lynnwood, WA (US)

Primary Examiner—Cathron C. Brooks

(73) Assignee: **Slam Brands, Inc.**, Redmond, WA (US)

Assistant Examiner—Kelley A. Donnelly

(**) Term: **14 Years**

(74) *Attorney, Agent, or Firm*—Amin, Turocy & Calvin, LLP; Thomas E. Watson

(21) Appl. No.: **29/247,507**

(57) **CLAIM**

(22) Filed: **Jun. 22, 2006**

The ornamental design for a pair of slots for multimedia furniture, as shown.

(51) **LOC (8) Cl.** **06-06**

(52) **U.S. Cl.** **D6/509**

(58) **Field of Classification Search** D6/462,
D6/466, 491–492, 494, 509, 518, 522, 408,
D6/561, 416–417, 438, 434, 630–632; 221/45,
221/47, 48, 53

See application file for complete search history.

DESCRIPTION

FIG. 1 is a perspective view of a pair of slots for multimedia furniture;

FIG. 2 is a front view of the pair of slots for multimedia furniture shown in FIG. 1;

FIG. 3 is a side view of the pair of slots for multimedia furniture shown in FIG. 1;

FIG. 4 is a top view of the pair of slots for multimedia furniture shown in FIG. 1; and,

FIG. 5 is a bottom view of the pair of slots for multimedia furniture shown in FIG. 1.

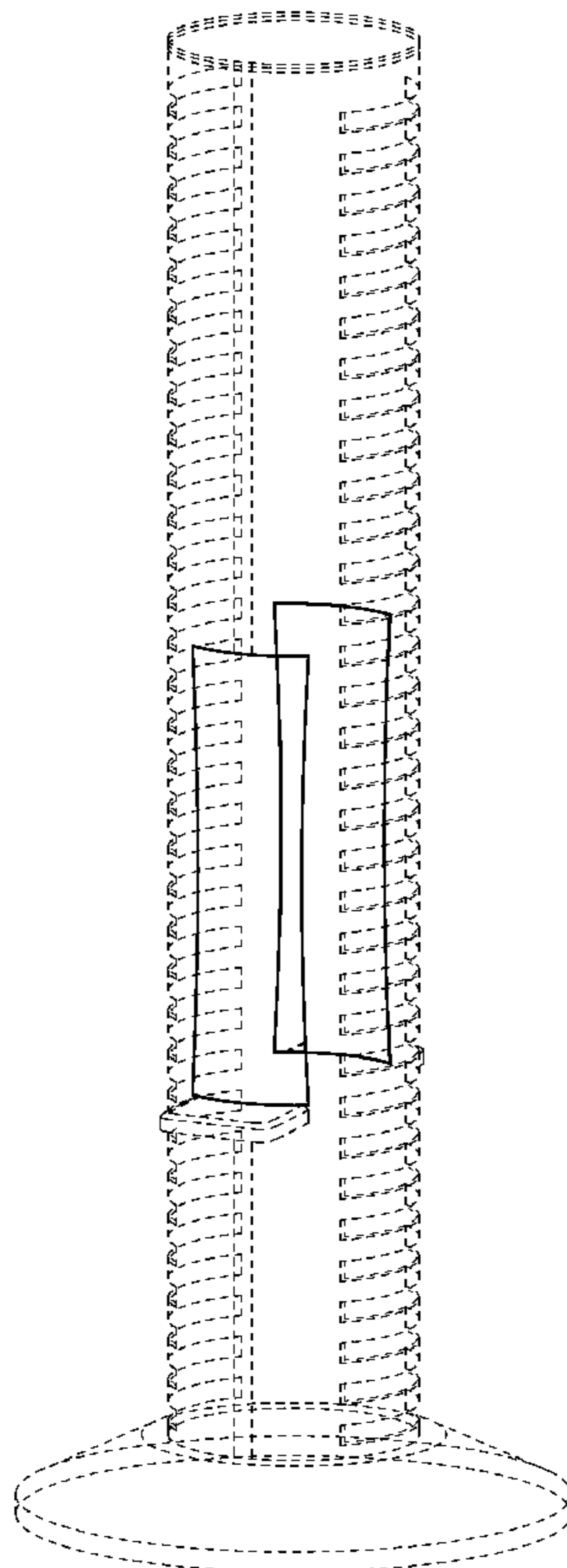
The dashed lines in the drawings represent environmental furniture and form no part of the claimed design.

(56) **References Cited**

U.S. PATENT DOCUMENTS

D257,773 S *	1/1981	Loper et al.	D14/128
D294,897 S *	3/1988	Wenkman	D6/448
D349,618 S *	8/1994	Barfield	D6/482
5,836,478 A *	11/1998	Weiss	221/309
D493,312 S *	7/2004	Collins et al.	D6/518
D496,271 S *	9/2004	Hoeltgen	D9/424
D506,364 S *	6/2005	Pratt	D7/701
D512,283 S *	12/2005	Pratt	D7/708

1 Claim, 4 Drawing Sheets



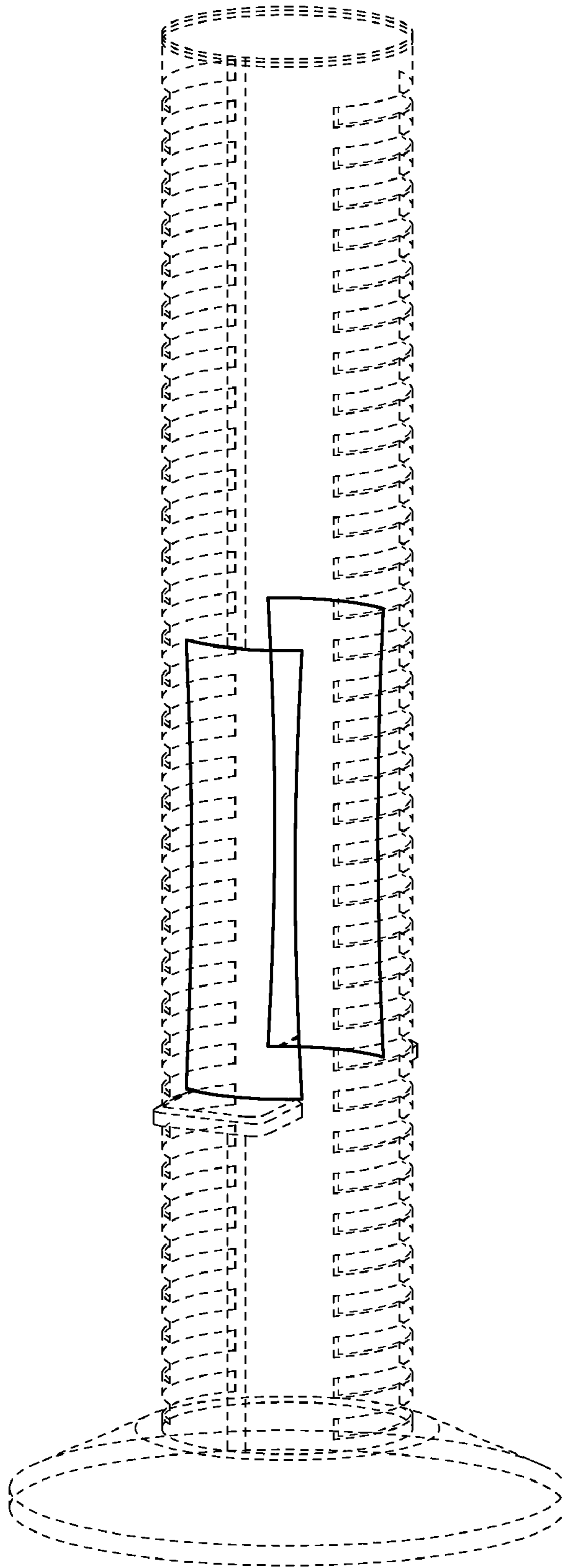


Fig. 1

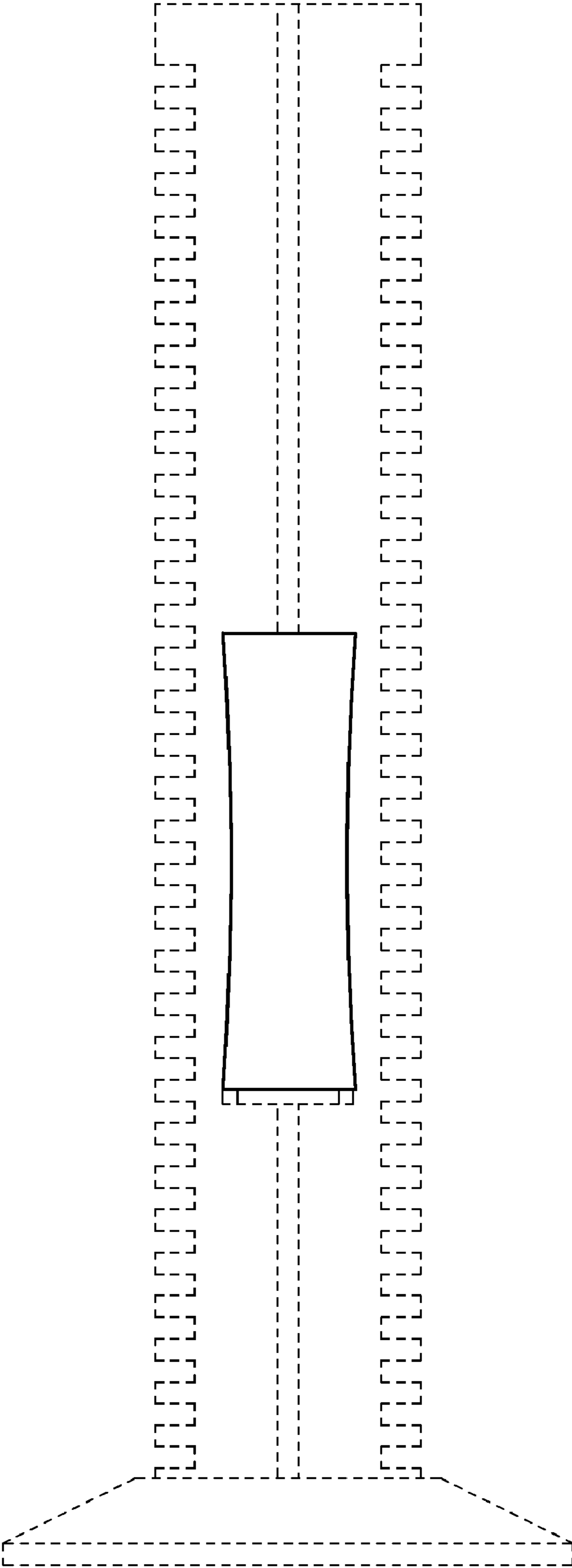


Fig. 2

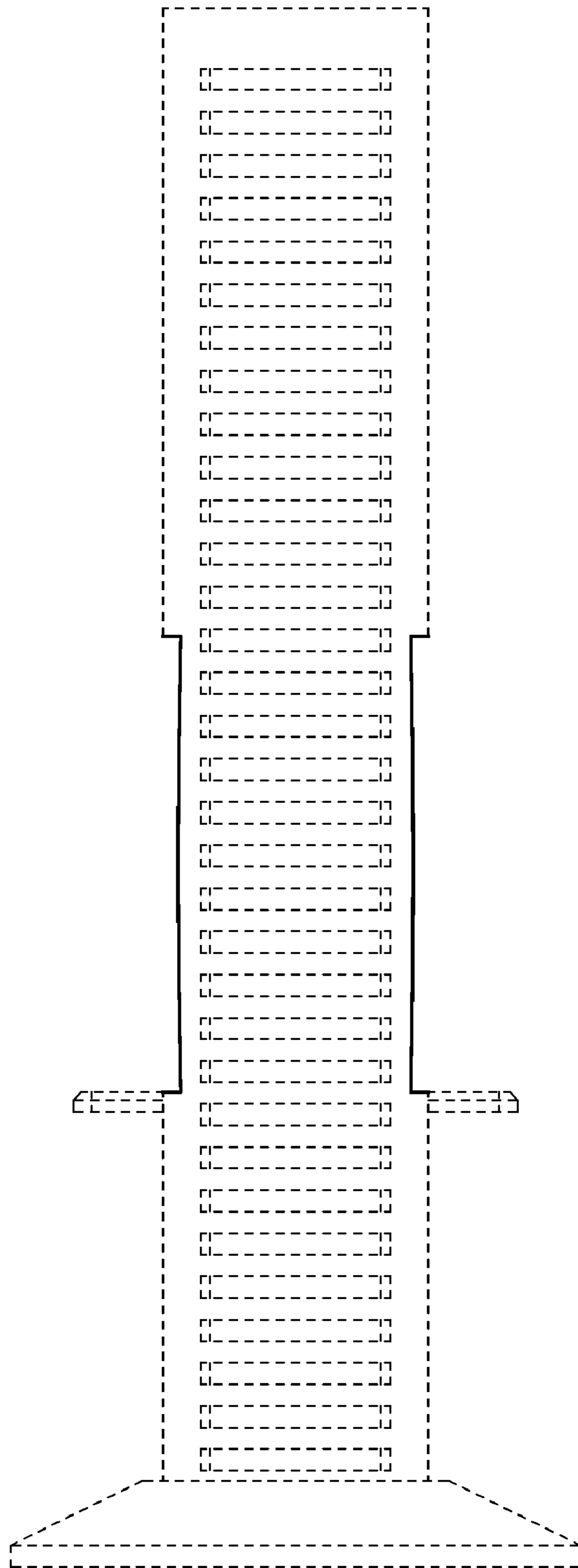


Fig. 3

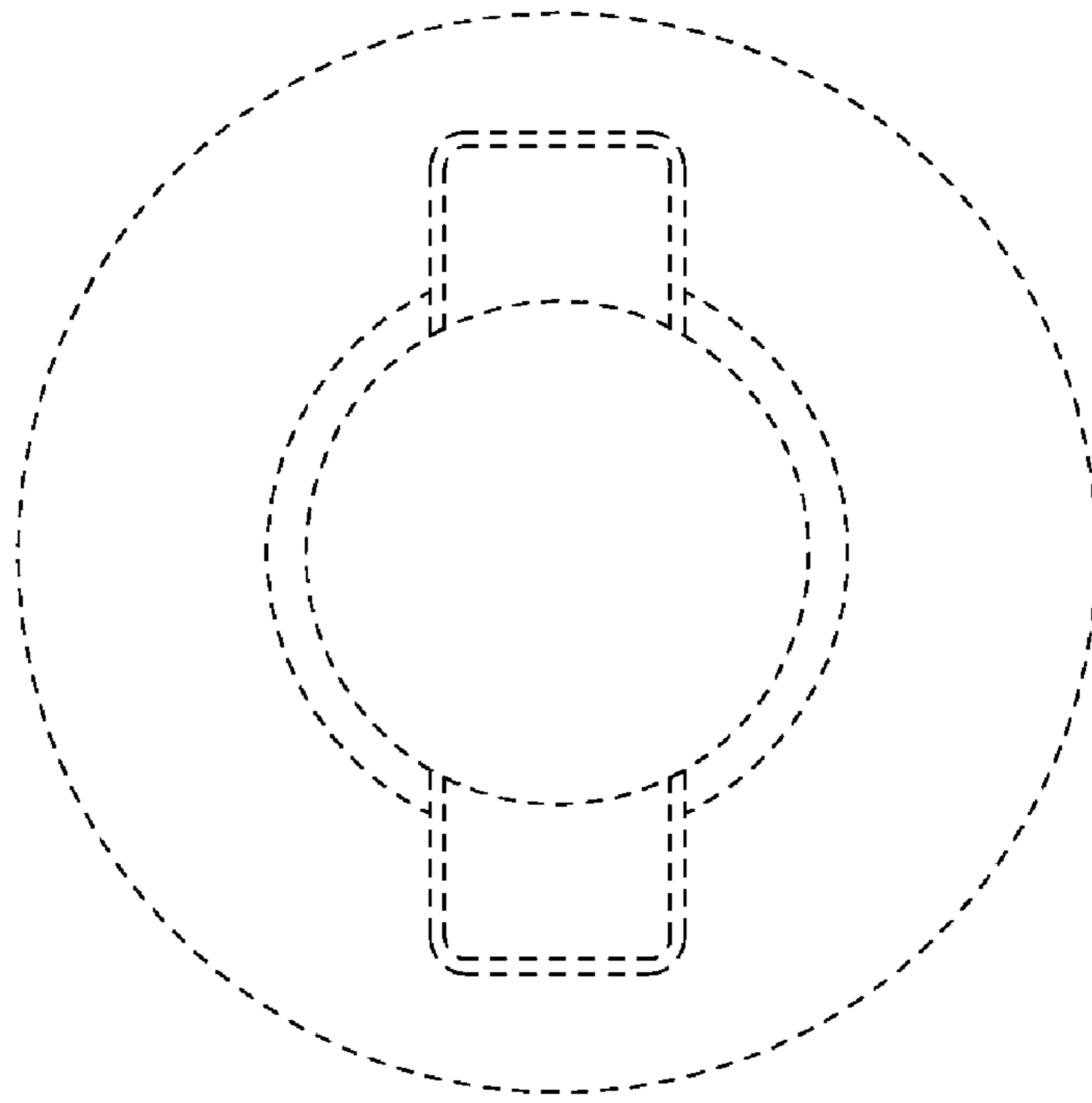


Fig. 4

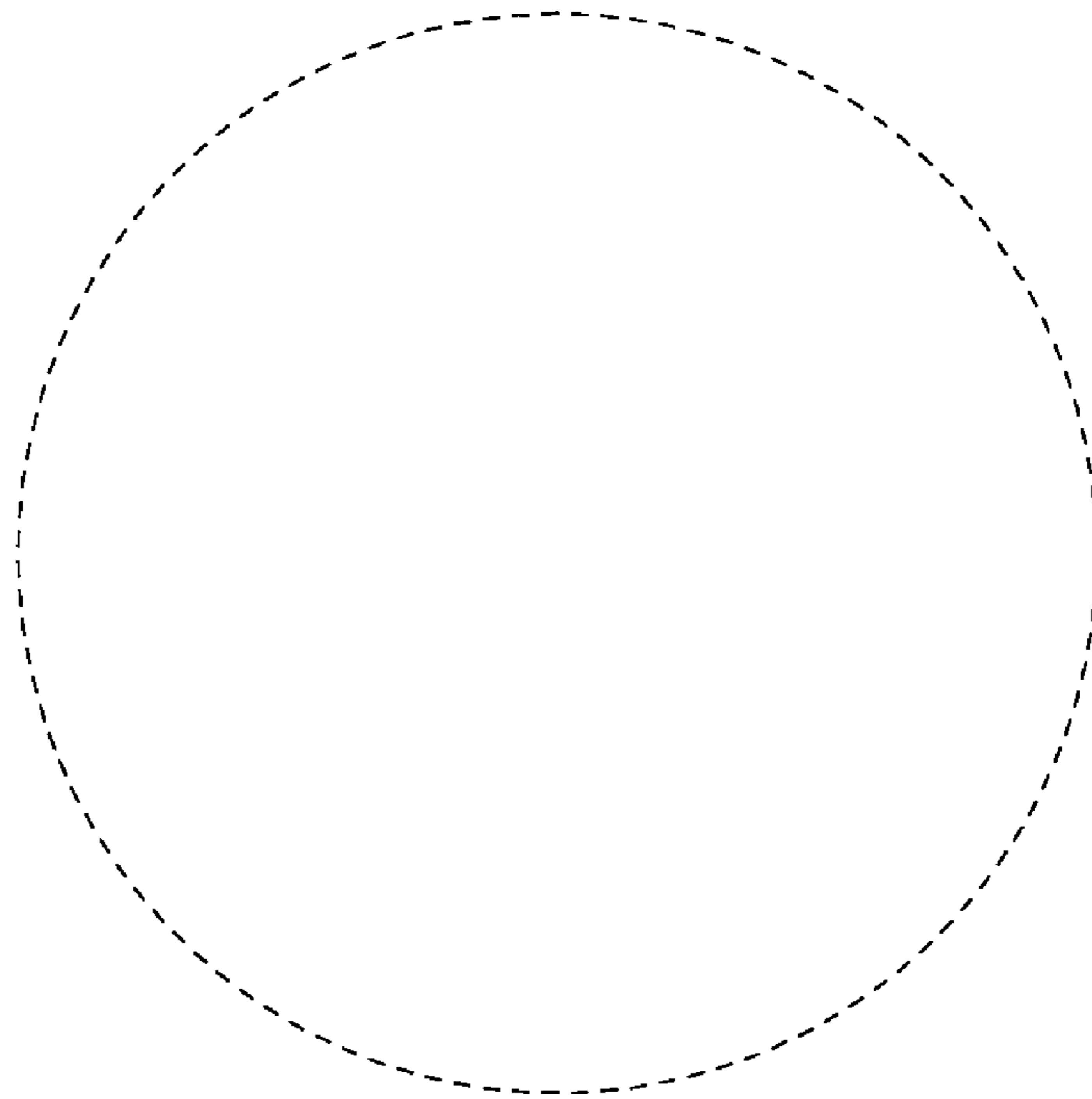


Fig. 5