



US00D555950S

(12) **United States Design Patent**  
**Hart**

(10) **Patent No.:** **US D555,950 S**

(45) **Date of Patent:** **\*\* Nov. 27, 2007**

(54) **CHAIR MOUNTABLE FOLDING TABLE**

(75) Inventor: **Robert D. Hart**, Red Lodge, MT (US)

(73) Assignee: **Crazy Creek Products, Inc.**, Red Lodge, MT (US)

(\*\*) Term: **14 Years**

(21) Appl. No.: **29/234,792**

(22) Filed: **Jul. 22, 2005**

(51) **LOC (8) Cl.** ..... **06-01**

(52) **U.S. Cl.** ..... **D6/509**

(58) **Field of Classification Search** ..... D6/334-338,  
D6/349, 355, 363, 364, 369-370, 381, 491,  
D6/500-502, 509, 511, 601; 297/16.1-16.2,  
297/116, 135, 154, 187, 158.3, 158.4, 158.5,  
297/184.1, 232, 244, 411.37, 440.1, 445.1;  
5/12.1, 655.3

See application file for complete search history.

(56) **References Cited**

**U.S. PATENT DOCUMENTS**

- 1,862,237 A \* 6/1932 Pepler ..... 108/49
- 1,925,246 A \* 9/1933 Hayes ..... 297/45
- 2,447,391 A \* 8/1948 Brandes et al. .... 297/45
- 2,703,265 A \* 3/1955 Wolfe ..... 248/214
- 2,994,366 A \* 8/1961 Hoch ..... 248/230.1
- 3,265,436 A \* 8/1966 La Bombard et al. .... 297/162
- 3,586,367 A \* 6/1971 Cincotta ..... 297/162
- 3,717,375 A \* 2/1973 Slobodan ..... 297/162
- 4,300,798 A \* 11/1981 Musgrove et al. .... 297/184.15

- D292,150 S \* 10/1987 Restin et al. .... D6/418
- 4,878,685 A \* 11/1989 Bahm ..... 280/304.1
- D355,743 S \* 2/1995 Hammack et al. .... D34/24
- 5,873,624 A \* 2/1999 Simpson ..... 297/45
- 6,364,411 B1 \* 4/2002 Zheng ..... 297/173
- 6,899,386 B2 \* 5/2005 Anton ..... 297/174 R
- D522,263 S \* 6/2006 Hart ..... D6/368
- 7,100,977 B2 \* 9/2006 Burwell et al. .... 297/170
- D536,886 S \* 2/2007 Hart ..... D6/336

\* cited by examiner

*Primary Examiner*—Sandra Snapp

(74) *Attorney, Agent, or Firm*—Blackwell Sanders LLP

(57) **CLAIM**

The ornamental design for a chair mountable folding table, as shown and described.

**DESCRIPTION**

FIG. 1 is a perspective view of the design of a chair mountable folding table;

FIG. 2 is a right side elevational view thereof;

FIG. 3 is a left side elevational view thereof;

FIG. 4 is a front elevational view thereof;

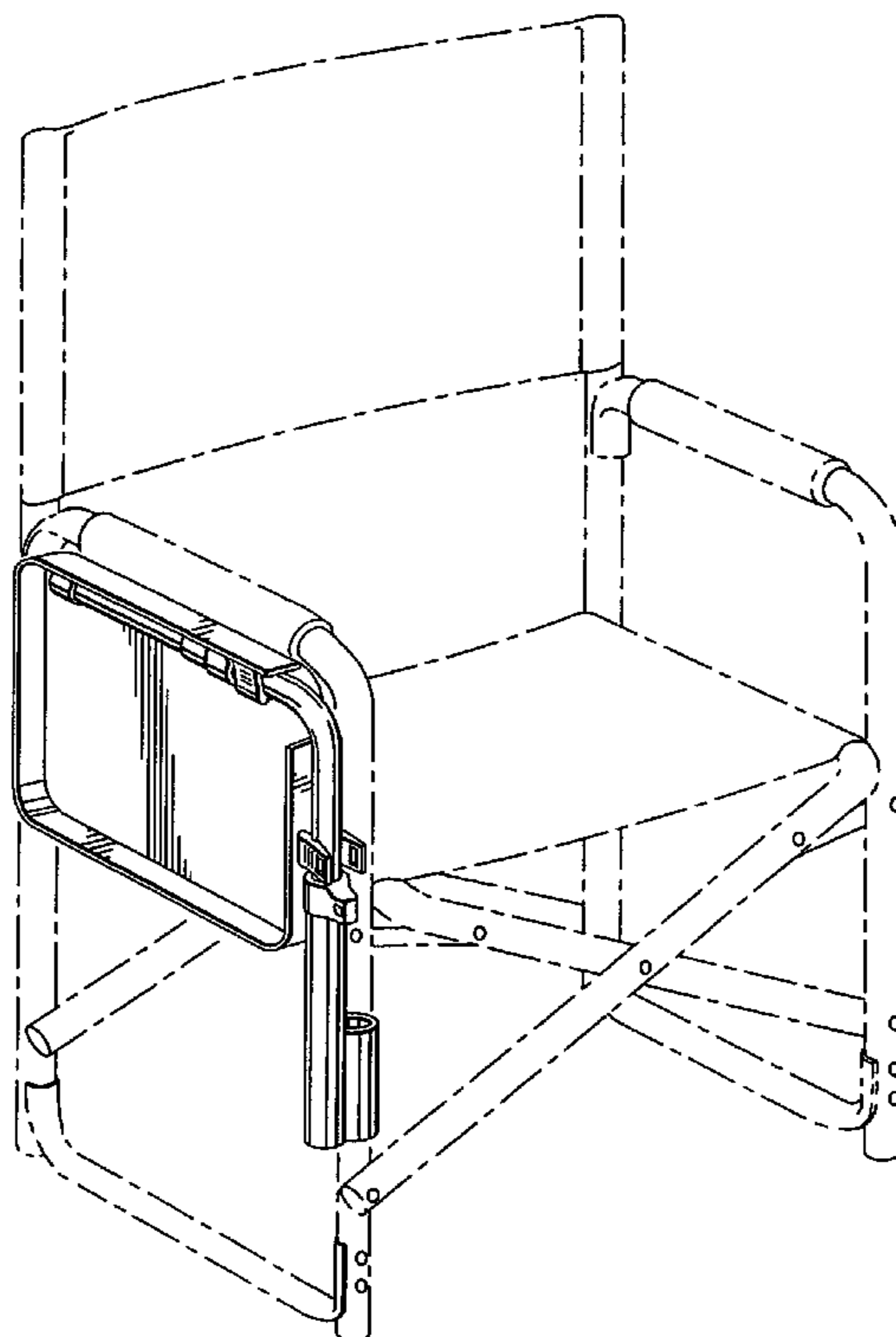
FIG. 5 is a rear elevational view thereof;

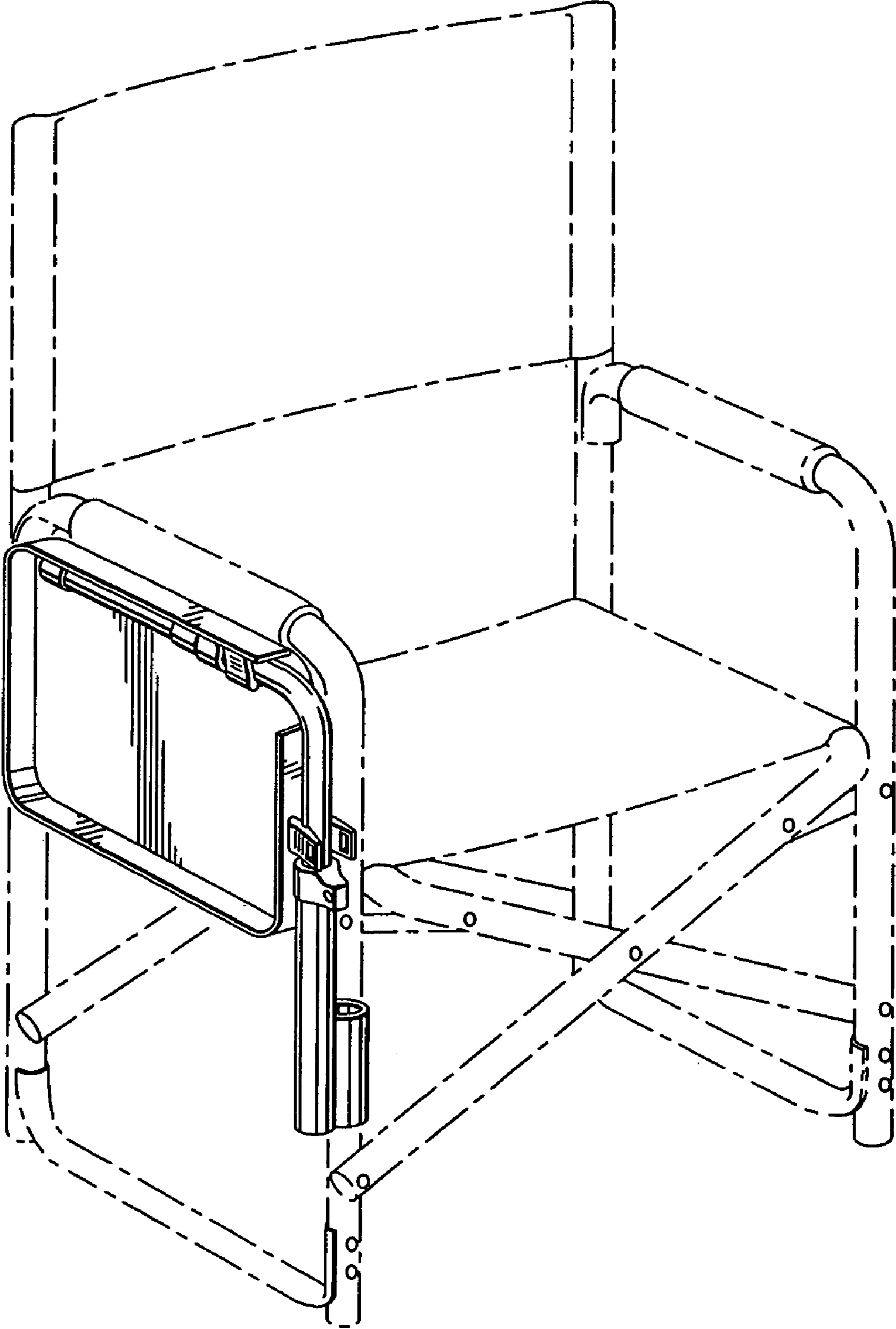
FIG. 6 is a top plan view thereof; and,

FIG. 7 is a bottom plan view thereof.

The portions shown in broken lines are for illustrative purposes only and form no part of the claimed design.

**1 Claim, 4 Drawing Sheets**





**FIG. 1.**

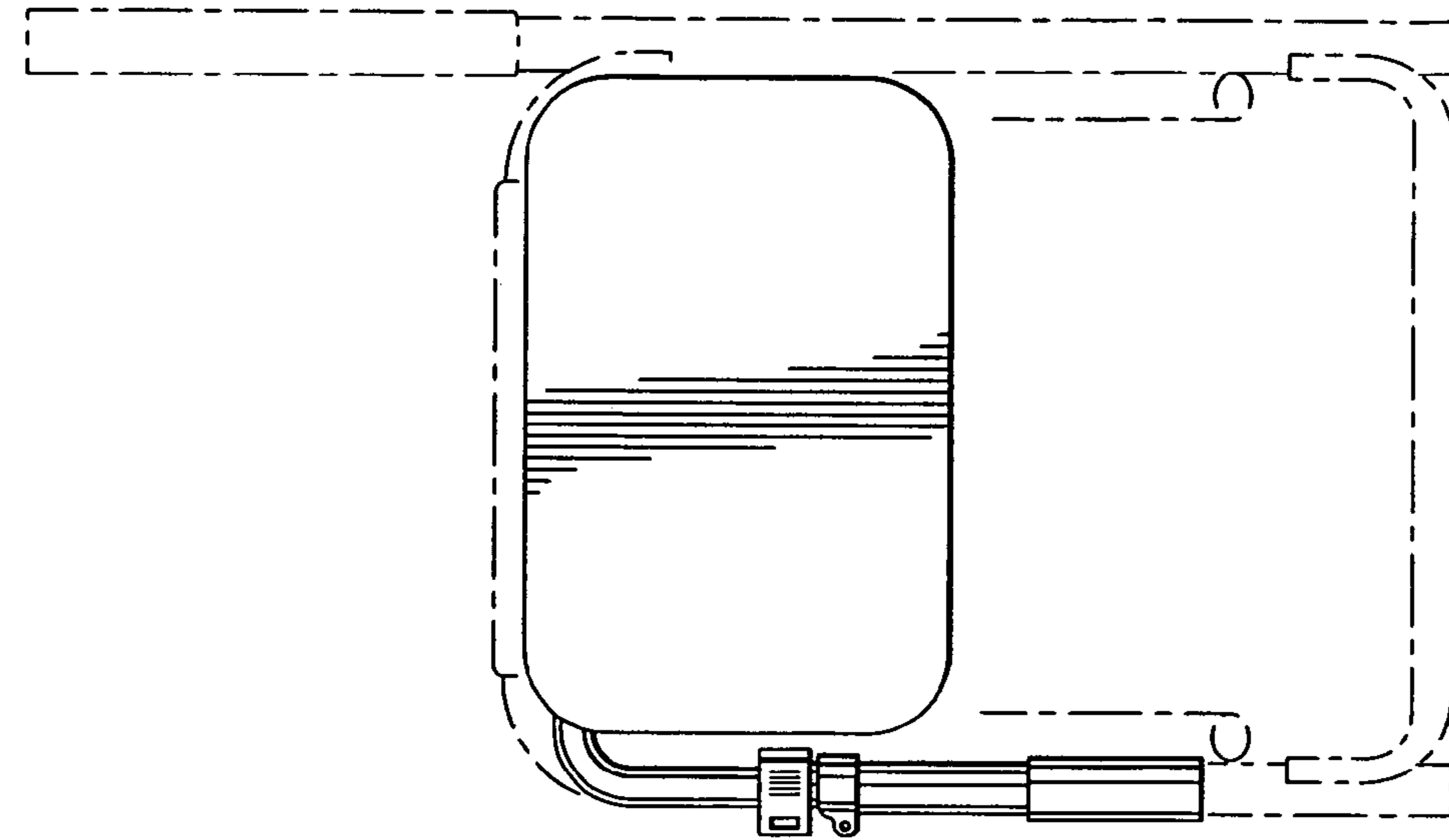


FIG. 2.

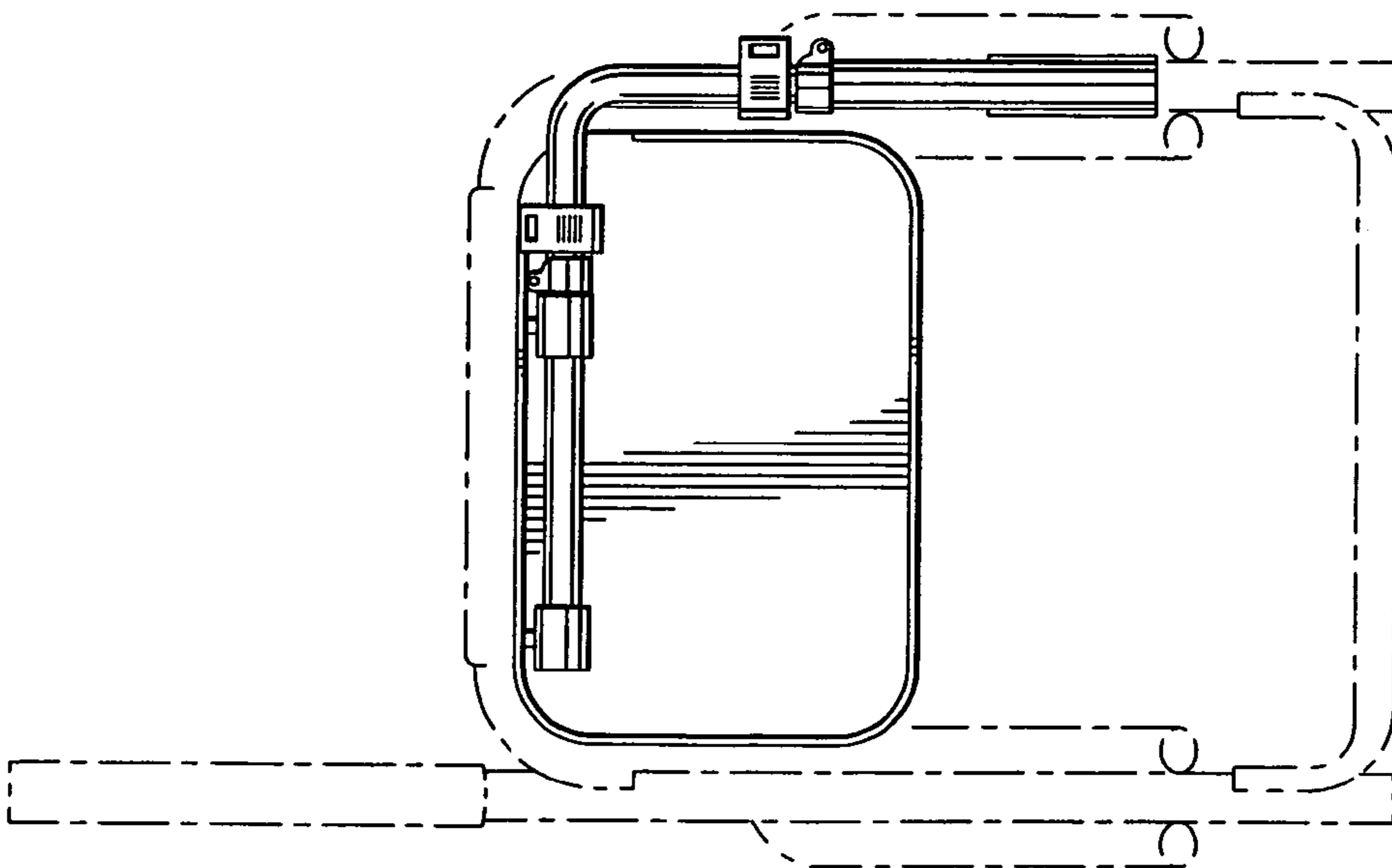


FIG. 3.

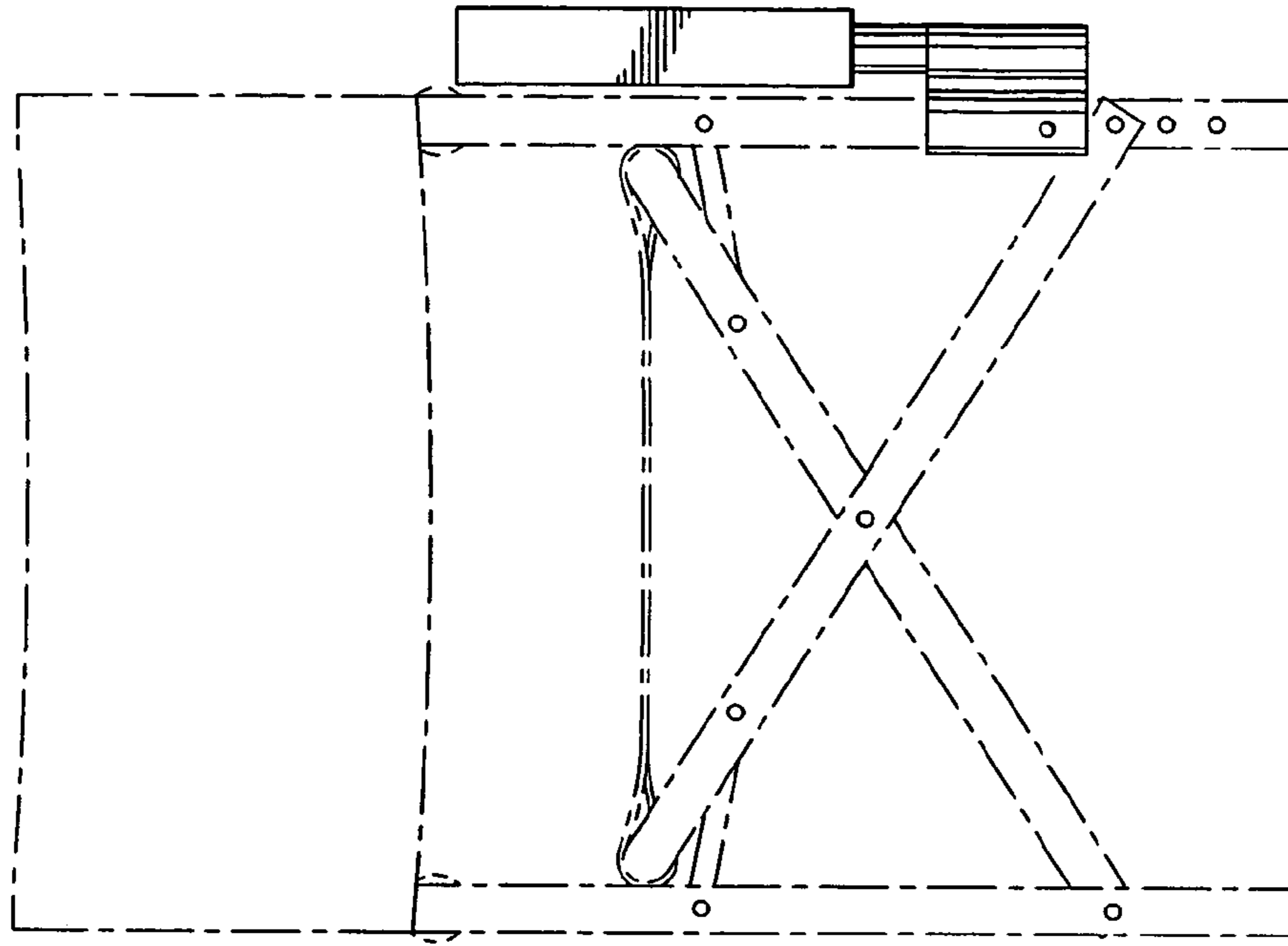


FIG. 4.

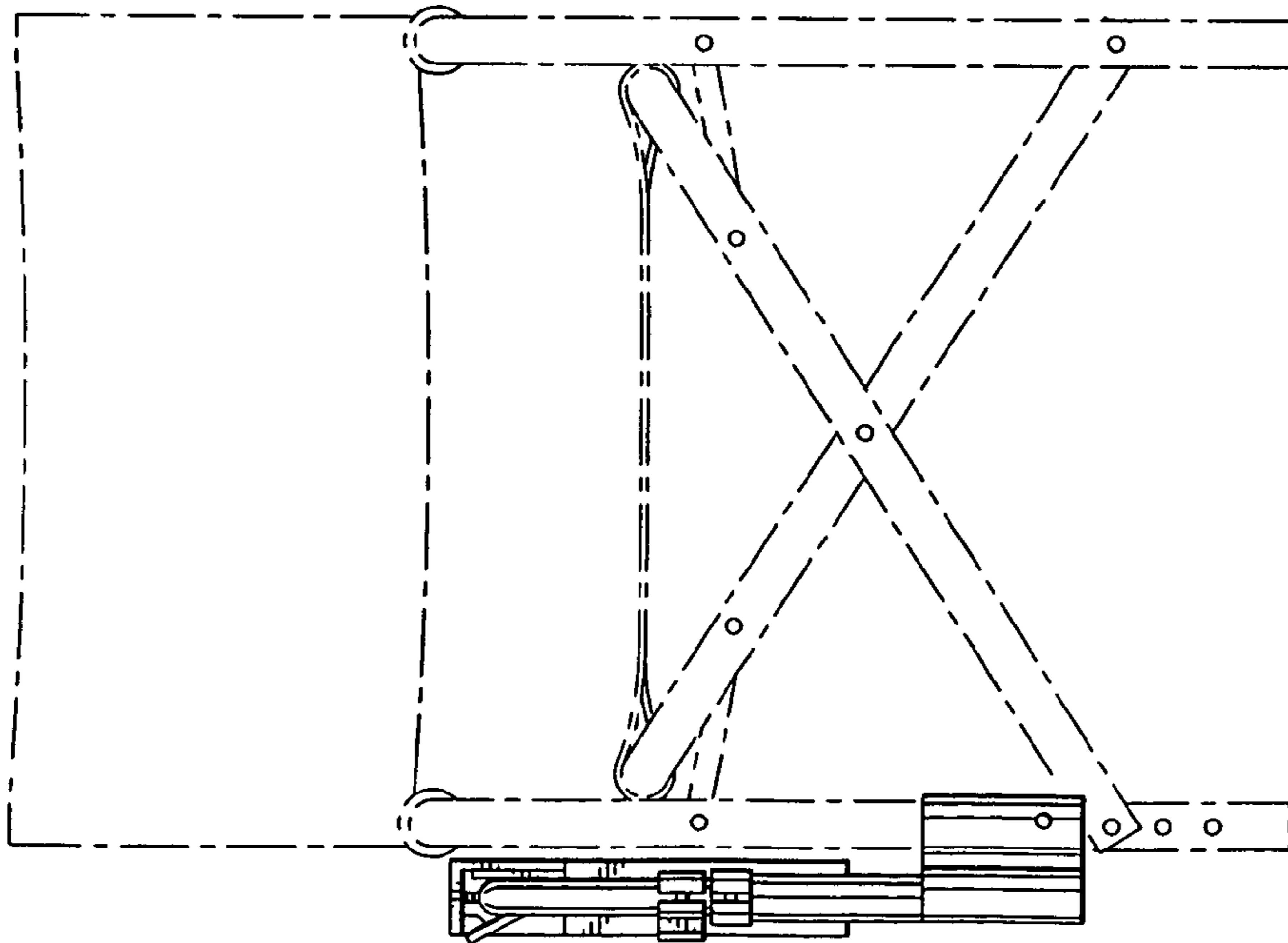


FIG. 5.

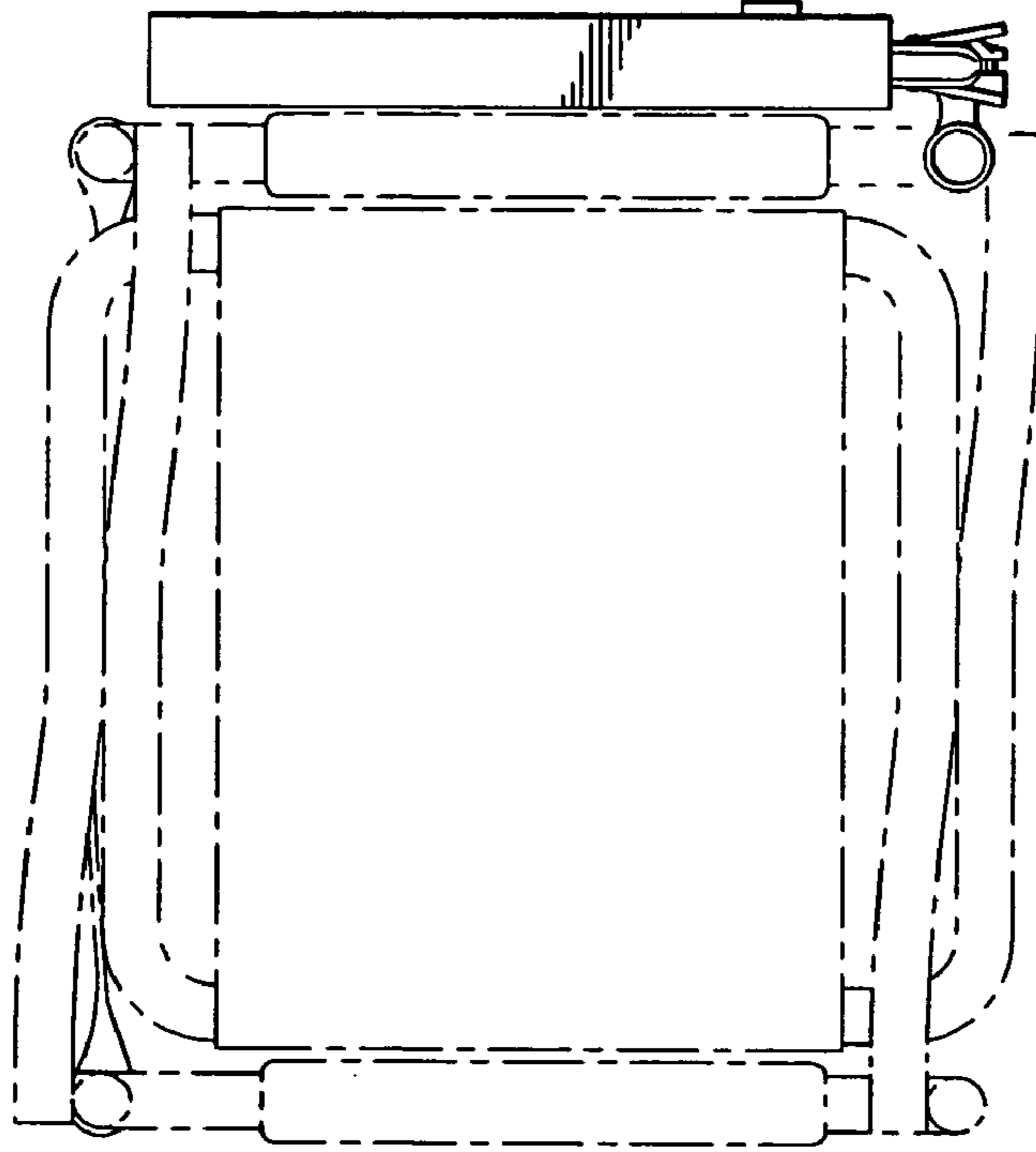


FIG. 7.

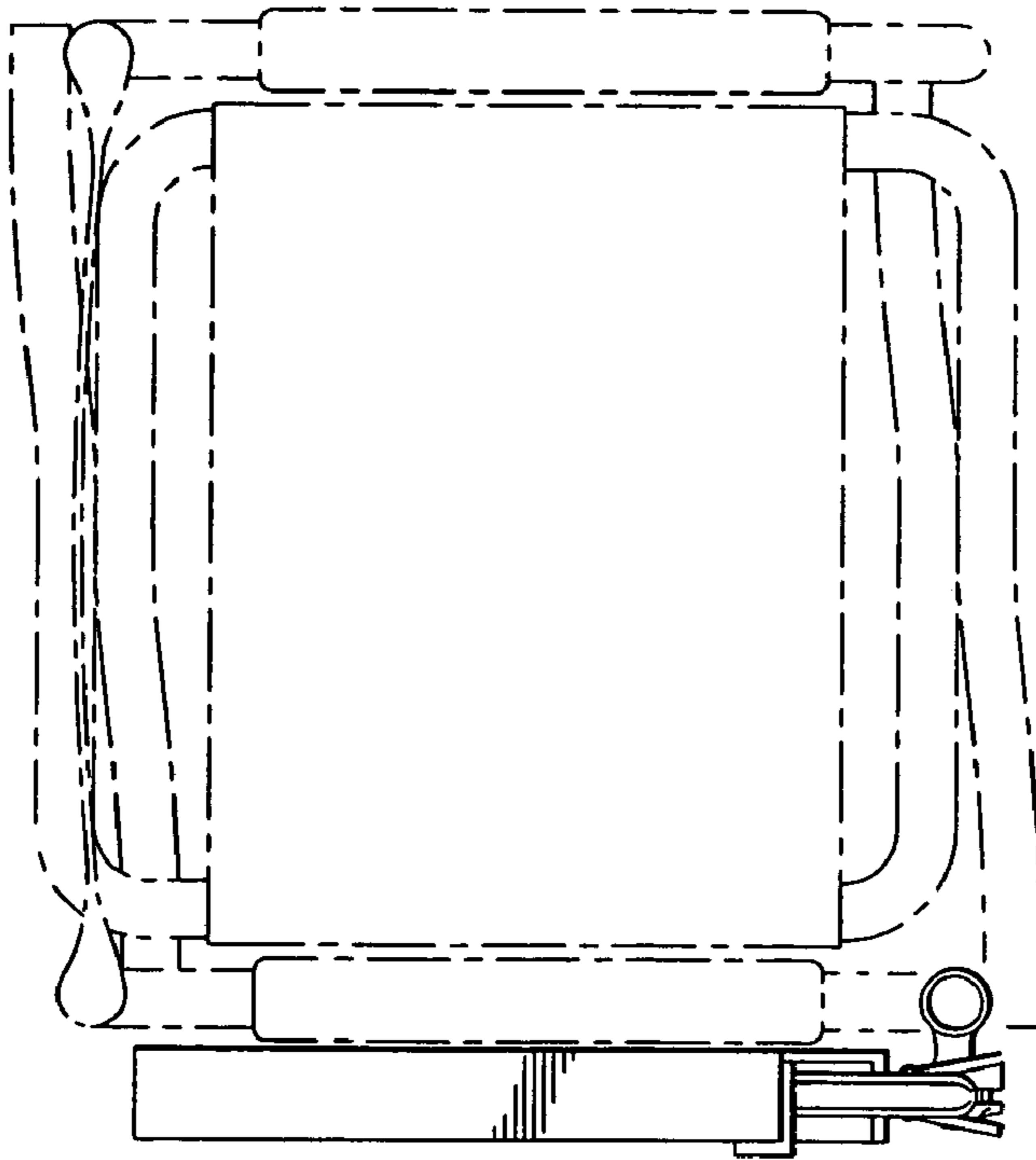


FIG. 6.